

28 ELECTRICAL SERVICE UNIT (LESU)
FOR SEQUENCE SELECTOR
PARTS

FIGURE	CONTENTS	PAGE
1	Container and Components	2
2	152623 Line Relay Mounting Assembly	3
3	162361 Rectifier Assembly	4
4	Cable Components	4
	Numerical Index	5

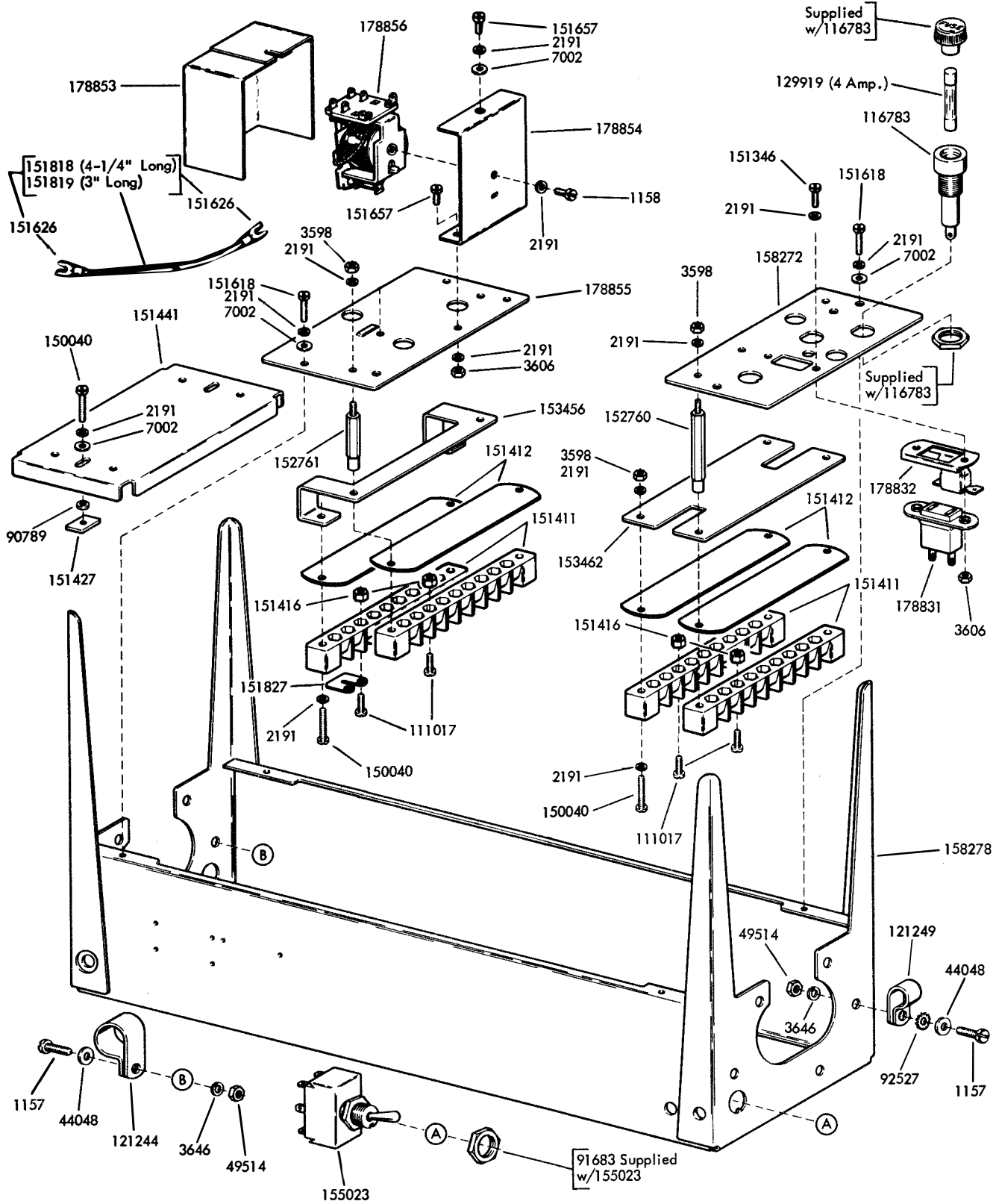


FIGURE 1. CONTAINER AND COMPONENTS

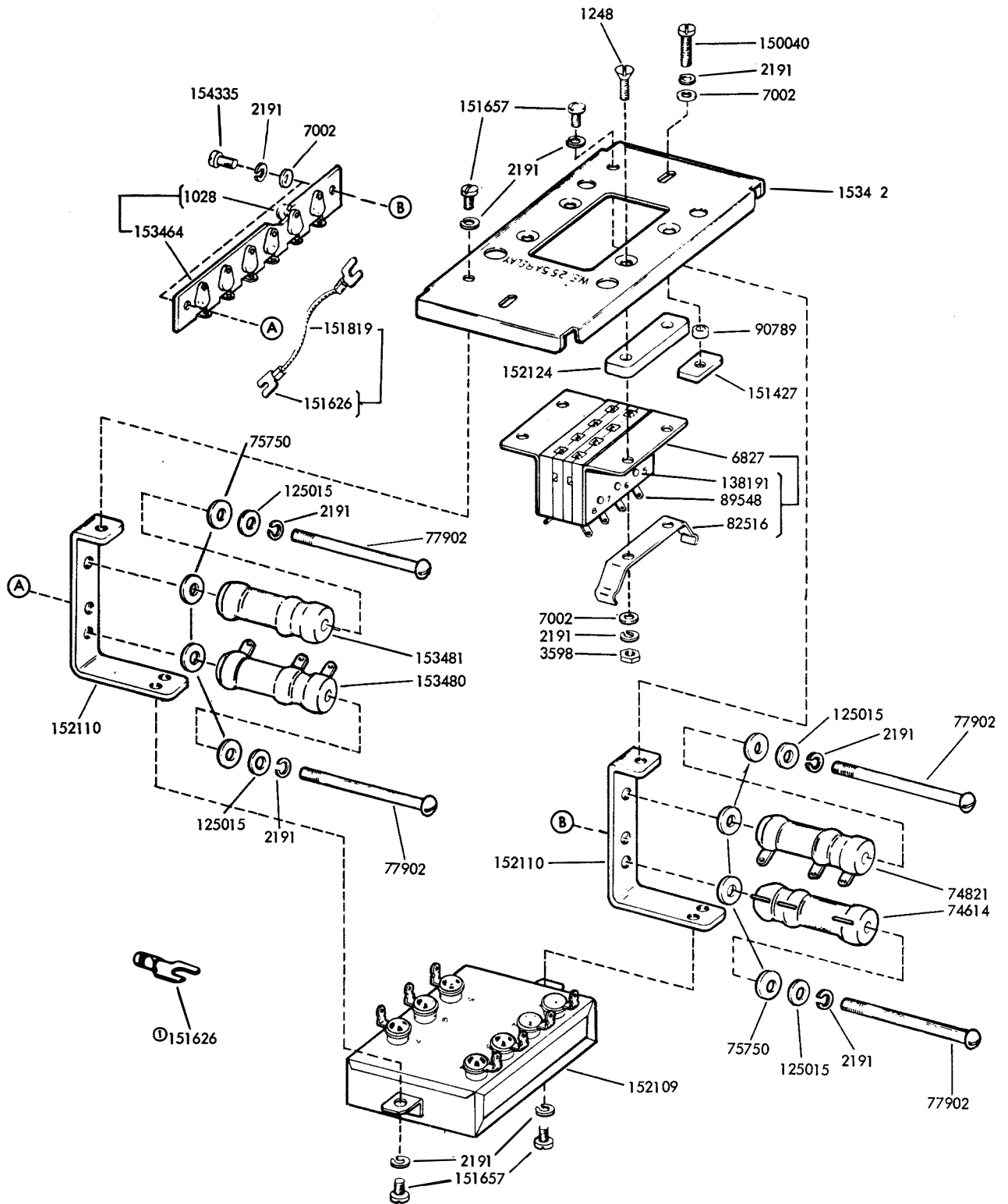


FIGURE 2. 152623 LINE RELAY MOUNTING ASSEMBLY

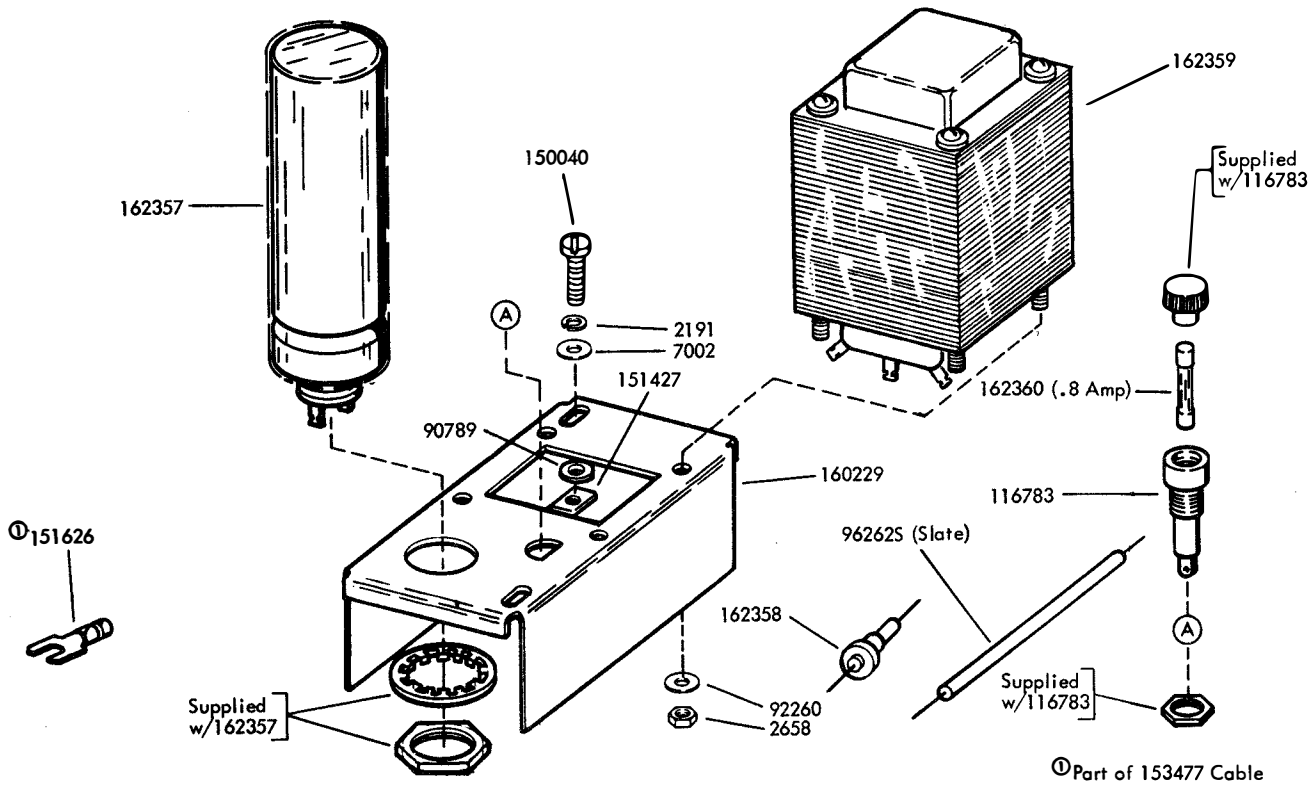


FIGURE 3. 162361 RECTIFIER ASSEMBLY

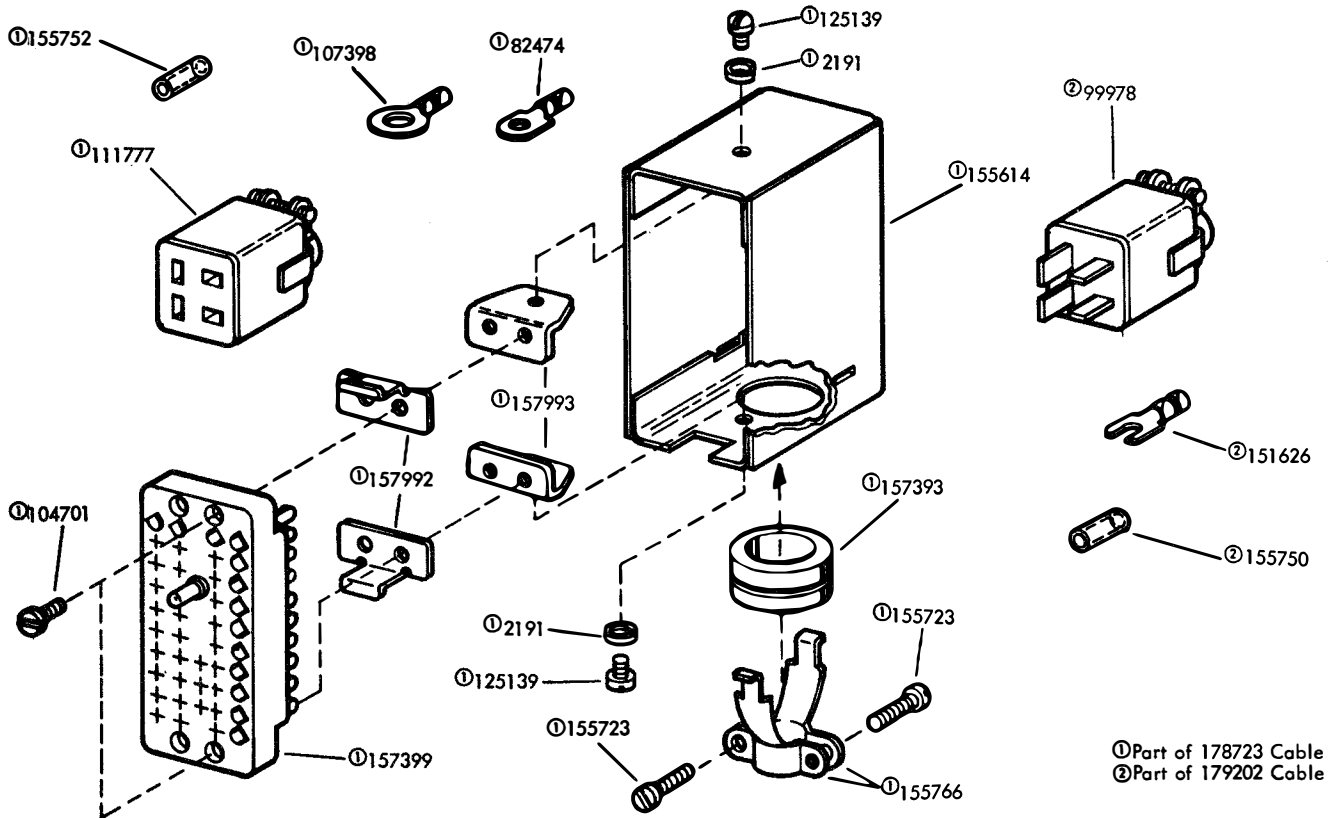


FIGURE 4. CABLE COMPONENTS

NUMERICAL INDEX

Part Number	Description and Page Number	Part Number	Description and Page Number	Part Number	Description and Page Number
1028	Screw (4-40 x 1/4 Fil) 3	121249	Clamp, Cable (5/8" ID) 2	153482	Plate, Relay 3
1157	Screw (8-32 x 1/2 Fil) 2	125015	Washer, Flat 3	154335	Screw (6-40 x 9/32 Fil) 3
1158	Screw (6-32 x 5/16 Fil) 2	125139	Screw (4-40 x 1/8 Fil) 4	155023	Switch, Toggle (DP-DT) 2
1248	Screw (6-40 x 1/2 Flat) 3	129919	Fuse (4 Amp) 2	155614	Cover 4
2191	Washer, Lock 2, 3, 4	138191	Screw (3-48 x 1" Rd) 3	155723	Screw (4-48 x 1/2 Fil) 4
2658	Nut (6-32 Hex) 4	150040	Screw (6-40 x 5/8 Fil) 2, 3, 4	155750	Sleeve, Insulating (3/32 ID x 1/2" Lg) 4
3598	Nut (6-40 Hex) 2, 3	151346	Screw (6-40 x 3/8 Fil) 2	155752	Sleeve Insulating (5/64 ID x 1/2" Lg) 4
3606	Nut (6-40 Hex) 2	151411	Block, Terminal 2	155766	Clamp, Cable 4
3646	Washer, Lock 2	151412	Insulator (1-9) 2	157393	Grommet, Rubber 4
6827	Block 3	151416	Nut (6-40 Hex) 2	157399	Connector, Receptacle (35 Pt) 4
7002	Washer, Flat 2, 3, 4	151427	Plate, Clamp 2, 3, 4	157992	Bracket 4
44048	Washer, Flat 2	151441	Plate, Blank (2-3/4" Wide) 2	157993	Bracket 4
49514	Nut (8-32 Hex) 2	151618	Screw (6-40 x 7/16 Fil) 2	158272	Plate, Right Mounting 2
74614	Resistor (2600 Ohm) 3	151626	Terminal 2, 3, 4	158278	Container 2
74821	Resistor (2810 Ohm) 3	151657	Screw (6-40 x 1/4 Fil) 2, 3	160229	Plate, Mounting 4
75750	Washer, Insulating 3	151818	Jumper (4-1/4" Black) 2	162357	Capacitor (500 MFD) 4
77902	Screw (6-40 x 2-3/8 Rd) 3	151819	Jumper (3" Black) 2, 3	162358	Diode 4
82474	Terminal 4	151827	Strap, Terminal 2	162359	Transformer, Power 4
82516	Spring, Retaining 3	152109	Filter 3	162360	Fuse (.8 Amp) 4
89548	Spring, Contact 3	152110	Bracket, Resistor Mounting 3	162361	Rectifier Assembly 4
90789	Washer, Flat 2, 3, 4	152124	Spacer 3	178723	Cable Assembly 4
91683	Nut (15/32-32 Hex) 2	152623	Mounting Assembly, Line Relay 3	178831	Connector, Receptacle (2 Pt) 2
92260	Washer, Lock 4	152760	Stud 2	178832	Plate, Adapter 2
92527	Washer, Lock 2	152761	Stud 2	178853	Cover, Relay 2
96262S	Jumper (4" Slate) 4	153456	Bracket 2	178854	Bracket, Relay 2
99978	Connector, Plug (4 Pt) 4	153462	Plate 2	178855	Plate, Left 2
104701	Screw (4-40 x 9/32 Fil) 4	153464	Block, Terminal 3	178856	Relay, Line Stunt 2
107398	Terminal 4	153475	Cable w/Terminal 3	179202	Cable Assembly 4
111017	Screw (6-40 x 5/16 Fil) 2	153477	Cable w/Terminal 4		
111777	Connector, Receptacle (4 Pt) 4	153480	Resistor (6750 Ohm) 3		
116783	Holder, Fuse 2, 4	153481	Resistor (5800 Ohm) 3		
121244	Clamp, Cable (1/4" ID) 2				

