

28 TELETYPEWRITER CABINETS
LUBRICATION

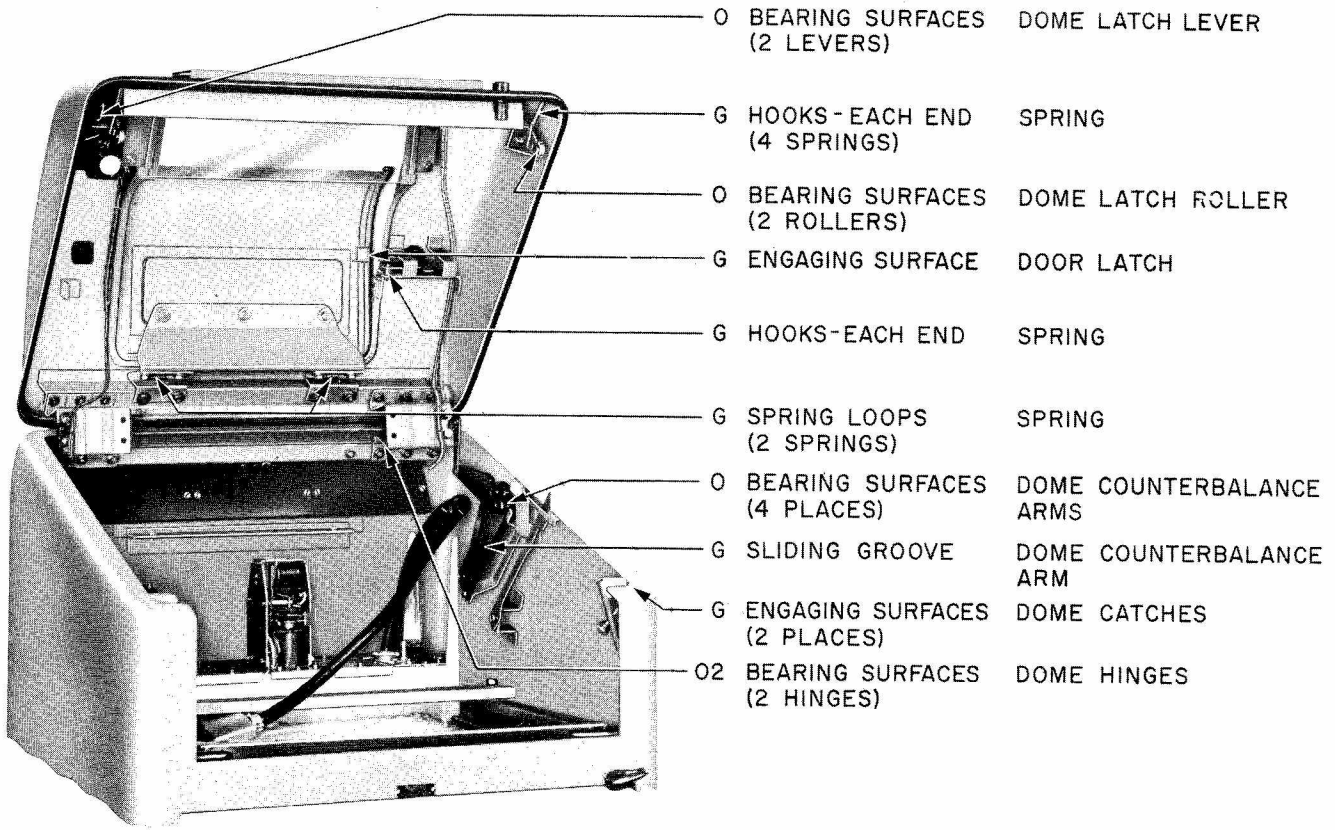
| CONTENTS | PAGE |
|---|------|
| 1. GENERAL | 1 |
| 2. LUBRICATION DETAILS | 1 |
| 28A to 28E cabinets | 2 |
| 28F and 28G cabinets | 3 |
| Copyholder and line guide | 4 |
| End-of-form alarm | 5, 6 |
| Low-paper and paper-out switch assembly | 6 |

1. GENERAL

- 1.01 This section contains the detailed lubrication procedures for 28 teletypewriter cabinets.
- 1.02 This section is reissued to add the lubrication procedures for the low-paper and paper-out switch assembly used with the 28 teletypewriter cabinet, if the cabinet is so equipped.
- 1.03 The general routines for maintaining this apparatus, the tools and lubricants to be used, and their methods of application are the same as those shown in the sections giving general maintenance information for teletypewriter apparatus.
- 1.04 The lubrication symbols used in this section are the same as those given in the general section except that the symbol O is used in this section to mean only one drop of oil, and O2 or O3 to mean two or three drops of oil respectively.

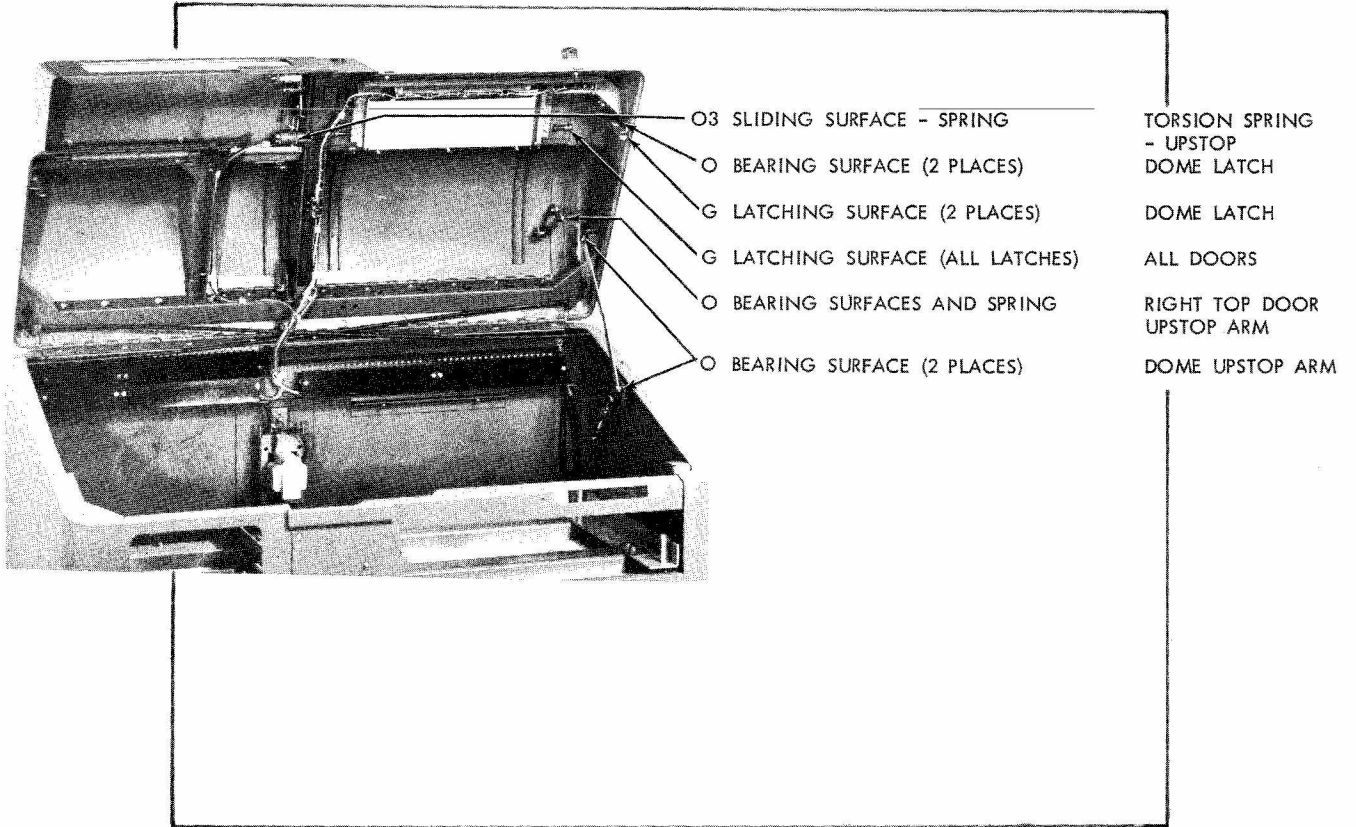
2. LUBRICATION DETAILS

2.01 28A to 28E Cabinets

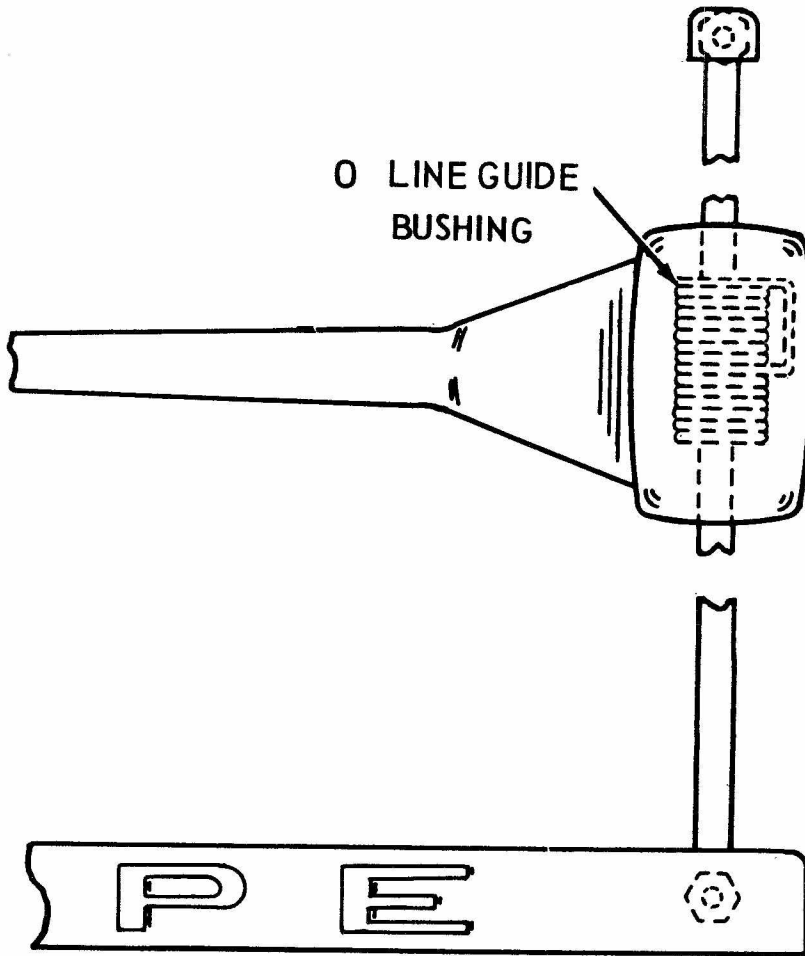


- | | |
|-----------------------------------|-----------------------------|
| O BEARING SURFACES (2 LEVERS) | DOME LATCH LEVER |
| G HOOKS - EACH END (4 SPRINGS) | SPRING |
| O BEARING SURFACES (2 ROLLERS) | DOME LATCH ROLLER |
| G ENGAGING SURFACE | DOOR LATCH |
| G HOOKS-EACH END | SPRING |
| G SPRING LOOPS (2 SPRINGS) | SPRING |
| O BEARING SURFACES (4 PLACES) | DOME COUNTERBALANCE ARMS |
| G SLIDING GROOVE | DOME COUNTERBALANCE ARM |
| G ENGAGING SURFACES (2 PLACES) | DOME CATCHES |
| O2 BEARING SURFACES (2 HINGES) | DOME HINGES |

2.02 28F and 28G Cabinets

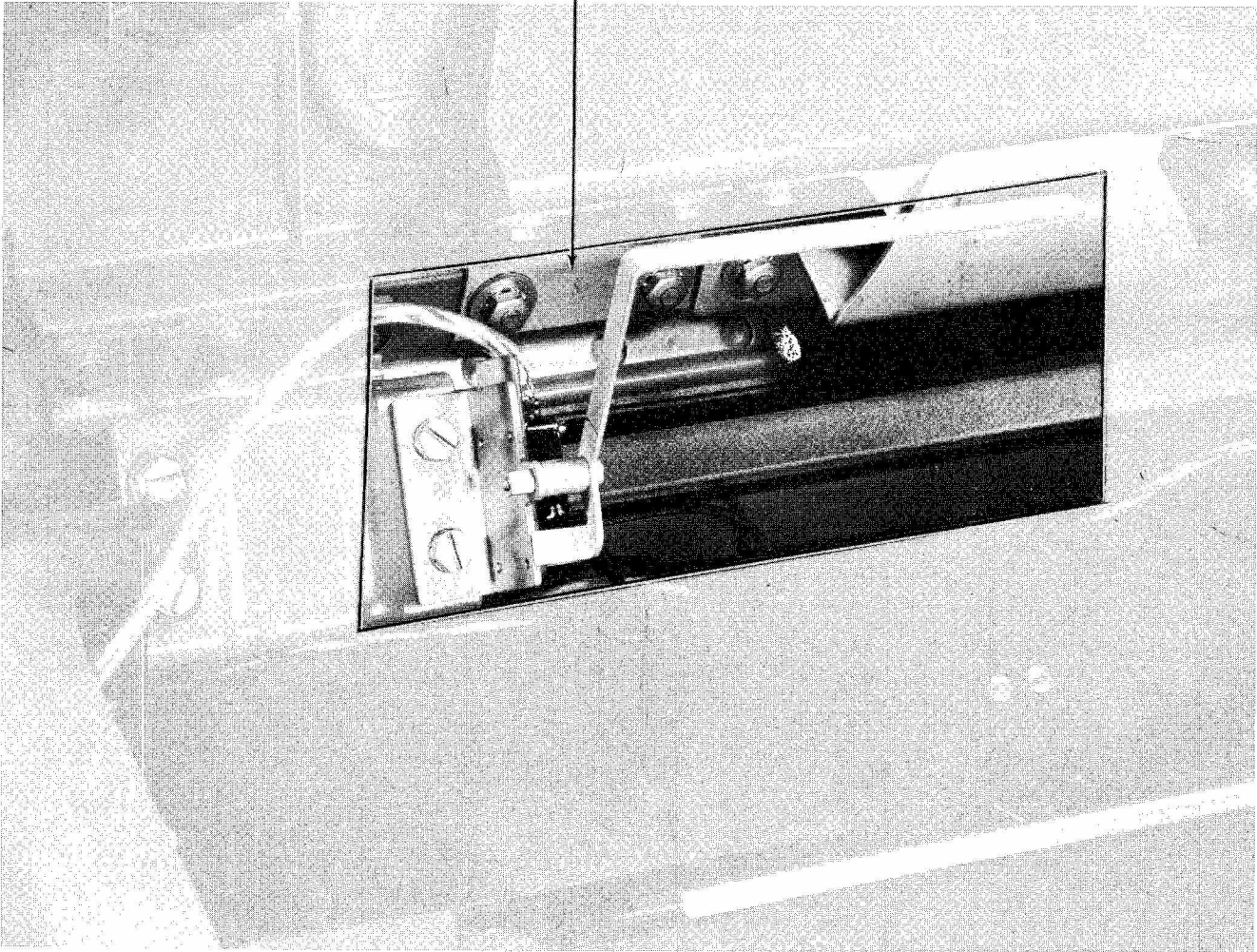


2.03 Copyholder and line guide (Variable Feature)

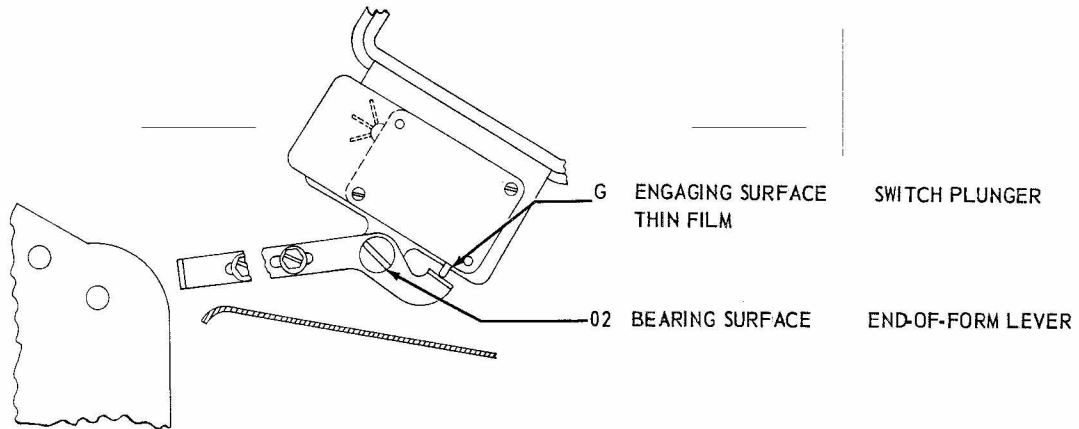


2.04 End-of-form Alarm (Variable Feature)

END-OF-FORM ALARM



2.05 End-of-form Alarm



2.06 Low-paper and Paper-out Switch Assembly (Variable Feature)

