

28 TYPING REPERFORATOR
CABINETS, TABLES, AND COVERS
WIRING DIAGRAM

1. GENERAL

1.01 This section shows the wiring of the 28A typing reperforator cabinet for mounting four monitoring typing reperforators, and the 28A-1 typing reperforator cabinet for mounting six typing reperforators.

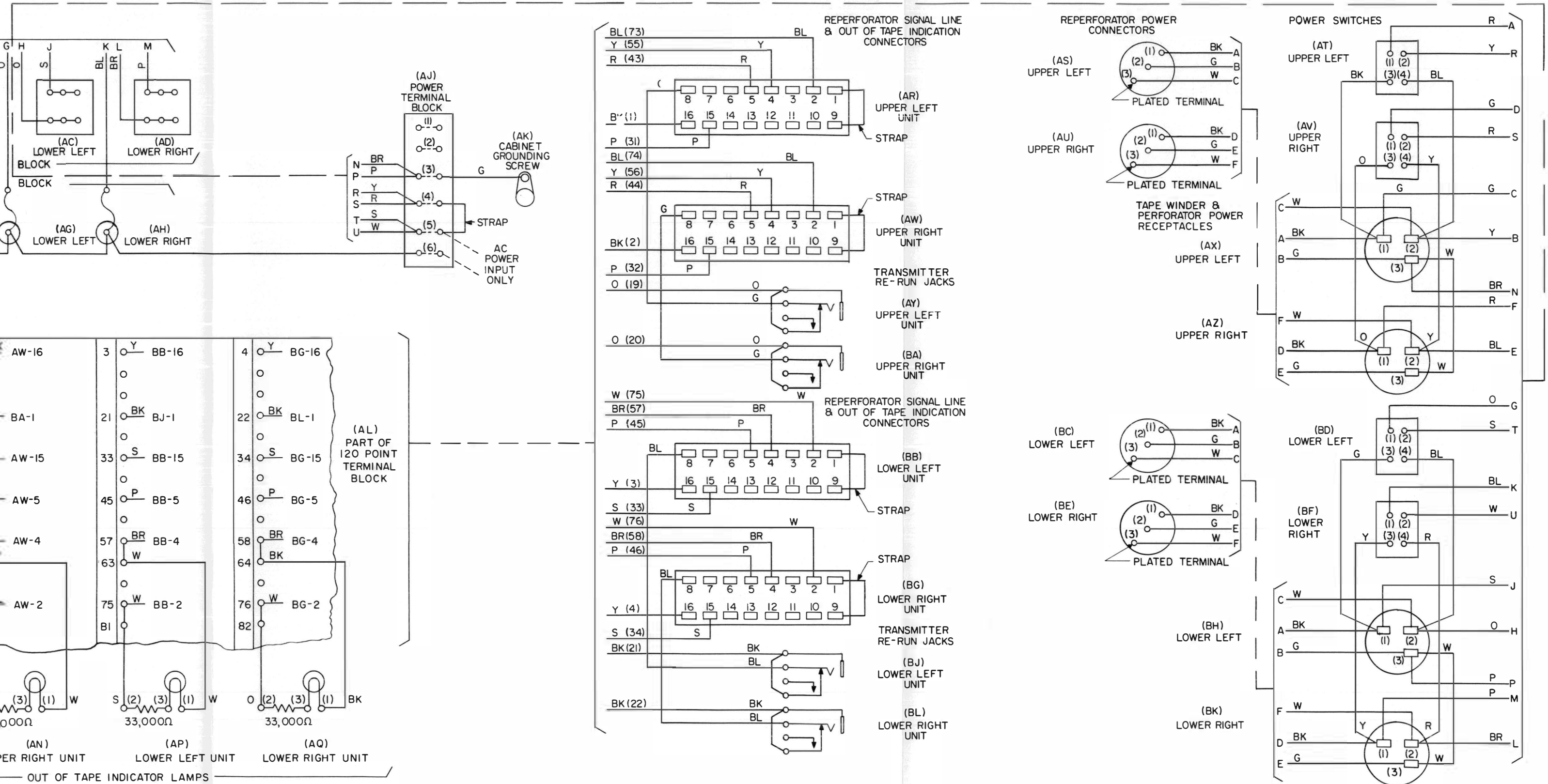
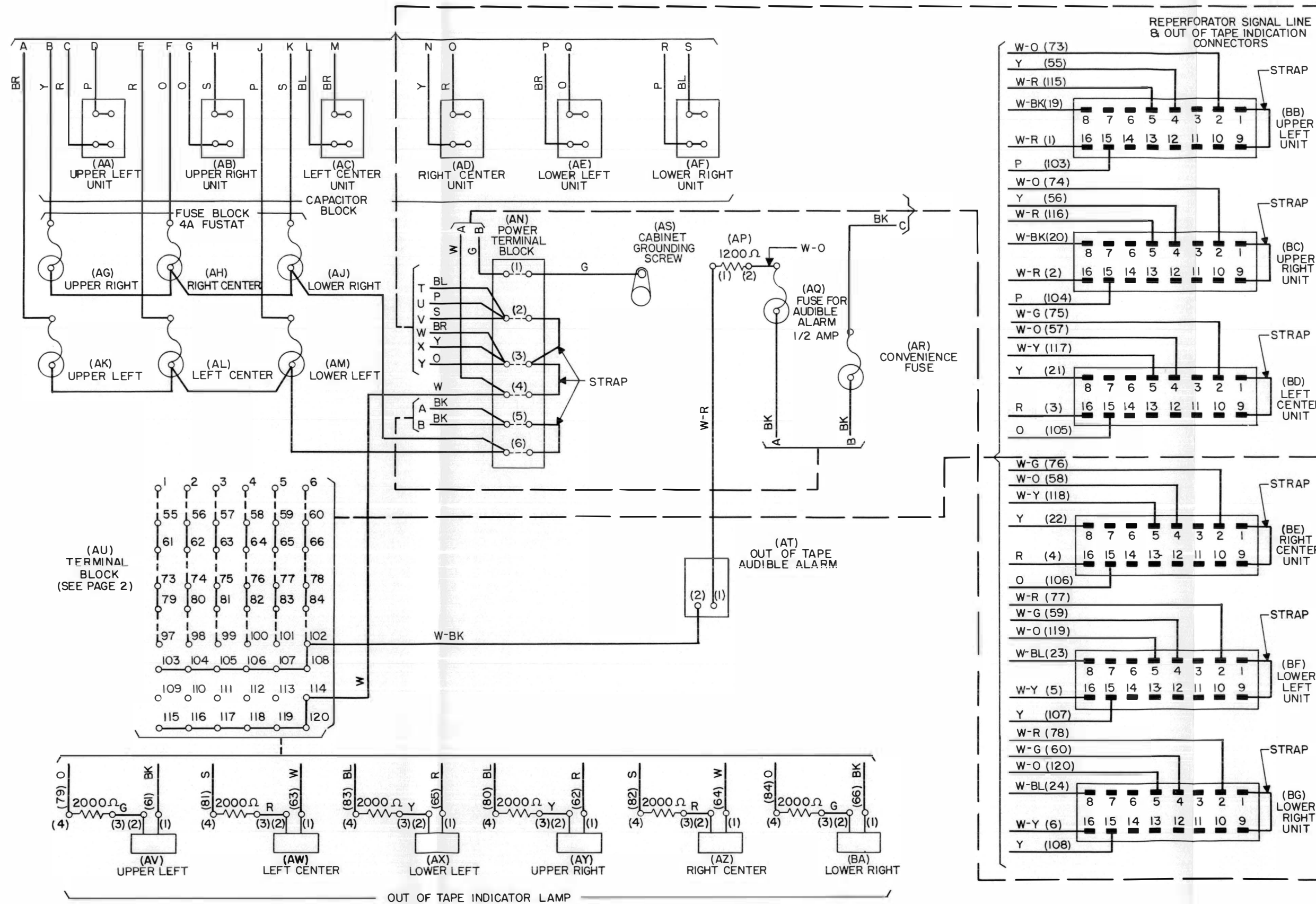


Figure 1 - 28A Typing Reperforator Cabinet



(AU) TERMINAL BLOCK (SEE PAGE 2)

OUT OF TAPE INDICATOR LAMP

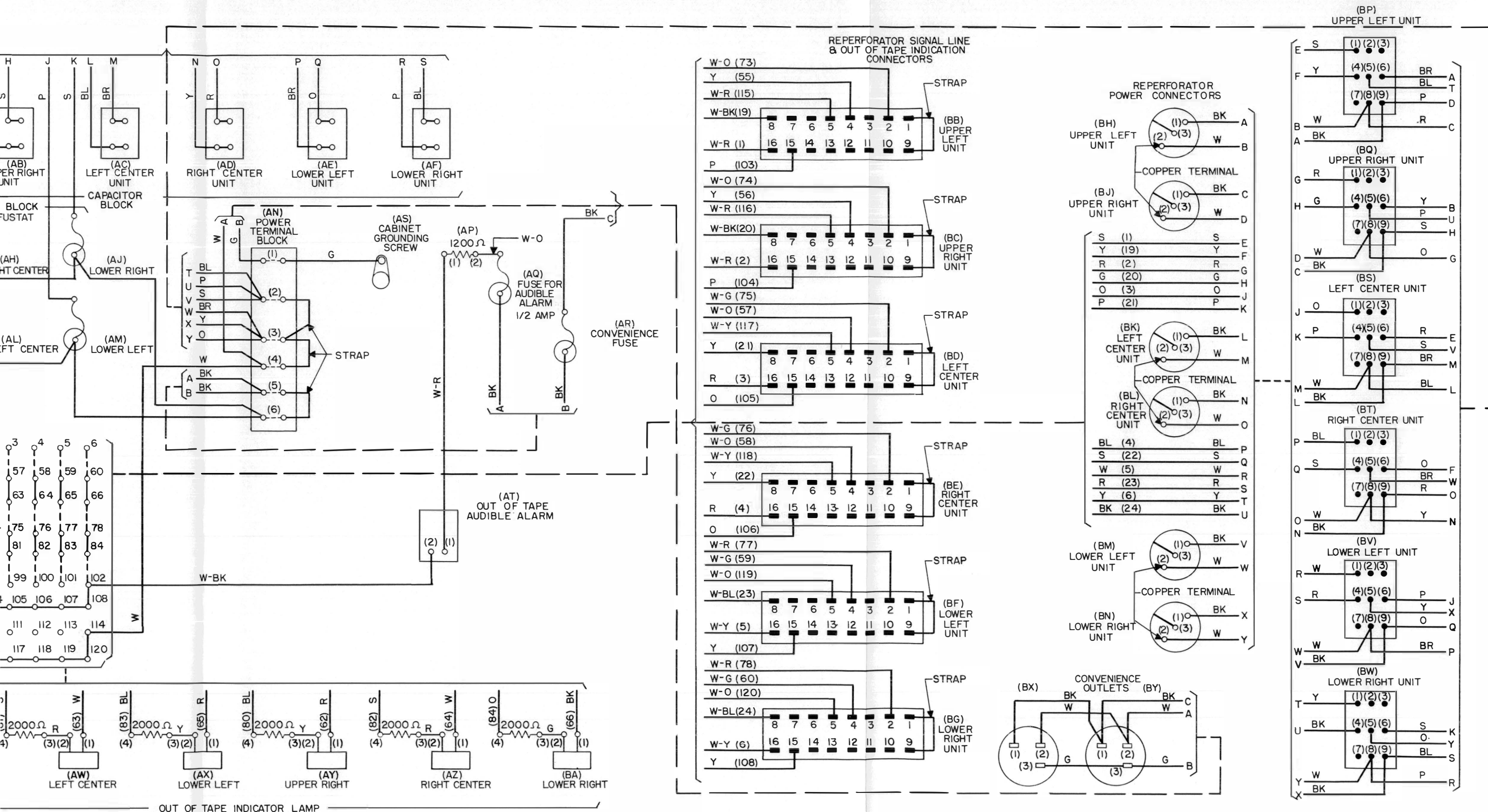
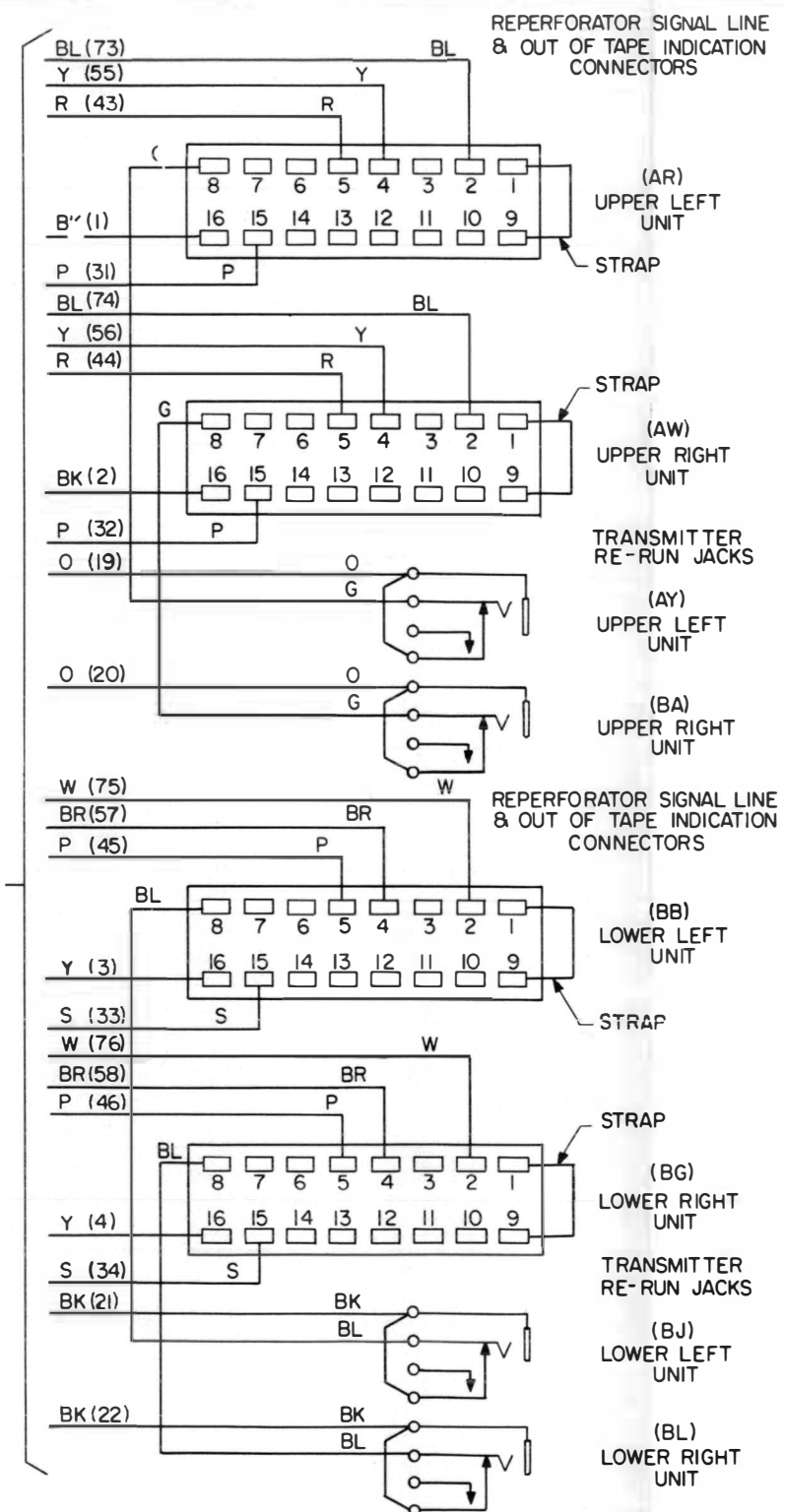
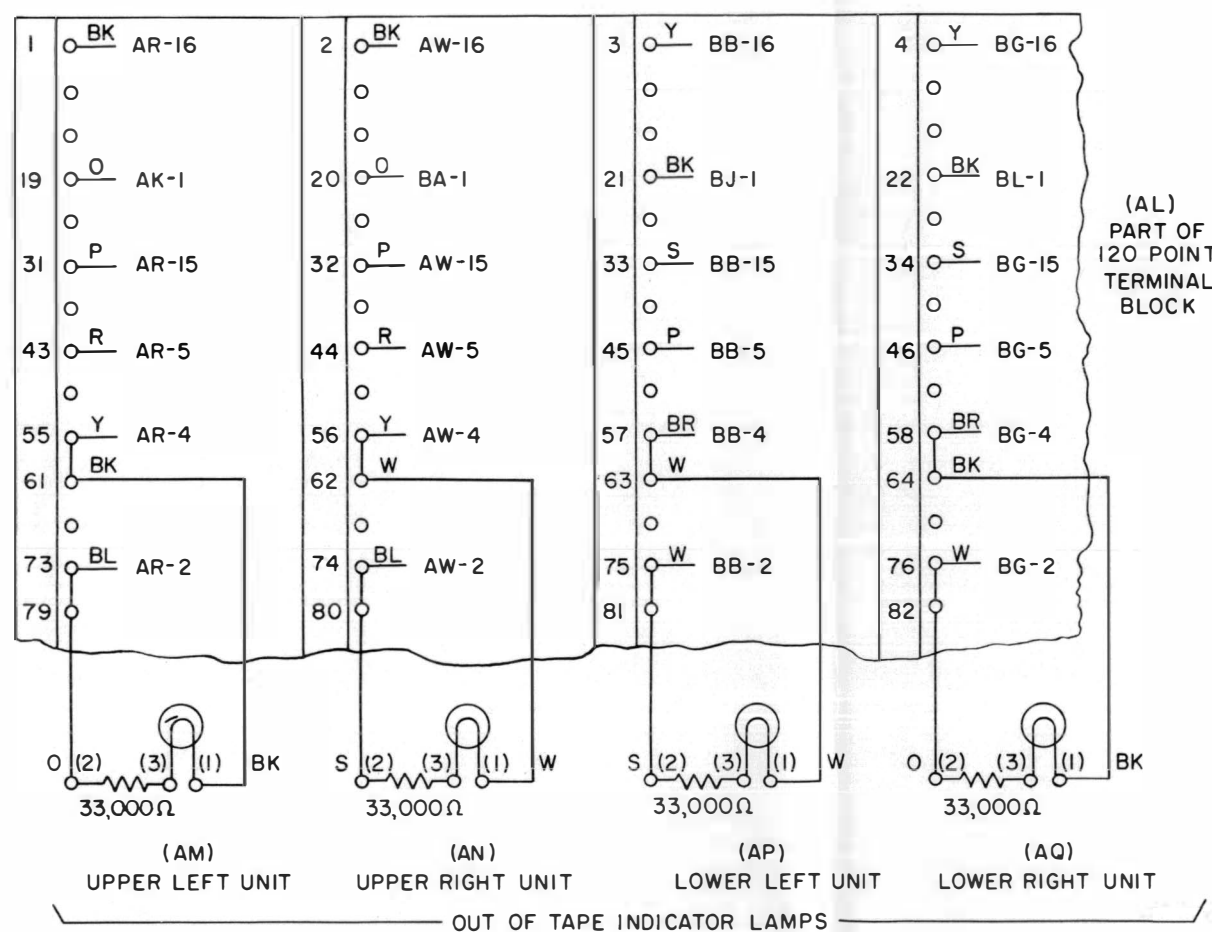
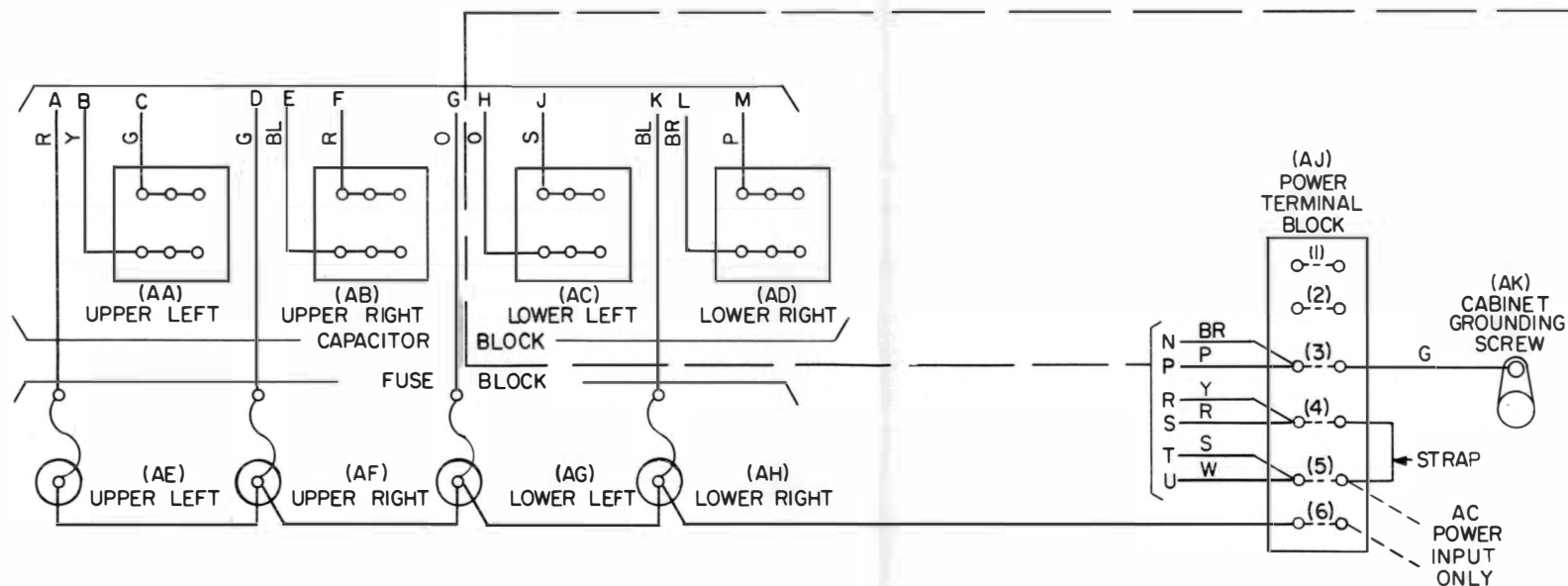


Figure 2 (Sheet 1) - 28A-1 Typing Reperforator Cabinet



NOTES:

- 1. UNIT WIRED FOR 115 VOLTS 50 TO 60 CYC. AC. POWER INPUT ONLY.
- 2. CONNECTORS VIEWED FROM SOLDER TERMINAL ENDS.
- 3. FUSE PROTECTION FOR CONVENIENCE OUTLET FUSETRON OR FUSTAT RATED AT 5.0 AMP.
- 4. TERMINAL DESIGNATIONS ENCLOSED IN PARENTHESIS ARE NOT MARKED ON COMPONENTS.
- 5. EXTERNAL SIGNAL LINE CONNECTIONS MADE TO LEFT SIDE OF 120-POINT TERMINAL BLOCK AS FOLLOWS:

TOP SHELF:	LEFT REPERFORATOR	AU-1 & AU-19
	RIGHT REPERFORATOR	AU-2 & AU-20
CENTER SHELF:	LEFT REPERFORATOR	AU-3 & AU-21
	RIGHT REPERFORATOR	AU-4 & AU-22
LOWER SHELF:	LEFT REPERFORATOR	AU-5 & AU-23
	RIGHT REPERFORATOR	AU-6 & AU-24

COLOR	TERMINAL POINT	TERMINAL NUMBER	TERMINAL POINT	COLOR	LEADS CONNECTED TO RIGHT SIDE OF 120-POINT TERMINAL BLOCK																				
					25	26	27	28	29	30	31	32	33	34	35	36	37	38	39	40	41	42	43	44	45
W-R	BB-16	1	BP-1	S	25	BB-SPARE	W-BK	49			73	BB-2	W-O	97											
W-R	BC-16	2	BQ-1	R	26	BB-SPARE	W-R	50			74	BC-2	W-O	98											
R	BD-16	3	BS-1	O	27	BC-SPARE	W-G	51			75	BD-2	W-G	99											
R	BE-16	4	BT-1	BL	28	BC-SPARE	W-O	52			76	BE-2	W-G	100											
W-Y	BF-16	5	BV-1	W	29	BD-SPARE	W-BL	53			77	BF-2	W-R	101											
W-Y	BG-16	6	BW-1	Y	30	BD-SPARE	W-Y	54			78	BG-2	W-R	102	AT-2	W-BK									
		7			31	BE-SPARE	W-BK	55	BB-4	Y	79	AV-4	O	103	BB-15	P									
		8			32	BE-SPARE	W-R	56	BC-4	Y	80	AY-4	BL	104	BC-15	P									
		9			33	BF-SPARE	W-G	57	BD-4	W-O	81	AW-4	S	105	BD-15	O									
		10			34	BF-SPARE	W-O	58	BE-4	W-O	82	AZ-4	S	106	BE-15	O									
		11			35	BG-SPARE	W-BL	59	BF-4	W-G	83	AX-4	BL	107	BF-15	Y									
		12			36	BG-SPARE	W-Y	60	BG-4	W-G	84	BA-4	O	108	BG-15	Y									
		13			37			61	AV-1	BK	85			109											
		14			38			62	AY-1	R	86			110											
		15			39			63	AW-1	W	87			111											
		16			40			64	AZ-1	W	88			112											
		17			41			65	AX-1	R	89			113											
		18			42			66	BA-1	BK	90			114	AN-4	W									
W-BK	BB-8	19	BP-4	Y	43			67			91			115	BB-5	W-R									
W-BK	BC-8	20	BQ-4	G	44			68			92			116	BC-5	W-R									
Y	BD-8	21	BS-4	P	45			69			93			117	BD-5	W-Y									
Y	BE-8	22	BT-4	S	46			70			94			118	BE-5	W-Y									
W-BL	BF-8	23	BV-4	R	47			71			95			119	BF-5	W-O									
W-BL	BG-8	24	BW-4	BK	48			72			96			120	BG-5	W-O									

Figure 2 (Sheet 2) - 28A-1 Typing Reperforator Cabinet