

28 TYPING REPERFORATOR CABINETS, TABLES, AND COVERS

LUBRICATION

CONTENTS	PAGE
1. GENERAL .....	1
2. LUBRICATION DETAILS	
A. Typing reperforator cover .....	2
Cover .....	2
B. Typing reperforator multiple cabinet .....	3
Multiple cabinet front view.....	4
Multiple cabinet rear view.....	3

1. GENERAL

1.01 This section contains the specific lubrication procedures for the enclosures for the 28 typing reperforator. This section and the section covering teletypewriter general lubrication give the complete information for lubricating the enclosures.

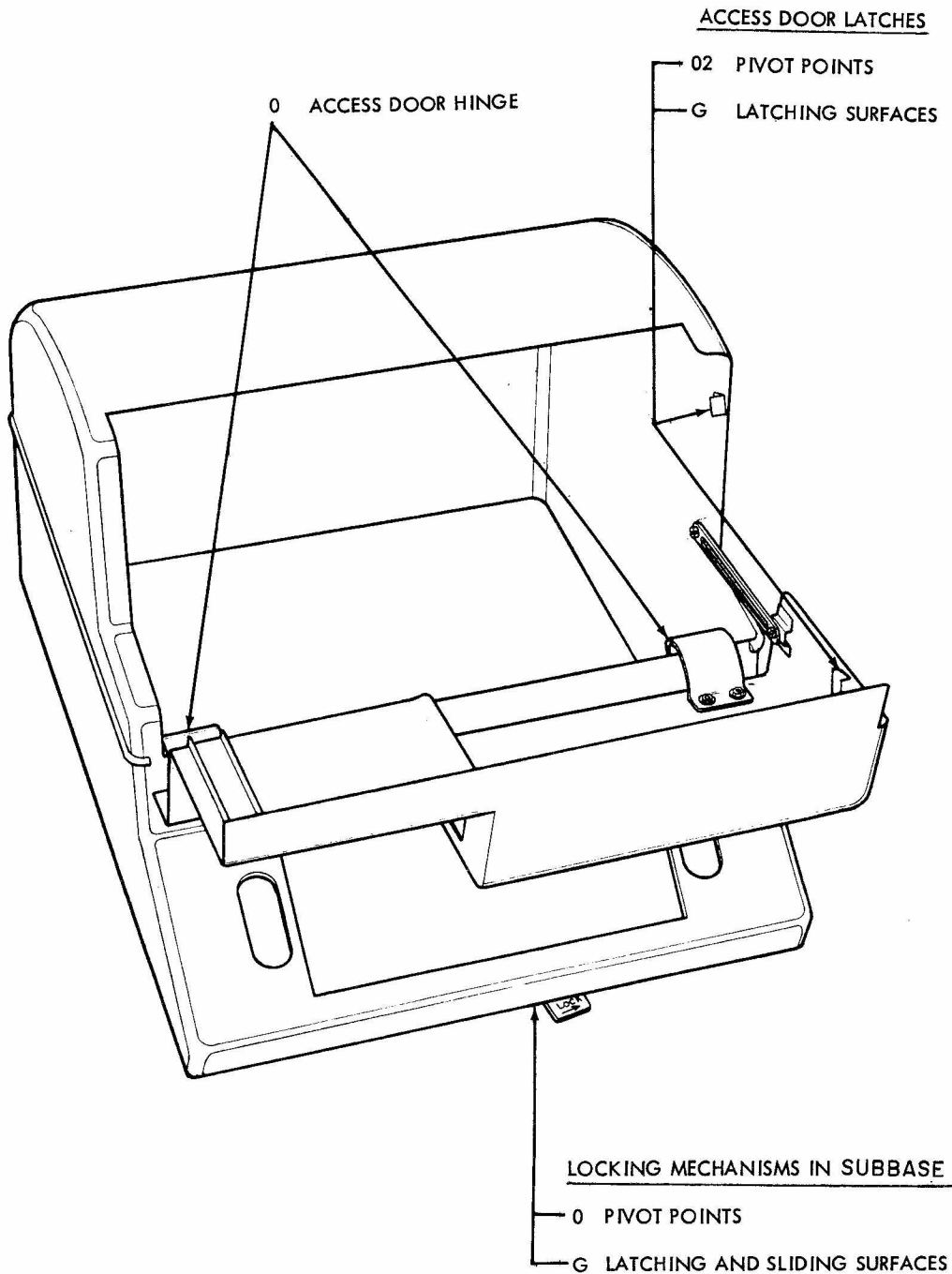
1.02 The lubricants to be used and their methods of application are those given in the section covering teletypewriter general lubrication. The lubrication symbols used in this section are the same as those in the general section. However, the symbol O is used in this section to mean only one drop of oil. Symbol O2 is used to specify that two drops of oil are to be used.

2. LUBRICATION DETAILS

A. Typing Reperforator Cover

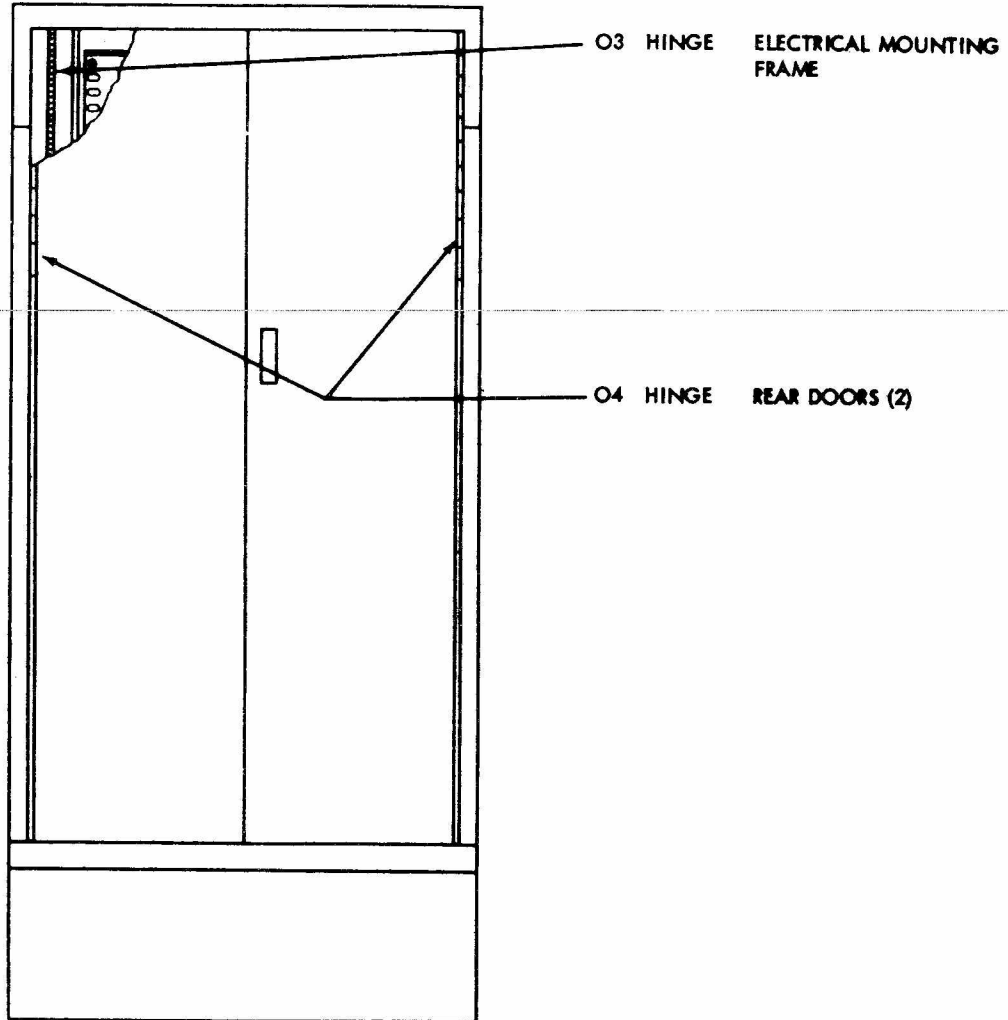
2.01 Cover

CAUTION: ON UNITS EQUIPPED WITH AN EXTERNAL MANUAL-INTERFERING LTRS TAPE FEEDOUT, DO NOT DAMAGE THE FEEDOUT LEVER WHEN REMOVING THE TYPING REPERFORATOR COVER.



B. Typing Reperforator Multiple Cabinet

2.02 Multiple Cabinet Rear View



2.03 Multiple Cabinet Front View

