

28 APPARATUS CABINET (LBAC) FOR MULTIPLE MOUNTED PAGE PRINTERS

PARTS

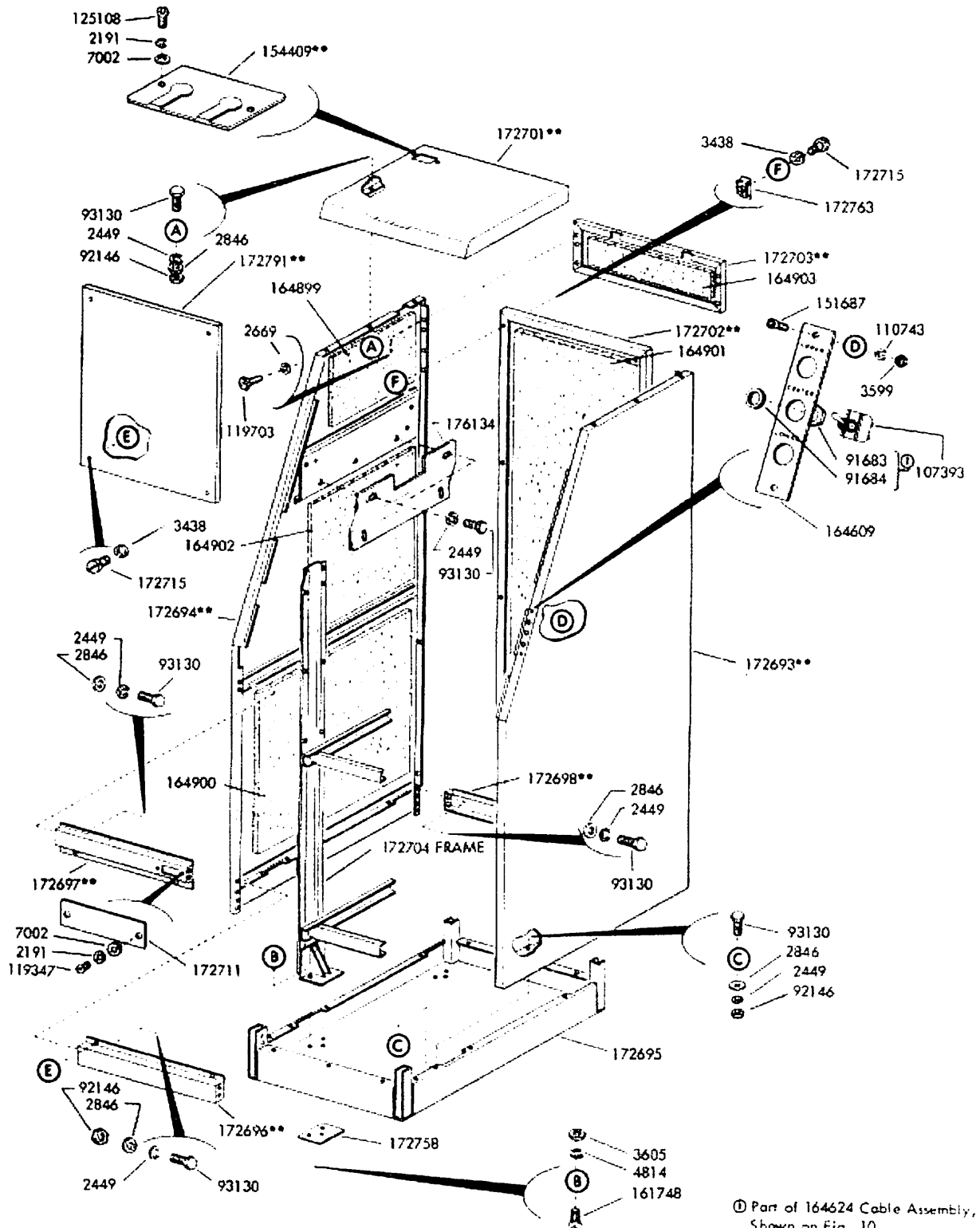
PAINT FINISH COLOR CODE CHART (for parts and assemblies requiring a paint finish)									
Color	Finish Suffixes				Color	Finish Suffixes			
	Wrinkle Finish	Smooth Finish	Textured Vinyl	Smooth Vinyl		Wrinkle Finish	Smooth Finish	Textured Vinyl	Smooth Vinyl
Beige		ET			Gray, Federal		BV	GG	
Beige, Light		EL		HC	Gray, Green	AB (40)	BK	GA (45)	
Beige, Rose		ER			Gray, Light		EJ		HB (68)
Black	AA (37)				Gray, Covert				HE
Black, High Gloss		BA (34)			Gray, Olive		EW	GE	HF (46)
Black, Semi Gloss		BB			Gray, Maritime Deck	AJ	BJ		
Blue, Aqua		EK			Gray, Oxford		EP		
Blue, Brussels Light		EC			Green, Gray	AB (40)	BK	GA (45)	
Blue, Medium		ES			Green, Moss		EN		HD
Brown, Dark	AD (38)				Ivory		EM		
Brown, Light	AC (39)				Pink, Rose		EU		
Fawn				HG	Turquoise		EV		
Gray, Beige			GC		White		EH		
Gray, Charcoal	AL	BZ	GF	HA	Yellow, Pastel		EG		
Gray, Dark			GB						
Gray, Navy Light		BR							

The double asterisk (\*\*) denotes a painted part. Suffix to be applied following the part number.  
Number in parentheses indicates Bell System code.

## SECTION 573-136-803TC

FIGURE	CONTENTS	PAGE	FIGURE	CONTENTS	PAGE
1	Cabinet Body	3	41	311229 Electrical Service Panel Assembly	35
2	Cabinet Body	4	42	311229 Electrical Service Panel Assembly (Continued)	36
3	Channel Duct and Top Cover	5	43	193569 Selector Magnet Driver Mounting Assembly	37
4	Rear Doors	6	44	312698 Selector Magnet Driver Mounting Assembly	38
5	Channels	7	45	310084 Selector Magnet Driver Mounting Assembly	39
6	164088 Pan Assembly	8	46	162361 Rectifier Assembly	40
7	Door Arm Mechanism	9	47	312542 Rectifier Assembly	41
8	172700** Door Assembly	9	48	309863 Selector Magnet Driver Assembly	42
9	Relay Rack Frame	10	49	177010, 192669 and 194369 Selector Magnet Driver Assemblies	43
10	Terminal Blocks and Cable Connectors	10	50	170573 Rectifier Assembly	44
11	Base Plate	11	51	Cable Components	45
12	Base Plate	12	52	164925 Modification Kit: To Add Paper Winder	46
13	Receive-Only Base Plate	13	53	195921 and 195922 Modification Kits: To Add Paper Winding Facilities to Cabinets	47
14	Paper Winder Shelf for Send Receive Base	14	54	193941** Modification Kit: To Provide Ventillation for Cabinets	48
15	154224 and 164234 Intermediate Gear Assemblies	15	55	195540 Modification Kit: To Provide Static Eliminator to Neutralize Electrostatic Charge on Page Copy	49
16	151560 and 146437 Bell Assemblies	16	56	198310 Modification Kit: To Provide Facilities for Sprocket Feed Paper	50
17	Slide Mechanisms	17	57	198310 Modification Kit: To Provide Facilities for Sprocket Feed Paper (Continued)	51
18	Slide Mechanisms (Continued)	18	58	198310 Modification Kit: To Provide Facilities for Sprocket Feed Paper (Continued)	52
19	Send-Receive Keyboard Cover	18	59	179369 Modification Kit: To Provide Copy Display	53
20	Covers	19	60	194324 Modification Kit: To Provide Paper-Out Alarm	54
21	311267** Bottom Cover Assembly	19	61	145450 Modification Kit: To Provide Key and Lamp Assembly	55
22	Top and Middle Covers	20	62	145010 Modification Kit: To Provide Key and Lamp Assembly	55
23	Bottom Cover	20	63	145075 Modification Kit: To Provide Key and Lamp Assembly	56
24	Control Panel	21	64	145017 Rectifier-48 Volts D. C.	56
25	Keyboard Panel	21		Numerical Index	57
26	Fixed Control Panel (4 Printer Cabinet)	22			
27	Fixed Control Panel	22			
28	Fixed Control Panel	23			
29	Fixed Control Panel	23			
30	Control Panel	24			
31	145233** Control Panel Assembly	25			
32	144965, 311243 and 315797 Mounting Rack Assemblies	26			
33	145273, 145274 and 310231 Mounting Rack Assemblies	27			
34	193535 Connector Panel Assembly	28			
35	195394 Mounting Plate Assembly	29			
36	195395 Mounting Plate Assembly	30			
37	179373 Electrical Service Panel Assembly	31			
38	193568 and 310083 Electrical Service Panel Assemblies	32			
39	312696 Electrical Service Panel Assembly	33			
40	198306 Electrical Service Panel Assembly	34			

\*\*Refer to Page 1 for Finish Suffix



(D) Part of 164624 Cable Assembly,  
Shown on Fig. 10  
\*\*Refer to Page 1 for Finish Suffix

FIGURE 1. CABINET BODY

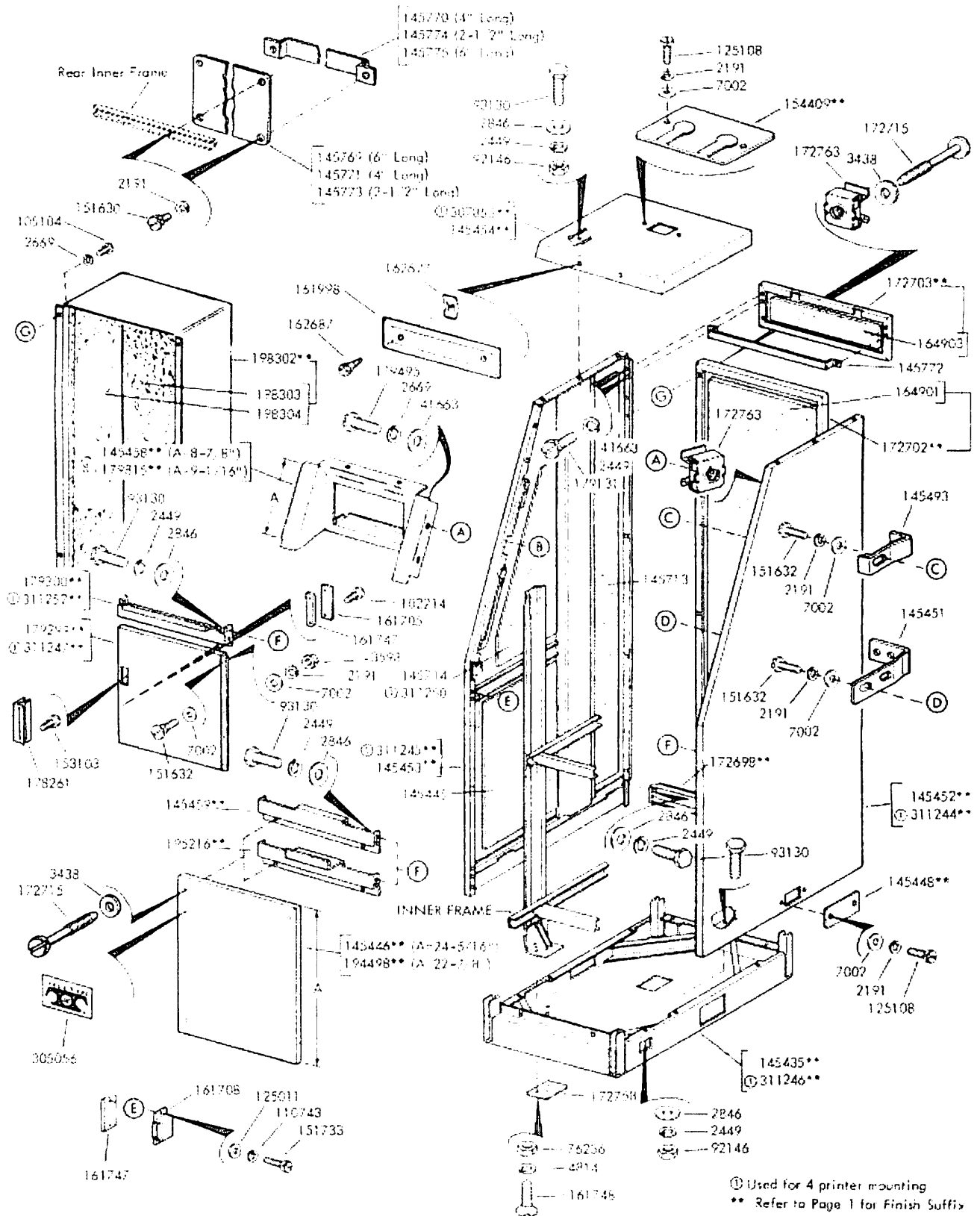
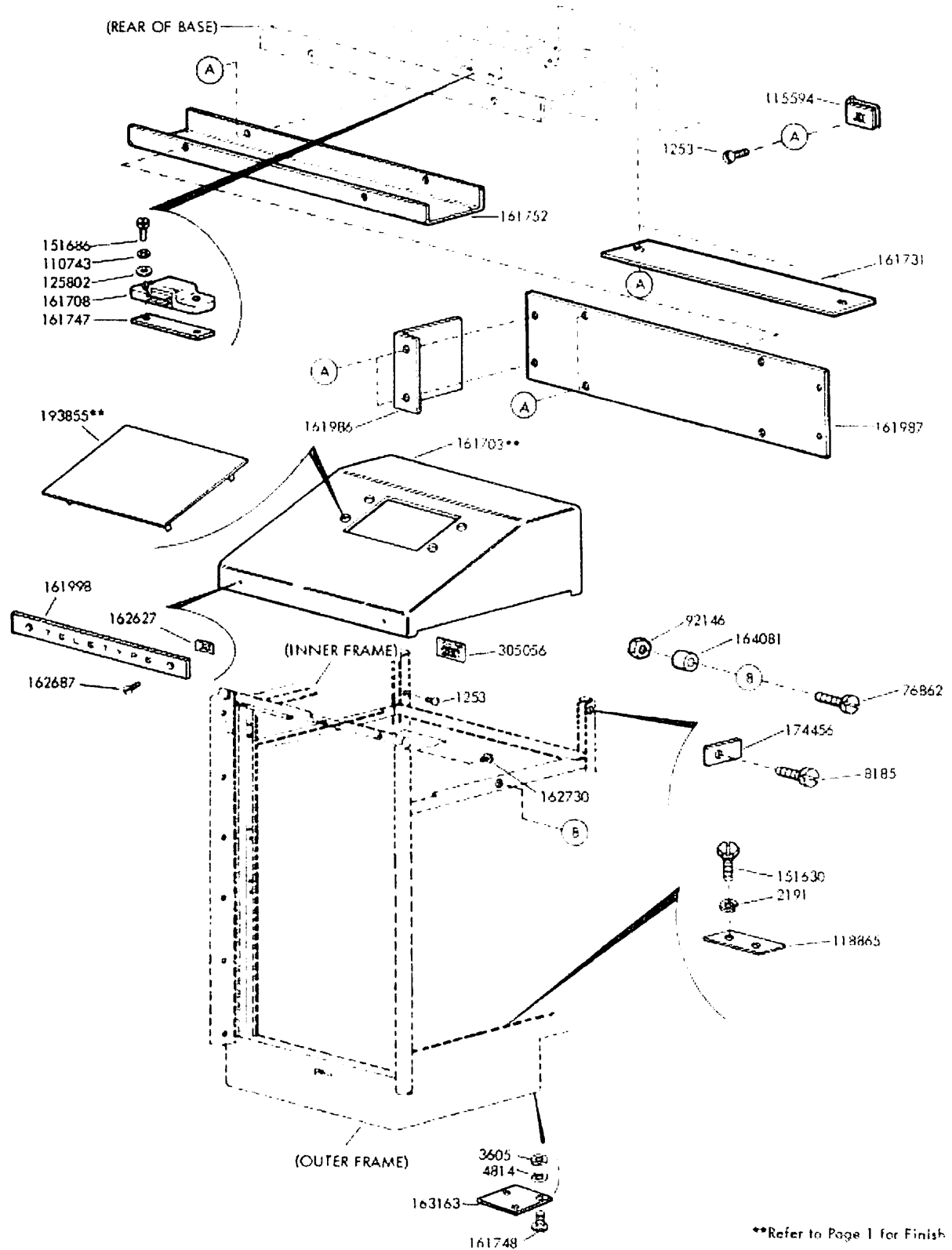
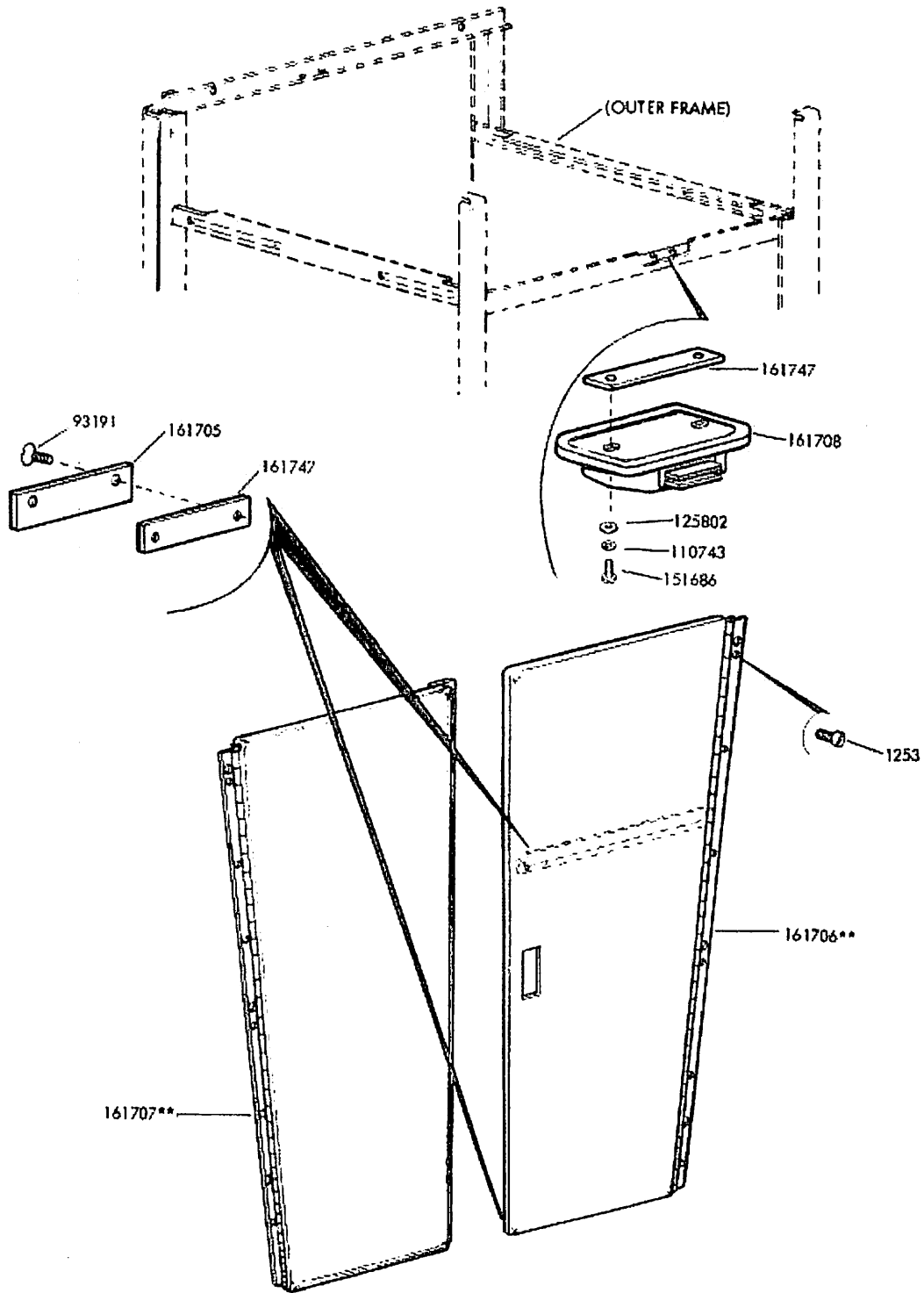


FIGURE 2. CABINET BODY



\*\*Refer to Page 1 for Finish Suffix

FIGURE 3. CHANNEL DUCT AND TOP COVER



\*\*Refer to Page 1 for Finish Suffix

FIGURE 4. REAR DOORS

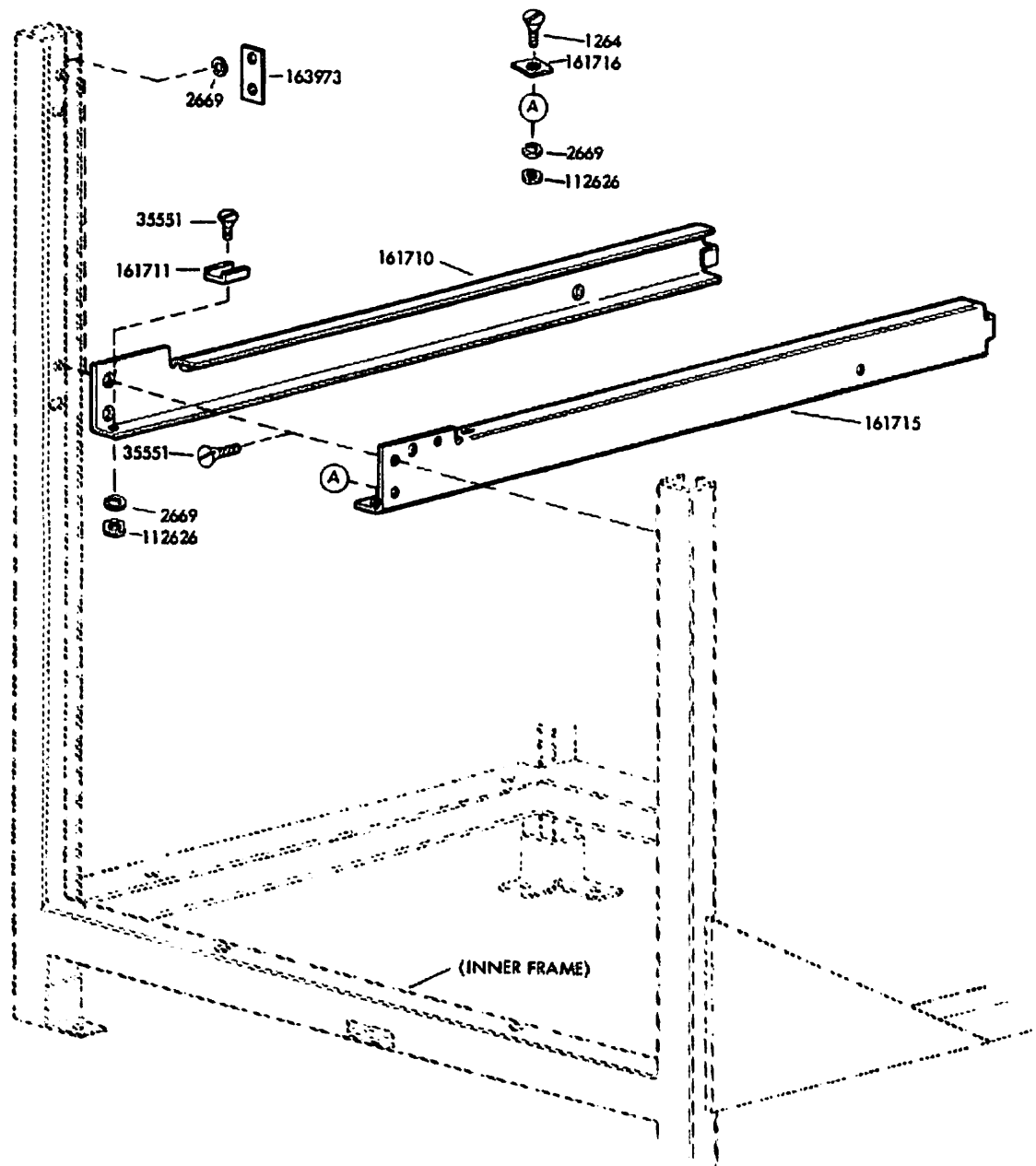


FIGURE 5. CHANNELS

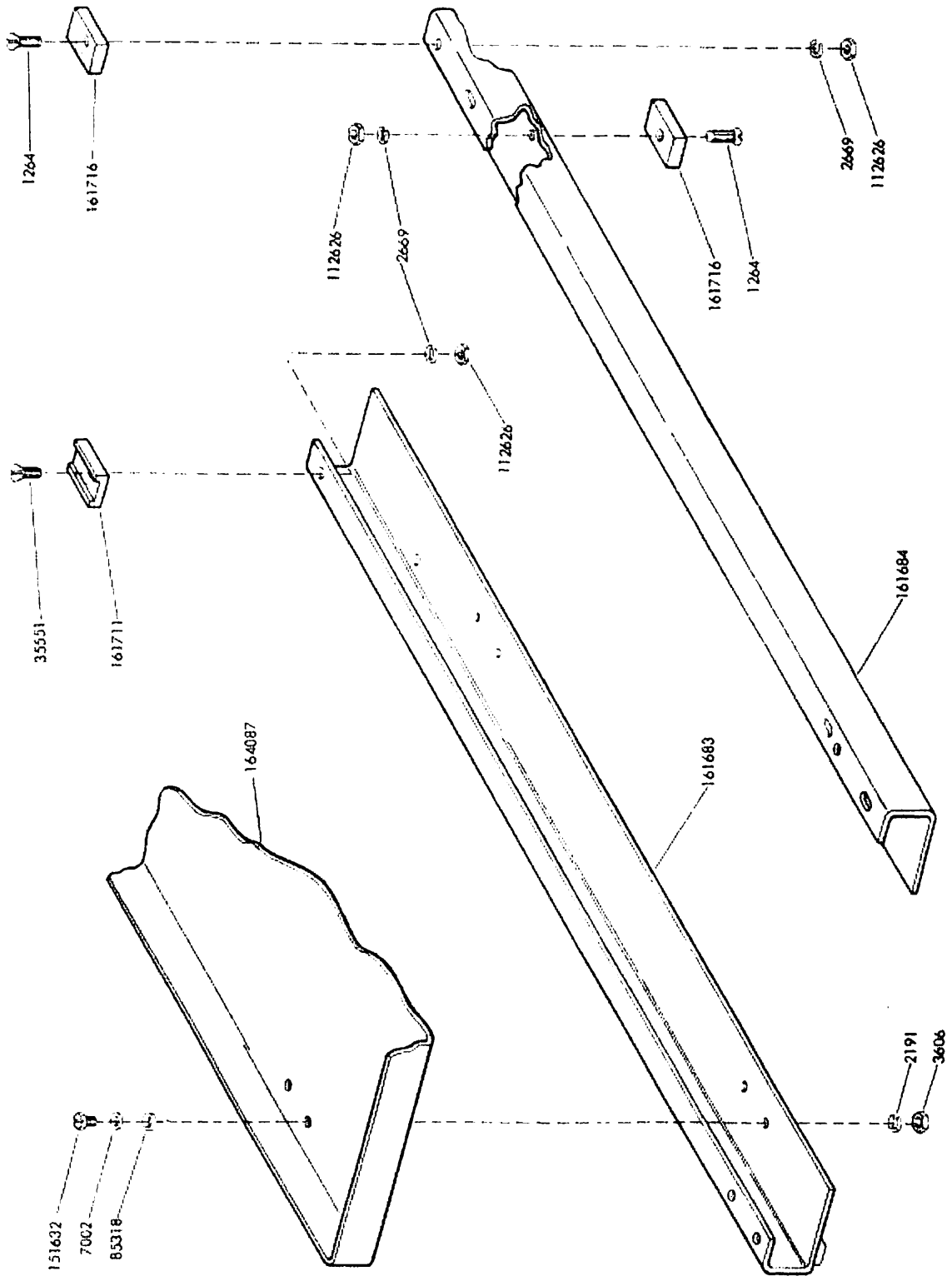


FIGURE 6 164088 PAN ASSEMBLY



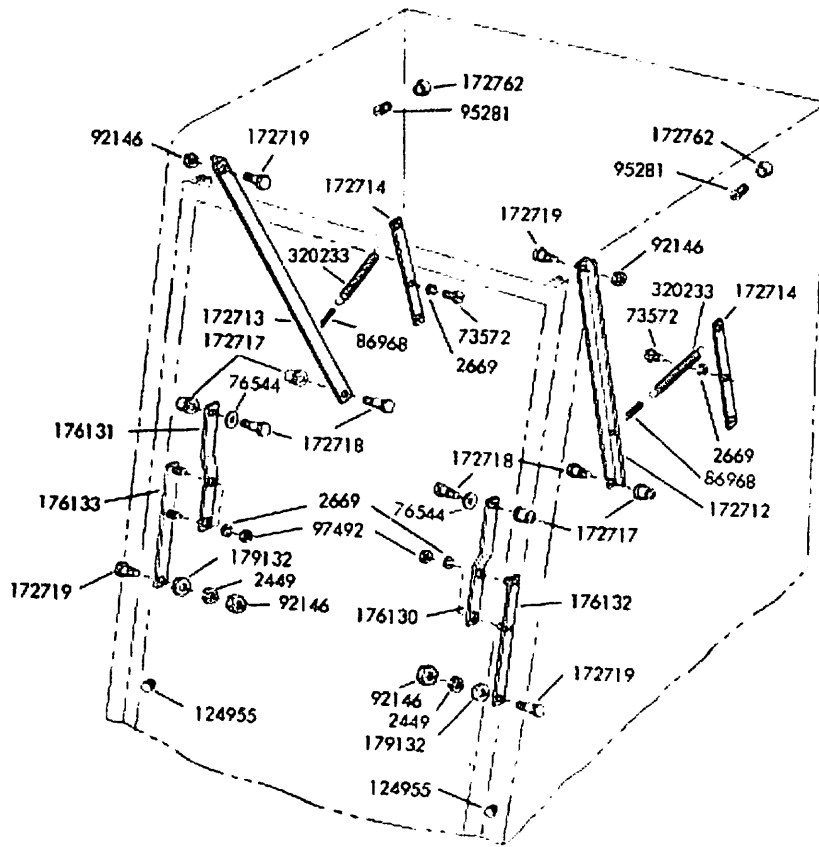
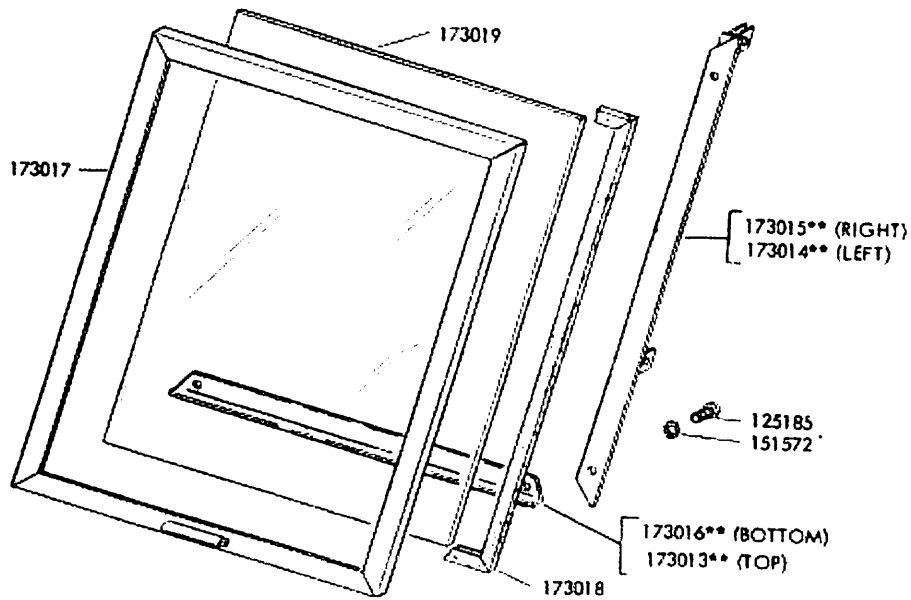


FIGURE 7. DOOR ARM MECHANISM



\*\*Refer to Page 1 for Finish Suffix

FIGURE 8. 172700\*\* DOOR ASSEMBLY

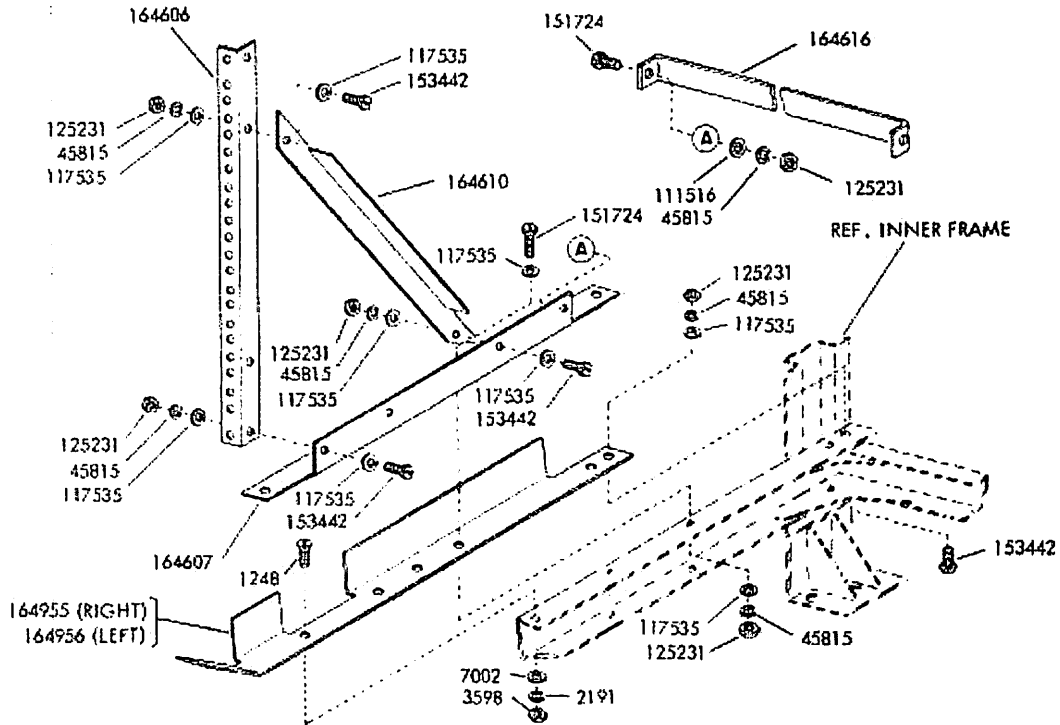


FIGURE 9. RELAY RACK FRAME

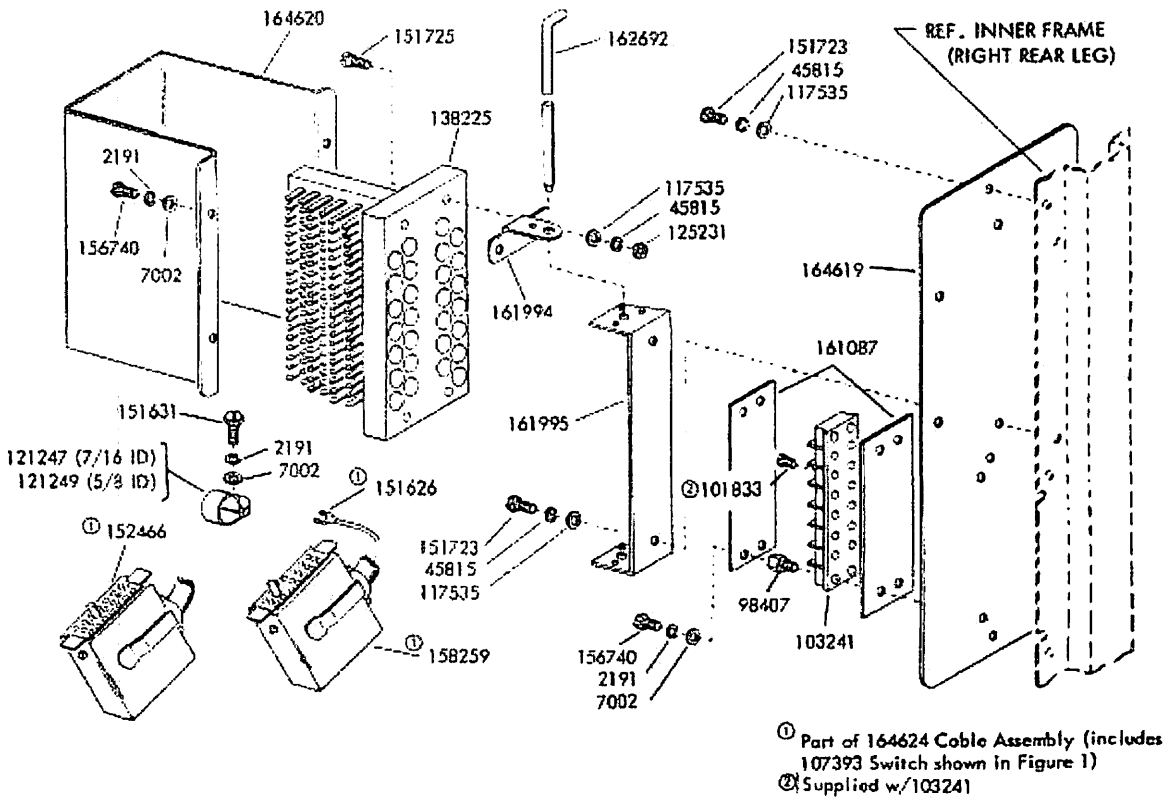


FIGURE 10. TERMINAL BLOCKS AND CABLE CONNECTORS



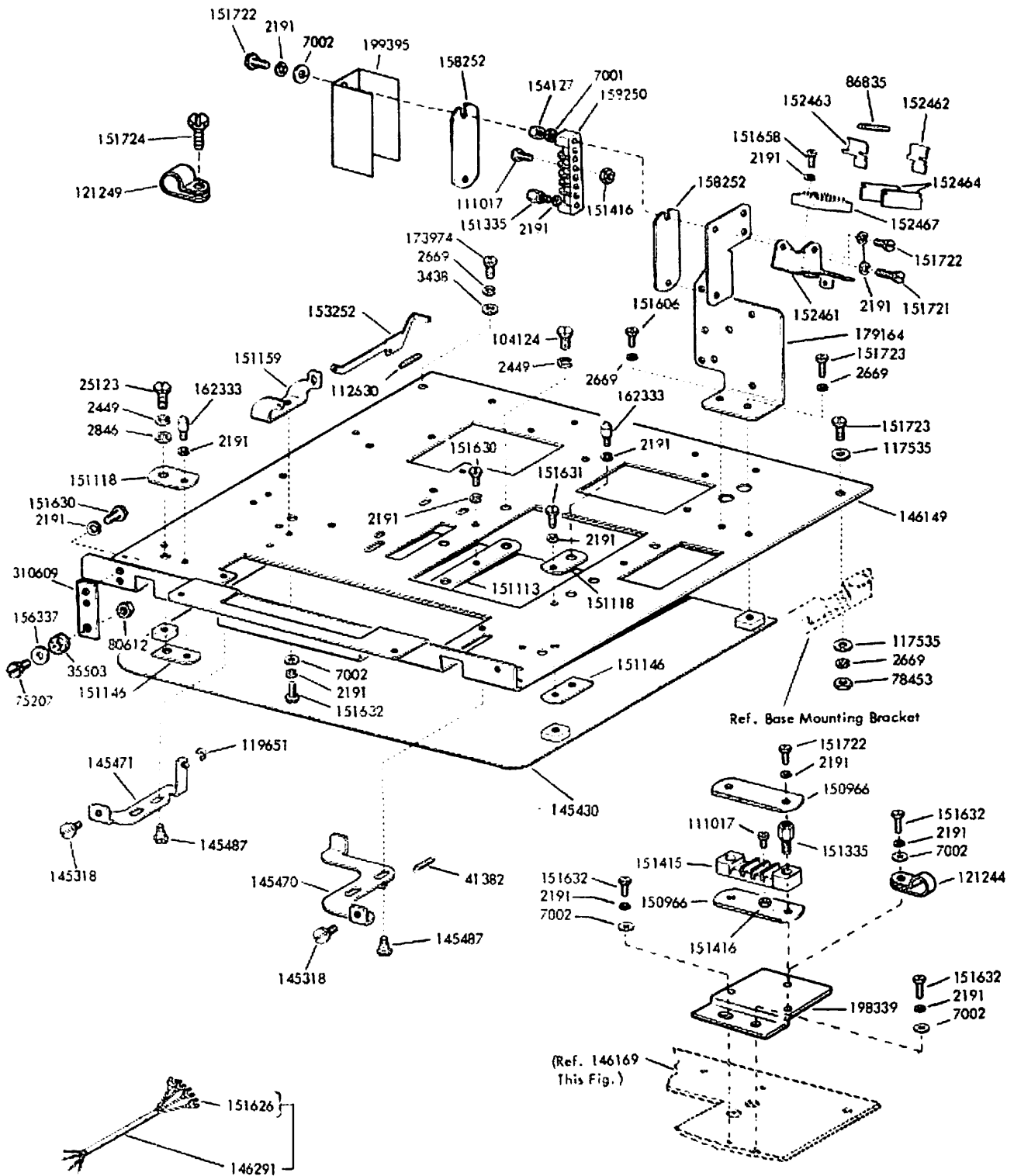
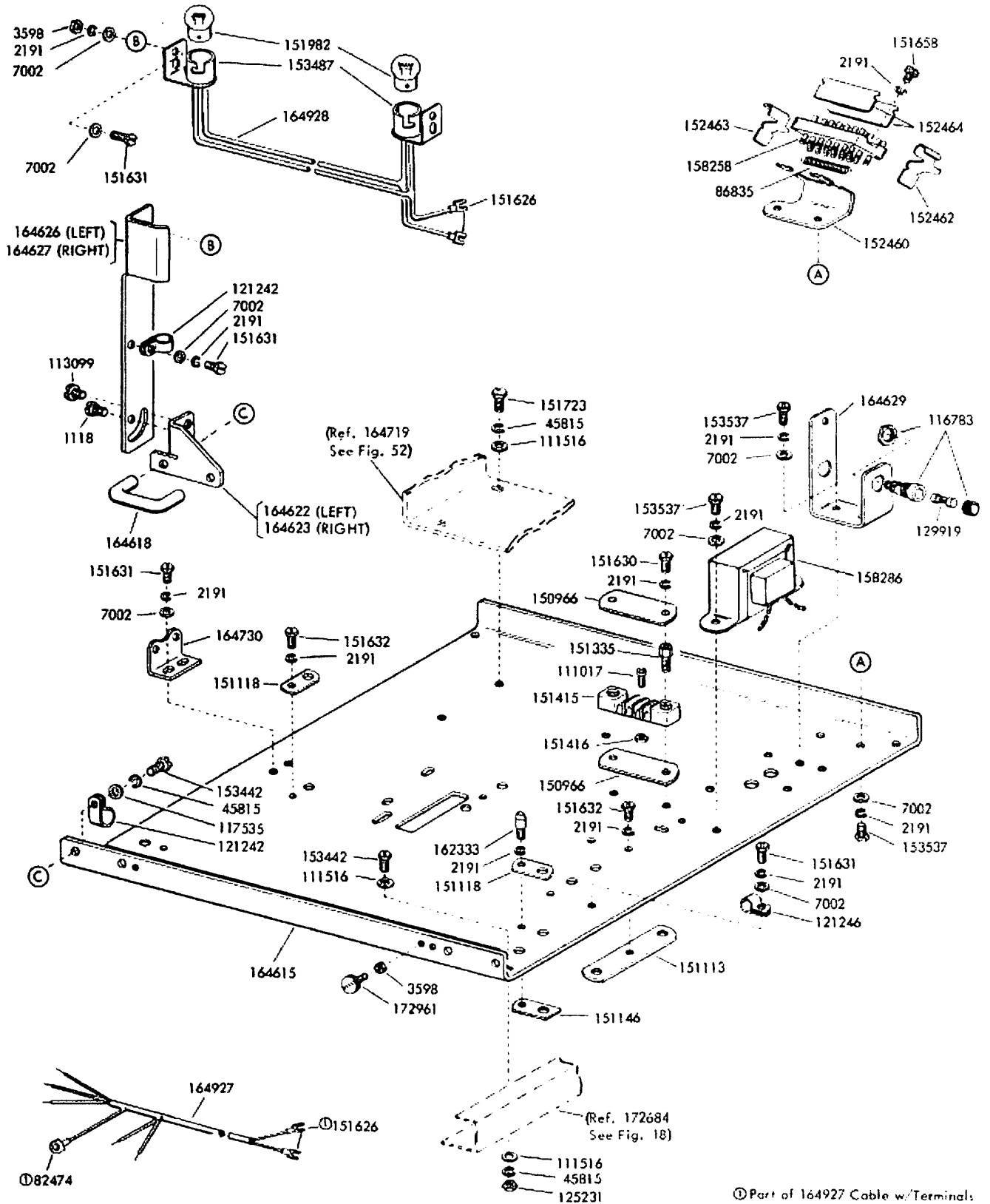


FIGURE 12. BASE PLATE



ⓐ Part of 164927 Cable w/Terminals

FIGURE 13. RECEIVE-ONLY BASE PLATE

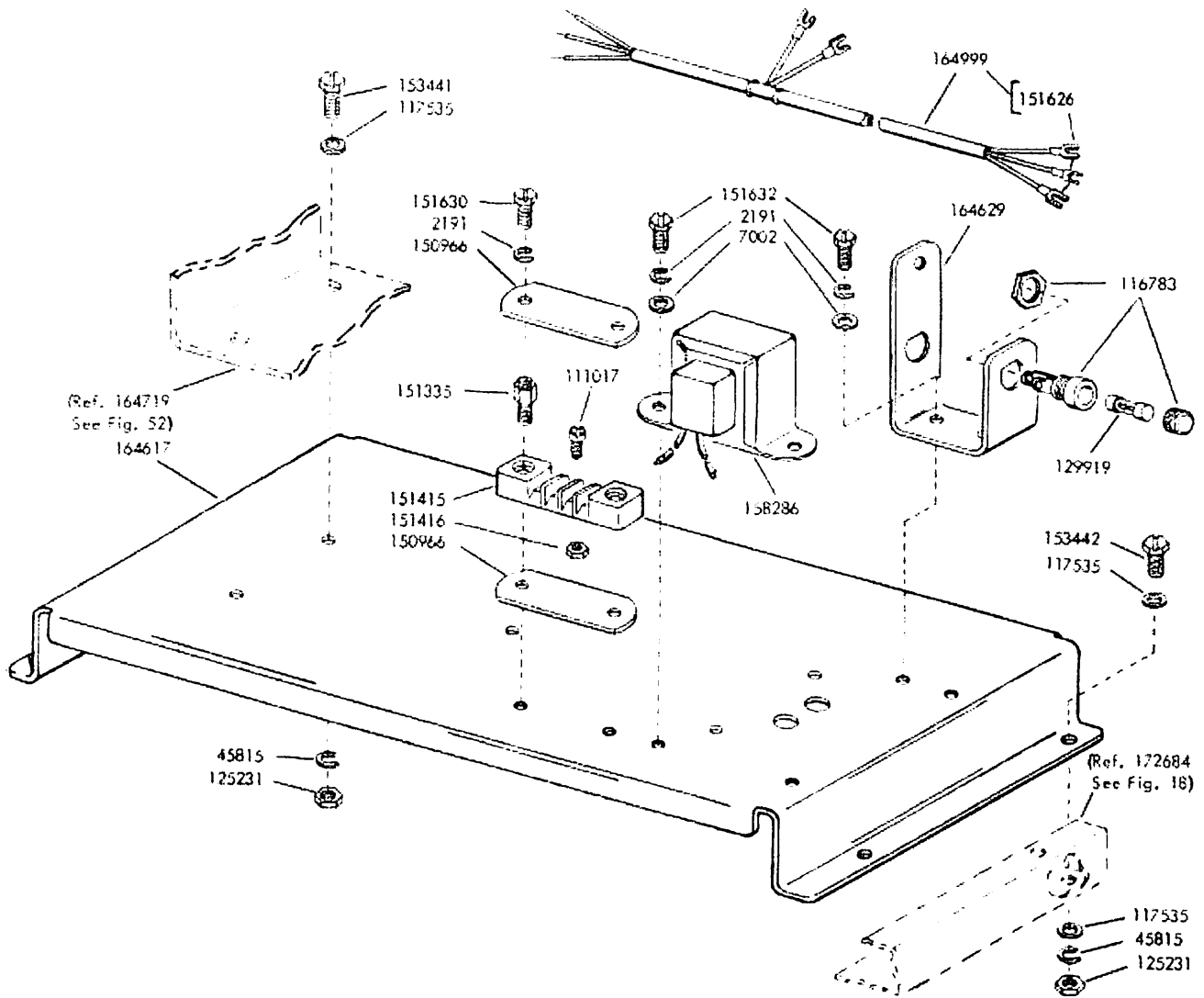


FIGURE 14. PAPER WINDER SHELF FOR SEND-RECEIVE BASE

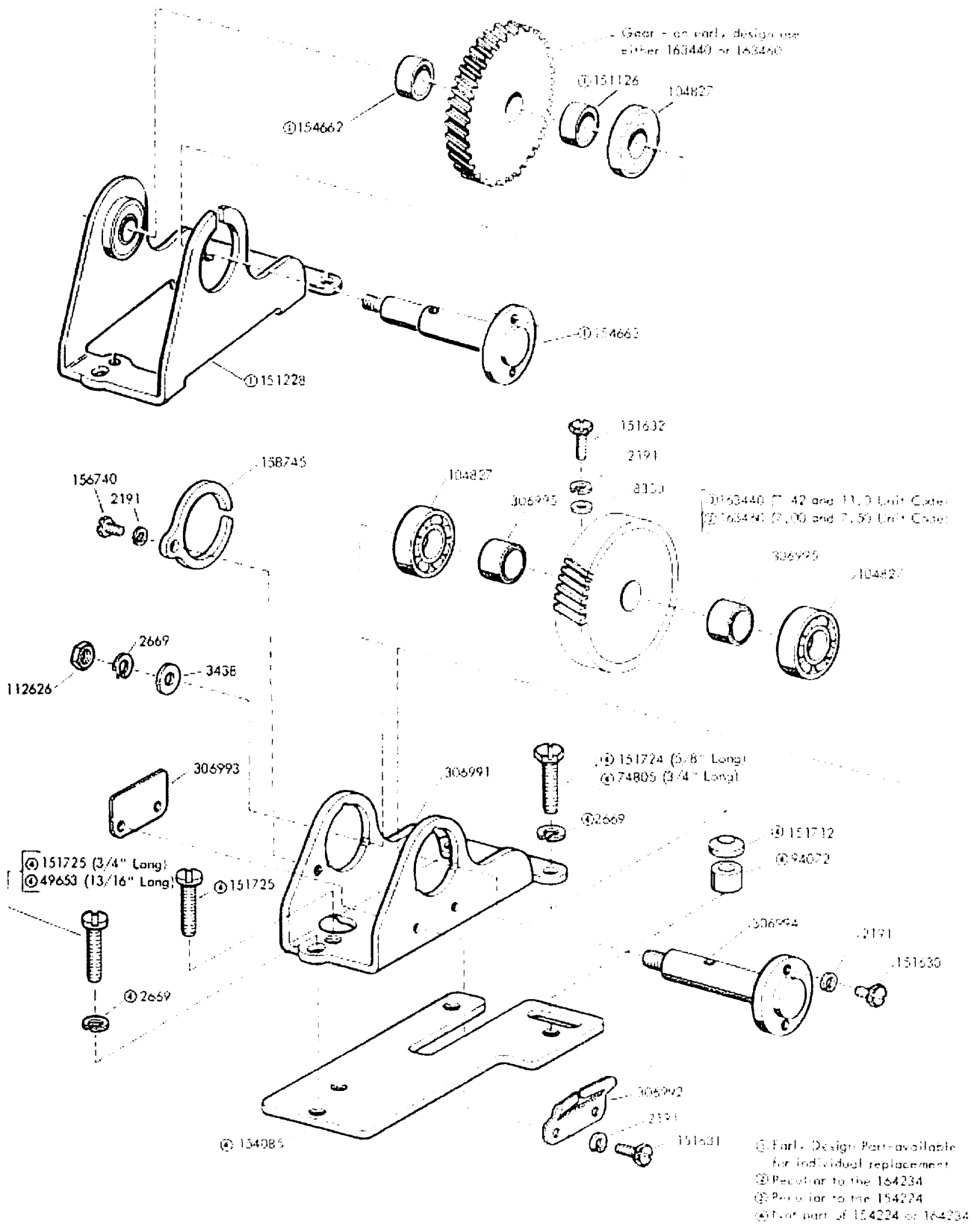
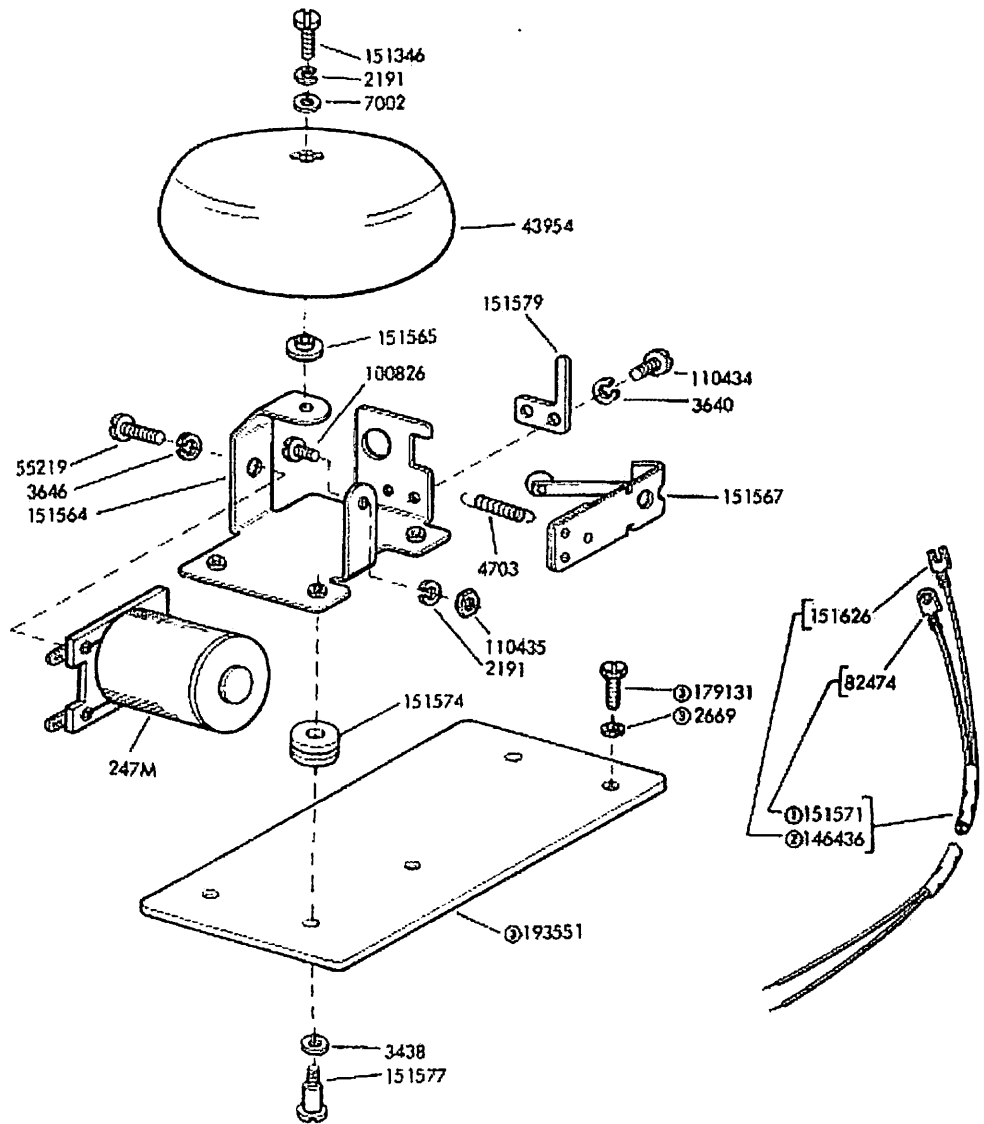


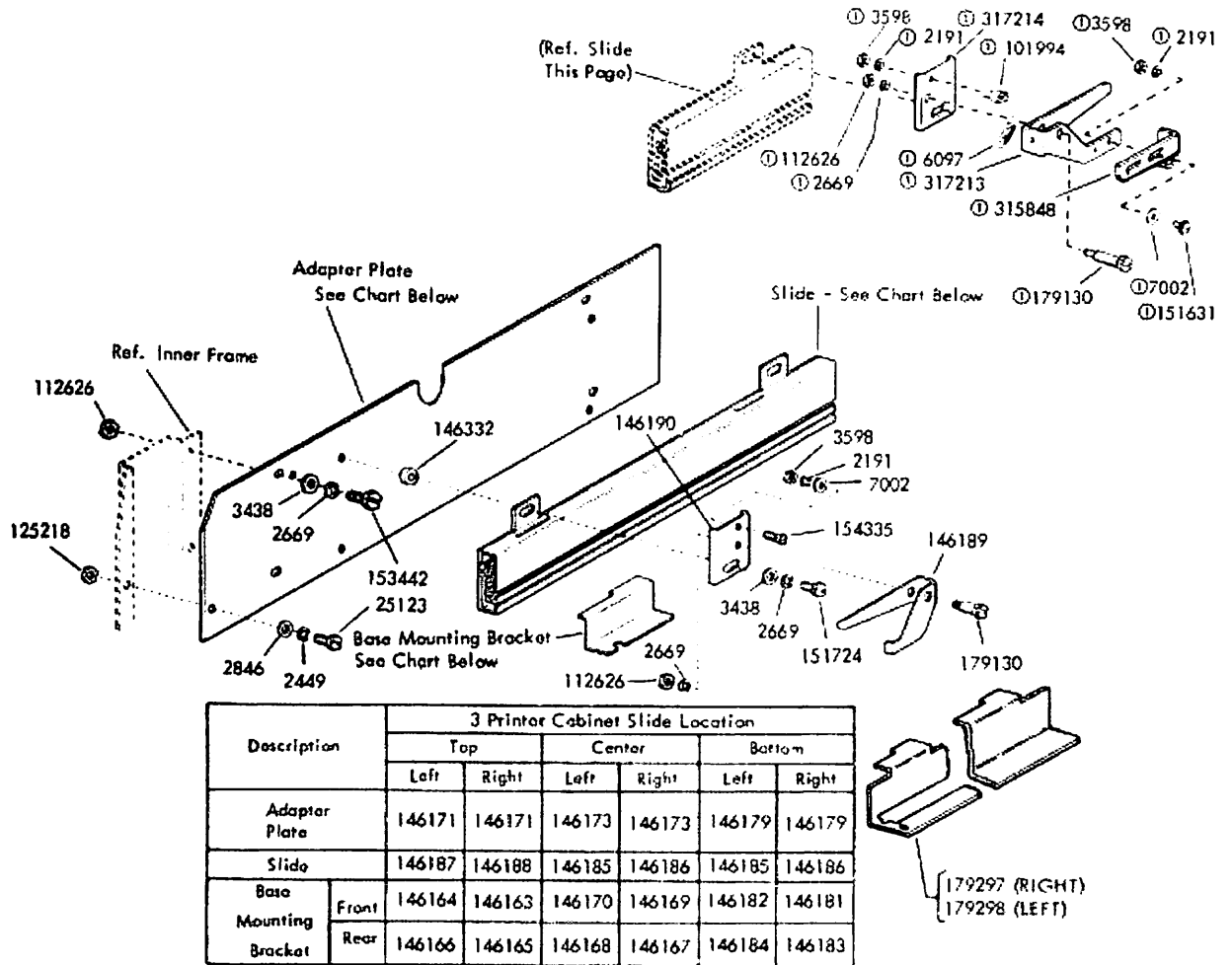
FIGURE 15 154224 AND 164234 INTERMEDIATE GEAR ASSEMBLY



- ① Part of 151560
- ② Part of 146437
- ③ Not Part of 151560 or 146437

FIGURE 16. 151560 AND 146437 BELL ASSEMBLIES



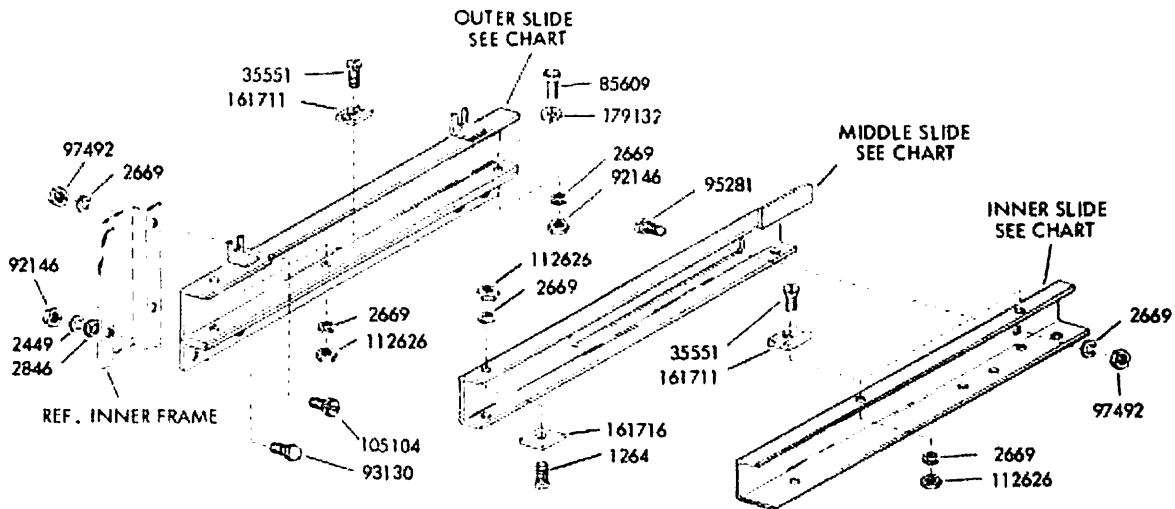


Description	3 Printer Cabinet Slide Location						
	Top		Center		Bottom		
	Left	Right	Left	Right	Left	Right	
Adapter Plate	146171	146171	146173	146173	146179	146179	
Slide	146187	146188	146185	146186	146185	146186	
Base Mounting Bracket	Front	146164	146163	146170	146169	146182	146181
	Rear	146166	146165	146168	146167	146184	146183

Description	4 Printer Cabinet Slide Location							
	Top		Top Center		Bottom Center		Bottom	
	Left	Right	Left	Right	Left	Right	Left	Right
Adapter Plate	146171	146171	146173	146173	146179	146179	311249	311249
Slide	146187	146188	146185	146186	146185	146186	146185	146186
Base Mounting Bracket	Front	146164	146163	146170	146169	146170	146169	146170
	Rear	146166	146165	146168	146167	146168	146167	146168

① Part of the 315847 Modification Kit to provide latch for cabinet Specification 504275

FIGURE 17. SLIDE MECHANISMS

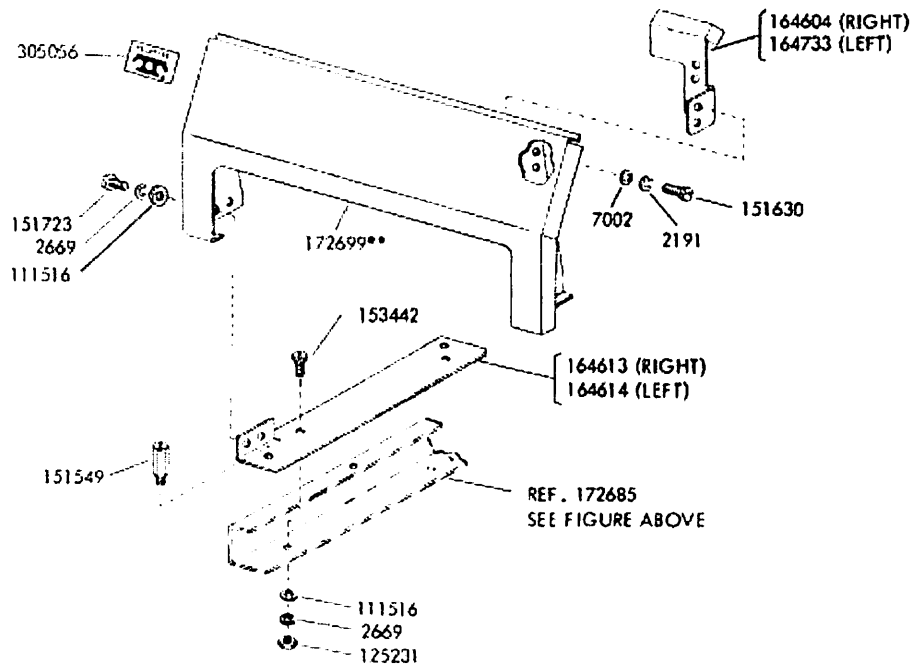


OUTER SLIDE		
SLIDE LOCATION	SIDE	PART NUMBER
TOP	LEFT	172650
	RIGHT	172651
CENTER	LEFT	172654
	RIGHT	172655
BOTTOM	LEFT	172659
	RIGHT	172658

MIDDLE SLIDE		
SLIDE LOCATION	SIDE	PART NUMBER
TOP	LEFT	172683
CENTER	RIGHT	172682
BOTTOM		

INNER SLIDE		
SLIDE LOCATION	SIDE	PART NUMBER
TOP	LEFT	172685
CENTER	RIGHT	172684
BOTTOM		

FIGURE 18. SLIDE MECHANISMS (Continued)



\*\*Refer to Page 1 for Finish Suffix

FIGURE 19. SEND-RECEIVE KEYBOARD COVER

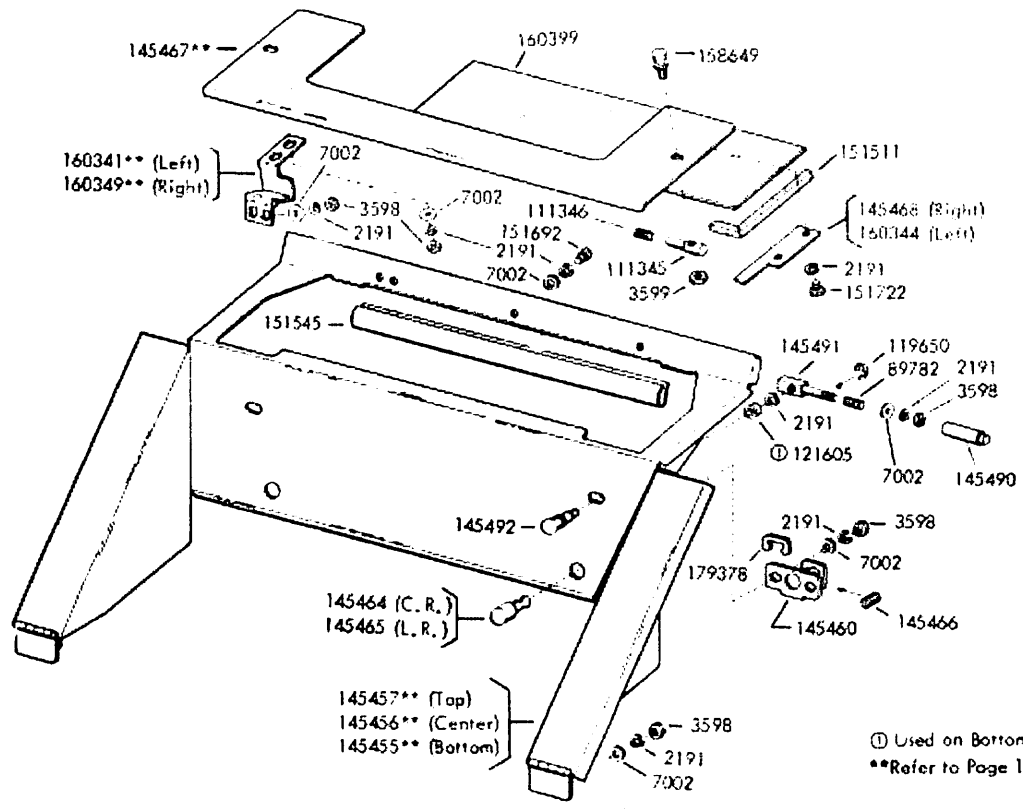


FIGURE 20. COVERS

① Used on Bottom Cover Only  
 \*\*Refer to Page 1 for Finish Suffix

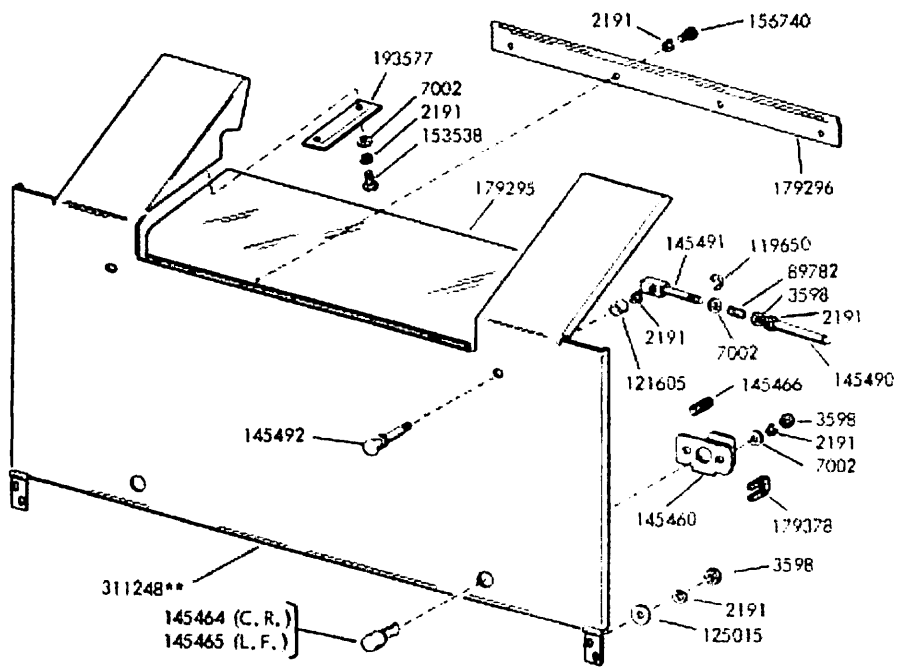
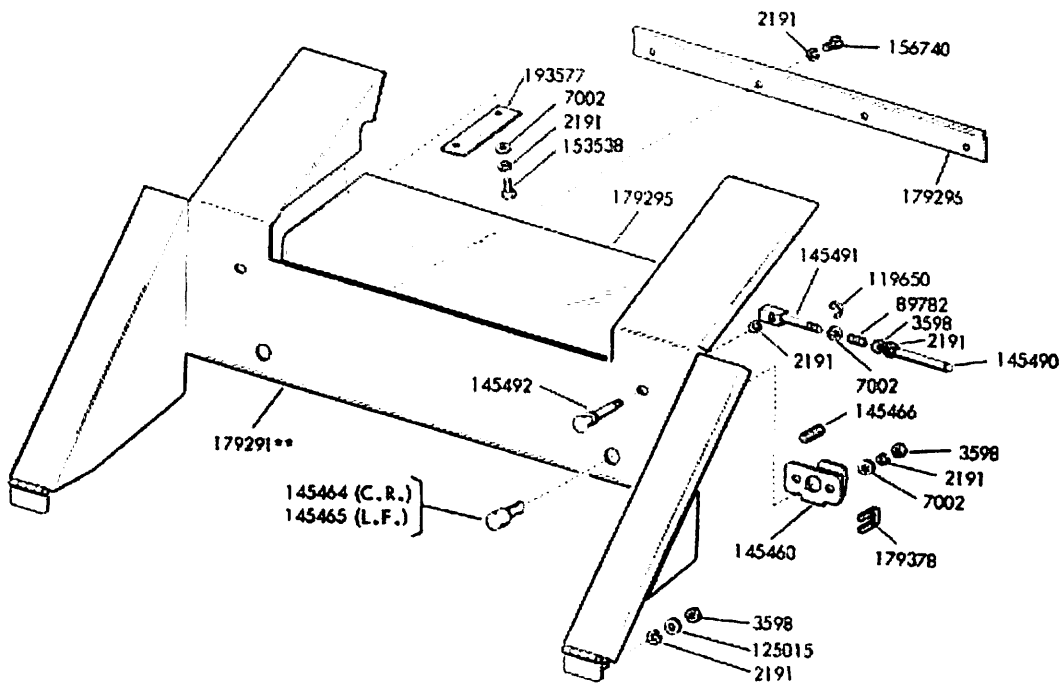


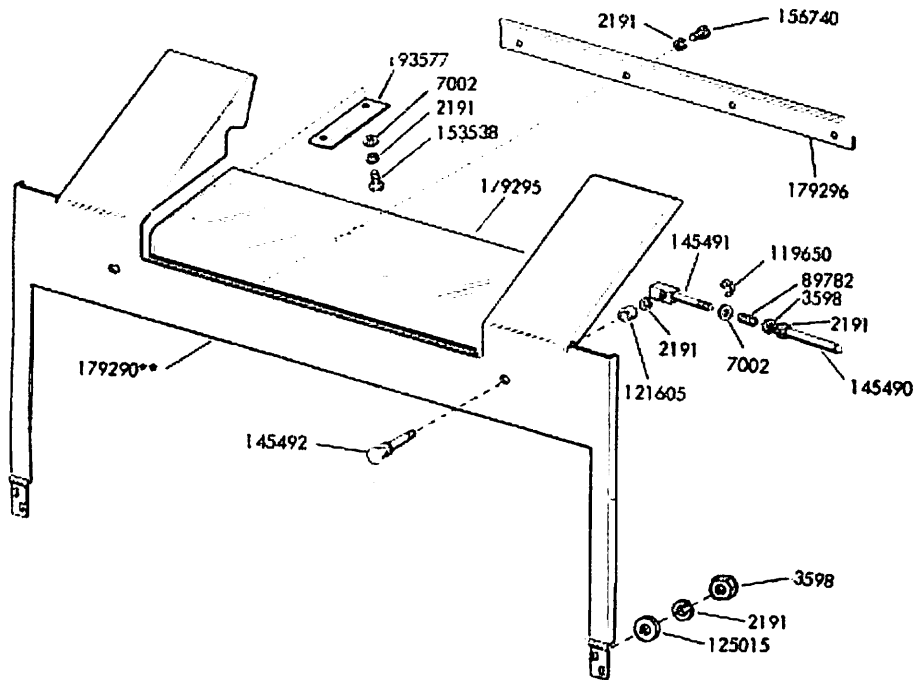
FIGURE 21. 311267\*\* BOTTOM COVER ASSEMBLY

\*\*Refer to Page 1 for Finish Suffix



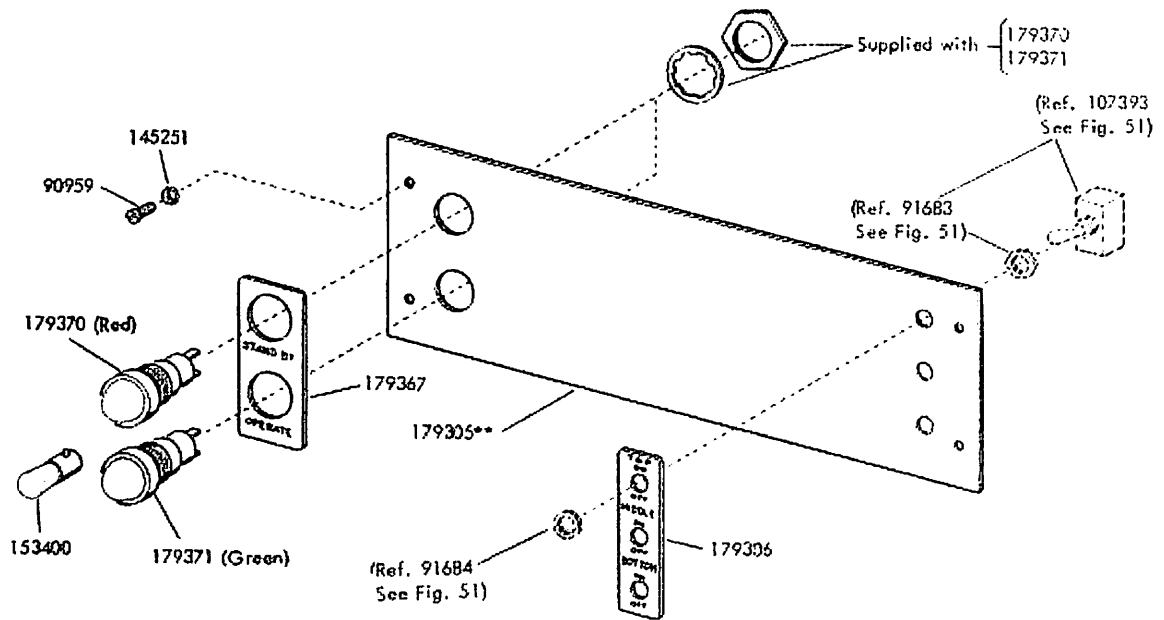
\*\* Refer to Page 1 for Finish Suffix

FIGURE 22. TOP AND MIDDLE COVERS



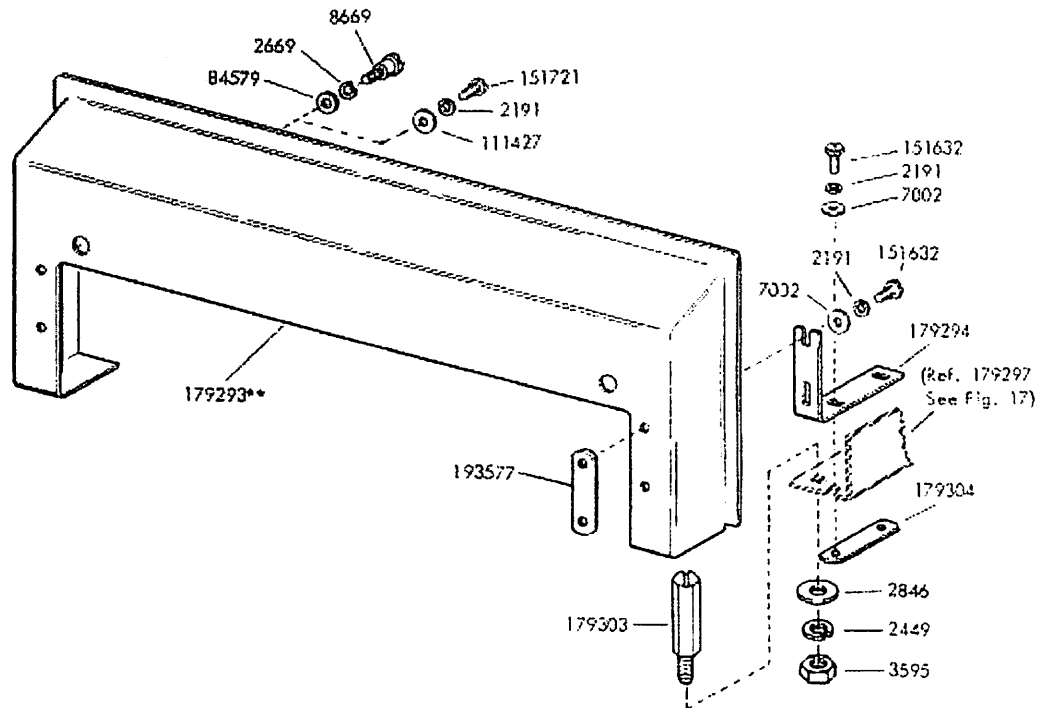
\*\*Refer to Page 1 for Finish Suffix.

FIGURE 23. BOTTOM COVER



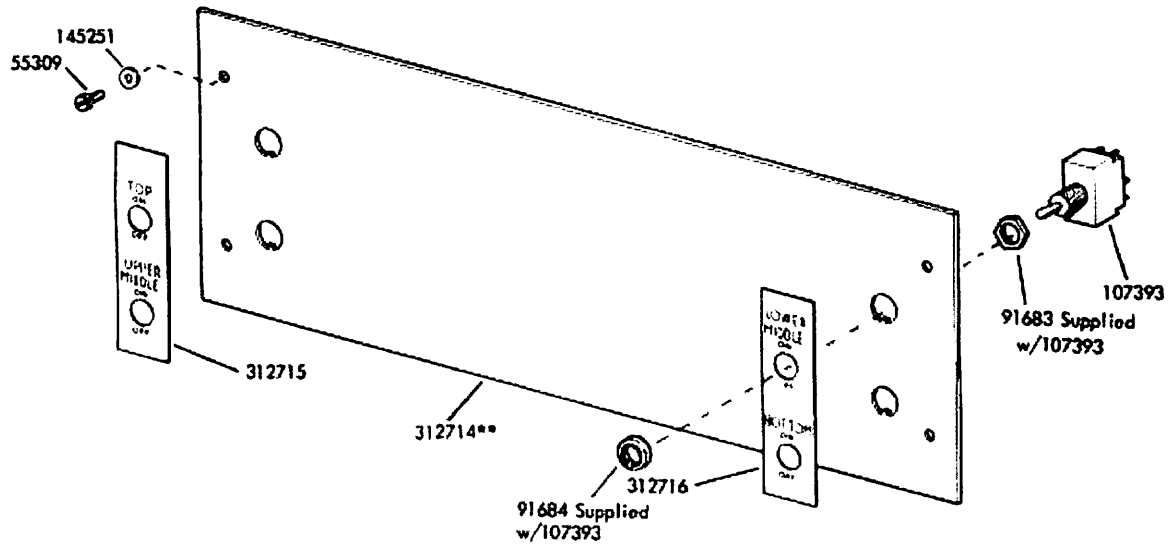
\*\*Refer to Page 1 for Finish Suffix

FIGURE 24. CONTROL PANEL



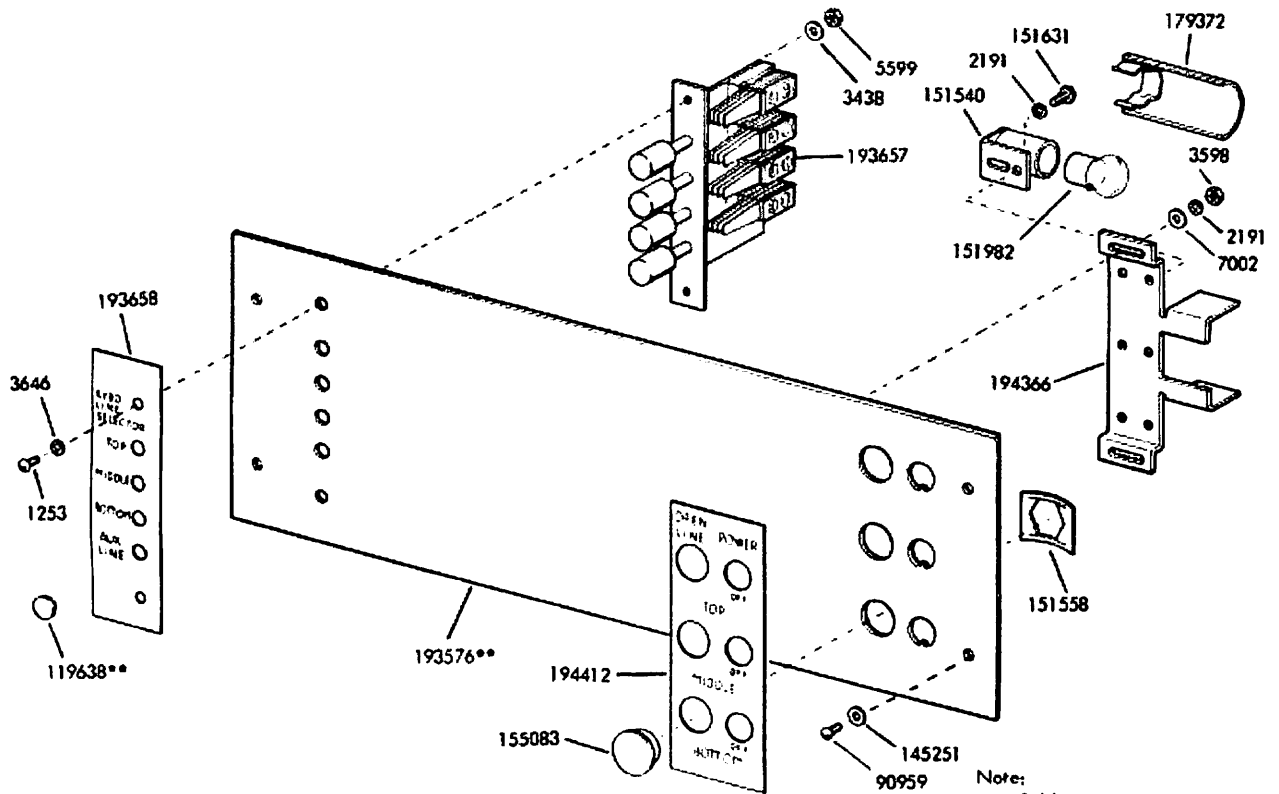
\*\*Refer to Page 1 for Finish Suffix.

FIGURE 25. KEYBOARD PANEL



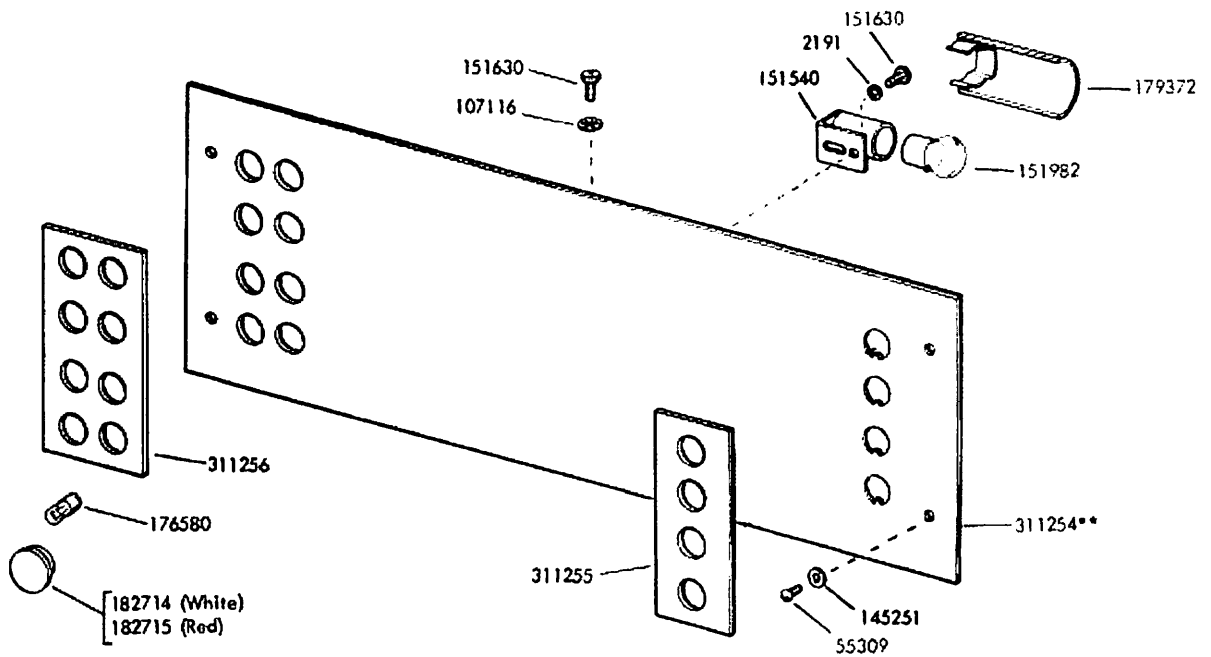
\*\*Refer to Page 1 for Finish Suffix.

FIGURE 26. FIXED CONTROL PANEL (4 Printer Cabinet)



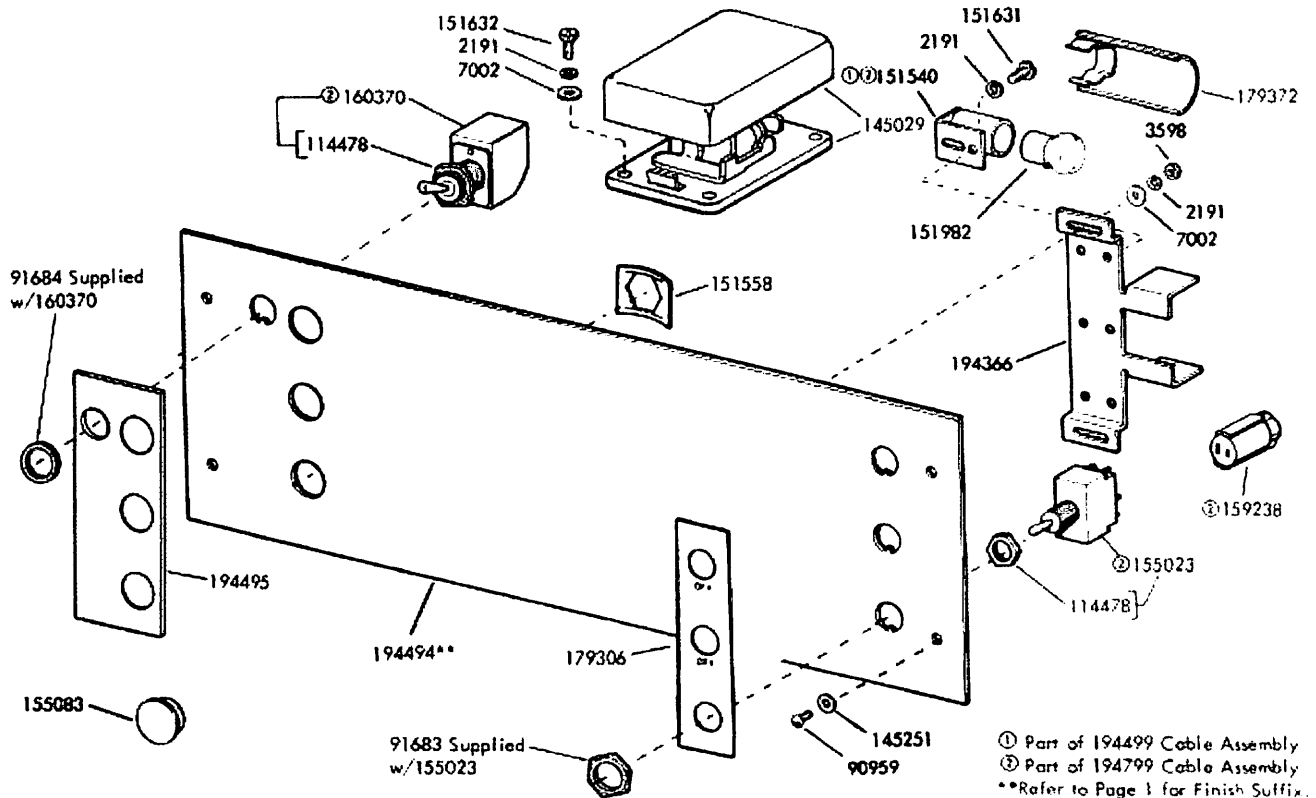
Note:  
Cable components are found on Fig. 51.  
\*\*Refer to Page 1 for Finish Suffix.

FIGURE 27. FIXED CONTROL PANEL



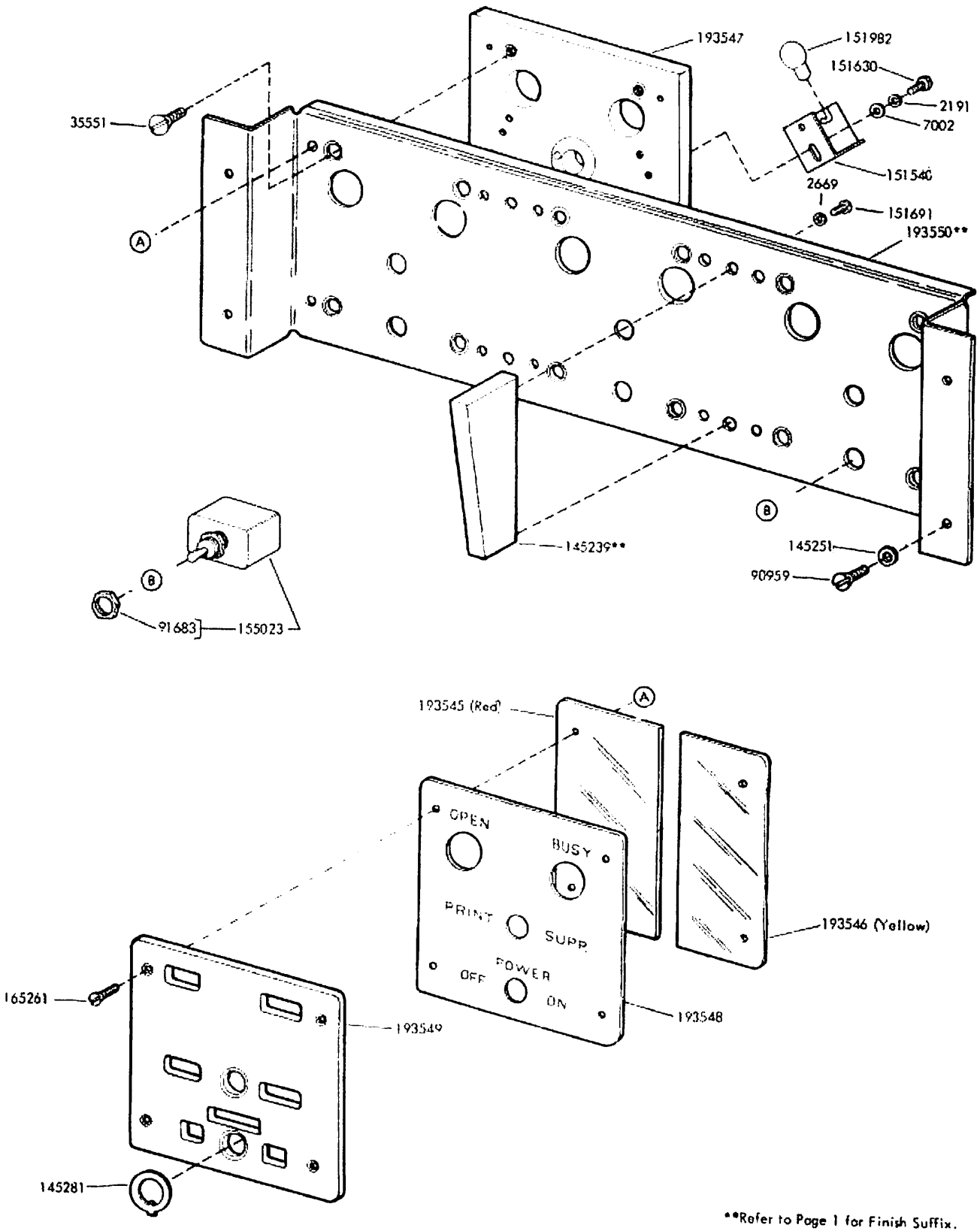
\*\*Refer to Page 1 for Finish Suffix.

FIGURE 28. FIXED CONTROL PANEL



① Part of 194499 Cable Assembly  
 ② Part of 194799 Cable Assembly  
 \*\*Refer to Page 1 for Finish Suffix.

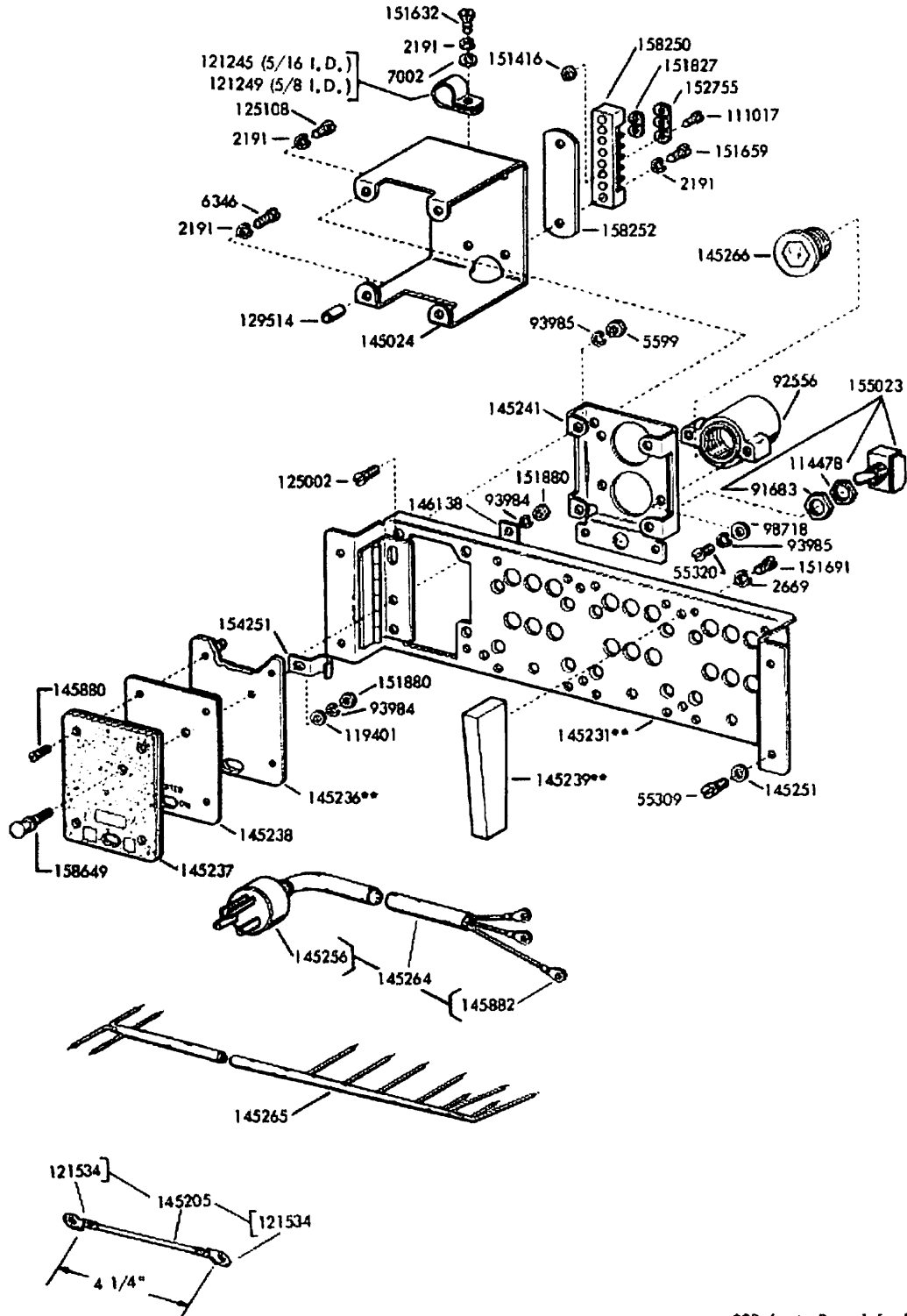
FIGURE 29. FIXED CONTROL PANEL



\*\*Refer to Page 1 for Finish Suffix.

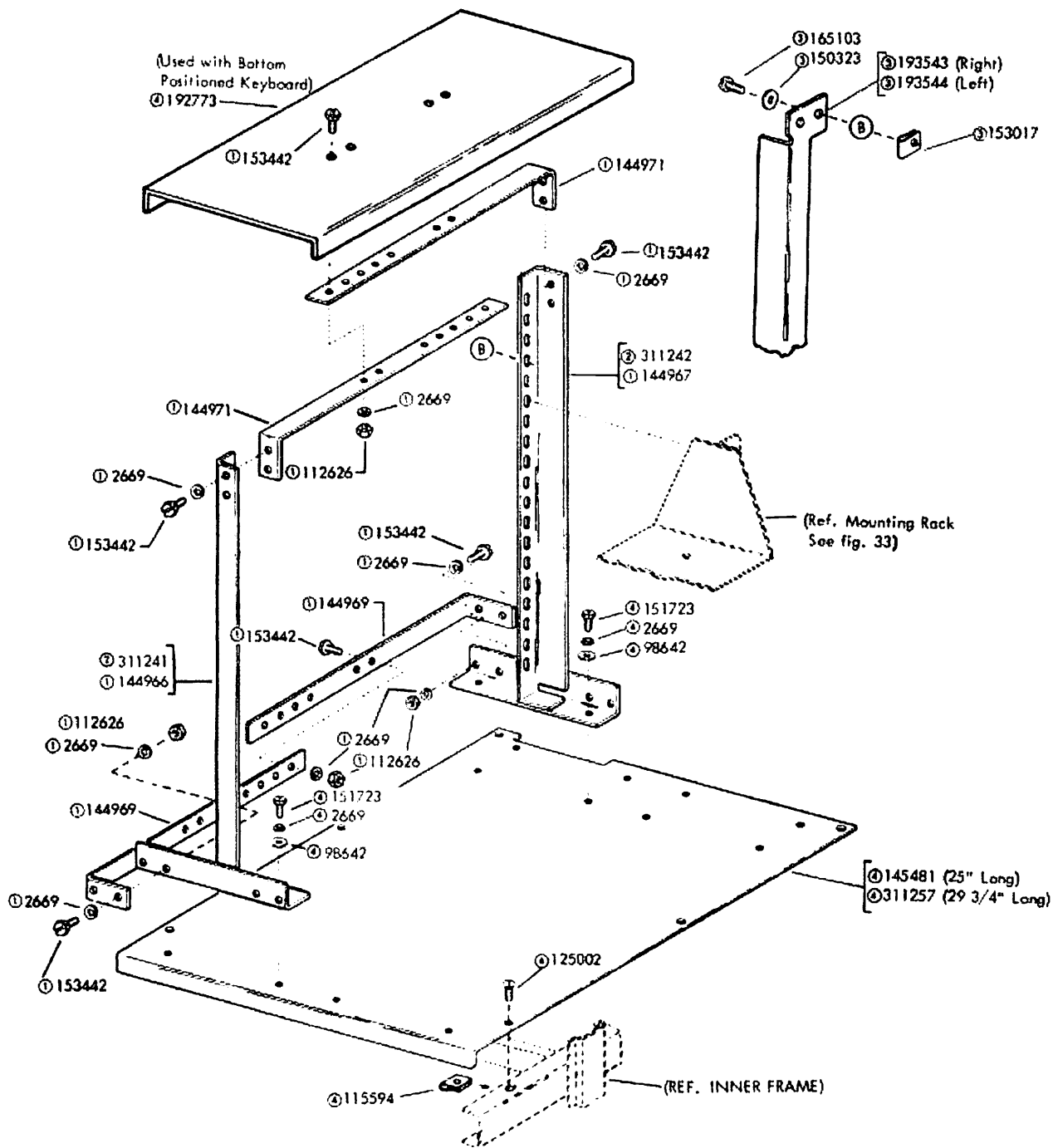
FIGURE 30. CONTROL PANEL





\*\*Refer to Page 1 for Finish Suffix

FIGURE 31. 145233\*\* CONTROL PANEL ASSEMBLY



- ① Part of the 144965 Rack Assembly
- ② Part of the 311243 Rack Assembly (22 5/16" Wide) and the 315797 Rack Assembly (23 5/16" Wide), Same as 144965 except where shown
- ③ Used with 3 Electrical Service Units
- ④ Not part of rack Assemblies

FIGURE 32. 144965, 311243 AND 315797 MOUNTING RACK ASSEMBLIES

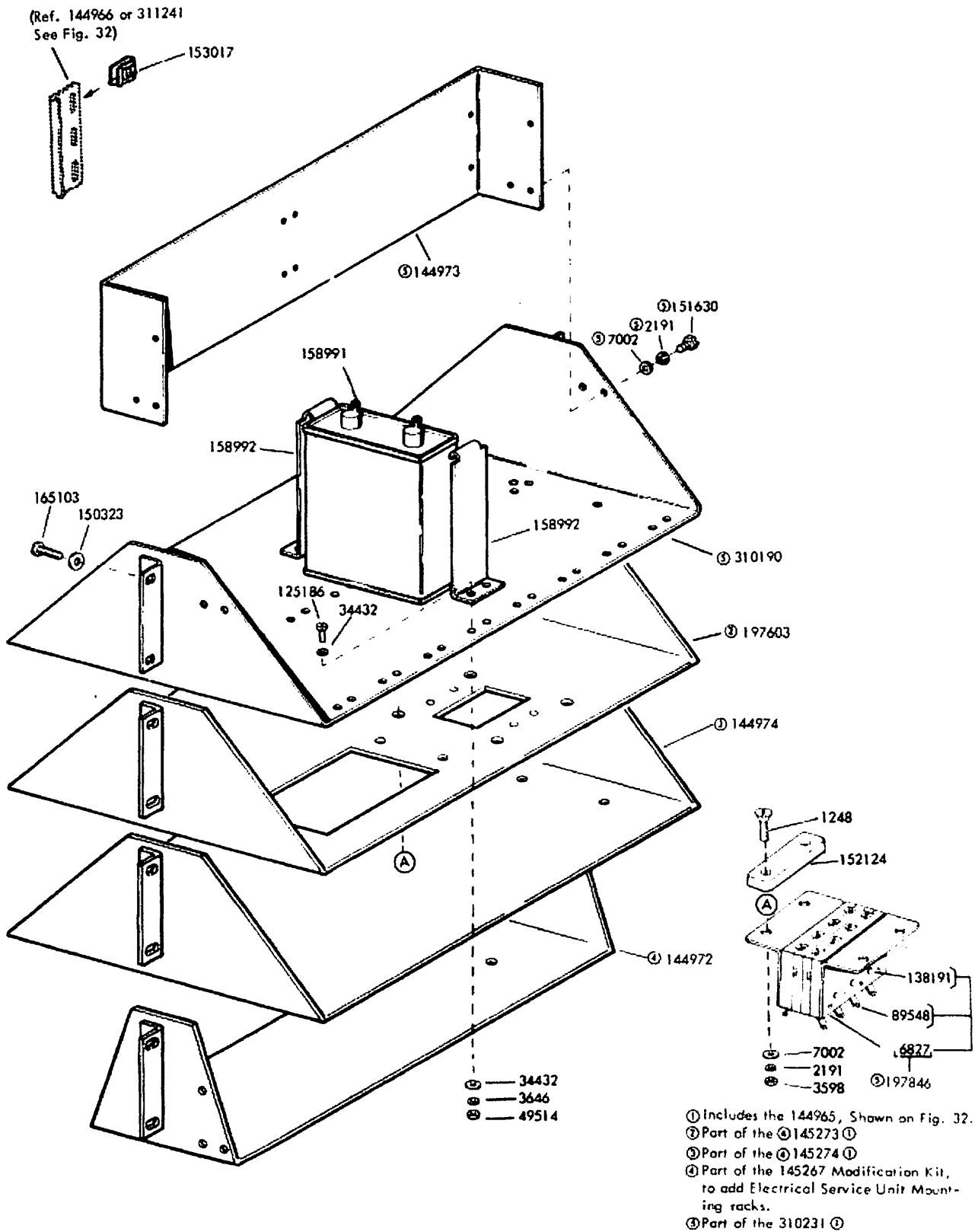


FIGURE 33. 145273, 145274 AND 310231 MOUNTING RACK ASSEMBLIES

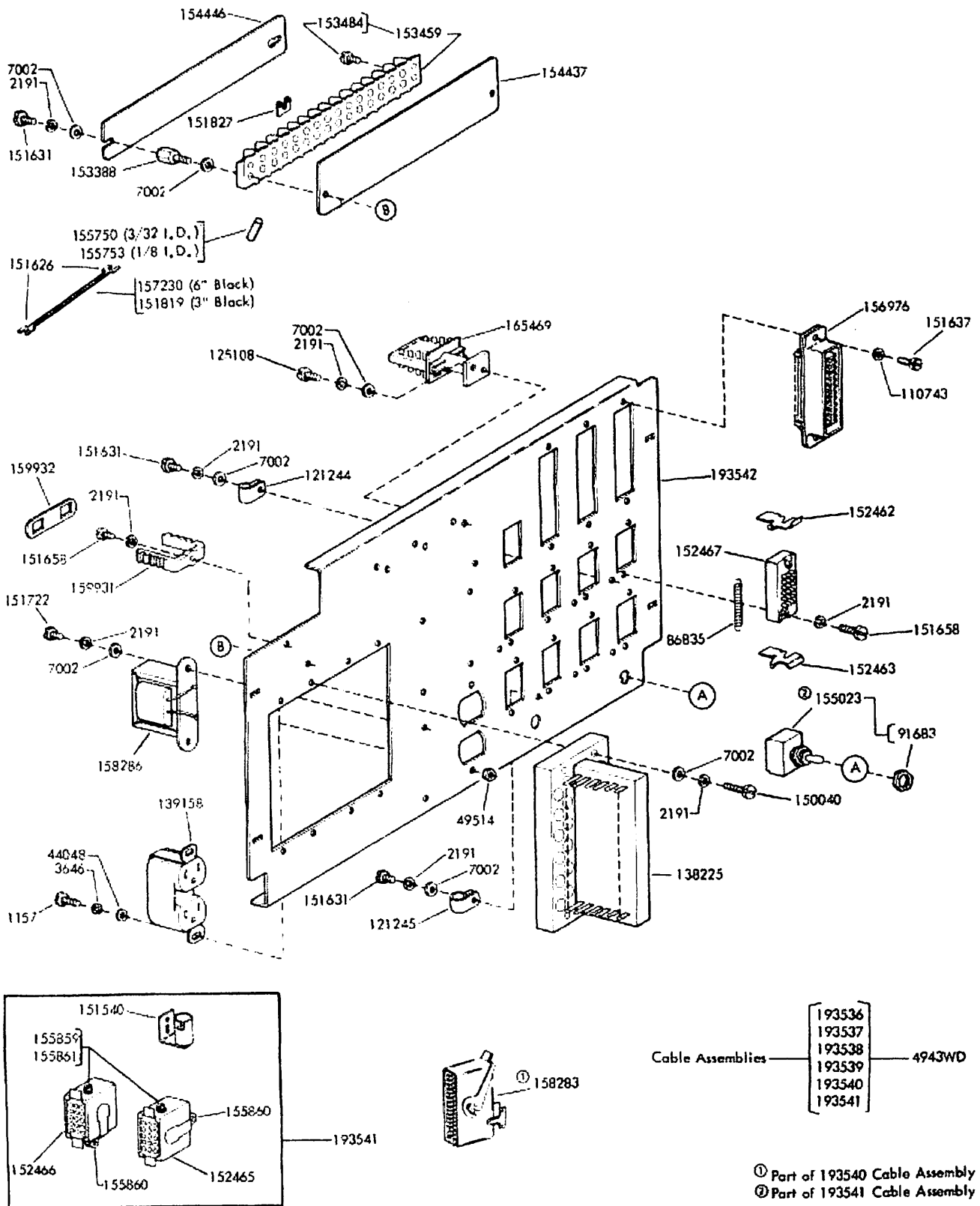


FIGURE 34. 193535 CONNECTOR PANEL ASSEMBLY

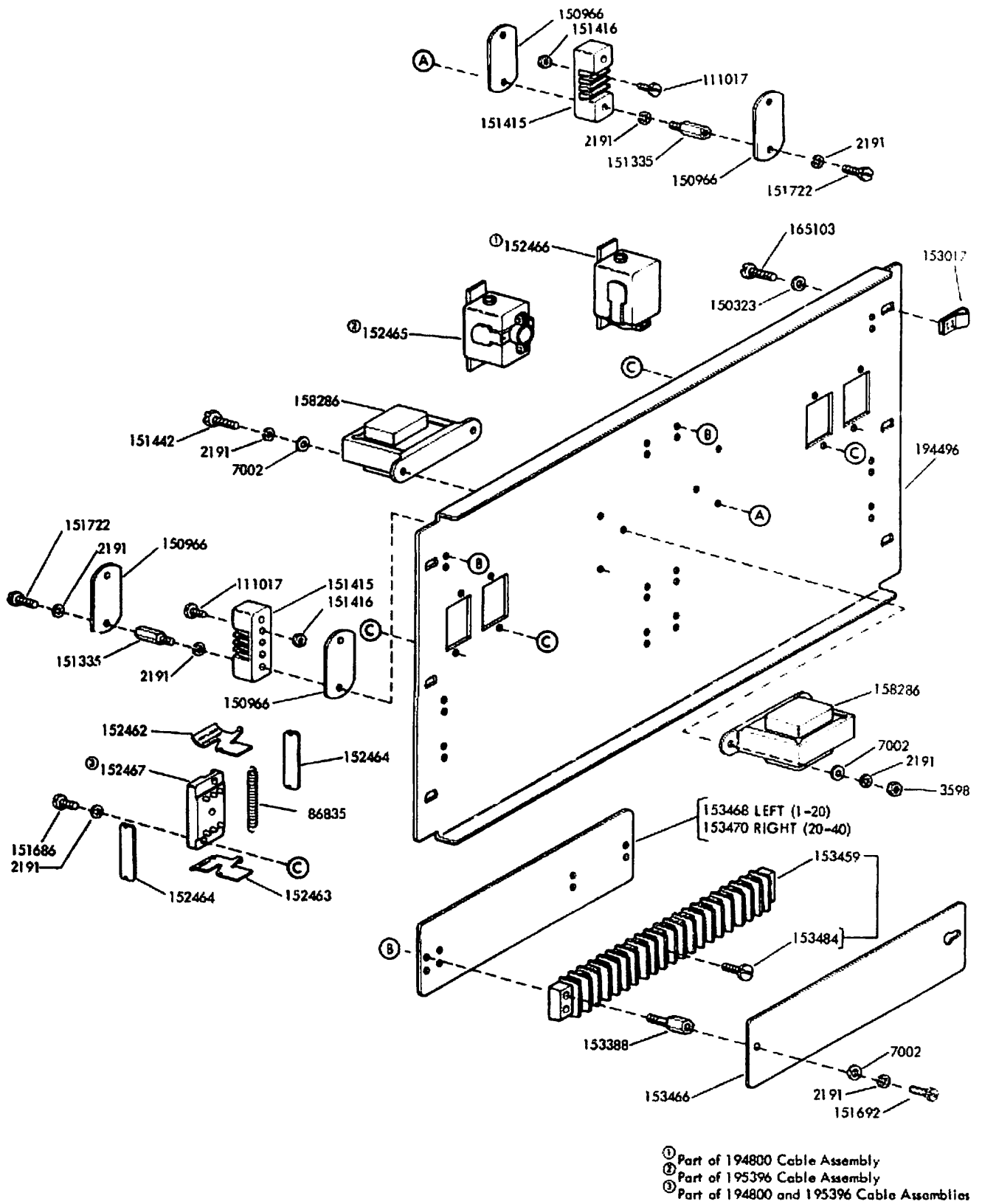


FIGURE 35. 195394 MOUNTING PLATE ASSEMBLY

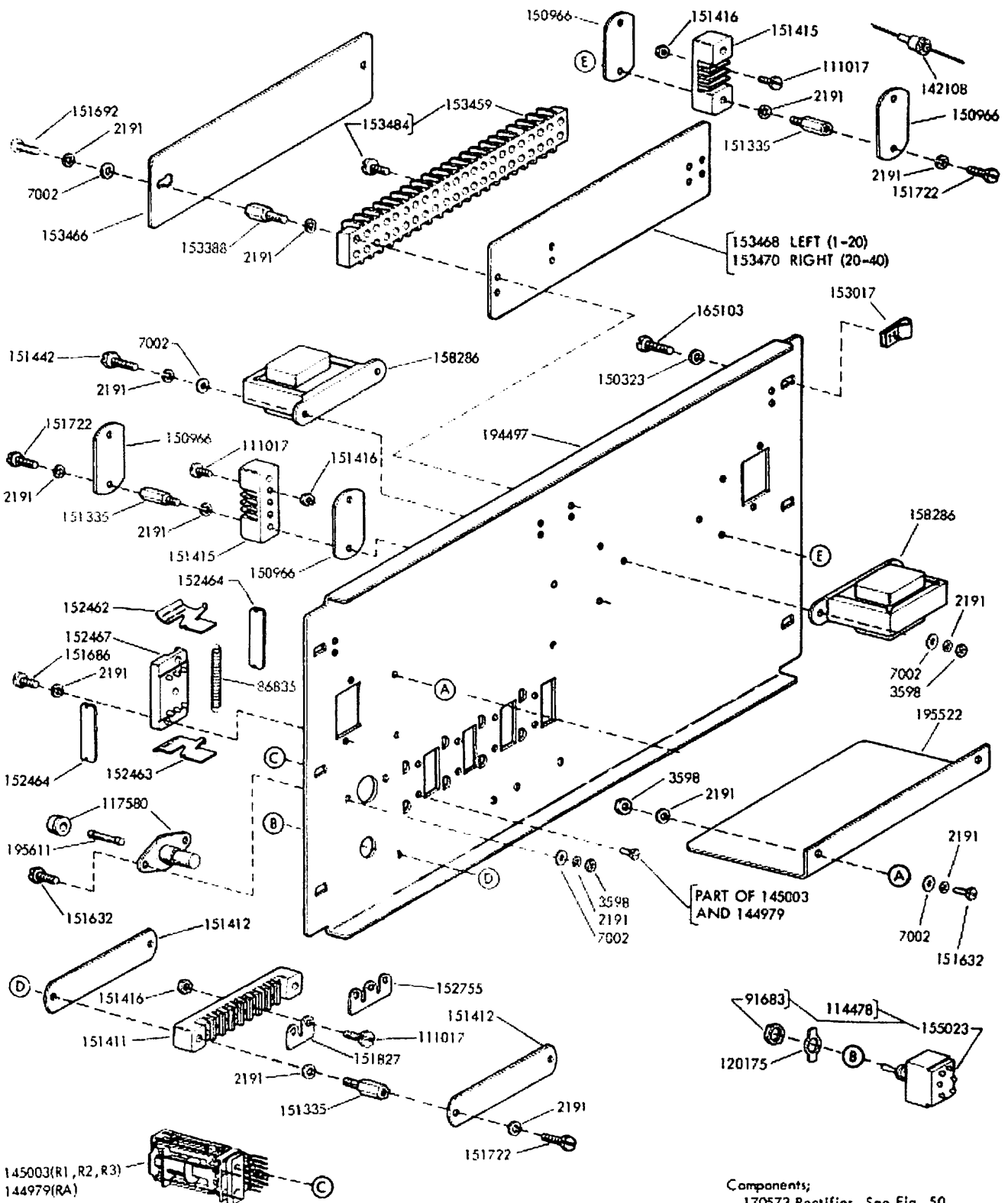
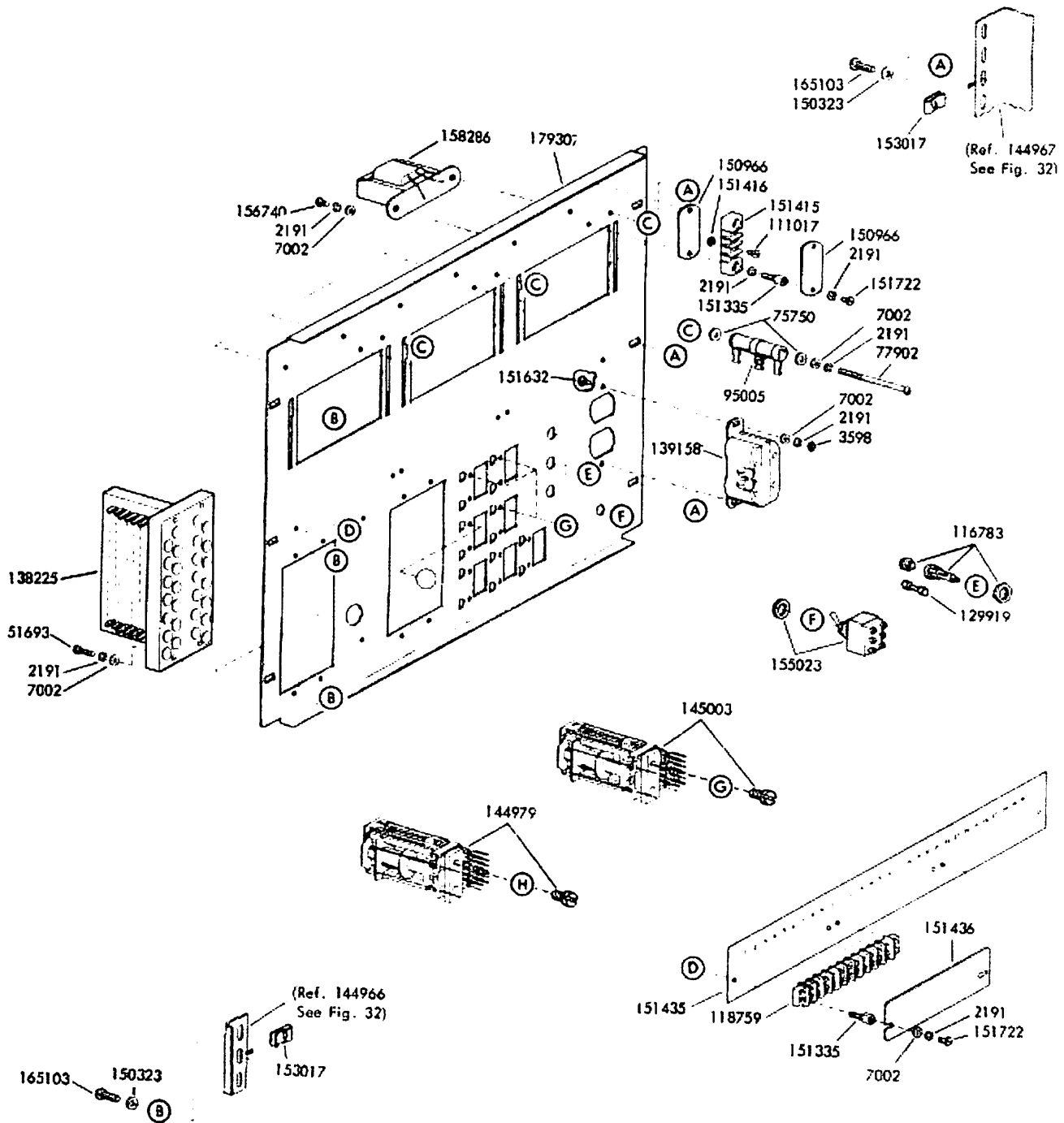


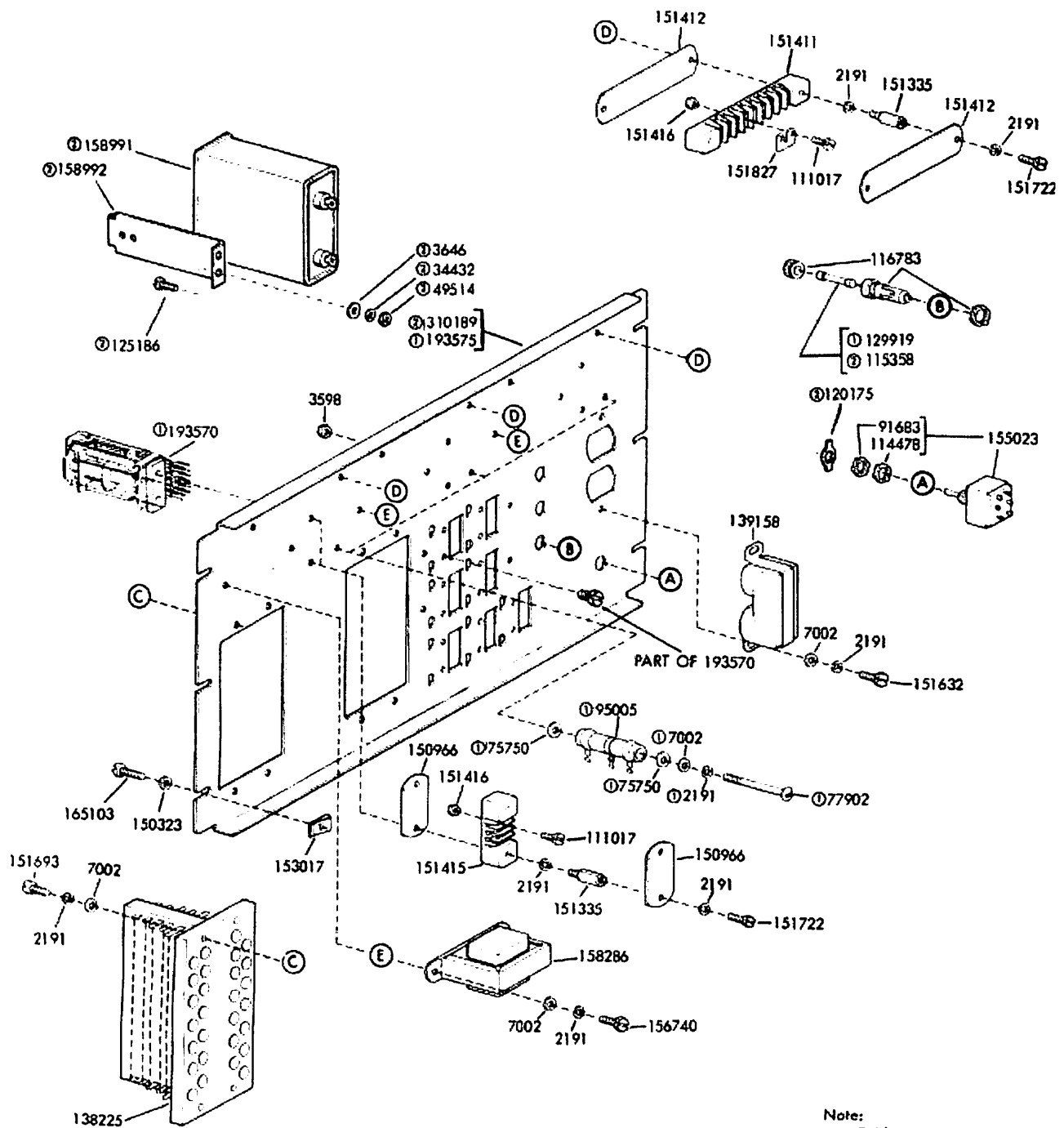
FIGURE 36. 195395 MOUNTING PLATE ASSEMBLY



Note:  
Cable components are  
found on Fig. 51.

Component:  
177010 Selector Magnet Driver (See Fig. 49)

FIGURE 37. 179373 ELECTRICAL SERVICE PANEL ASSEMBLY



Note:  
 Cable components are  
 Found on Fig. 51.

Components;  
 193569 Selector Magnet Driver (See Fig. 43)  
 310084 Selector Magnet Driver (See Fig. 45)

① Peculiar to the 193568  
 ② Peculiar to the 310083

FIGURE 38. 193568 AND 310083 ELECTRICAL SERVICE PANEL ASSEMBLIES



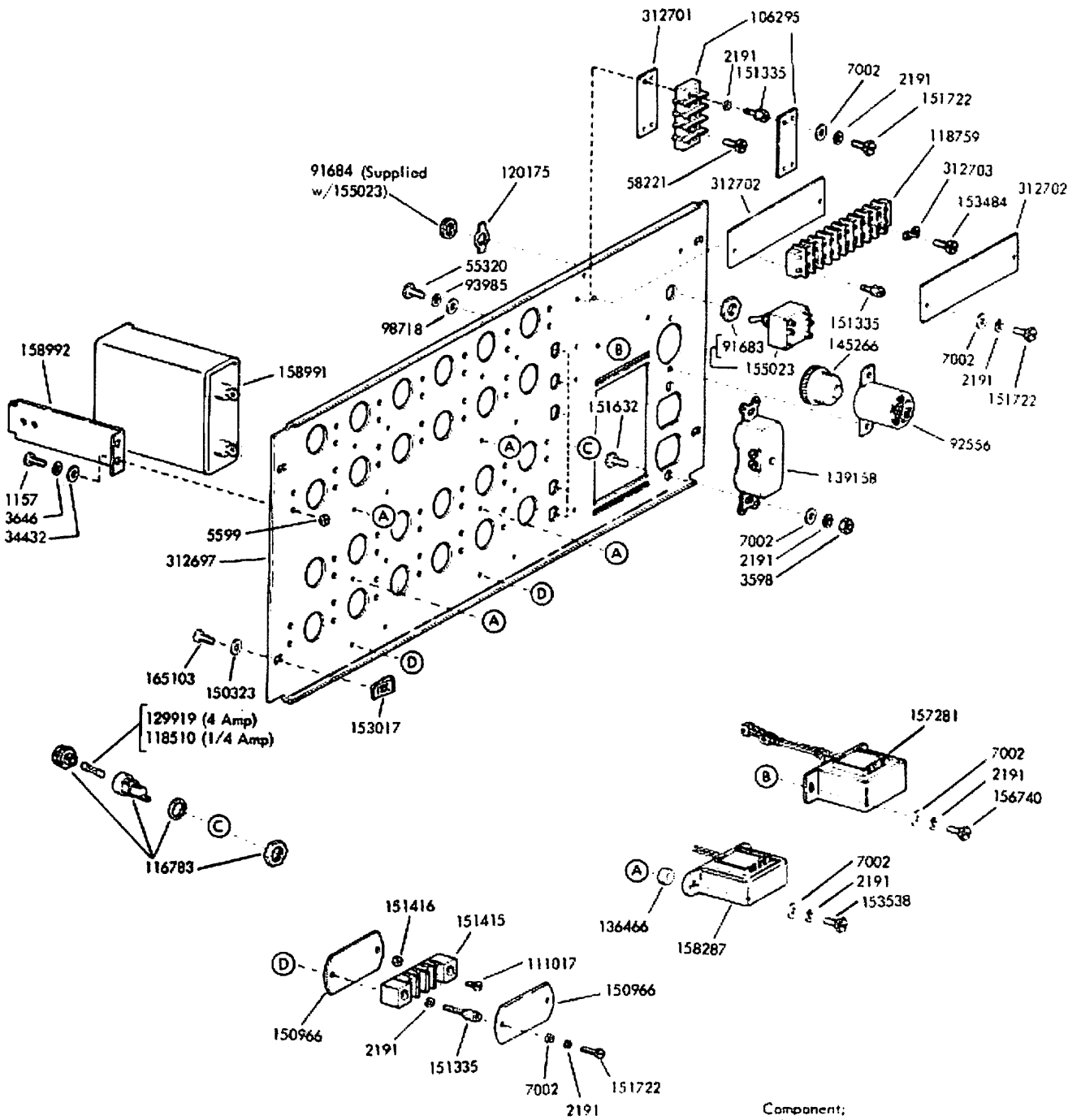


FIGURE 39. 312696 ELECTRICAL SERVICE PANEL ASSEMBLY

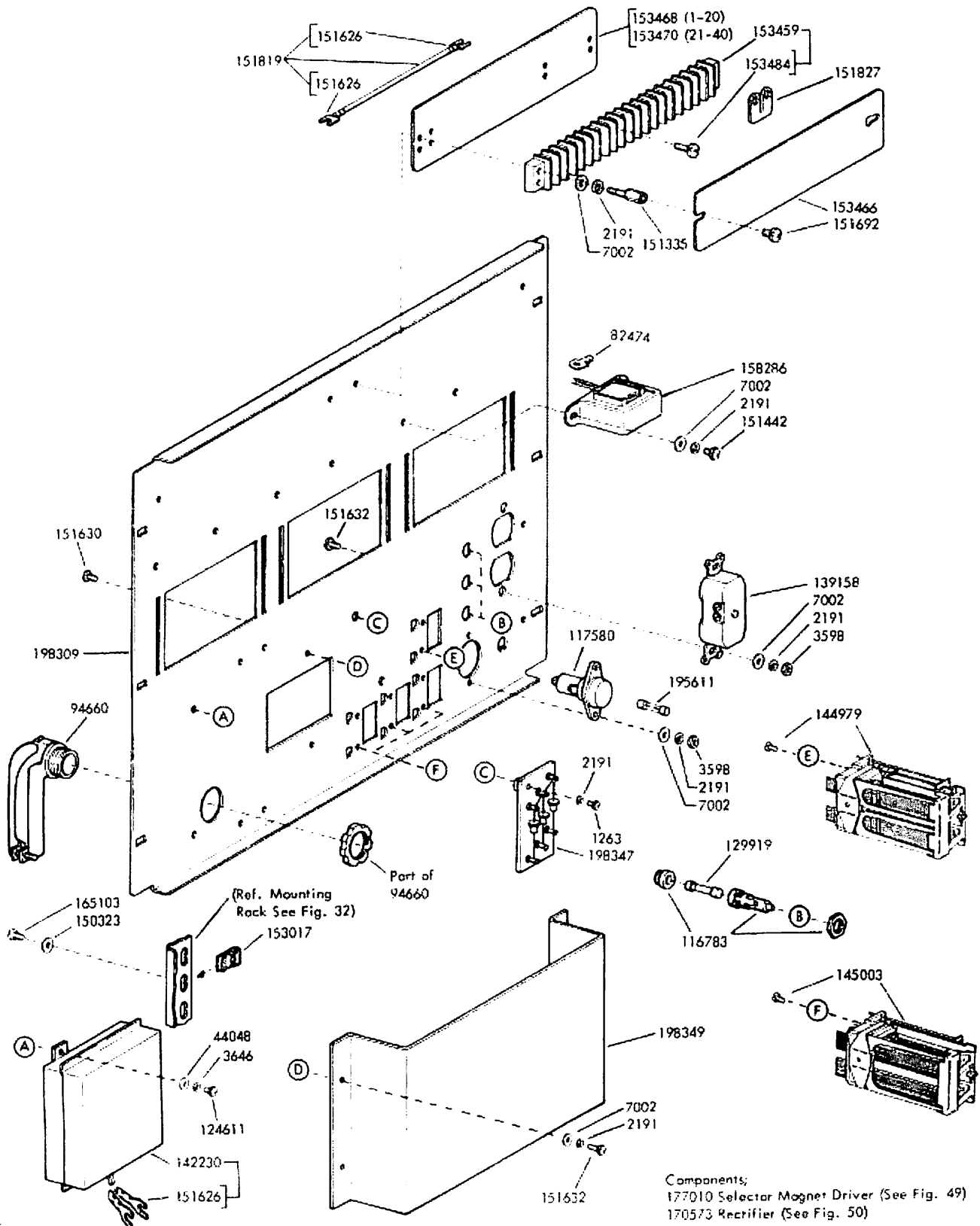
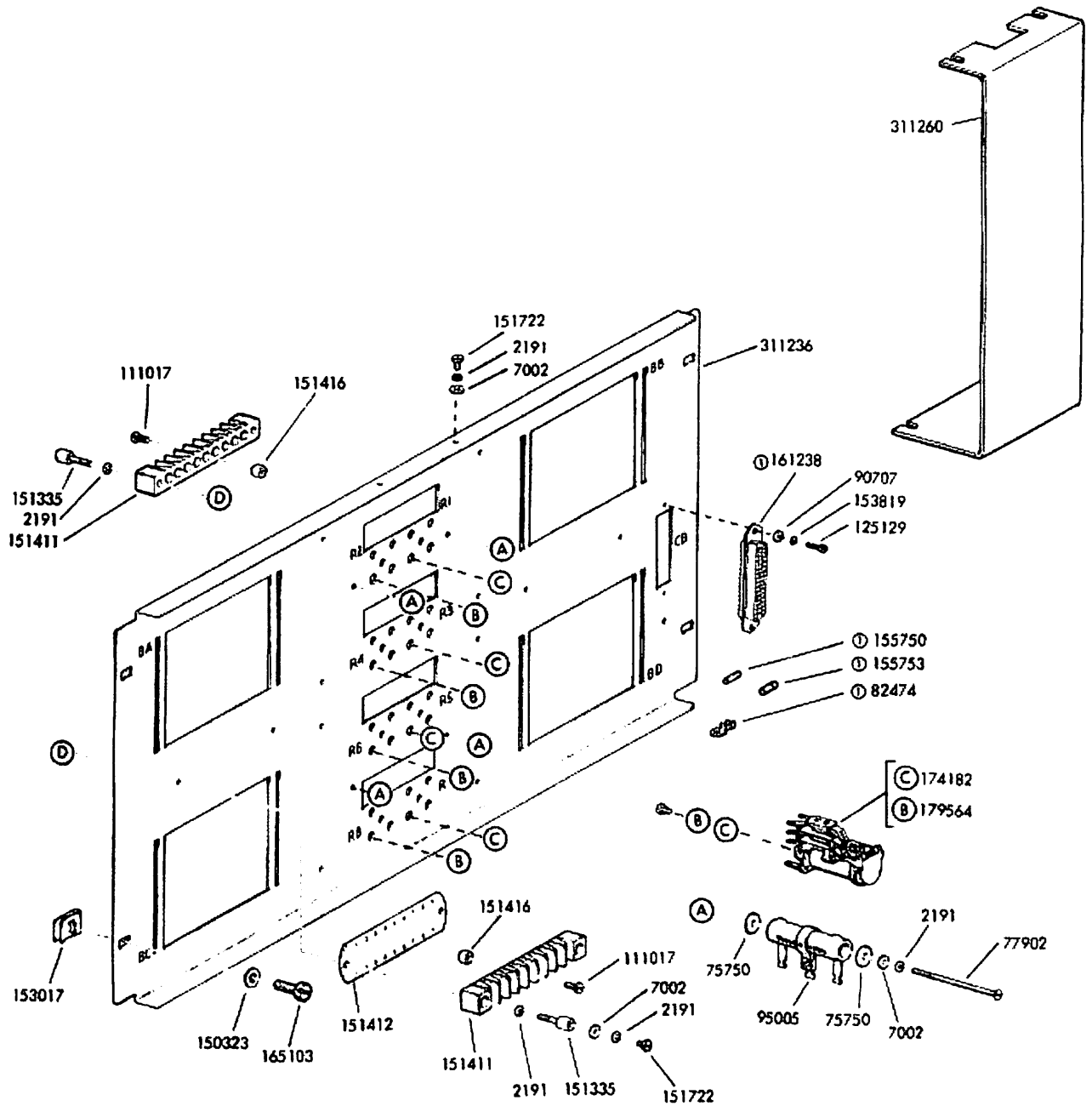
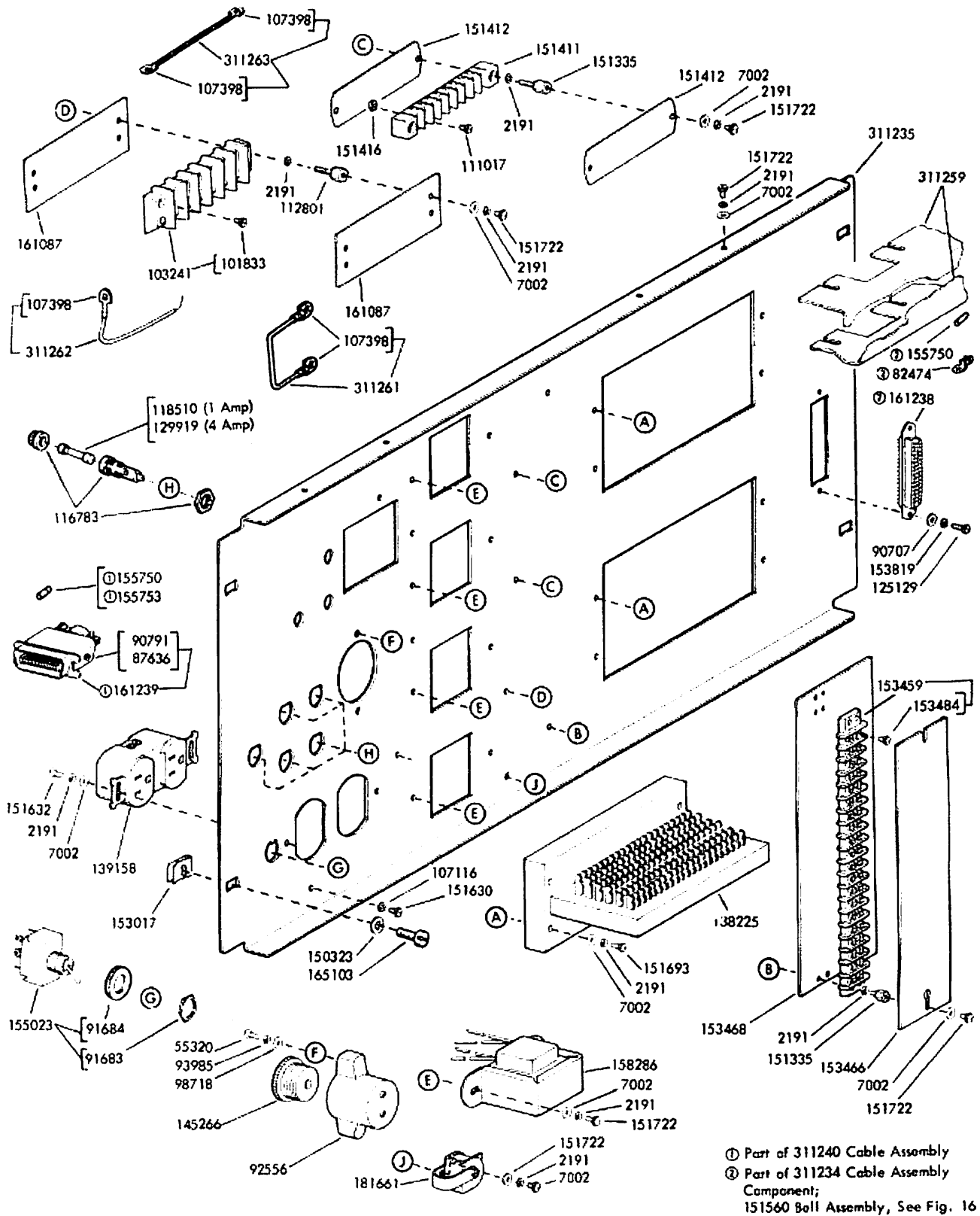


FIGURE 40. 195306 ELECTRICAL SERVICE PANEL ASSEMBLY



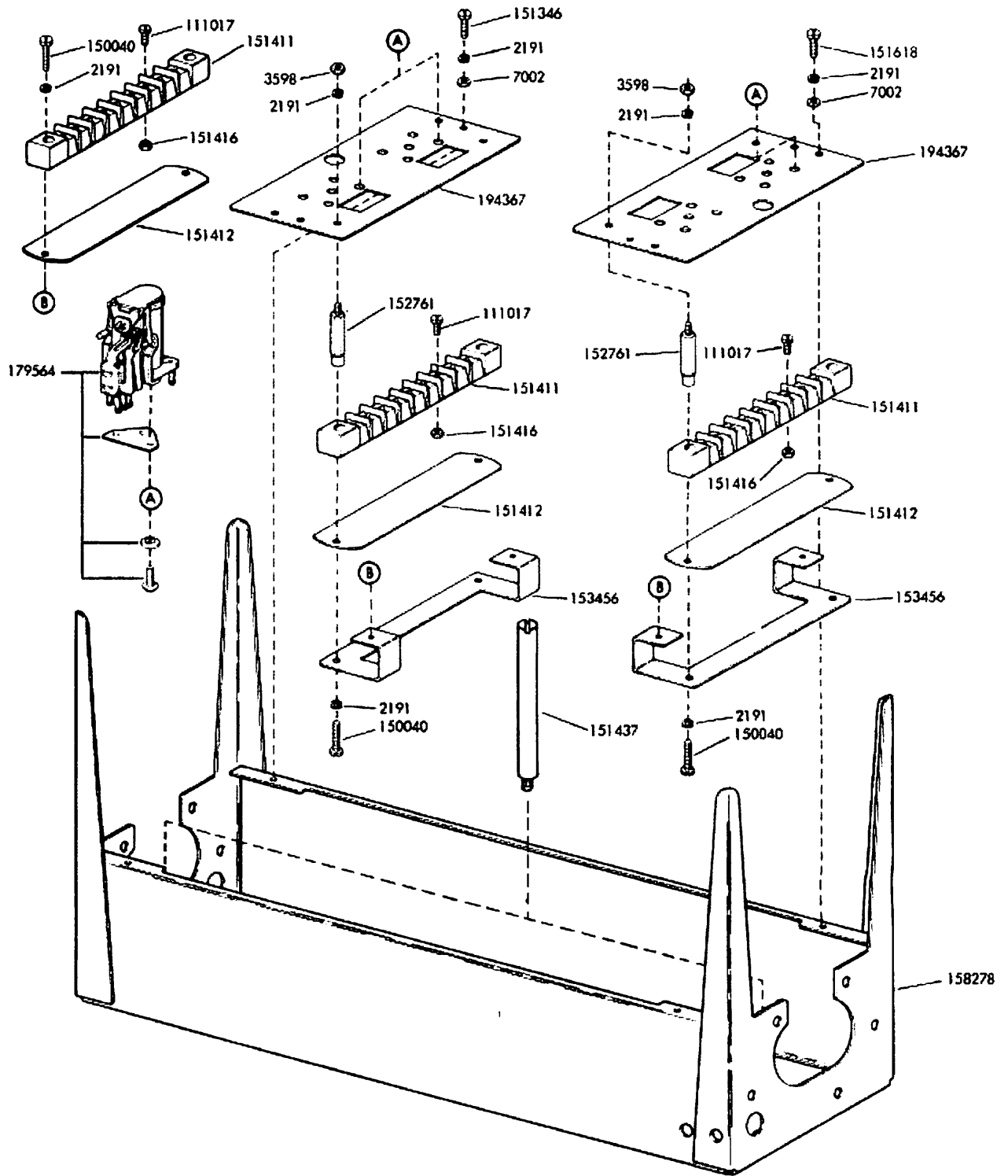
ⓐ Part of 311233 Cable Assembly Component;  
 192669 Selector Magnet Driver (See Fig. 49)

FIGURE 41. 311229 ELECTRICAL SERVICE PANEL ASSEMBLY



① Part of 311240 Cable Assembly  
 ② Part of 311234 Cable Assembly  
 Component;  
 151560 Bolt Assembly, See Fig. 16

FIGURE 42. 311229 ELECTRICAL SERVICE PANEL ASSEMBLY (Continued)



Components;  
 192669 Selector Magnet Driver Assembly (See Fig. 49)  
 194369 Selector Magnet Driver Assembly (See Fig. 49)

FIGURE 43. 193569 SELECTOR MAGNET DRIVER MOUNTING ASSEMBLY

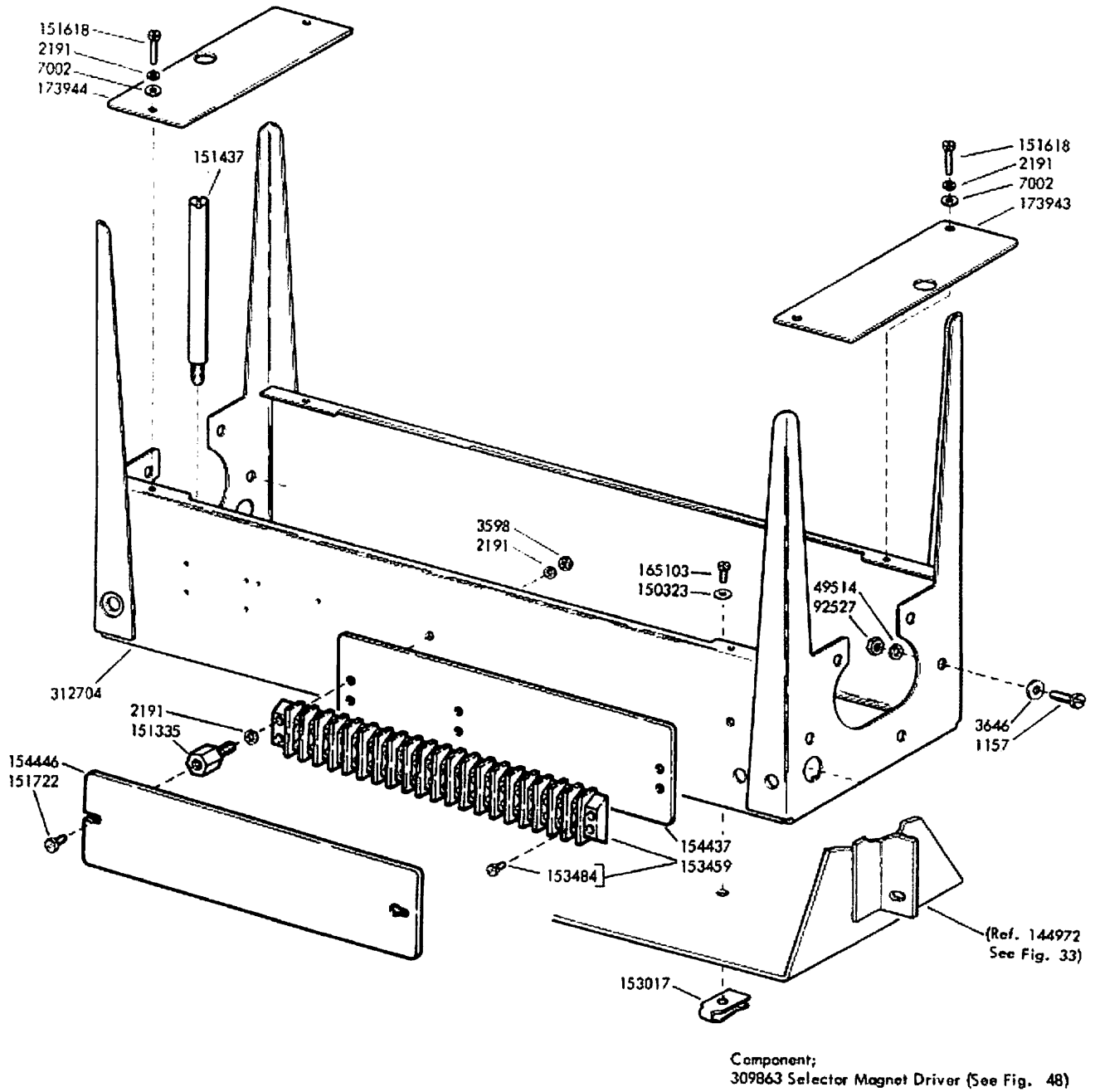
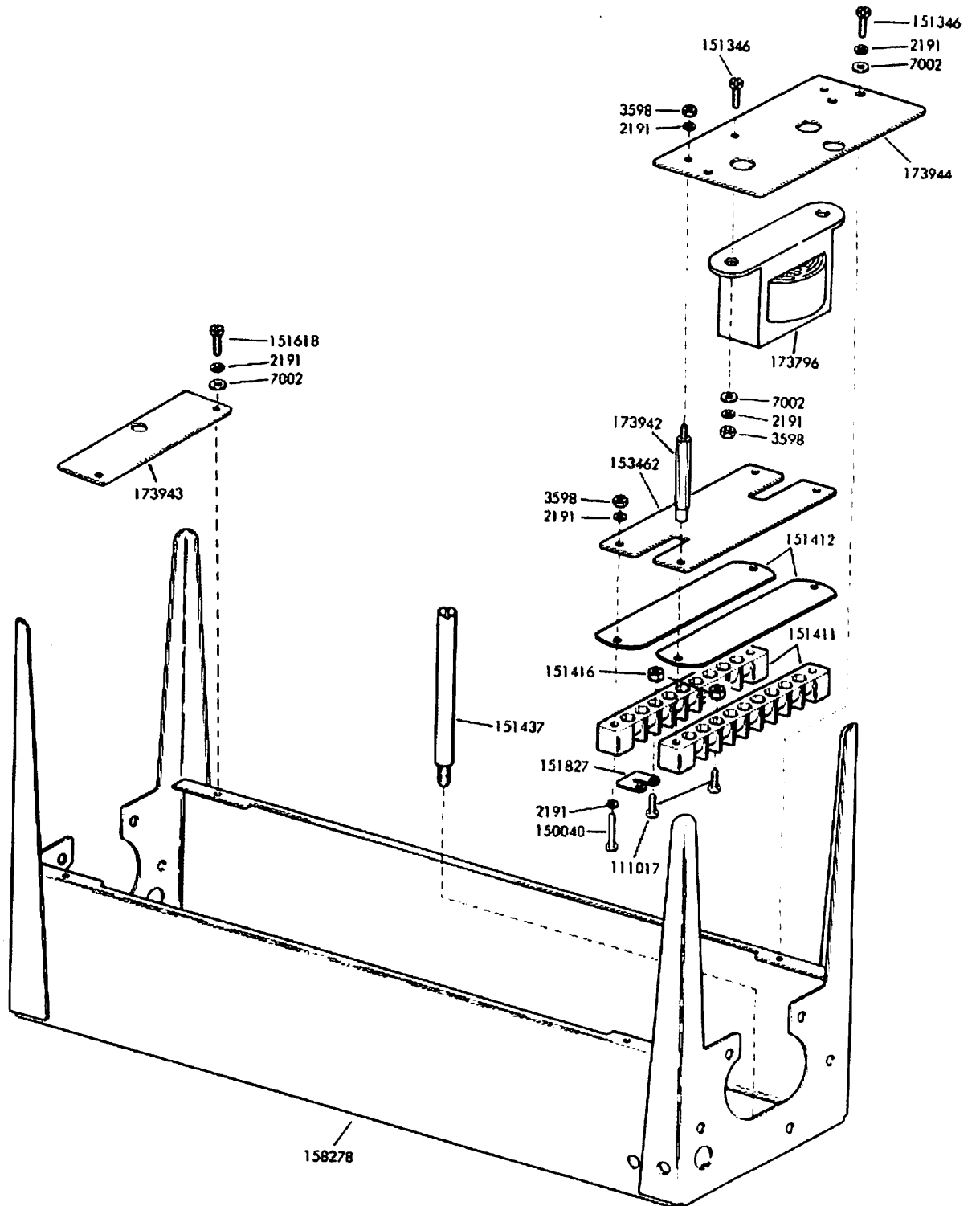
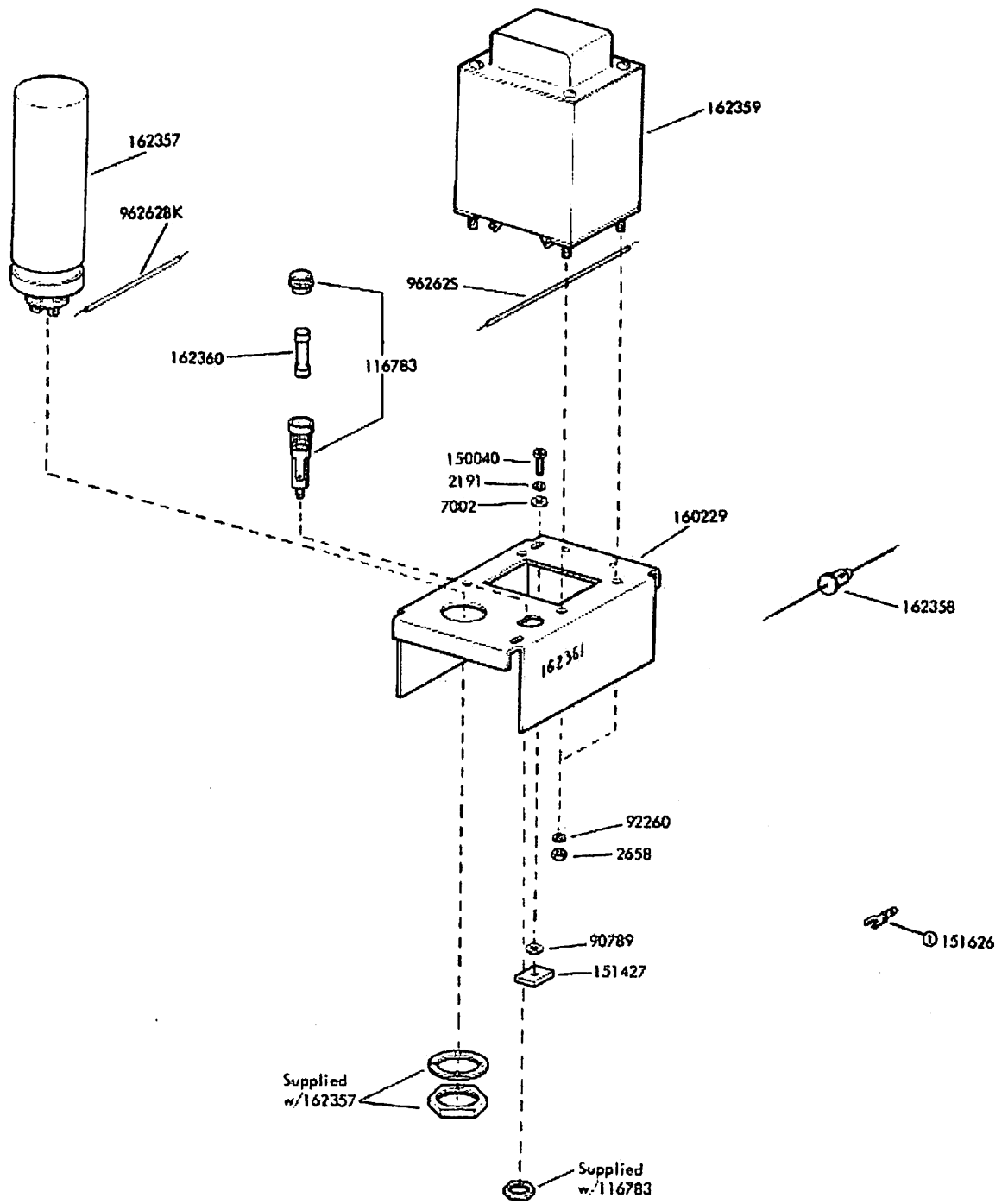


FIGURE 44. 312698 SELECTOR MAGNET DRIVER MOUNTING ASSEMBLY



Components;  
 309863 Selector Magnet Driver (See Fig. 48)  
 162361 Rectifier (See Fig. 46)

FIGURE 45. 310084 SELECTOR MAGNET DRIVER MOUNTING ASSEMBLY



Ⓞ Part of 153477 Cable

FIGURE 46. 162361 RECTIFIER ASSEMBLY



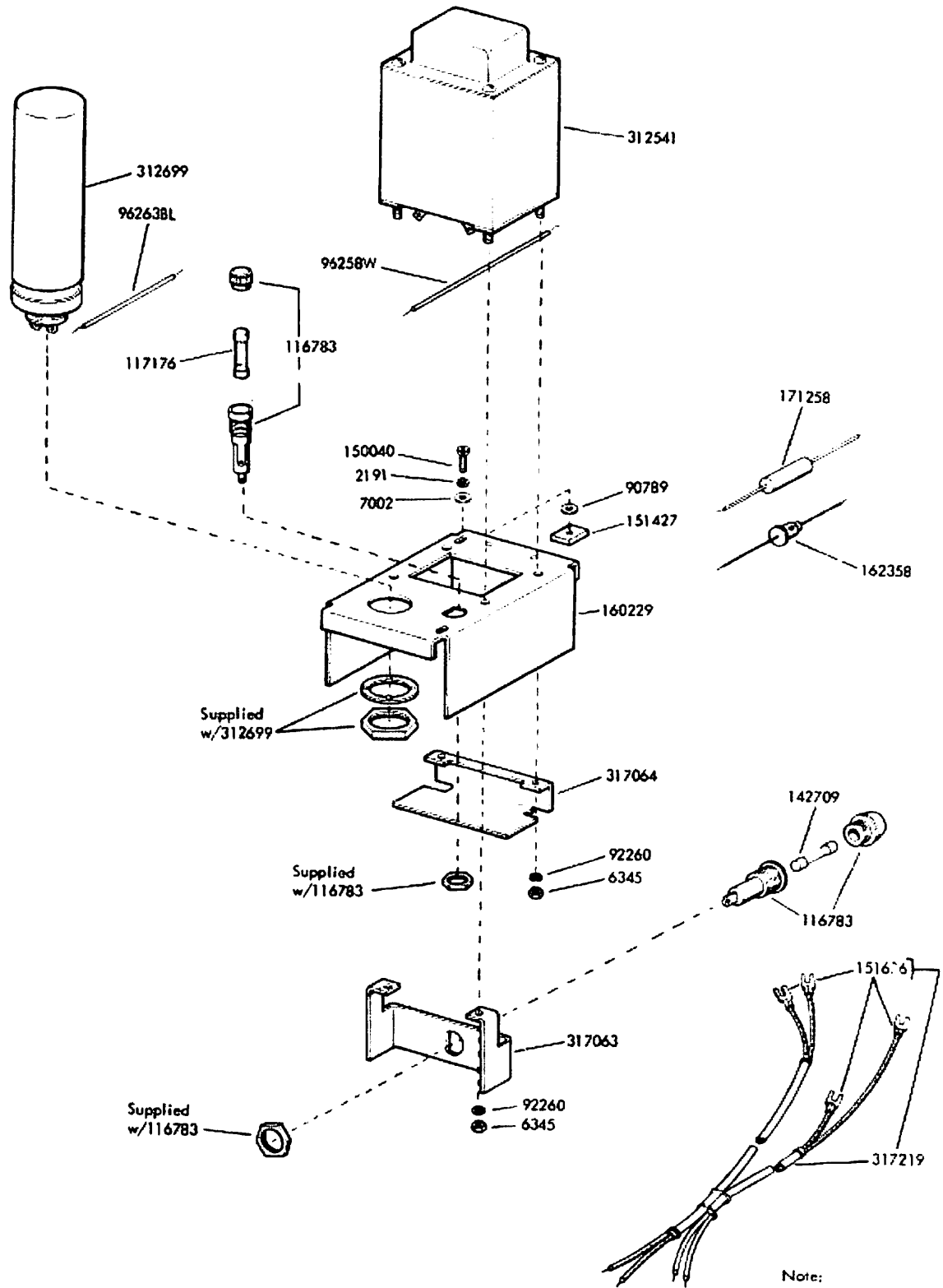


FIGURE 47. 312542 RECTIFIER ASSEMBLY

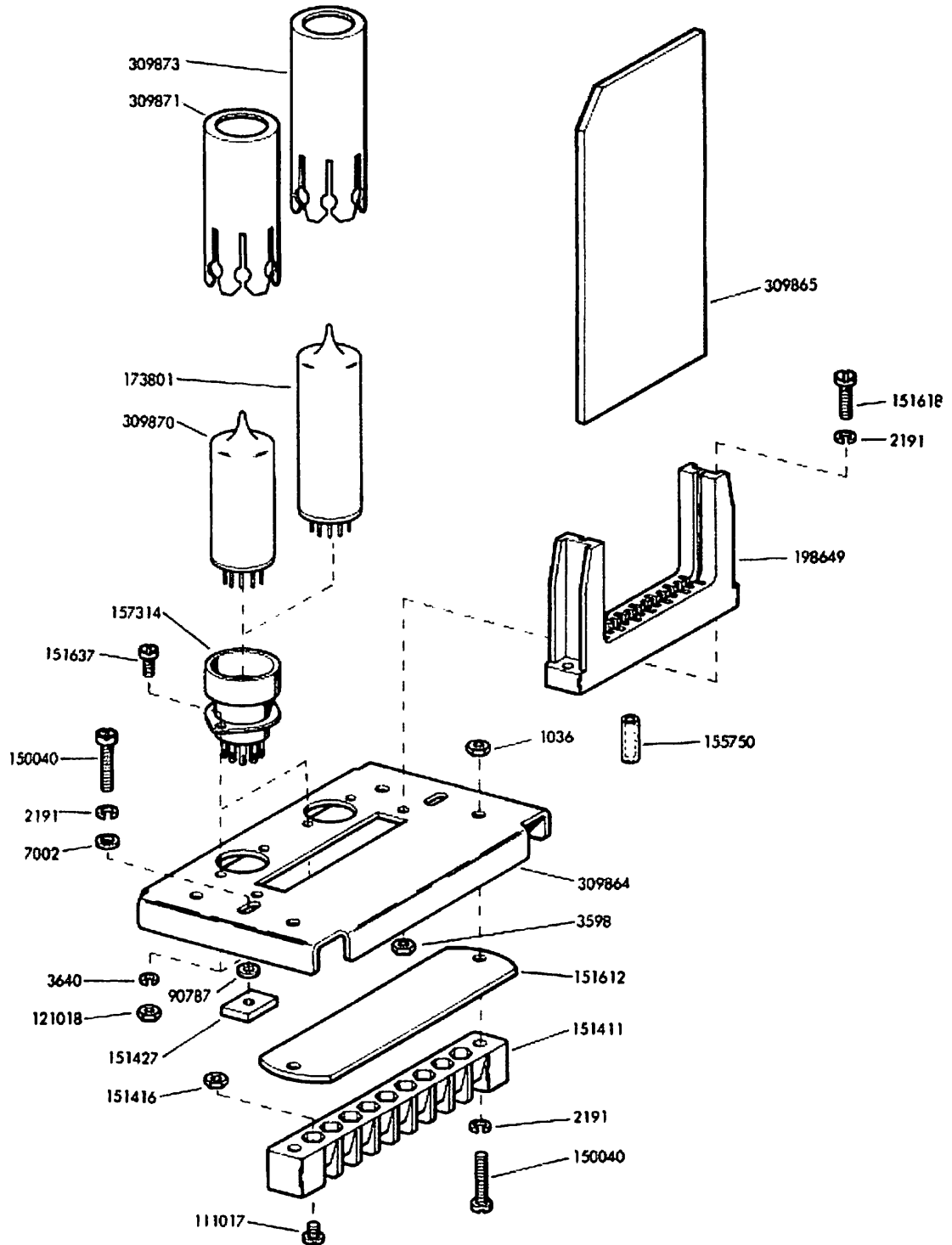


FIGURE 48. 309863 SELECTOR MAGNET DRIVER ASSEMBLY

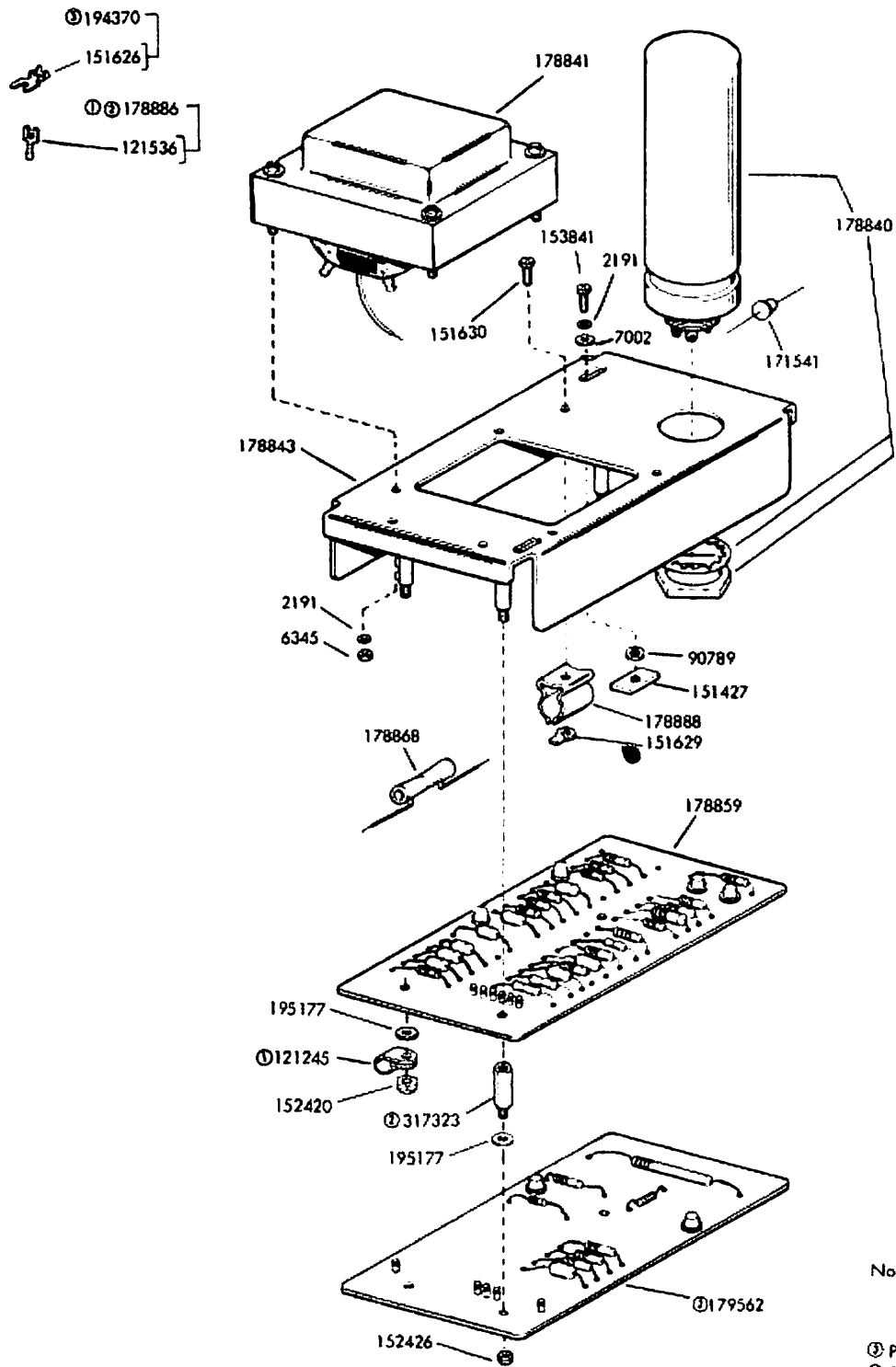
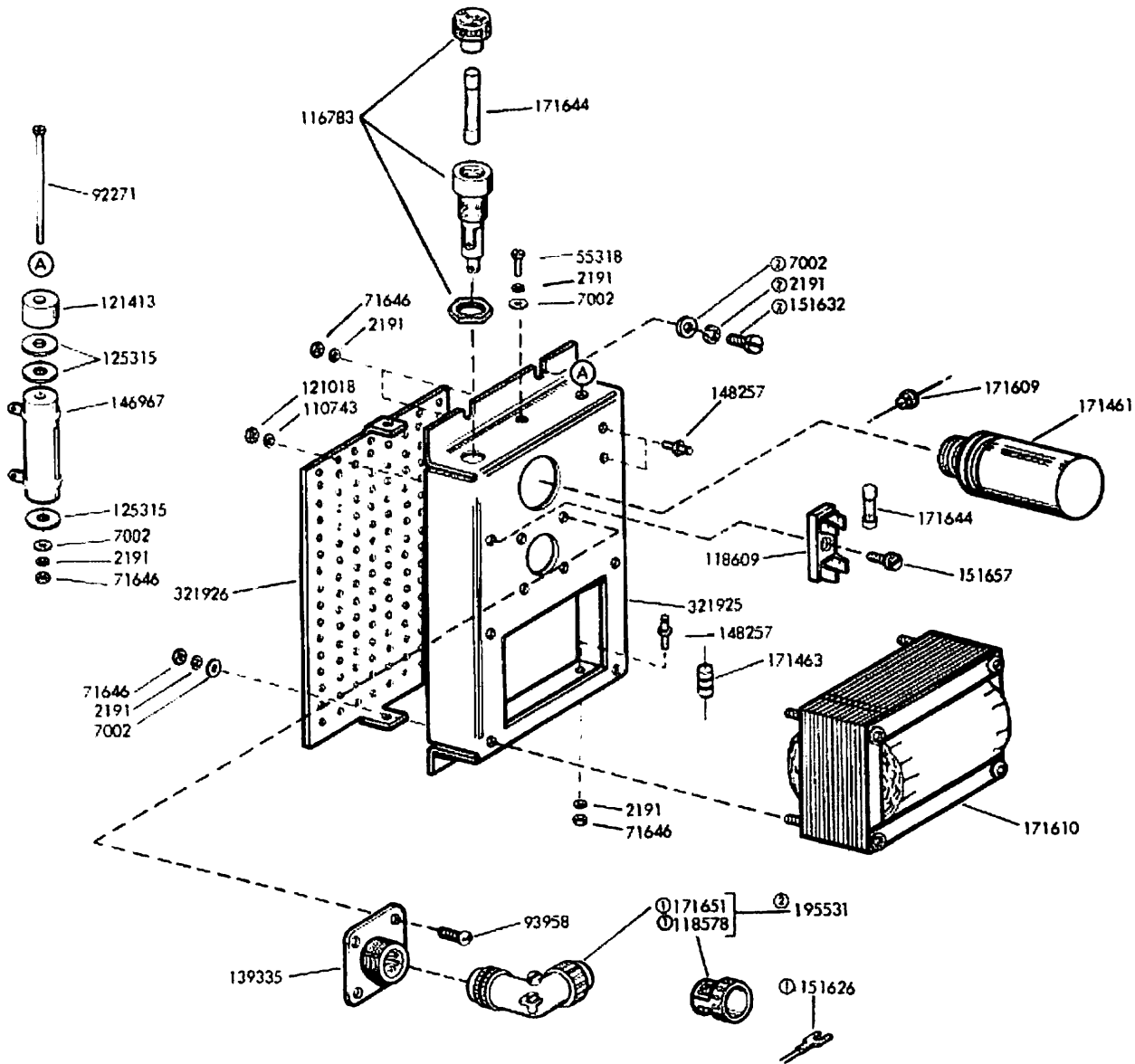



FIGURE 49. 177010, 192669 AND 194369 SELECTOR MAGNET DRIVER ASSEMBLIES




ⓐ Part of the 195531 Cable Assembly  
 ⓑ Not part of 170573 Rectifier Assembly.

FIGURE 50. 170573 RECTIFIER ASSEMBLY



CABLE CLAMP		
Part Number	Width	I.D.
121242	3/8"	1/8"
121243	3/8"	3/16"
121244	3/8"	1/4"
121245	3/8"	5/16"
121246	3/8"	3/8"
121247	3/8"	7/16"
121248	3/8"	1/2"
121249	1/2"	5/8"
121250	1/2"	3/4"
121251	1/2"	1"



INSULATING SLEEVE		
Part Number	Length	I.D.
155750	1/2"	3/32"
155751	1"	1/8"
155752	1/2"	5/64"
155753	1/2"	1/8"
155754	1/2"	1/16"
155755	5/8"	11/64"
181892	1"	9/64"

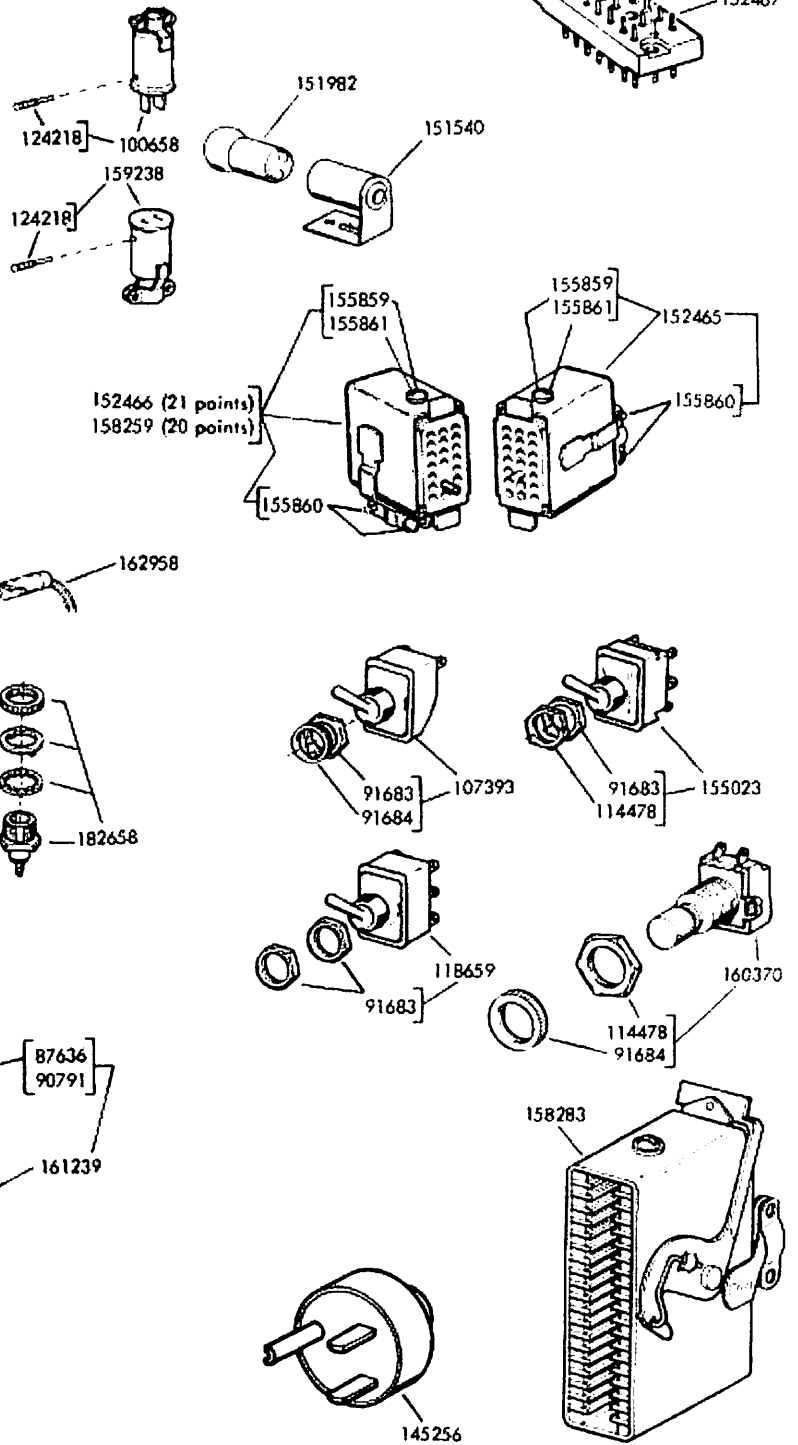
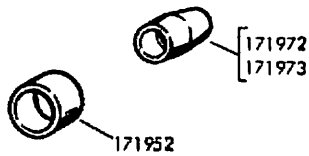
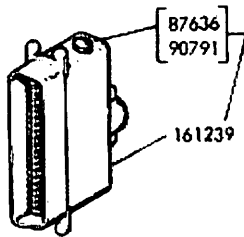
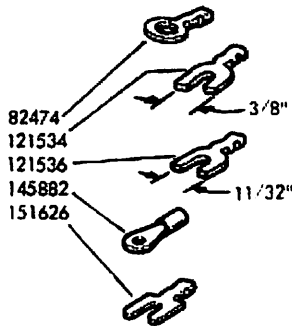


FIGURE 51. CABLE COMPONENTS

Driven Wheel Diameter	Driven Wheel	"O" Ring Belt
6-3/16"	164723	164734
5-1/2"	146313	146314

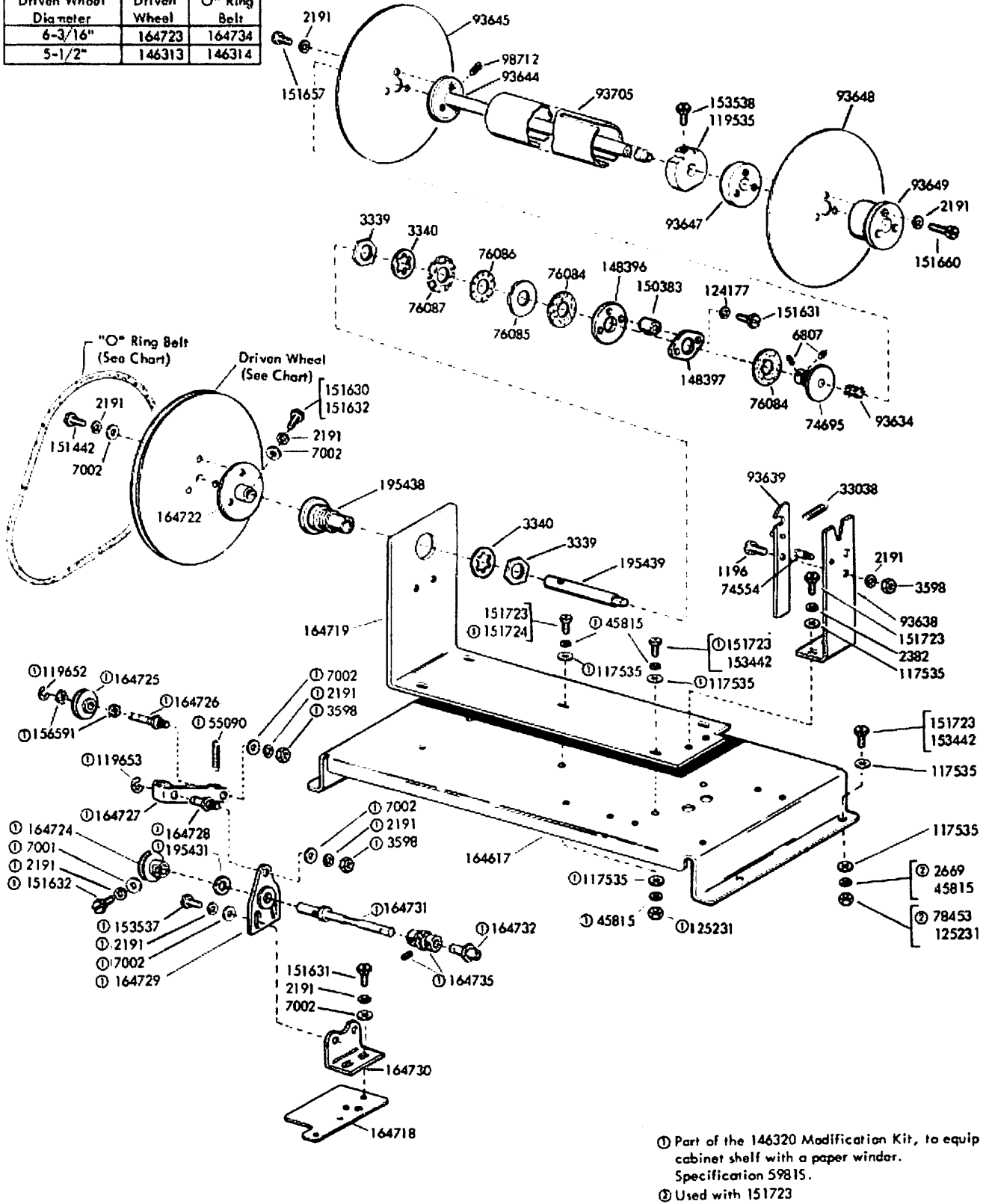


FIGURE 52. 164925 MODIFICATION KIT: TO ADD PAPER WINDER

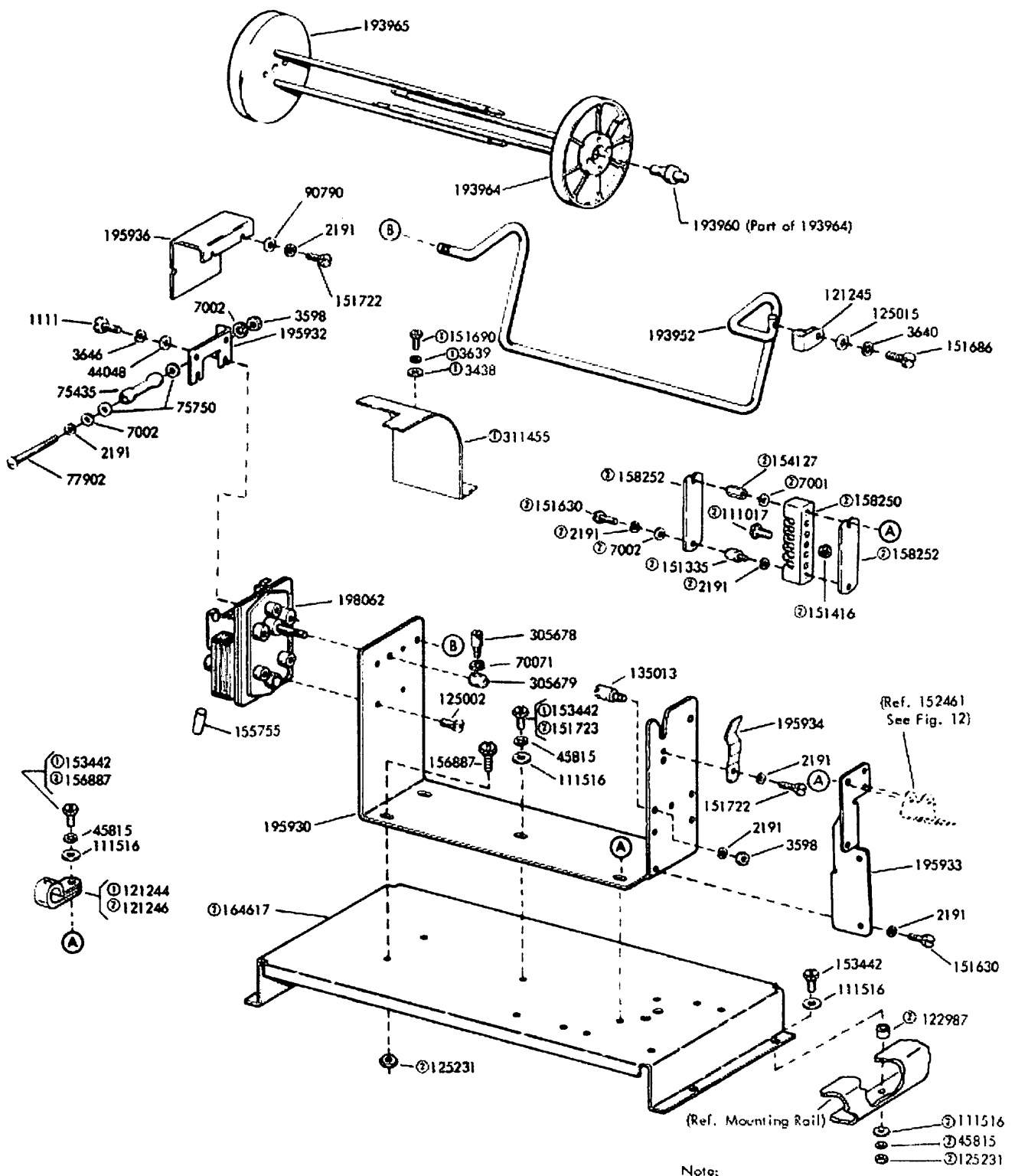
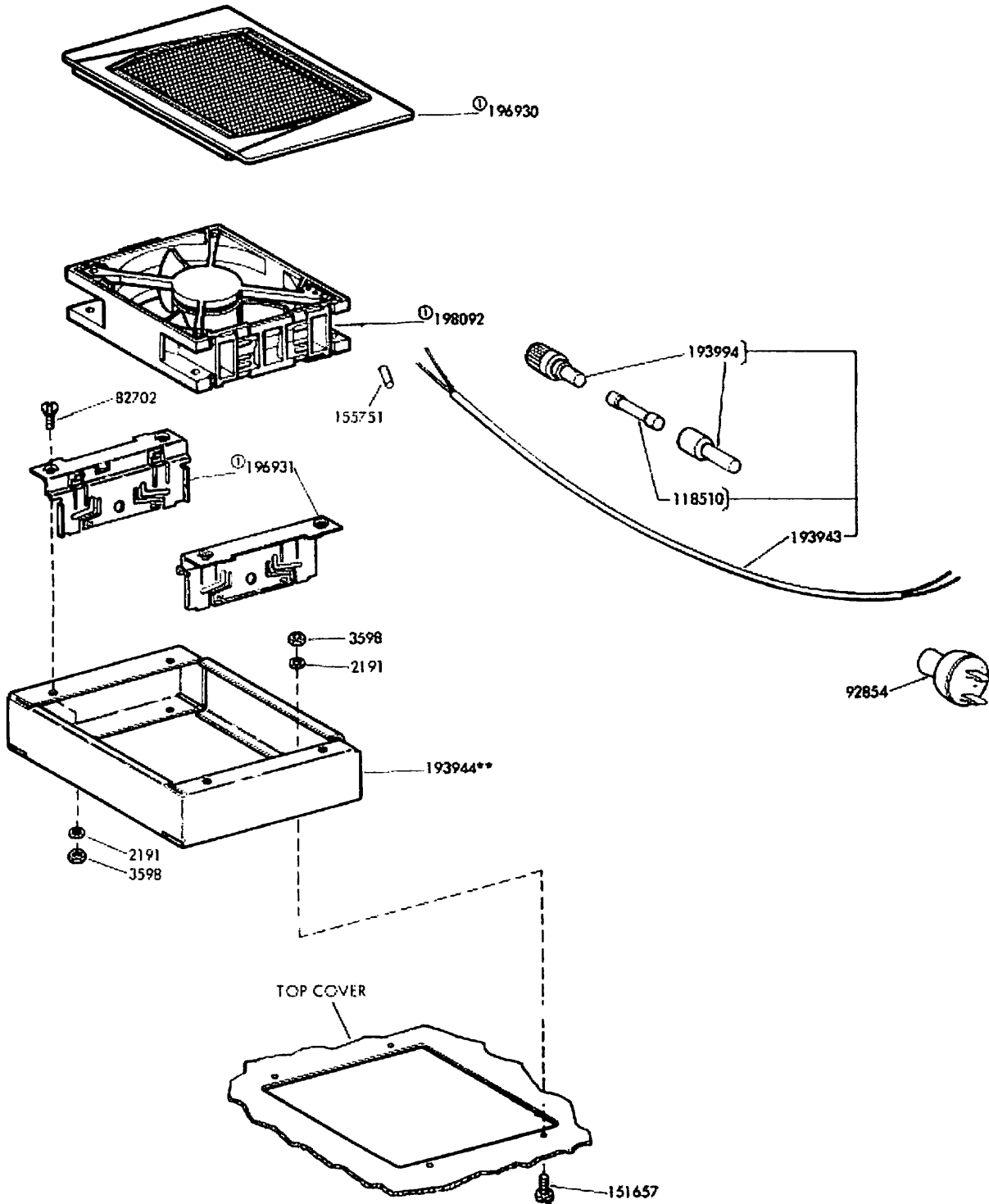


FIGURE 53. 195921 AND 195922 MODIFICATION KITS: TO ADD PAPER WINDING FACILITIES TO CABINETS

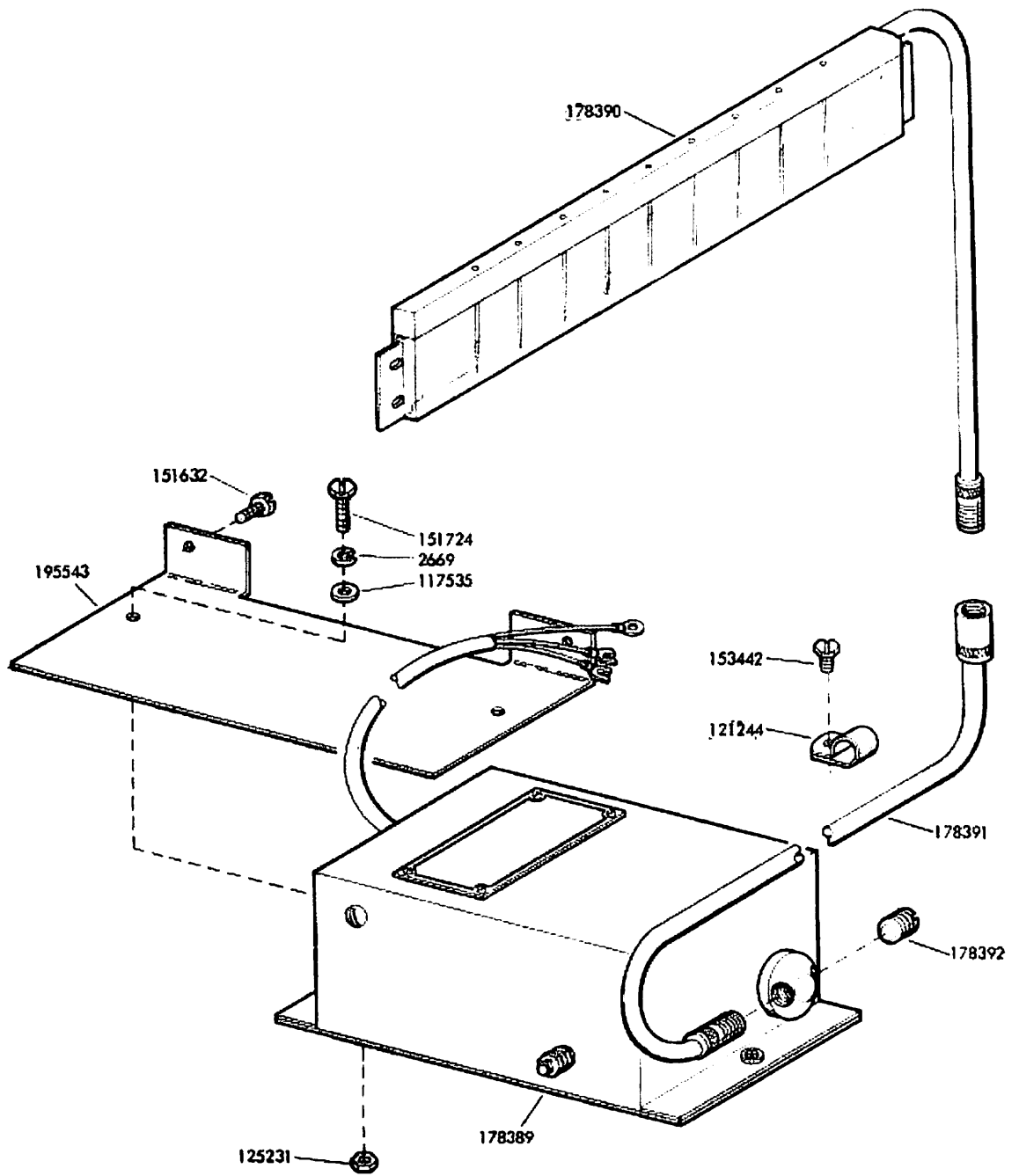


Specification 501015

Ⓢ Part of 193942 Fan Assembly  
\*\*Refer to Page 1 for Finish Suffix.

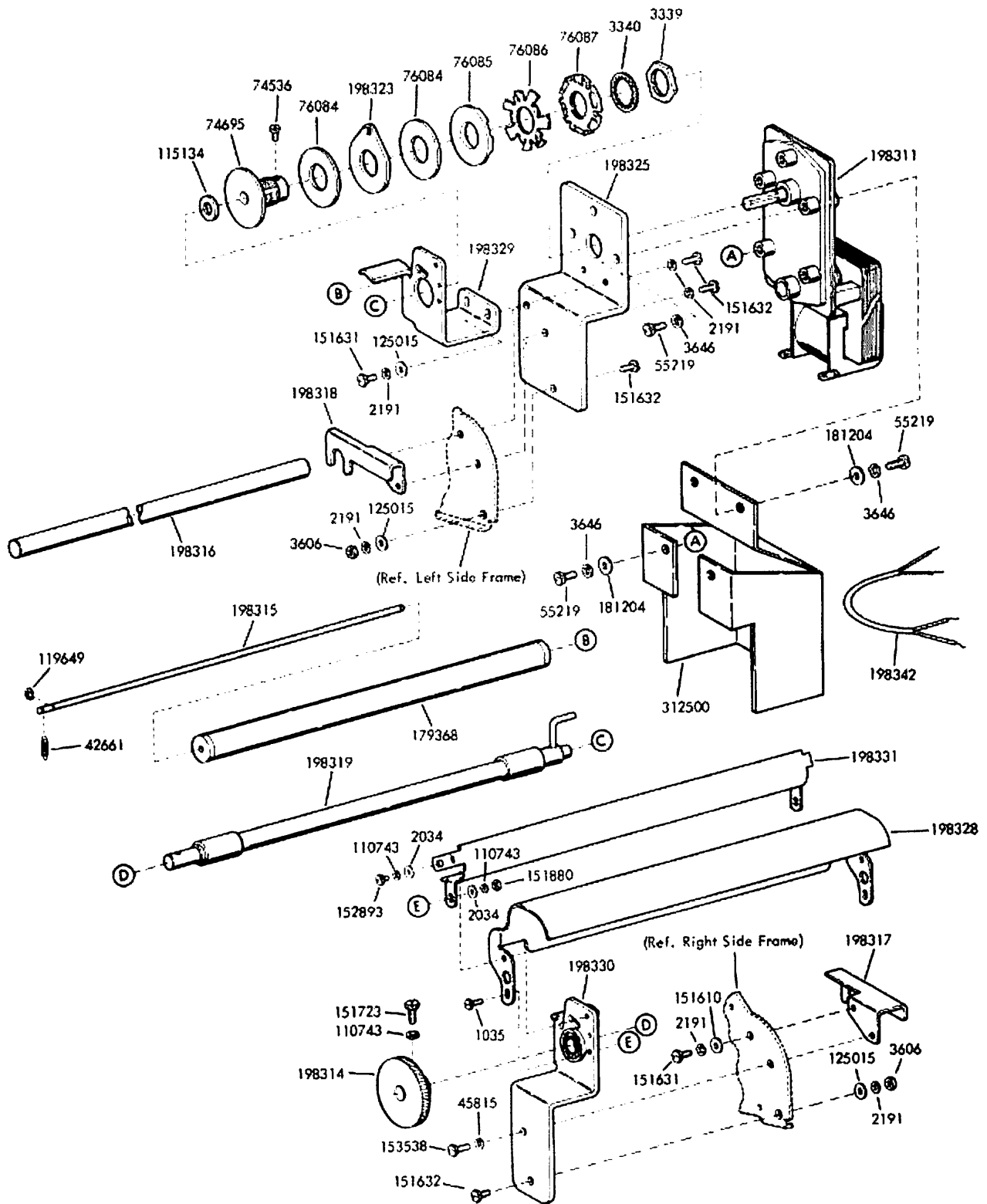
FIGURE 54. 193941\*\* MODIFICATION KIT: TO PROVIDE VENTILATION FOR CABINETS





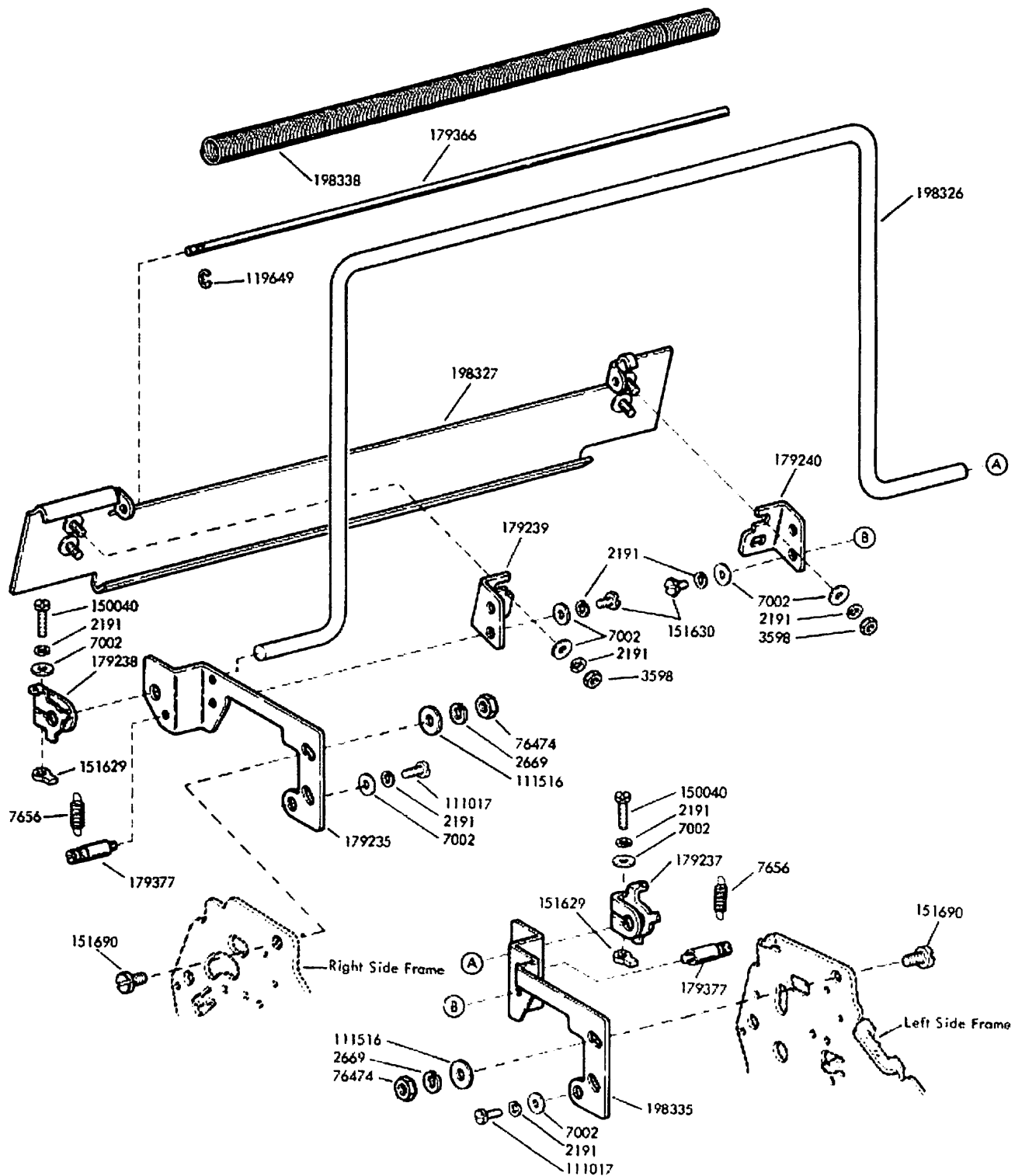
Specification 502075

FIGURE 55. 195540 MODIFICATION KIT: TO PROVIDE STATIC ELIMINATOR TO NEUTRALIZE ELECTROSTATIC CHARGE ON PAGE COPY



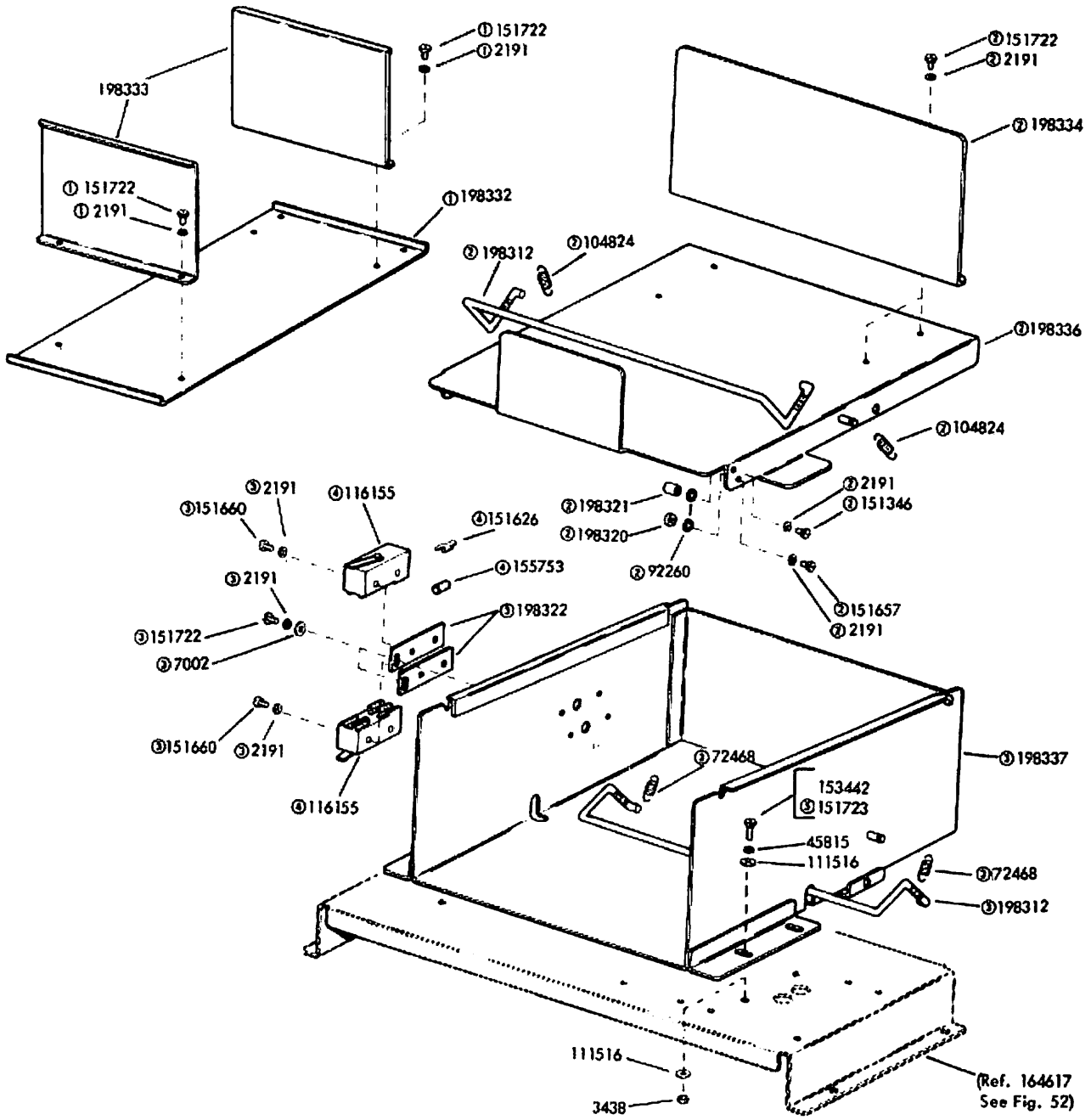
Specification 502445

FIGURE 56. 198310 MODIFICATION KIT TO PROVIDE FACILITIES FOR SPROCKET FEED PAPER



Specification 502445

FIGURE 57. 198310 MODIFICATION KIT TO PROVIDE FACILITIES FOR SPROCKET FEED PAPER (Continued)



- ① Part of 198343 Paper Tray Assembly
- ② Part of 198344 Shelf Assembly
- ③ Part of 198345 Paper Bin Assembly
- ④ Part of 198341 Cable Assembly
- ⑤ Used in Lowest mounting position Specification 502445

FIGURE 58. 198310 MODIFICATION KIT TO PROVIDE FACILITIES FOR SPROCKET FEED PAPER (Continued)

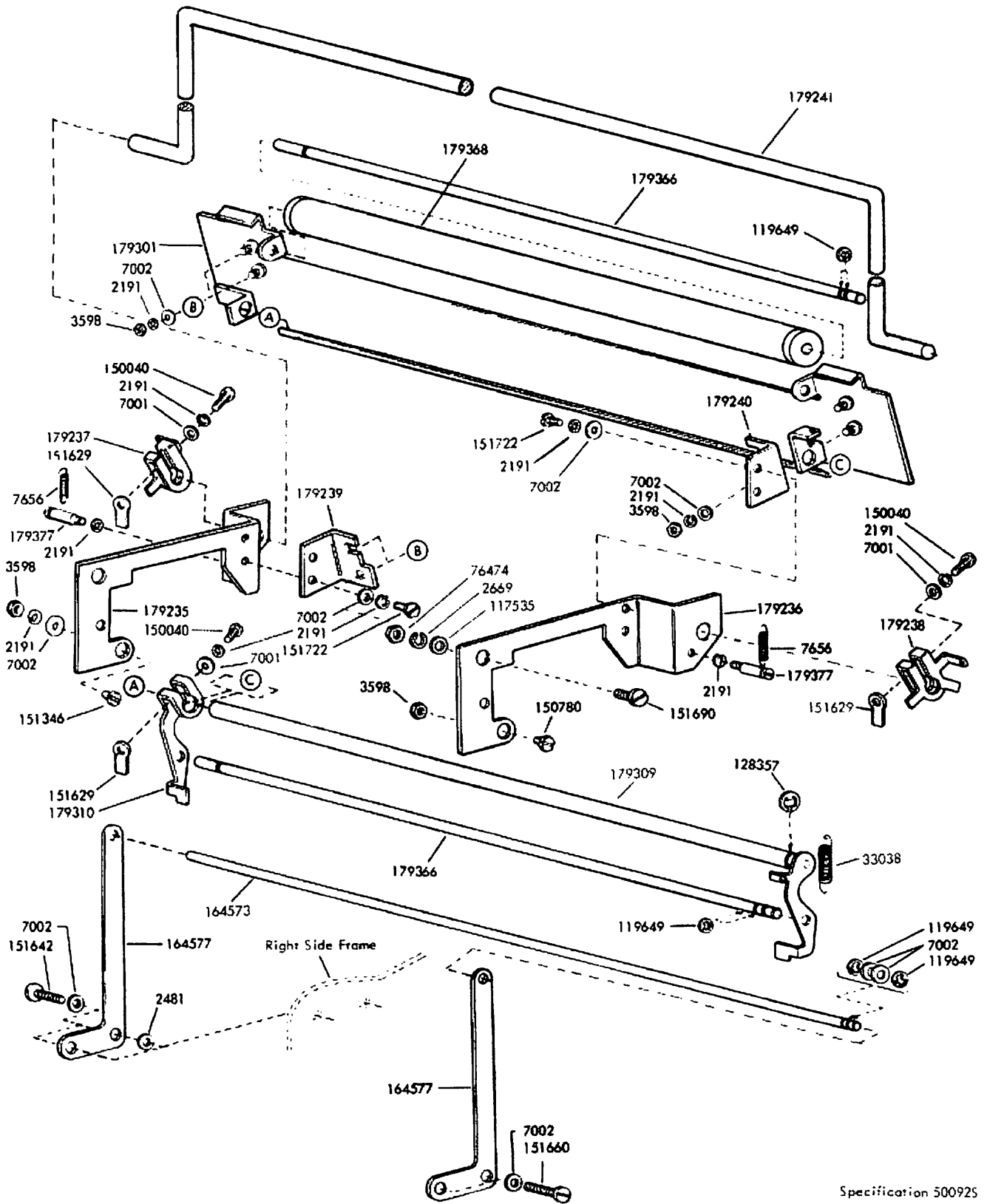
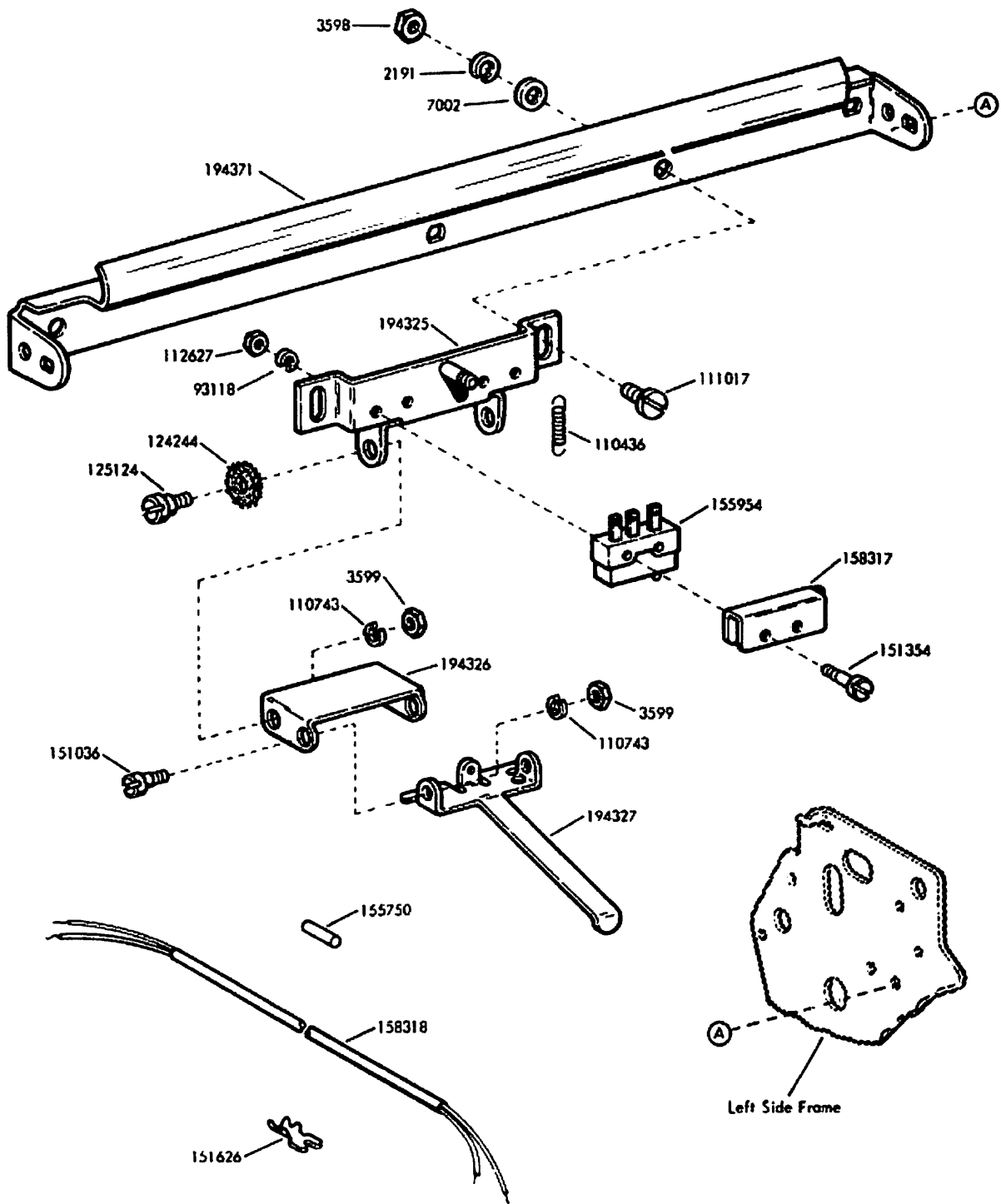


FIGURE 59. 179369 MODIFICATION KIT TO PROVIDE COPY DISPLAY

Specification 500925



Specification 58885

FIGURE 60. 194324 MODIFICATION KIT TO PROVIDE PAPER-OUT ALARM

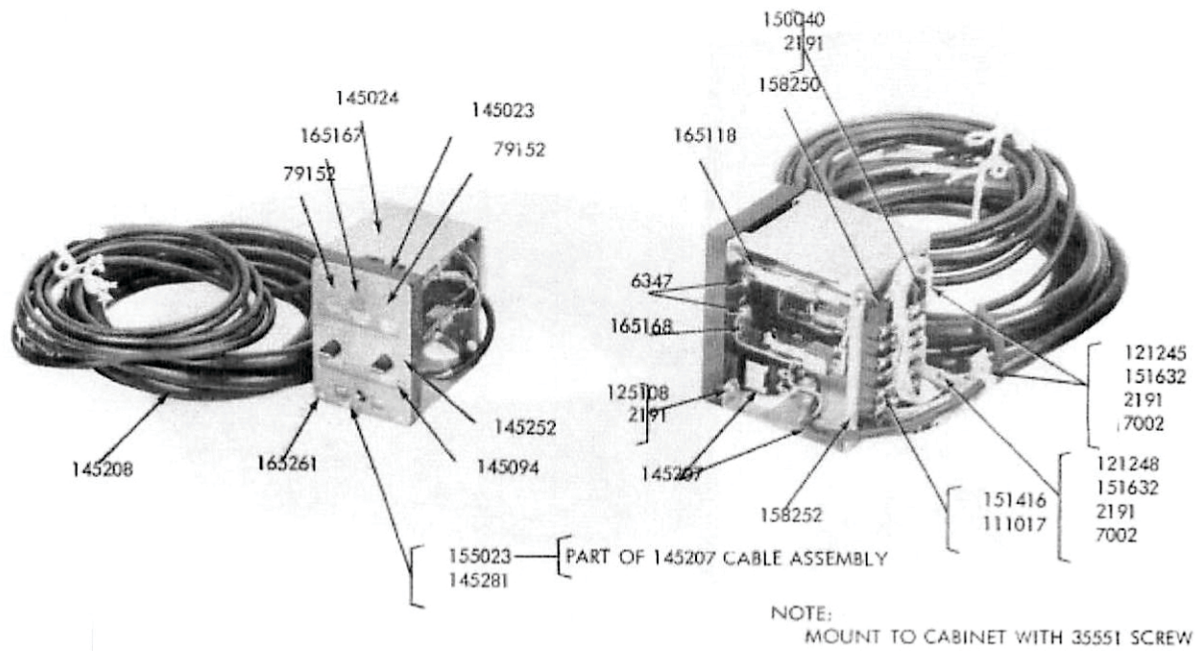


FIGURE 61. 145450 MODIFICATION KIT TO PROVIDE KEY AND LAMP ASSEMBLY

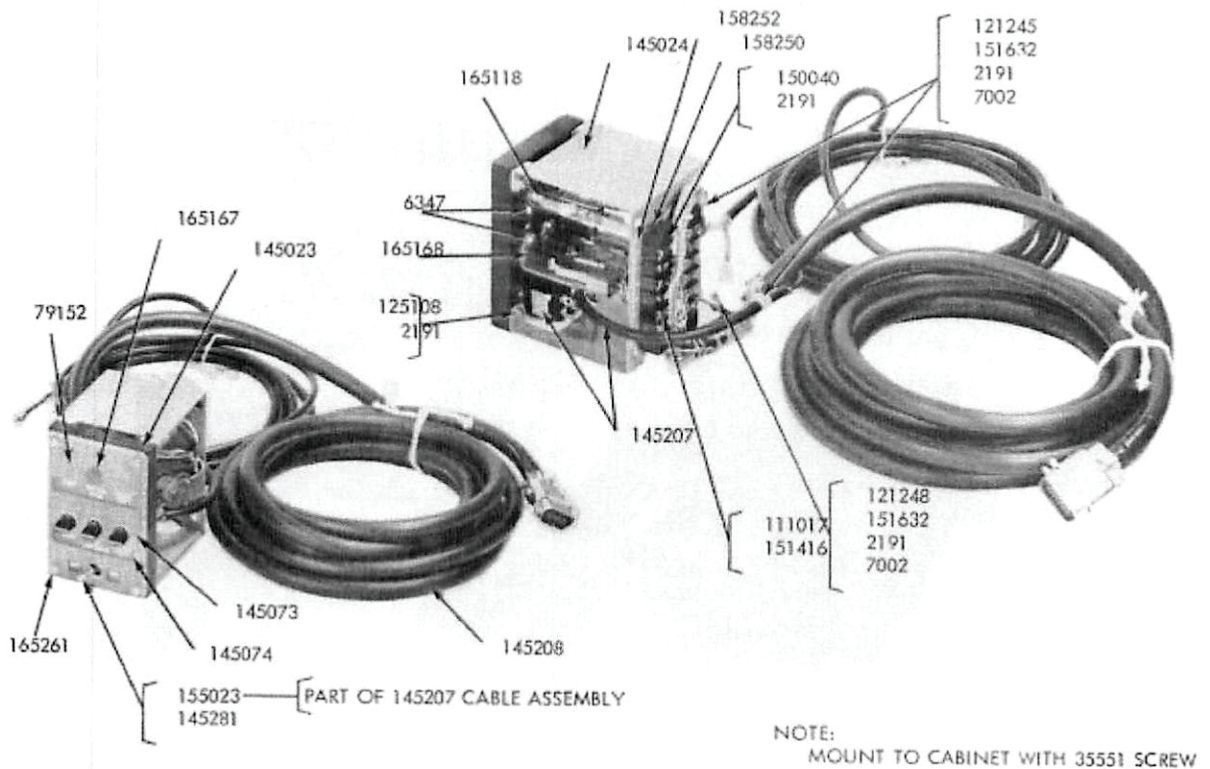


FIGURE 62. 145010 MODIFICATION KIT TO PROVIDE KEY AND LAMP ASSEMBLY

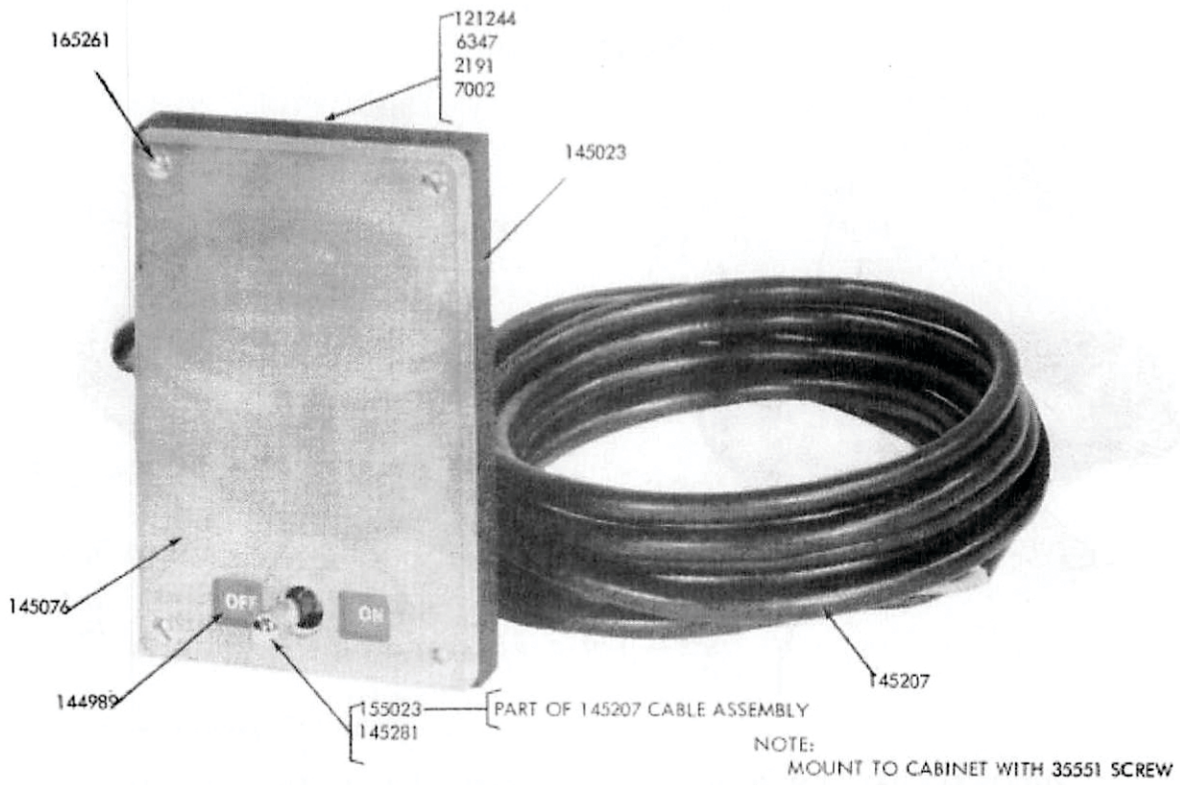


FIGURE 63. 145075 MODIFICATION KIT TO PROVIDE KEY AND LAMP ASSEMBLY

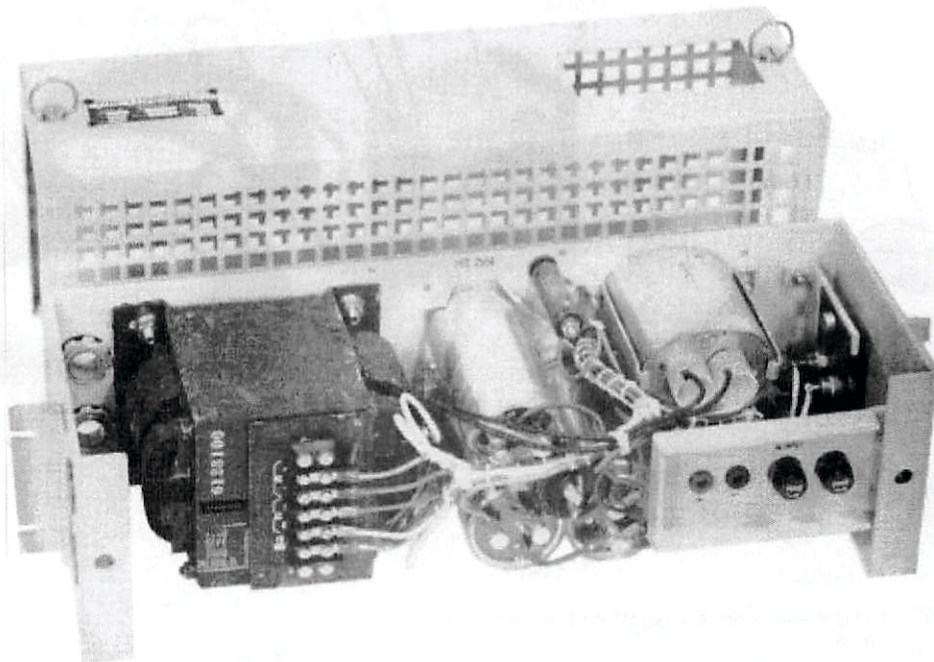


FIGURE 64. 145017 RECTIFIER-48 VOLTS D.C.



## NUMERICAL INDEX

Part Number	Description and Page Number	Part Number	Description and Page Number	Part Number	Description and Page Number
247M	Coil, Magnet 16	41663	Washer, Flat 4	92260	Washer, Lock 40, 41, 52
1035	Screw, 4-40 x 3/8 Hex 50	42661	Spring 50	92271	Screw, 6-32 x 2-3/4 Rd 44
1036	Nut, 6-40 Hex 42	43954	Ball 16	92527	Washer, Lock 38
1111	Screw, 8-32 x 5/16 Fil 47	44048	Washer, Flat 28, 34, 47	92556	Receptacle 25, 33, 36
1118	Screw, 6-40 Shoulder 13	45815	Washer, Lock 10, 13, 14, 46, 47, 50, 52	92854	Connector, 2 Pt Plug 48
1157	Screw, 8-32 x 1/2 Fil 28, 32, 38	49514	Nut, 8-32 Hex 27, 28, 32, 38	93118	Washer, Lock 54
1196	Screw, 6-40 Shoulder 46	49653	Screw, 10-32 x 13/16 Fil 15	93130	Screw, 1/4-20 x 1/2 Hex 3, 4, 18
1248	Screw, 6-40 x 1/2 Flat 10, 27	55090	Spring 46	93191	Screw, 4-40 x 5/16 Flat 6
1253	Screw, 8-32 x 3/8 Rd 5, 6, 22	55219	Screw, 8-32 x 3/8 Fil 16, 50	93598	Screw, 4-40 x 5/16 Rd 44
1263	Screw, 6-32 x 1/4 Fil 34	55309	Screw, 6-32 x 1/2 Oval 22, 23, 25	93634	Wick, Felt 46
1264	Screw, 10-32 x 1/2 Flat 7, 8, 18	55318	Screw, 6-32 x 1/4 Rd 44	93638	Bracket, Bearing 46
2034	Washer, Flat 50	55320	Screw, 8-32 x 7/16 Rd 25, 33, 36	93639	Latch w/Post 46
2191	Washer, Lock 3, 4, 5, 8, 10 to 25, 27 to 44, 46, 47, 48, 50 to 56	58221	Screw, 6-32 x 1/4 Fil 33	93644	Shaft 46
2382	Washer, Lock 46	70071	Washer, Lock 47	93645	Spindle, Loft Paper 46
2449	Washer, Lock 3, 4, 9, 11, 12, 17, 18, 21	71646	Nut, 6-32 Hex 44	93647	Hub, Right Paper Spindle 46
2481	Washer, Flat 53	72468	Spring 52	93648	Spindle, Right Paper 46
2658	Nut, 6-32 Hex 40	73572	Screw, 1/4-20 x 1 Hex 9	93649	Knob 46
2669	Washer, Lock 3, 4, 7, 8, 9, 11, 12, 15, 16, 17, 18, 21, 24, 25, 26, 46, 49, 51, 53	74536	Screw, 6-40 Set 50	93705	Cylinder, Paper Spindle 46
2846	Washer, Flat 3, 4, 11, 12, 17, 18, 21	74554	Post, Spring 46	93984	Washer, Lock 25
3339	Nut, 9/16-32 Hex 46, 50	74695	Sleeve, Clutch 46, 50	93985	Washer, Lock 25, 33, 36
3340	Washer, Lock 46, 50	74805	Screw, 10-32 x 3/4 Hex 15	94072	Bushing 15
3438	Washer, Flat 3, 4, 12, 15, 16, 17, 22, 47, 52	75207	Screw, 8-32 x 1-5/8 Fil 12	94660	Connector 34
3595	Nut, 1/4-32 Hex 21	75435	Resistor, 600 Ohm 47	95005	Resistor, 2,500 Ohm 31, 32, 35
3598	Nut, 6-40 Hex 4, 10, 11, 13, 17, 19, 20, 22, 23, 27, 29 to 34, 37, 38, 39, 42, 46, 47, 48, 51, 53, 54	75750	Washer, Insulating 31, 32, 35, 47	95281	Screw, 10-24 x 3/8 Fil 9, 18
3599	Nut, 4-40 Hex 3, 19, 54	76084	Washer, Felt 46, 50	96258W	Jumper, 3" White 41
3605	Nut, 5/16-18 Hex 3, 5	76085	Disk, Friction 46, 50	96262BK	Jumper, 3" Black 40
3606	Nut, 6-40 Hex 8, 50	76086	Washer, Spring 46, 50	96262S	Jumper, 4" Slate 40
3639	Washer, Lock 47	76087	Nut, 9/16-32 Friction 46, 50	96263BL	Jumper, 4-1/2" Blue 41
3640	Washer, Lock 16, 42, 47	76236	Nut, 5/16-18 Hex 4	97492	Nut, 10-24 Hex 9, 18
3646	Washer, Lock 15, 22, 27, 28, 32, 33, 34, 38, 47, 50	76474	Nut, 10-32 Hex 51, 53	98407	Post, Mounting 10
4703	Spring 16	76544	Spacer 9	98642	Washer, Lock 26
4814	Washer, Lock 3, 4, 5	76862	Screw, 1/4-20 x 1 Rd 5	98712	Screw, 4-40 x 1/4 Flat 46
5599	Nut, 8-32 Hex 22, 25, 33	77902	Screw, 6-40 x 2-3/8 Rd 31, 32, 35, 47	98718	Washer, Flat 25, 33, 36
6097	Spring 17	78453	Nut, 10-32 Hex T1, 12, 46	100658	Connector, 2 Pt Plug 43
6345	Nut, 6-32 Hex 41, 43	79152	Lamp, 48 V 55	100826	Screw, 4-40 x 3/16 Rd 16
6346	Screw, 6-32 x 23/32 Fil 25	80612	Nut, 8-32 Hex 12	101833	Screw, 8-32 x 5/16 Fil 10, 36
6347	Screw, 6-32 x 3/8 Rd 55, 56	82474	Terminal 13, 16, 34, 35, 36, 45	101994	Post, Spring 17
6807	Screw, 6-40 Set 46	82702	Screw, 6-40 x 9/32 Flat 48	102214	Screw, 6-40 x 13/64 Flat 4
6827	Block 27	84579	Washer, Flat 21	103241	Block, Terminal 10, 36
7001	Washer, Flat 12, 46, 47, 53	85318	Washer, Leather 8	104124	Screw, 1/4-32 x 11/32 Hex 12
7002	Washer, Flat 3, 4, 8, 10 to 14, 16 to 44, 46, 47, 51 to 56	85609	Screw, 1/4-20 x 5/8 Fil 18	104824	Spring 52
7656	Spring 51, 53	86835	Spring 11, 12, 13, 28, 29, 30	104827	Bearing, Ball 15
8185	Screw, 1/4-20 x 3/4 Fil 5	86968	Pin, Cotter 9	105104	Screw, 10-24 x 1/2 Fil 4, 18
8330	Washer, Flat 15	87636	Screw, 2-56 x 3/16 Rd 36, 45	106295	Block, Terminal 33
8669	Screw, 6-40 Shoulder 21	89548	Spring, Contact 27	107116	Washer, Lock 23, 36
25123	Screw, 1/4-32 x 7/16 Hex 11, 12, 17	89782	Spring 19, 20	107393	Switch, SP-ST Toggle 3, 10, 21, 22, 45
33038	Spring 46, 53	90707	Washer, Flat 35, 36	107398	Terminal 36
34432	Washer, Flat 27, 32, 33	90787	Screw, 4-40 x 3/8 Hex 42	108103	Washer, Flat 11
35503	Foot, Rubber 12	90789	Washer, Flat 40, 41, 43	110434	Screw, 4-40 x 3/16 Fil 16
35551	Screw, 10-32 x 3/8 Flat 7, 8, 18, 24, 55, 56	90790	Washer, Flat 47	110435	Nut, 4-40 Hex 16
41382	Spring 11, 12	90791	Washer, Lock 36, 45	110436	Spring 54, 55
		90959	Screw, 6-32 x 3/8 Oval 21, 22, 23, 24	110743	Washer, Lock 3 to 6, 28, 44, 50, 54
		91683	Nut, 15/32-32 Hex 3, 21, 22, 23, 24, 25, 28, 30, 32, 33, 36, 45	111017	Screw, 6-40 x 5/16 Fil 11 to 14, 25, 29 to 33, 35, 36, 37, 39, 42, 47, 51, 54, 55
		91684	Nut, 15/32-32 Ring 3, 21, 22, 23, 32, 36, 45	111345	Bolt 19
		92146	Nut, 1/4-20 Hex 3, 4, 5, 9, 18	111346	Spring, Compression 19
				111427	Washer, Flat 21
				111516	Washer, Flat 10, 13, 18, 47, 51, 52
				112626	Nut, 10-32 Hex 7, 8, 15, 17, 18, 26
				112627	Nut, 2-56 Hex 54
				112630	Spring 11, 12
				112801	Stud 36

## NUMERICAL INDEX (Continued)

Part Number	Description and Page Number	Part Number	Description and Page Number	Part Number	Description and Page Number
113099	Screw, 6-40 Thumb 13	128357	Ring, Retaining 53	145454**	Cover, Top 4
114478	Nut, 15/32-32 Hex 23, 25, 30, 32, 45	129514	Spacer, .500" Thk 25	145455**	Cover, Bottom 19
115134	Washer, Felt 50	129919	Fuse, 4 Amp SL-BL 13, 14, 31 to 34, 36	145456**	Cover, Center 19
115358	Fuse, 1 Amp 32	135013	Stud 47	145457**	Cover, Top 19
115594	Nut, Speed 5, 26	136466	Spacer, .250" Thk 33	145458**	Cover 4
116155	Switch 52	138191	Screw, 3-48 x 1 Rd 27	145459**	Frame, Outer 4
116783	Holder, Fuse 13, 14, 31, 32, 33, 34, 36, 40, 41, 44	138225	Block, 6 Row Terminal 10, 28, 31, 32, 36	145460	Bracket 19, 20
117176	Fuse, 0.5 Amp SL-BL 41	139158	Connector, Duplax Receptacle 28, 31 to 34, 36	145464	Keylover Assembly CR 19, 20
117535	Washer, Flat 10 to 14, 46, 49, 53	139335	Connector, 6 Pr Plug 44	145465	Keylover Assembly LF 19, 20
117580	Holder, Fuse 30, 34	142108	Diode 30	145466	Spring, Compression 19, 20
118510	Fuse, 1/4 Amp 33, 36, 48	142230	Suppressor, Electrical Noise 34	145467**	Door 19
118578	Clamp, 3/4 ID Cable 44	142709	Fuse, 2 Amp 41	145468	Clamp, Right 19
118609	Holder, Fuse 44	144965	Rack Assembly 2, 26, 27	145469	Plate, Base 11
118659	Switch, Toggle 45	144966	Bracket, Left 26, 27, 31	145470	Link w/Nut 11, 12
118759	Block, Terminal 31, 33	144967	Bracket, Right 26, 31	145471	Link w/Past 11, 12
118865	Cover 5	144969	Brace, Lower 26	145476	Bracket, Copyright 11
119347	Screw, 6-32 x 3/8 Rd 3	144971	Brace, Upper 26	145481	Plate 26
119401	Washer, Flat 25	144972	Bracket 27, 38	145487	Screw, 6-40 Shoulder 11, 12
119535	Bushing 46	144973	Bracket, Terminal Strip 27	145489	Cable w/Terminals 11
119638**	Button, Plug 22	144974	Bracket 27	145490	Bolt, Latch 19, 20
119649	Ring, Retaining 50, 51, 53	144979	Relay, 700 Ohm 30, 31, 34	145491	Extension 19, 20
119650	Ring, Retaining 19, 20	144989	Plate, Designation 56	145492	Screw, 6-40 Thumb 19, 20
119651	Ring, Retaining 11, 12	145003	Relay 30, 31, 34	145493	Plate, Striker 4
119652	Ring, Retaining 46	145010	Modification Kit 2, 55	145714	Felt, Pad 4
119653	Ring, Retaining 46	145017	Rectifier 2, 56	145713	Pad, Felt 4
119703	Screw, 10-24 x 5/8 Hex 3	145023	Panel, Rubber 55, 56	145769	Plate 4
120175	Plate, ON-OFF 30, 32, 33	145024	Shield Assembly 25, 55	145770	Bracket 4
121018	Nut, 4-40 Hex 42, 44	145029	Buzzer 23	145771	Plate 4
121242	Clamp, 1/8 ID Cable 13, 45	145073	Panel, Plastic 55	145772	Bracket 4
121243	Clamp, 3/16 ID Cable 11, 45	145074	Plate, Designation 55	145773	Plate 4
121244	Clamp, 1/4 ID Cable 12, 28, 45, 47, 49, 56	145075	Modification Kit 2, 56	145774	Bracket 4
121245	Clamp, 5/16 ID Cable 25, 28, 43, 45, 47, 55	145076	Panel, Plastic 56	145775	Bracket 4
121246	Clamp, 3/8 ID Cable 13, 45, 47	145094	Plate, Designation 55	145880	Screw, 4-40 x 1/4 Oval 25
121247	Clamp, 7/16 ID Cable 10, 45	145205	Jumper, 4-1/4" Green 25	145882	Terminal 25, 45
121248	Clamp, 1/2 ID Cable 45, 55	145207	Cable Assembly 55, 56	145892	Shield, Light 11
121249	Clamp, 5/8 ID Cable 10, 12, 25, 45	145208	Cable Assembly 55	146138	Plate 25
121250	Clamp, 3/4 ID Cable 45	145231**	Panel 25	146149	Plate, Base 11, 12
121251	Clamp, 1 ID Cable 45	145233**	Panel Assembly, Control 2, 25	146163	Bracket, Right Top 17
121413	Spacer, .344" Thk 44	145236**	Door 25	146164	Bracket, Left Top 17
121534	Terminal 25, 45	145237**	Panel, Plastic 25	146165	Bracket, Right Top 17
121536	Terminal 43, 45	145238	Plate, Designation 25	146166	Bracket, Left Top 17
121605	Bushing 19, 20	145239**	Bar, Guide 24, 25	146167	Bracket, Right Center 17
122184	Grommet 11	145241	Panel, Fuse 25	146168	Bracket, Left Center 17
122987	Spacer 47	145251	Washer, Cup 21 to 25	146169	Bracket, Right Center 12, 17
124177	Washer, Lock 46	145252	Panel, Plastic 55	146170	Bracket, Left Center 17
124218	Pin, Drive 45	145256	Connector, 3 Pr Plug 25, 45	146171	Plate, Top 17
124244	Washer, Felt 54	145264	Cable Assembly 25	146173	Plate, Center 17
124611	Screw, 8-32 x 3/8 Hex 34	145265	Cable 25	146179	Plate, Bottom 17
124955	Bumper, Rubber 9	145266	Fuse, 15 Amp SL-BL 25, 33, 36	146181	Bracket, Right Bottom 17
125002	Screw, 8-32 x 3/8 Flat 25, 26, 47	145267	Indicator 27	146182	Bracket, Left Bottom 17
125011	Washer, Flat 4	145273	Rack Assembly, Mounting 2, 27, 30	146183	Bracket, Right Rear 17
125015	Washer, Flat 19, 20, 47, 50	145274	Rack Assembly, Mounting 2, 27	146184	Bracket, Left Rear 17
125108	Screw, 6-32 x 3/8 Fil 3, 4, 25, 28, 55	145281	Ring 24, 55, 56	146185	Slide, Left Center 17
125124	Screw, 4-40 Shoulder 54	145317	Screw, 6-40 Spl 11	146186	Slide, Right Center 17
125129	Screw, 3-48 x 3/8 Fil 35, 36	145318	Screw, 6-40 Spl 11, 12	146187	Slide, Left Top 17
125185	Screw, 10-32 x 1/4 Rd 9	145430	Plate, Oil Drip 11, 12	146188	Slide, Right Top 17
125186	Screw, 8-32 x 3/4 Fil 27, 32	145435**	Base, Outer Frame 4	146189	Latch 17
125218	Nut, 1/4-32 Hex 17	145445	Pad, Felt 4	146190	Bracket, Channel 17
125231	Nut, 10-32 Hex 10, 13, 14, 18, 46, 47, 49	145446**	Panel, Front 4	146291	Cable w/Terminals 12
125315	Washer, Insulating 44	145448**	Plate, Duct 4	146313	Wheel, Drive 46
125802	Washer, Flat 5, 6	145450	Modification Kit 2, 55	146314	Belt, O Ring 46
		145451	Bracket 4	146320	Modification Kit 46
		145452**	Panel, Right Side 4	146332	Bushing, Spacer 17
		145453**	Panel, Left Side 4	146363	Cable Assembly 11
				146436	Cable w/Terminals 16
				146437	Bell Assembly 2, 16
				146967	Resistor, 750 Ohm 44

\*\*Refer to Page 1 for Finish Suffix

## NUMERICAL INDEX (Continued)

Part Number	Description and Page Number	Part Number	Description and Page Number	Part Number	Description and Page Number
148257	Terminal, Insulated 44	151637	Screw, 4-40 x 1/4 Fil 28, 42	153462	Plate 39
148396	Disk 46	151642	Screw, 6-40 x 3/4 Fil 53	153466	Cover 29, 30, 34, 36
148397	Bracket 46	151657	Screw, 6-40 x 1/4 Fil 44, 46, 48, 52	153468	Insulator, Left 29, 30, 34, 36
150040	Screw, 6-40 x 5/8 Fil 28, 37, 39 to 42, 51, 53, 55	151658	Screw, 6-40 x 5/16 Fil 11, 12, 13, 28	153470	Insulator, Right 29, 30, 34
150323	Washer, Flat 26, 27, 29 to 36, 38	151659	Screw, 6-40 x 1/2 Fil 25	153477	Cable w/Terminals 40
150383	Spacer, .149" Thk 46	151660	Screw, 6-40 x 7/8 Fil 46, 52, 53	153484	Screw, 6-32 Spl 28, 29, 30, 33, 34, 36, 38
150780	Screw, 6-40 Spl 53	151686	Screw, 4-40 x 3/8 Fil 5, 6, 29, 30, 47	153487	Cable Assembly 13
150966	Insulator, Terminal 11 to 14, 29 to 33	151687	Screw, 4-40 x 7/16 Fil 3	153537	Screw, 6-40 x 9/32 Hex 11, 13, 46
151036	Screw, 4-40 Shoulder 54	151690	Screw, 10-32 x 5/16 Fil 47, 51, 53	153538	Screw, 6-40 x 7/16 Hex 19, 20, 33, 46, 50
151113	Strip, Mounting 11, 12, 13	151691	Screw, 10-32 x 3/8 Fil 24, 25	153819	Washer, Lock 35, 36
151118	Plate, Spacing 11, 12, 13	151692	Screw, 6-40 x 3/16 Fil 19, 29, 30, 34	153841	Screw, 6-40 x 9/16 Hex 43
151126	Spacer, .250" Thk 15	151693	Screw, 6-40 x 9/16 Fil 31, 32, 36	154021	Link 11
151146	Strap, Mounting 11, 12, 13	151712	Button, Pivot 15	154051	Screw, 6-40 Shoulder 11
151159	Bracket 11, 12	151721	Screw, 6-40 x 3/4 Hex 12, 21	154085	Plate 15
151228	Bracket w/Bearing 15	151722	Screw, 6-40 x 3/16 Hex 11, 12, 19, 28 to 33, 35, 36, 38, 47, 52, 53	154127	Nut, 6-40 Hex 12, 47
151335	Stud 11 to 14, 29 to 36, 38, 47	151723	Screw, 10-32 x 3/8 Hex 10, 12, 13, 18, 26, 46, 47, 50, 52	154176	Bracket 11
151346	Screw, 6-40 x 3/8 Fil 16, 37, 39, 52, 53	151724	Screw, 10-32 x 5/8 Hex 10, 12, 15, 17, 46, 49	154224	Gear Assembly, Intermediate 2, 15
151354	Screw, 2-56 x 15/32 Fil 54	151725	Screw, 10-32 x 3/4 Fil 10, 15	154251	Latch 25
151411	Block, Terminal 30, 32, 35, 36, 37, 39, 42	151733	Screw, 4-40 x 9/16 Fil 4	154335	Screw, 6-40 x 9/32 Fil 17
151412	Insulator, Terminal 30, 32, 35, 36, 37, 39, 42	151819	Jumper, 3" Black 28, 34	154409**	Plate 3, 4
151415	Block, Terminal 11 to 14, 29 to 33	151827	Strap, Terminal 25, 28, 30, 32, 34, 39	154437	Insulator, Terminal 28, 38
151416	Nut, 6-40 Hex 11 to 14, 25, 29 to 33, 35, 36, 37, 39, 42, 47, 55	151880	Nut, 4-40 Hex 25, 50	154446	Cover 28, 38
151427	Plate, Clamp 40 to 43	151982	Lamp, 6 V Incandescent 11, 13, 22, 23, 24, 45	154662	Lubricator 15
151435	Insulator, Terminal 31	152124	Spacer 27	154663	Shaft 15
151436	Cover 31	152420	Lamination, Magnet 43	155023	Switch, DP-DT Toggle 23, 24, 25, 28, 30 to 33, 36, 45, 55, 56
151437	Stud 37, 38, 39	152426	Nut, 6-40 Hex Self-Locking 43	155083	Lens, Red Indicator Light 22, 23
151442	Screw, 6-40 x 1/2 Hex 29, 30, 34, 46	152460	Bracket 13	155750	Sleeve, 3/32 ID x 1/2" Lg Insulating 28, 35, 36, 42, 45, 54
151511	Gasket 19	152461	Bracket 12, 47	155751	Sleeve, 1/8 ID x 1" Lg Insulating 45, 48
151540	Lampholder 11, 22, 23, 24, 28, 45	152462	Latch, Right 11, 12, 13, 28, 29, 30	155752	Sleeve, 5/64 ID x 1/2" Lg Insulating 45
151545	Guide, Paper 19	152463	Latch, Left 11, 12, 13, 28, 29, 30	155753	Sleeve, 1/8 ID x 1/2" Lg Insulating 28, 35, 36, 45, 52
151549	Post 18	152464	Insulator, .062" Thk 11, 12, 13, 29, 30	155754	Sleeve, 1/16 ID x 1/2" Lg Insulating 45
151558	Nut, Speed 22, 23	152465	Connector, 20 Pt Receptacle 28, 29, 45	155755	Sleeve, 11/64 ID x 5/8" Lg Insulating 45, 47
151560	Bell Assembly, Remote 2, 16, 36	152466	Connector, 20 Pt Receptacle 10, 28, 29, 45	155859	Screw, 4-40 Spl 28, 45
151564	Bracket 16	152467	Connector, 20 Pt Plug 11, 12, 28, 29, 30, 45	155860	Screw, 4-40 x 3/8 Rd 28, 45
151565	Bushing, Shoulder 16	152755	Strap, Terminal 25, 30	155861	Washer, Lock 28, 45
151567	Armature w/Clapper 16	152761	Stud 37	155954	Switch, Sensitive 54
151571	Cable w/Terminals 16	152893	Screw, 4-40 x 1/4 Hex 50	156337	Washer, Flat 12
151572	Washer, Lock 9	153017	Nut, Speed 26, 27, 29 to 36, 38	156591	Washer, Flat 46
151574	Grammat, Rubber 16	153103	Screw, 4-40 Self-Tapping 4	156740	Screw, 6-40 x 7/32 Hex 10, 15, 19, 20, 21, 32, 33
151577	Screw, 6-40 Shoulder 16	153252	Link 11, 12	156887	Screw, 10-32 x 9/16 Hex 47
151579	Plate, Retaining 16	153388	Stud 28, 29, 30	156976	Connector, 32 Pt Plug 28
151606	Screw, 10-32 x 1/4 Hex 12	153400	Lamp, 60 V Incandescent 21	157230	Jumper, 6" Black 28
151610	Washer, Flat 50	153441	Screw, 10-32 x 7/16 Hex 14	157281	Transformer Assembly 33
151612	Spacer 42	153442	Screw, 10-32 x 1/2 Hex 10, 11, 13, 14, 17, 18, 26, 46, 47, 49, 52	157314	Socket, 7 Pt Tube 42
151618	Screw, 6-40 x 7/16 Fil 37, 38, 39, 42	153456	Bracket 37	158250	Block, Terminal 11, 12, 25, 47, 55
151626	Terminal 10 to 14, 16, 28, 34, 40, 41, 44, 45, 51, 53, 54	153459	Block, Terminal 28 to 30, 34, 36, 38	158252	Insulator, Terminal 11, 12, 25, 47, 55
151629	Nut, 6-40 Lug 43, 51, 53			158258	Connector, 20 Pt Plug 13
151630	Screw, 6-40 x 1/4 Hex 4, 5, 11 to 15, 18, 23, 24, 27, 34, 36, 43, 46, 47, 51			158259	Connector, 20 Pt Receptacle 10, 45
151631	Screw, 6-40 x 5/16 Hex 10 to 13, 15, 17, 22, 23, 28, 46, 50			158278	Container 37, 39
151632	Screw, 6-40 x 3/8 Hex 4, 8, 11 to 15, 21, 23, 25, 30, 31 to 34, 36, 44, 46, 49, 50, 55			158283	Connector, 32 Pt Receptacle 28, 45
				158286	Transformer 11, 13, 14, 28 to 32, 34, 36

\*\* Refer to Page 1 for Finish Suffix

## NUMERICAL INDEX (Continued)

Part Number	Description and Page Number	Part Number	Description and Page Number	Part Number	Description and Page Number
158287	Transformer Assembly 33	164609	Plate, Identification 3	172659	Slide, Left Bottom Outer 18
158317	Insulator, Switch 54	164610	Braco 10	172682	Slide, Right Middle 18
158318	Cable 54	164613	Bracket, Right Mounting 18	172683	Slide, Left Middle 18
158649	Screw, 4-40 Thumb 19, 25	164614	Bracket, Left Mounting 18	172684	Slide, Right Inner 13, 14, 18
158745	Clamp, Bearing 15	164615	Plate, Base 13	172685	Slide, Left Inner 18
158991	Capacitor, 15 MFD 27, 32, 33	164616	Braco 10	172693**	Panel, Right Side 3
158992	Bracket, Mounting 27, 32, 33	164617	Base, Paper Winder 14, 46, 47, 52	172694**	Panel, Left Side 3
159238	Connector, 2 Pt Receptacle 23, 45	164618	Handle 13	172695	Base 3
159931	Clamp 28	164619	Plate, Mounting 10	172696**	Brace, Front Bottom 3
159932	Keeper 28	164620	Guard, Terminal Board 10	172697**	Braco, Front Top 3
160229	Plate, Mounting 40, 41	164622	Bracket 13	172698**	Braco, Rear Bottom 3, 4
160341**	Hinge, Left 19	164623	Bracket, Right Mounting 13	172699**	Cover, Keyboard 18
160344**	Clamp, Left 19	164624	Cable Assembly 3, 10	172700**	Door Assembly 2, 9
160349**	Hinge, Right 19	164626	Holder, Left Lamp 13	172701**	Top 3
160370	Switch, NC Pushbutton 23, 45	164627	Holder, Right Lamp 13	172702**	Panel, Rear 3, 4
160399	Spring, Contact 19	164629	Bracket 13, 14	172703**	Panel, Top Rear 3, 4
161087	Insulator, Terminal 10, 36	164718	Plate, Adapter 46	172704	Frame 3
161238	Connector, 36 Pt Receptacle 35, 36	164719	Bracket, Mounting 13, 14, 46	172711	Plate, Cover 3
161239	Connector, 36 Pt Plug 36, 45	164722	Hub, Wheel 46	172712	Arm, Right Pivot 9
161683	Channel w/Rail 8	164723	Wheel, Driven 46	172713	Arm, Left Pivot 9
161684	Channel, Right 8	164724	Pulley 46	172714	Bracket, Spring 9
161703**	Cover, Top 5	164725	Pulley, Idler 46	172715	Screw, 10-24 Captive 3, 4
161705	Strike, Fastener 4, 6	164726	Post, Idler 46	172717	Bushing 9
161706**	Door, Right Rear 6	164727	Lever, Idler 46	172718	Screw, 1/4-20 Shoulder 9
161707**	Door, Left Rear 6	164728	Post, Idler Lever 46	172719	Screw, 1/4-20 Shoulder 9
161708	Latch, Magnetic 4, 5, 6	164729	Bracket w/Bearing 46	172758	Pad, Outer Frame 3, 4
161710	Channel, Left 7	164730	Bracket 13, 46	172762	Bumper, Rubber 9
161711	Block, Guide 7, 8, 18	164731	Shaft 46	172763	Nut, Grip 3, 4
161715	Channel, Right 7	164732	Extension 46	172791**	Panel, Front 3
161716	Block, Support 7, 8, 18	164733	Shield, Left Lamp 18	172961	Screw, 6-40 Stop 13
161731	Plate, Cover 5	164734	Belt, "O" Ring 46	173013**	Frame, Top 9
161747	Plate, Nut 4, 5, 6	164735	Coupling, Flexible 46	173014**	Frame, Left 9
161748	Screw, 5/16-18 x 5/8 Flat 3, 4, 5	164899	Pad, Side Top 3	173015**	Frame, Right 9
161752	Channel, Duct 5	164900	Pad, Side Bottom 3	173016**	Frame, Bottom 9
161986	Cover, Duct 5	164901	Pad, Rear Panel 3, 4	173017	Frame, Door 9
161987	Plate, Duct 5	164902	Pad, Side Center 3	173018	Gasket 9
161994	Bracket, Terminal Block 10	164903	Pad, Rear Top 3, 4	173019	Panel, Glass 9
161995	Bracket, Terminal Block 10	164925	Modification Kit 2, 46	173796	Transformer 39
161998	Plate, Typo Name 4, 5	164927	Cable w/Terminals 13	173801	Tube, Vacuum 42
162333	Stud, Locating 11, 12, 13	164928	Cable Assembly 13	173942	Stud 39
162357	Capacitor, 500 MFD 40	164955	Guide, Right 10	173943	Plate, Left 38, 39
162358	Diode 40, 41	164956	Guide, Left 10	173944	Plate, Mounting 38, 39
162359	Transformer, Power 40	164999	Cable w/Terminals 14	173974	Screw, 10-32 x 5/16 Hex 11, 12
162360	Fuse, .8 Amp SL-BL 40	165103	Screw, 12-24 x 5/8 Rd 26, 27, 29 to 36, 38	174182	Relay, 550 Ohm 35
162361	Rectifier Assembly 2, 39, 40	165118	Socket, Lamp 55	174456	Plate, Nut 5
162627	Nut, #6 Speed 4, 5	165167	Lamp, Neon 55	176130	Arm, Right Pivot 9
162687	Screw, 6 x 1/2 Spl 4, 5	165168	Key 55	176131	Arm, Left Pivot 9
162692	Pin, Hinge 10	165261	Screw, 4-40 x 3/8 Oval 24, 55, 56	176132	Arm, Right Pivot 9
162730	Screw, 1/4-20 x 7/16 Hex 5	165469	Strip, Terminal 28	176133	Arm, Left Pivot 9
162958	Switch, Mercury 45	170573	Rectifier Assembly 2, 30, 34, 44	176134	Bracket, Mounting 3
163163	Pad 5	171258	Guide, Actuator Bar 41	176580	Lamp, 6V Incandescent 23
163440	Gear, 48T 15	171461	Capacitor, 900 MFD 44	177010	Driver Assembly, Selector
163460	Gear, 55T 15	171463	Resistor, 1 Ohm 44		Magnet 2, 31, 34, 43
163973	Plate, Nut 7	171541	Diode 43	178261	Handle, Door 4
164081	Spacer, .375" Thk 5	171609	Diode 44	178389	Power Unit 49
164087	Pan 8	171610	Transformer 44	178390	Bar, Static Eliminator 49
164088	Pan Assembly 2, 8	171644	Fuse, 1.5 Amp 44	178391	Cable, Inductor 49
164234	Gear Assembly, Intermediate 2, 15	171651	Connector, 6 Pt Receptacle 44	178392	Plug, Outlet 49
164573	Rod 53	171952	Connector, Green Shielding 45	178840	Capacitor, 400 MFD 43
164577	Bracket 53	171972	Connector, Green Insulated 45	178841	Transformer 43
164604	Shield, Right Lamp 18	171973	Connector, Black Insulated 45	178843	Plate, Mounting 43
164606	Bracket, Mounting 10	172650	Slide, Left Top Outer 18	178859	Card, Circuit 43
164607	Bracket, Mounting 10	172651	Slide, Right Top Outer 18	178868	Resistor, 700 Ohm 43
		172654	Slide, Left Center Outer 18	178868	Cable w/Terminals 43
		172655	Slide, Right Center Outer 18	178888	Clip 43
		172658	Slide, Right Bottom Outer 18	179130	Screw, 10-32 Shoulder 17
				179131	Screw, 10-24 x 5/8 Hex 4, 16

\*\*Refer to Page 1 for Finish Suffix

## NUMERICAL INDEX (Continued)

Part Number	Description and Page Number	Part Number	Description and Page Number	Part Number	Description and Page Number
179132	Collar, Spacing 9, 18	193551	Bracket 16	198092	Fan 48
179164	Bracket 12	193568	Panel Assembly 2, 32	198302**	Panel, Rear 4
179235	Bracket, Right Mounting 51, 53	193569	Mounting Assembly, Selector	198303	Pad, Felt 4
179236	Bracket, Left Mounting 53		Magnet Driver 2, 32, 37	198304	Pad, Felt 4
179237	Clamp, Left 51, 53	193570	Relay 32	198306	Panel Assembly, Electrical Service 2, 34
179238	Clamp, Right 51, 53	193575	Plate, Mounting 32	198309	Plate, Mounting 34
179239	Bracket, Right Mounting 51, 53	193576**	Panel, Fixed Cover 22	198310	Modification Kit 2, 50, 51, 52
179240	Bracket, Left Mounting 51, 53	193577	Clamp 19, 20, 21	198311	Motor w/Reducer 50
179241	Rack, Copy Display 53	193657	Switch, Pushbutton 22	198312	Arm, Paper Sensing 52
179290**	Cover, Bottom 20	193658	Plate, Identification 22	198314	Wheel, Thumb 50
179291**	Cover, Middle & Top 20	193855**	Cover w/Clips 5	198315	Shaft, Roller 50
179293**	Panel, Keyboard 21	193941**	Modification Kit 2, 48	198316	Weight, Paper 50
179294	Bracket 21	193942	Fan Assembly 48	198317	Bracket, Right 50
179295	Window, Plastic 19, 20	193943	Cable Assembly 48	198318	Bracket, Left 50
179296	Clamp, Window 19, 20	193944**	Extension, Fan Mounting 48	198319	Shaft 50
179297	Bracket, Right 17, 21	193952	Bail, Slack 47	198320	Stop, Cover 52
179298	Bracket, Left 17	193960	Pilot 47	198321	Glide, Cover 52
179299**	Door w/Hinge 4	193964	Flange, Right 47	198322	Bracket, Switch 52
179300**	Frame, Outer 4	193965	Flange, Left 47	198323	Plate, Clutch 50
179301	Plate, Paper Guide 53	193994	Holder Assembly, Fuse 48	198325	Bracket, Motor Mounting 50
179303	Post 21	194324	Modification Kit 2, 54	198326	Rack, Copy Display 51
179304	Plate, Nut 21	194325	Bracket w/Post 54	198327	Plate, Paper Guide 51
179305**	Panel, Cover 21	194326	Bracket, Switch 54	198328	Guide, Upper 50
179306	Plate, Identification 21, 23	194327	Lever 54	198329	Bracket 50
179307	Panel, Mounting 31	194366	Plate, Lamp Holder 22, 23	198330	Bracket w/Bearing 50
179309	Finger, Left Paper 53	194367	Plate, Relay Mounting 37	198331	Guide, Lower 50
179310	Finger, Right Paper 53	194369	Driver Assembly, Selector	198332	Tray, Paper 52
179366	Shaft 51, 53		Magnet 2, 37, 43	198333	Stop, Paper Tray 52
179367	Plate, Identification 21	194370	Cable w/Terminals 43	198334	Bracket 52
179368	Roller, Paper Guide 50, 53	194371	Guide 54	198335	Bracket, Left Mounting 51
179369	Modification Kit 2, 53	194412	Plate, Identification 22	198336	Shelf 52
179370	Lamp, Red Indicating 21	194494**	Panel, Control 23	198337	Bin, Paper 52
179371	Lamp, Green Indicating 21	194495	Plate, Identification 23	198338	Spring 51
179372	Shield, Light 22, 23	194496	Plate, Mounting 29	198339	Bracket, Terminal 12
179373	Panel Assembly 2, 31	194497	Plate, Mounting 30	198341	Cable Assembly 52
179377	Post 51, 53	194498**	Panel, Front 4	198342	Cable 50
179378	Retainer, Kaylever 19, 20	194499	Cable Assembly 23	198343	Tray Assembly, Paper 52
179495	Screw, 10-24 x 1/2 Max 4	194799	Cable Assembly 23	198344	Shelf Assembly 52
179562	Card, Circuit 43	194800	Cable Assembly 29	198345	Bin Assembly, Paper 52
179564	Relay, 350 Ohm 35, 37	195177	Washer, Insulating 43	198347	Diode Assembly 34
179815**	Cover 4	195216**	Brace, Top Front 4	198349	Guard, Terminal 34
181204	Washer, Flat 50	195394	Plate Assembly, Right Mounting 2, 29	198649	Connector, 15 Pt Circuit Card 42
181661	Buzzer, 115V AC 36		Plate Assembly, Left Mounting 2, 30	199395	Shield, Contact Box 12
181892	Sleeve, 9/64 ID x 1" Lg Insulating 45	195395	Plate Assembly, Left Mounting 2, 30	305056	Plate, Identification 4, 5, 18
182658	Socket, Lamp 45	195396	Cable Assembly 29	305678	Post 47
182714	Cap, White Lens 23	195431	Washer, Spring 46	305679	Bearing 47
182715	Cap, Red Lens 23	195438	Sleeve 46	306980	Bracket, Upper 11
192669	Driver Assembly, Selector Magnet 2, 35, 37, 43	195439	Shaft 46	306981	Bracket, Lower 11
192773	Cover, Relay Panel 26	195522	Guard, Relay 30	306982	Bar 11
193535	Panel Assembly 2, 28	195531	Cable Assembly 44	306983	Modification Kit 11
193536	Cable Assembly 28	195540	Modification Kit 2, 49	306991	Bracket 15
193537	Cable Assembly 28	195543	Bracket, Mounting 49	306992	Clamp 15
193538	Cable Assembly 28	195611	Fuse, SL-BL 15 Amp 30, 34	306993	Plate 15
193539	Cable Assembly 28	195921	Modification Kit 2, 47	306994	Shaft 15
193540	Cable Assembly 28	195922	Modification Kit 2, 47	306995	Spacer 15
193541	Cable Assembly 28	195930	Bracket 47	307853**	Cover, Top 4
193542	Panel, Connector 28	195932	Bracket 47	309863	Driver Assembly 2, 36, 39, 42
193543	Bracket, Left Front 26	195933	Bracket 47	309864	Plate 42
193544	Bracket, Left Rear 26	195934	Clip, Spring 47	309865	Card, Circuit 42
193545	Panel, Red Plastic 24	195936	Insulator 47	309870	Tube, Vacuum 42
193546	Panel, Yellow Plastic 24	196930	Grilla 48	309871	Shield, Vacuum Tube 42
193547	Plate, Mounting 24	196931	Clip 48	309873	Shield, Vacuum Tube 42
193548	Plate, Designation 24	197603	Bracket 27	310083	Panel Assembly, Electrical Service 2, 32
193549	Panel, Plastic 24	197846	Cable Assembly 27	310084	Mounting Assembly, Selector Magnet Driver 2, 32, 39
193550**	Panel 24	198062	Motor, 115V AC 50 & 60 Cycle 47		

\*\*Refer to Page 1 for Finish Suffix

## NUMERICAL INDEX (Continued)

Part Number	Description and Page Number	Part Number	Description and Page Number	Part Number	Description and Page Number
310189	Plate, Mounting 32	311252**	Frame 4	312699	Capacitor, 600 MFD 41
310190	Bracket, Mounting 27	311254**	Panel 23	312701	Insulator 33
310231	Rack Assembly, Mounting 2, 27	311255	Plate, Switch 23	312702	Insulator, Terminal 33
310609	Bracket, Bumper 12	311256	Plate, Lamp 23	312703	Strap, Terminal 33
311229	Panel Assembly, Electrical Service 2, 35, 36	311257	Plate, Bottom 26	312704	Container 38
311233	Cable Assembly 35	311259	Cover, Insulator 36	312714**	Panel, Fixed Cover 22
311234	Cable Assembly 36	311260	Cover, Relay 35	312715	Plate, Identification 22
311235	Plate, Right 36	311261	Jumper, 3" Green 36	312716	Plate, Identification 22
311236	Plate, Left 35	311262	Jumper, 3" Green 36	315797	Rack Assembly 2, 26
311240	Cable Assembly 36	311263	Jumper, 3" White 36	315847	Modification Kit 17
311241	Bracket, Left 26, 27	311267**	Cover Assembly, Bottom 2, 19	315848	Latch 17
311242	Bracket, Right 26	311455	Guard, Gear 47	317063	Bracket 41
311243	Rack Assembly 2, 26	312500	Shield, Motor 50	317064	Cover 41
311244**	Panel, Right Side 4	312541	Transformer 41	317213	Lever 17
311245**	Panel, Left Side 4	312542	Rectifier Assembly 2, 33, 41	317214	Bracket, Channel 17
311246**	Base, Outer Frame 4	312696	Panel Assembly, Electrical Service 2, 33, 41	317219	Cable w/Terminals 41
311247**	Door 4	312697	Panel, Mounting 33	317323	Post 43
311248**	Cover, Bottom 19	312698	Mounting Assembly, Selector Magnet Driver 2, 38	320233	Spring 9
311249	Plate, Bottom Adapter 17			321925	Cover, Rectifier 44
311250	Pad, Felt 4			321926	Cover 44

\*\*Refer to Page 1 for Finish Suffix