

28 RECEIVING SELECTOR UNIT
WIRING DIAGRAM

1. GENERAL

1.01 This section shows the wiring of the 28A receiving selector unit for mounting on a 28A mounting and cover assembly.

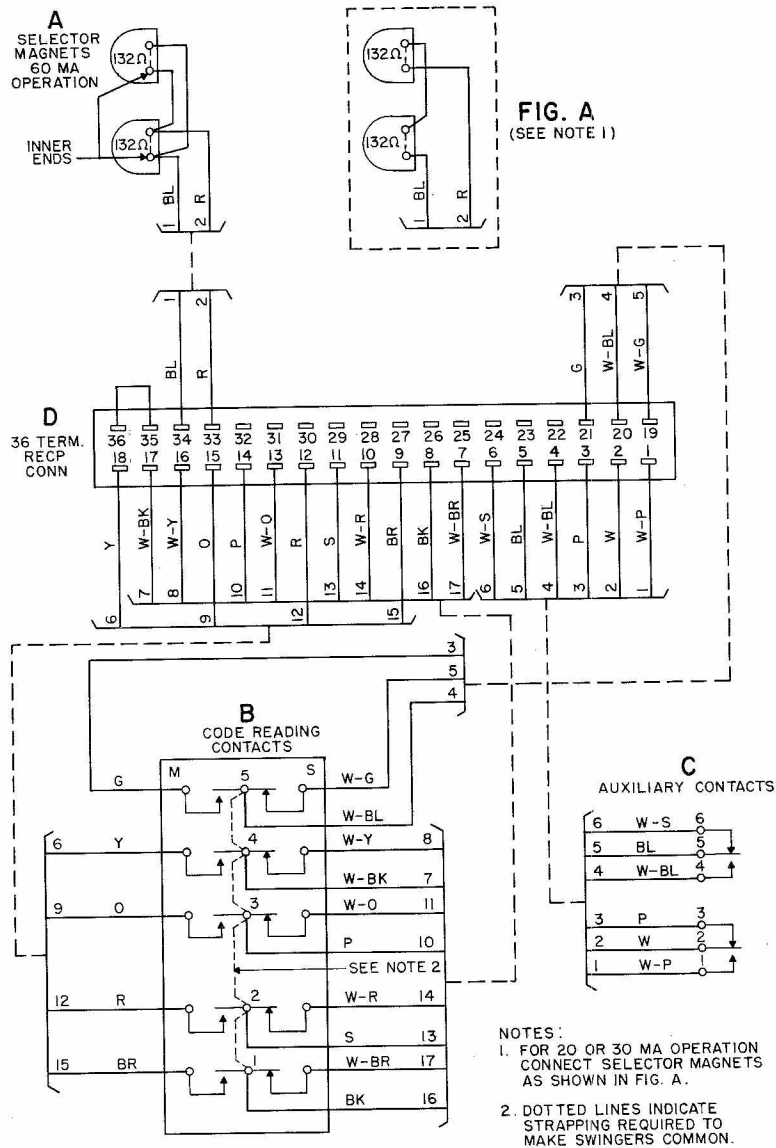


Figure 1 - 28A Receiving Selector Unit