

28 and 35 MULTI-MAGNET NON-TYPING REPERFORATOR BASE (LARB)

PARTS

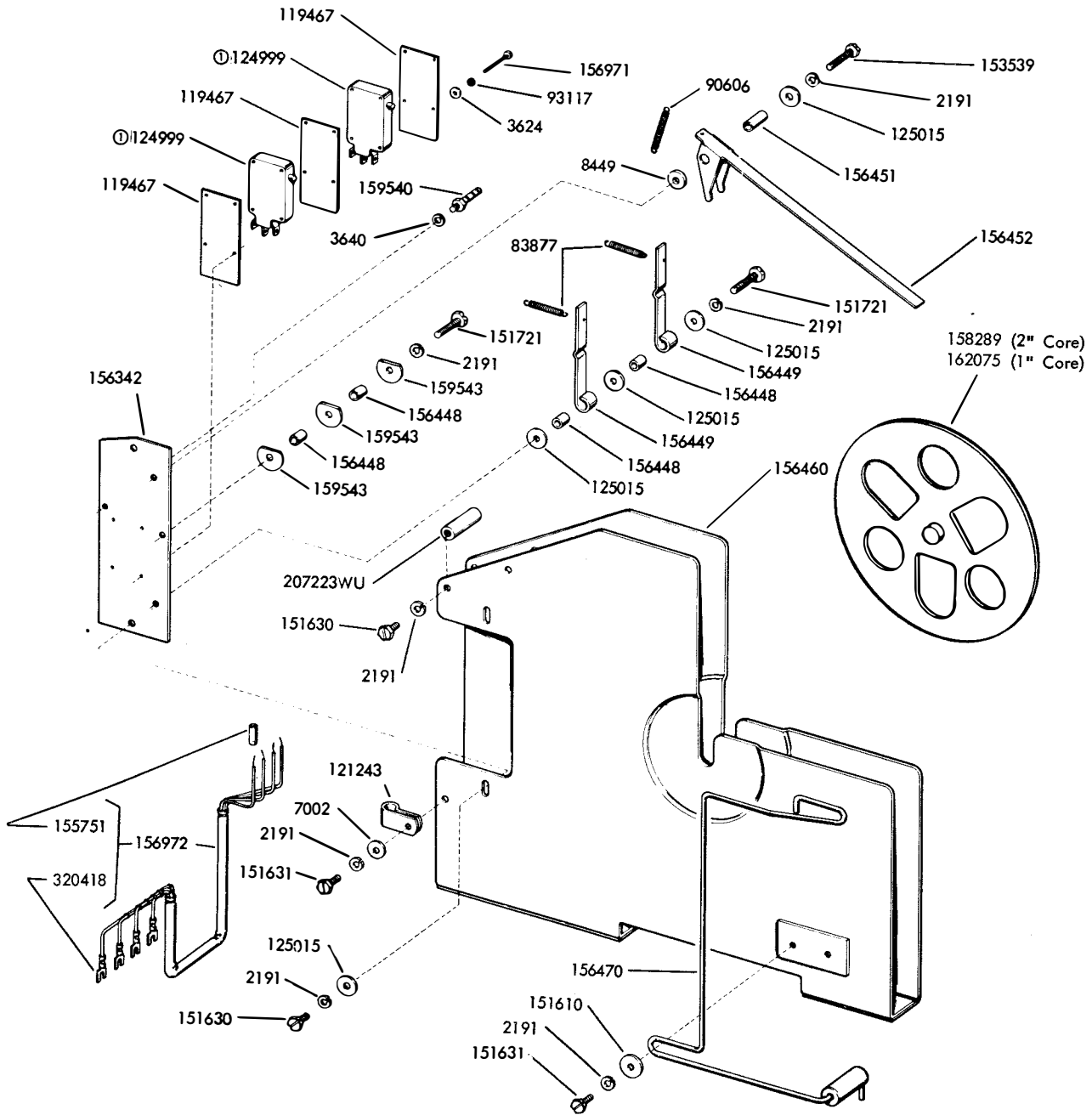
FIGURE	CONTENTS	PAGE
1	Tape Container	2
2	Base	3
3	Base (Continued)	4
4	Auxiliary Reperforator Base with Tape Container (11/16")	5
5	Double Plate Base	6
6	162957** and 305141** Tape Winder Assemblies	7
7	178702** (11/16" Tape) and 178703** (1" Tape) Tape Container Assemblies w/o Tape-out Switch	8
8	164774** (1" Tape), 164775** (7/8" Tape) and 164776** (11/16" Tape) Tape Containers	9
9	162923 Modification Kit to Provide Non-Metered Tape-out	10
10	Double Plate Base with Tape Container Bracket	11
11	304880 Tape Container Assembly	12
12	307120 Chad Box Assembly	13
	Numerical Index	14

PAINT FINISH COLOR CODE CHART		
COLOR	Finish Suffixes	
	Textured Vinyl	Smooth Vinyl
Green Gray Light Gray Olive Gray	GA(45)	HB(68) HF(46)
The double asterisk(**) denotes a painted part. Suffix to be applied following the part number. Number in parentheses indicates Bell System Code.		

NOTE: When ordering parts from this section, prefix each number with the letters TP.

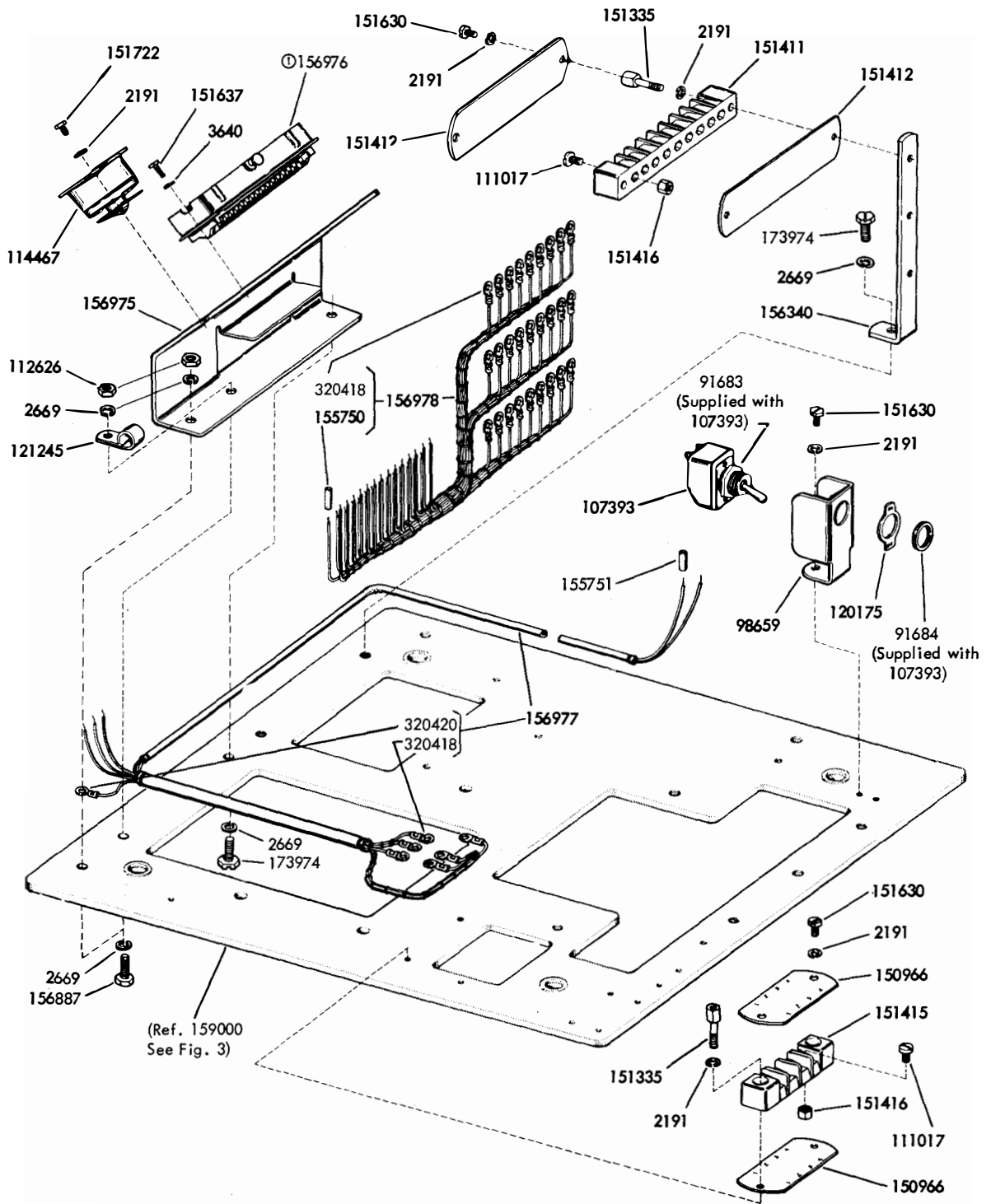
The part identification information contained in the following change notice has been incorporated in this issue.

TCN	#686
-----	------



Ⓢ Part of 156972

FIGURE 1. TAPE CONTAINER



① Part of 156978

FIGURE 2. BASE

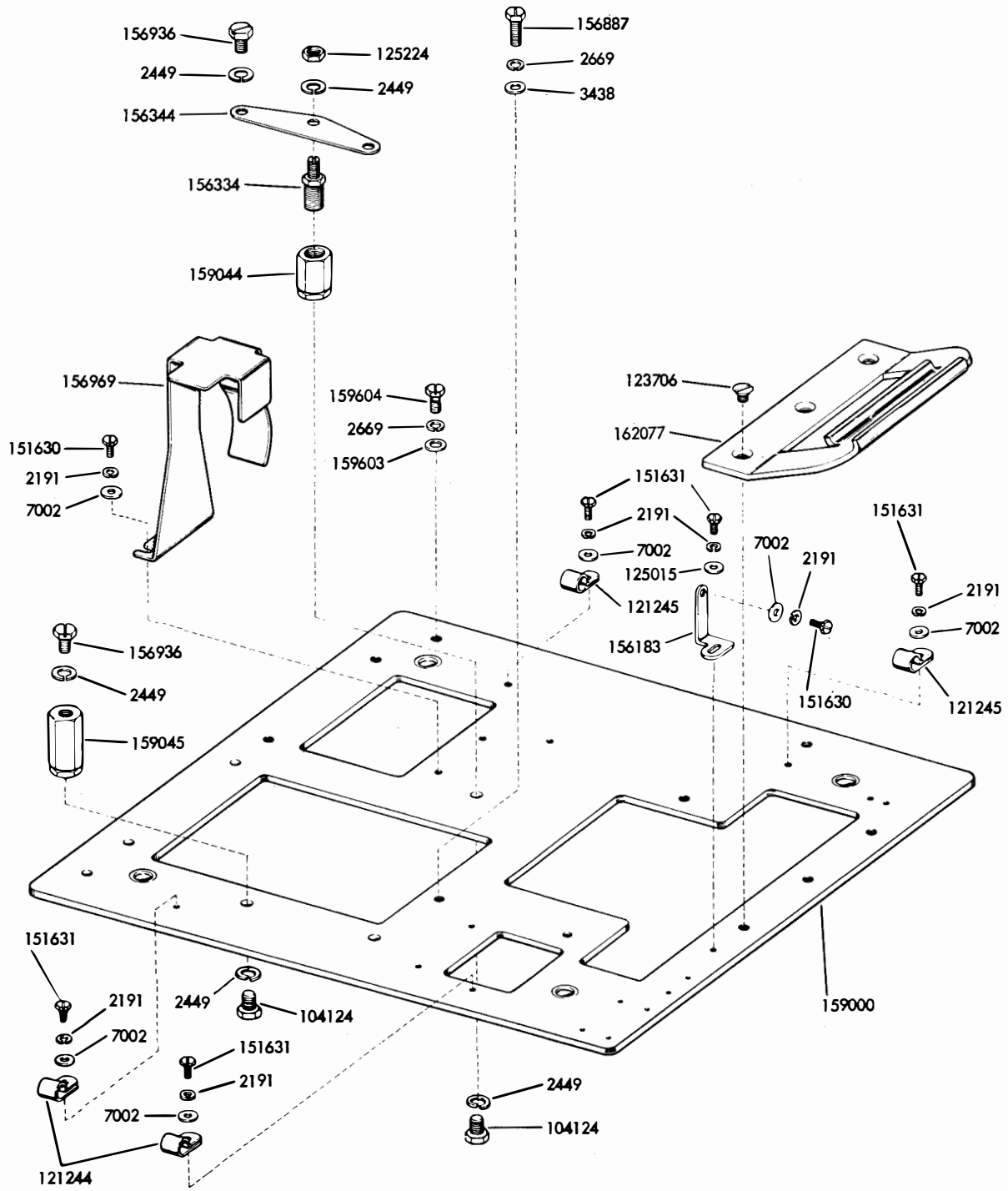


FIGURE 3. BASE (Continued)

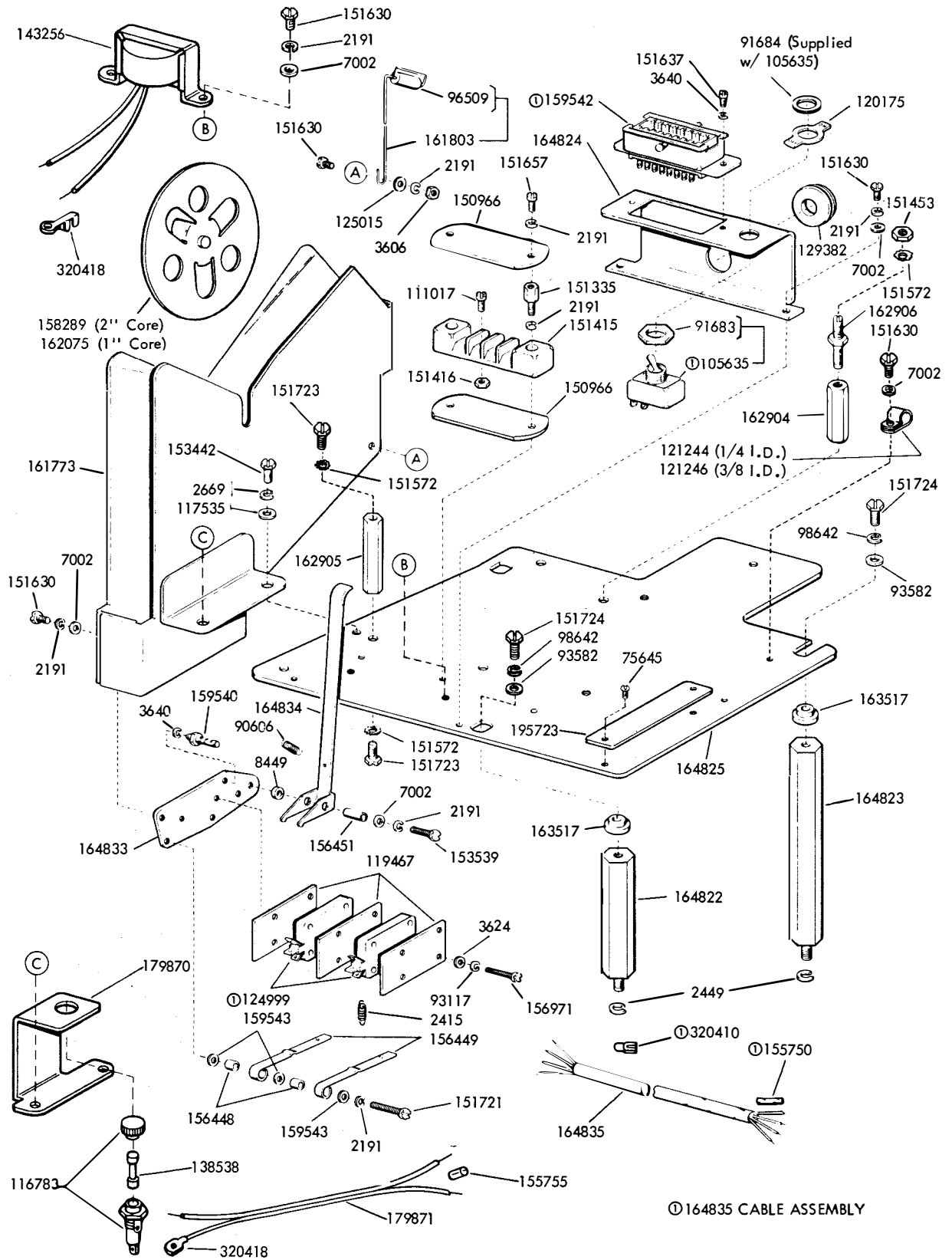


FIGURE 4. AUXILIARY REPERFORATOR BASE WITH TAPE CONTAINER (11/16")

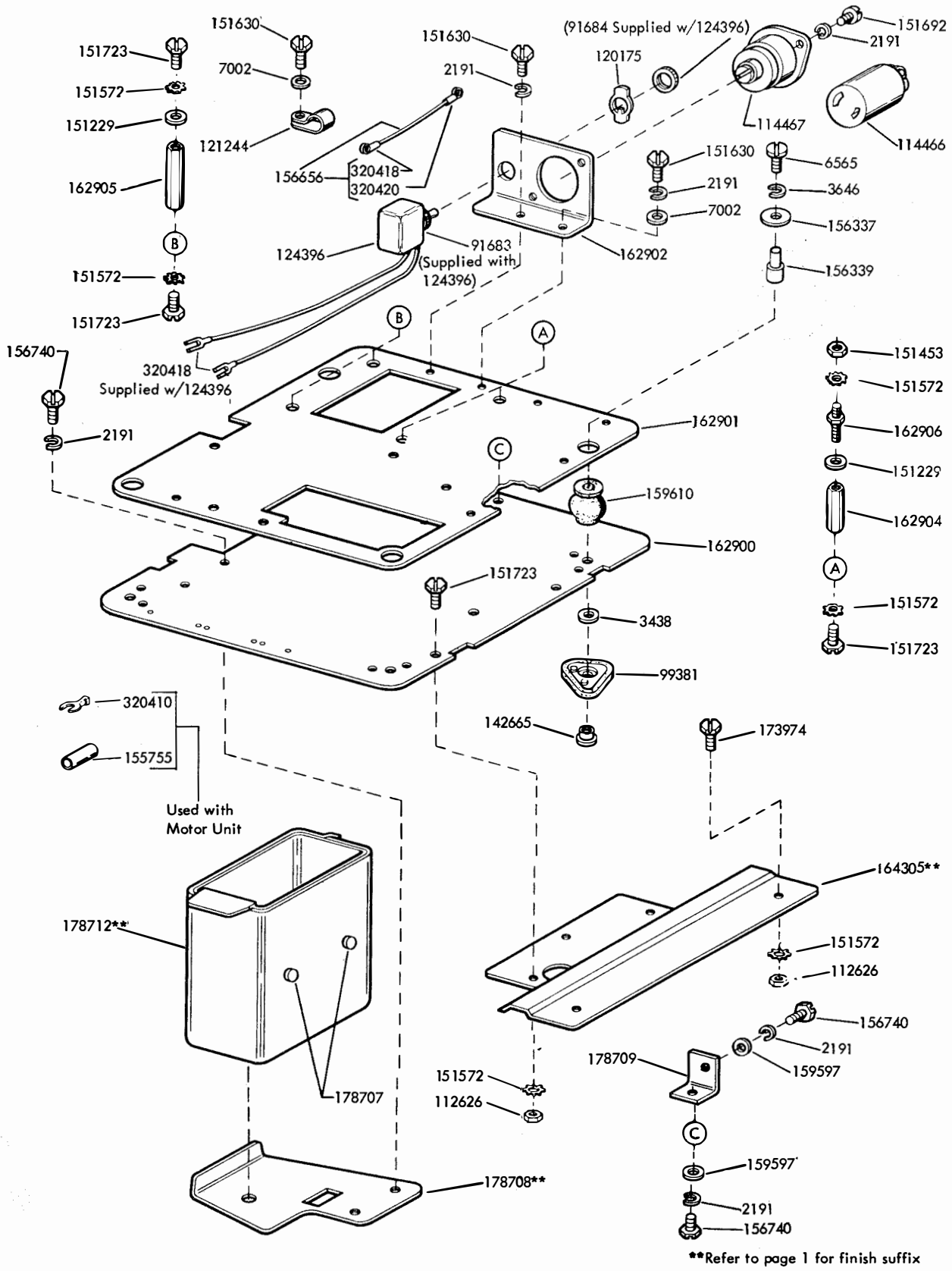


FIGURE 5. DOUBLE PLATE BASE

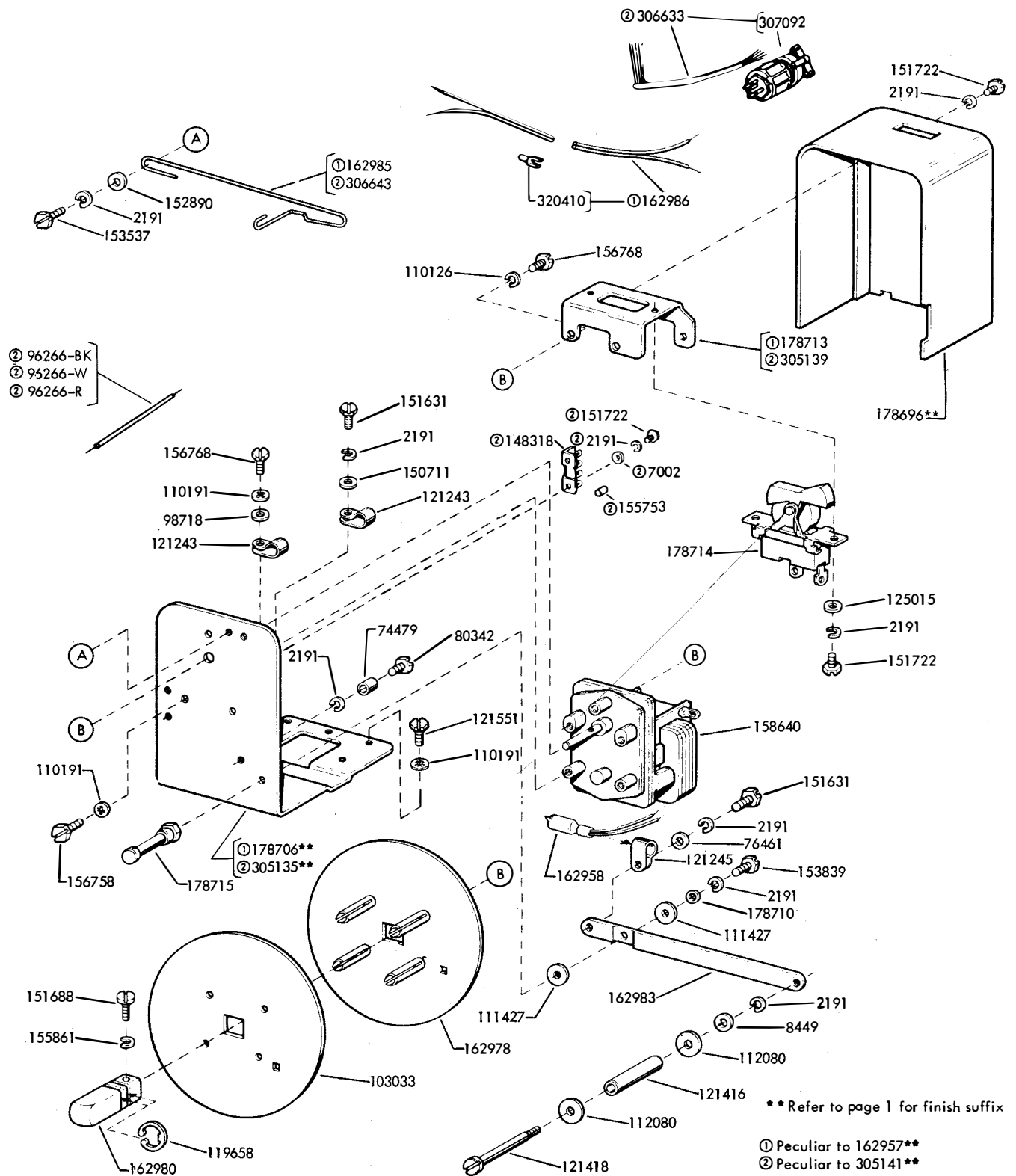
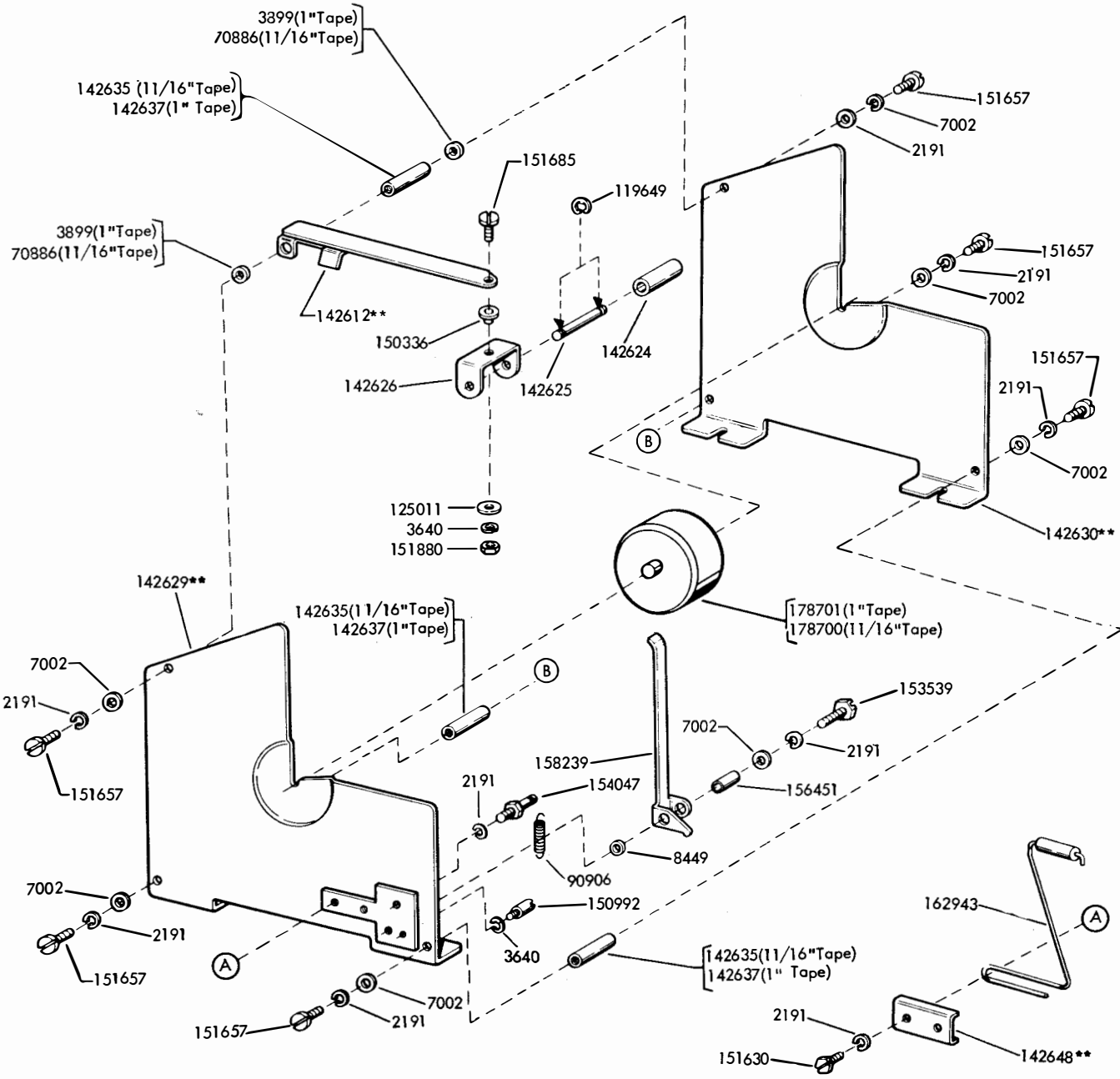


FIGURE 6. 162957** AND 305141** TAPE WINDER ASSEMBLIES



**Refer to page 1 for finish suffix

FIGURE 7. 178702** (11/16" TAPE) AND 178703** (1" TAPE) TAPE CONTAINER ASSEMBLIES W/O TAPE-OUT SWITCH

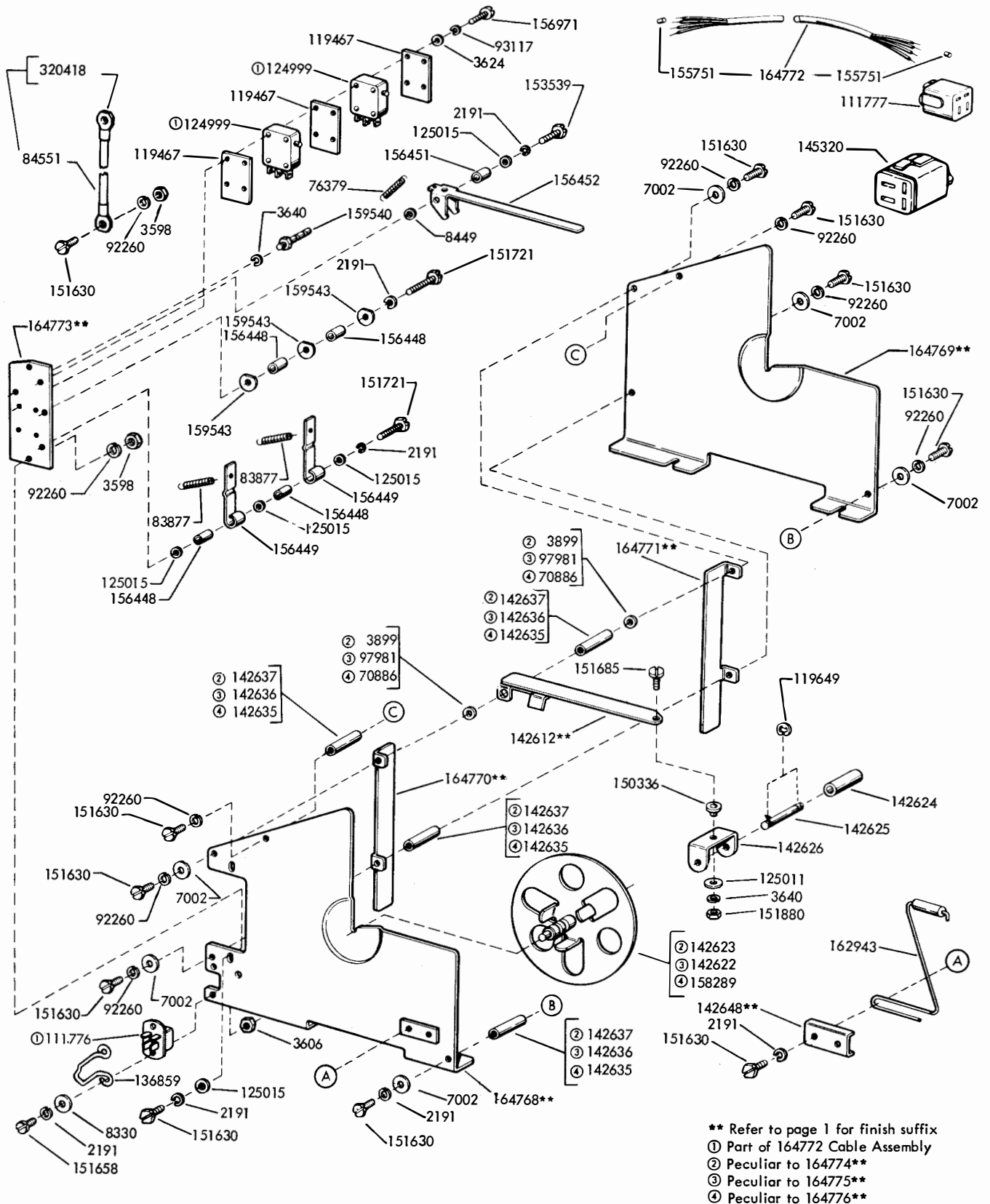


FIGURE 8. 164774** (1" TAPE), 164775** (7/8" TAPE) AND 164776** (11/16" TAPE) TAPE CONTAINERS

** Refer to page 1 for finish suffix
 ① Part of 164772 Cable Assembly
 ② Peculiar to 164774**
 ③ Peculiar to 164775**
 ④ Peculiar to 164776**

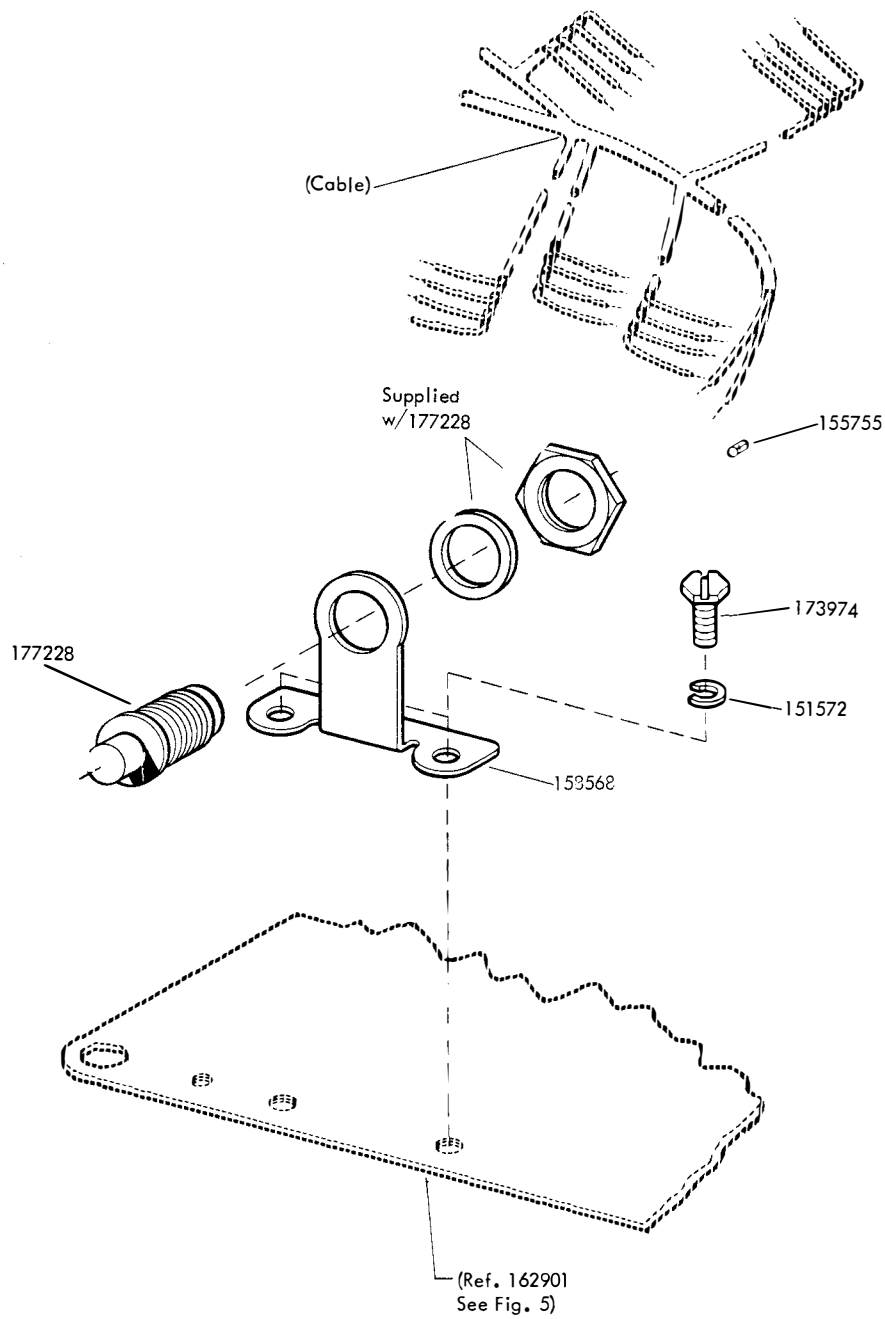


FIGURE 9. 162923 MODIFICATION KIT TO PROVIDE NON-METERED TAPE OUT

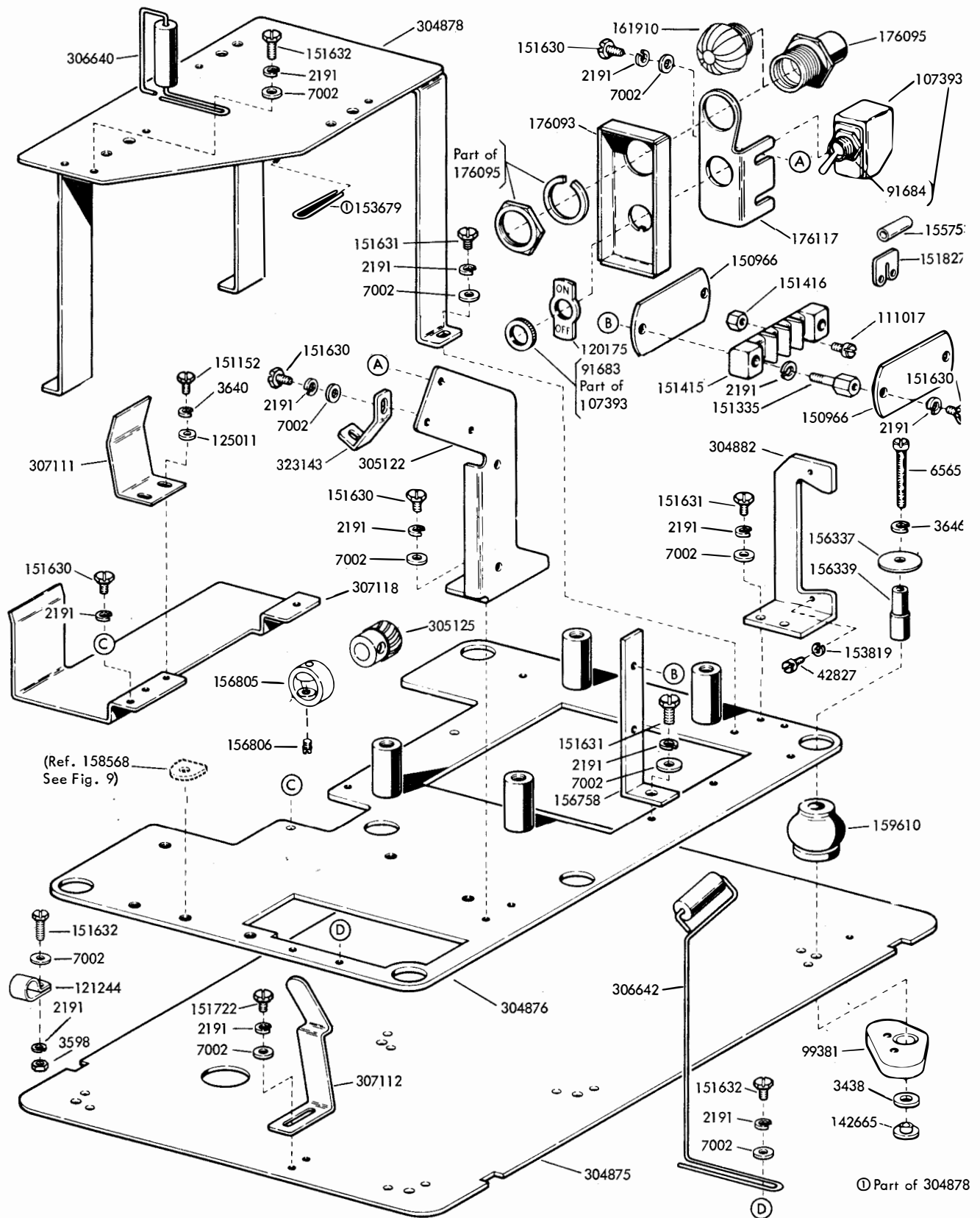
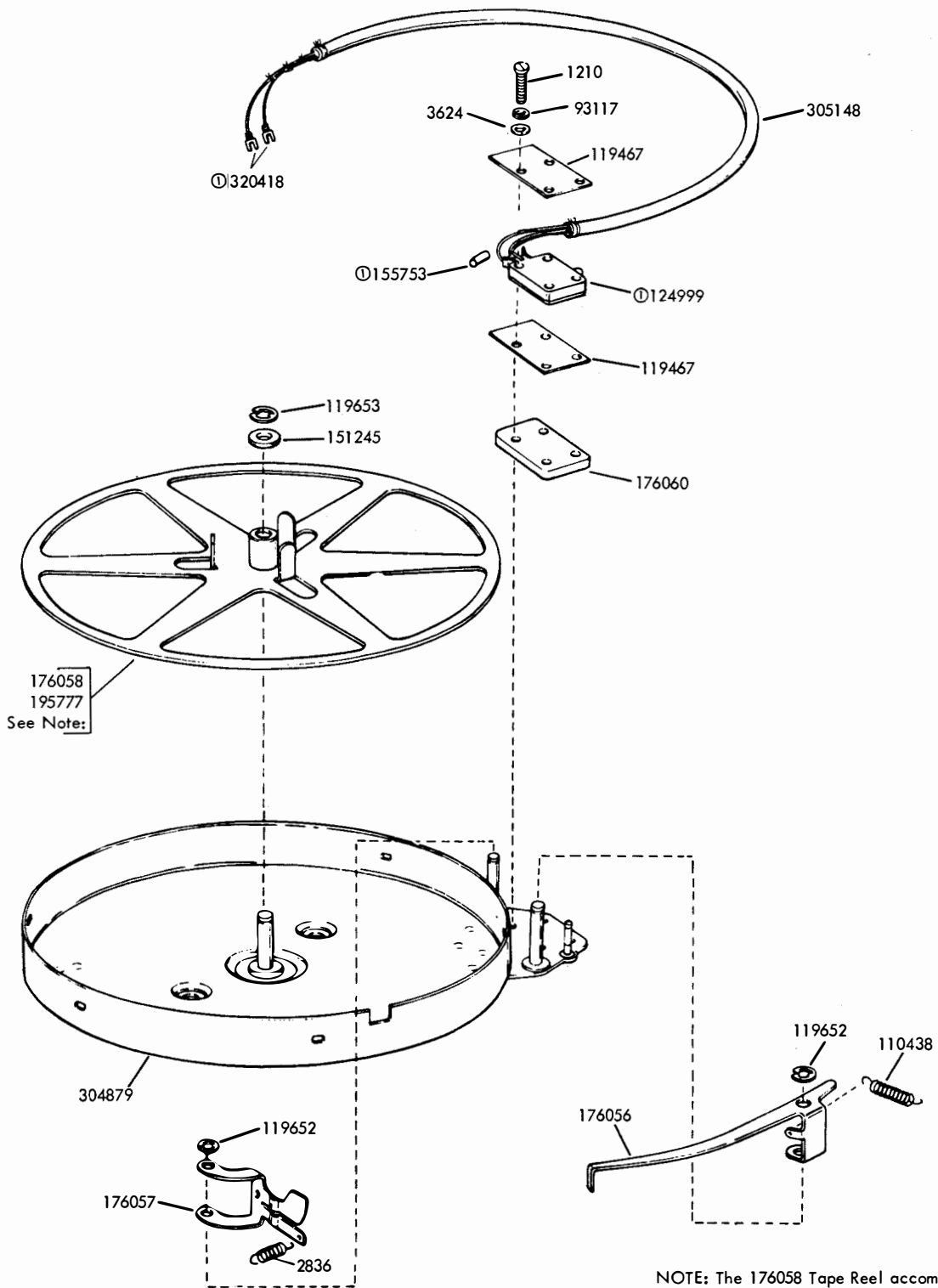


FIGURE 10. DOUBLE PLATE BASE WITH TAPE CONTAINER BRACKET



NOTE: The 176058 Tape Reel accommodates the 2" inner diameter Tape Core. The 195777 Tape Reel accommodates the 1" inner diameter Tape Core.
 ① Part of the 305148 Cable Assembly

FIGURE 11. 304880 TAPE CONTAINER ASSEMBLY

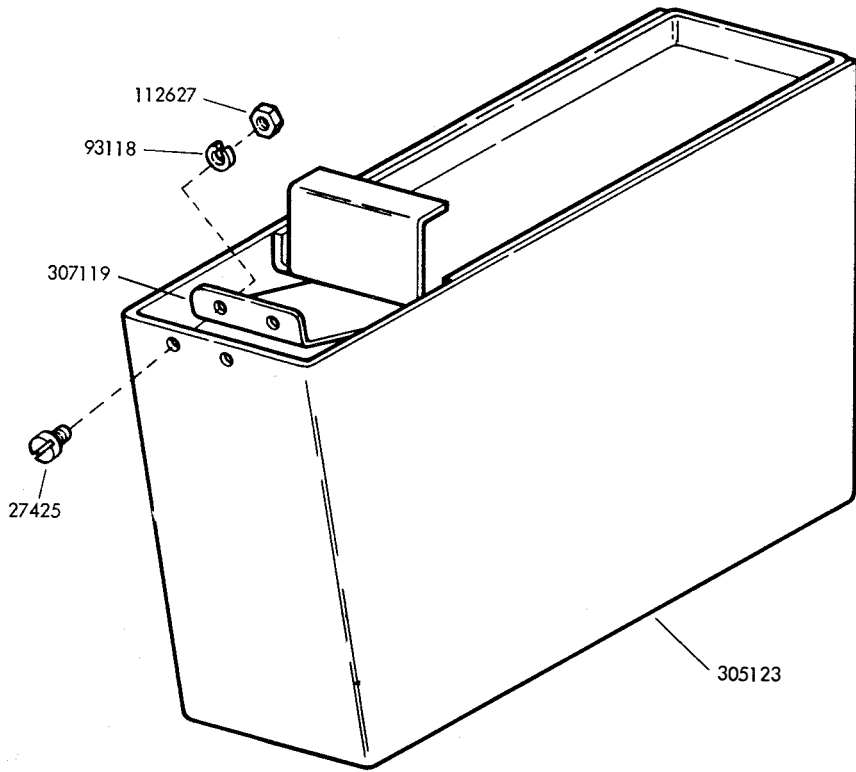


FIGURE 12. 307120 CHAD BOX ASSEMBLY

NUMERICAL INDEX

Part Number	Description and Page Number	Part Number	Description and Page Number	Part Number	Description and Page Number
1210	Screw, 2-56 x 5/8 Fil 12	99381	Foot, Rubber 6,11	138538	Fuse, SL-BL 2 Amp 5
2191	Lockwasher 2 to 9,11	103033	Lid, Tape Reel 7	142612**	Guide 8,9
2415	Spring 5	104124	Screw, 1/4-32 x 11/32 Hex 4	142622	Reel, Tape 9
2449	Lockwasher 4,5			142623	Reel, Tape 9
2669	Lockwasher 3,4,5	105635	Switch, DP-ST Toggle 5	142624	Roller 8,9
2836	Spring 12	107393	Switch, SP-ST Toggle 3,11	142625	Shaft 8,9
3438	Washer, Flat 4,6,11			142626	Bracket 8,9
3598	Nut, 6-40 Hex 9,11	110126	Lockwasher 7	142629**	Panel, Left 8
3606	Nut, 6-40 Hex 5,9	110191	Lockwasher 7	142630**	Panel, Right 8
3624	Washer, Flat 2,5,9,12	110438	Spring 12	142635	Spacer, .890" Thk 8,9
3640	Lockwasher 2,3,5,8,9,11	111017	Screw, 6-40 x 5/16 Fil 3,5,11	142636	Spacer, 1.078" Thk 9
3646	Lockwasher 6,11			142637	Spacer, 1.203" Thk 8,9
3899	Spacer, .188" Thk 8,9	111427	Washer, Flat 7	142648**	Retainer 8,9
6565	Screw, 8-32 x 1-1/4 Fil 6,11	111776	Connector, 4 Pt Plug 9	142665	Nut, 8-32 Spl 6,11
		111777	Connector, 4 Pt Receptacle 9	143256	Inductor, 1.7 Ohm 5
7002	Washer, Flat 2,4 to 9,11			145320	Connector, 4 Pt Receptacle 9
8330	Washer, Flat 9	112080	Washer, Flat 7		
8449	Spacer, .094" Thk 2,5,7 to 9	112626	Nut, 10-32 Hex 3,6	148318	Board, Terminal 7
		112627	Nut, 2-56 Hex 13	150336	Bushing 8,9
27425	Screw, 2-56 x 5/32 Fil 13	114466	Connector, 3 Pt Receptacle 6	150711	Washer, Flat 7
				150966	Insulator, Terminal Block 3,5,11
42827	Screw, 3-48 x 1/4 Fil 11	114467	Connector, 3 Pt Plug 3,6		
70886	Washer, Flat 8,9	116783	Holder, Fuse 5	150992	Stud 8
74479	Bushing 7	117535	Washer, Flat 5	151152	Screw, 4-40 x 3/16 Hex 11
75645	Screw, No. 0 x 1/8 Drive 5	119467	Insulator, .032" Thk 2,5,9,12	151229	Washer, Flat 6
76379	Spring 9	119649	Ring, Retaining 8,9	151245	Washer, Felt 12
76461	Washer, Flat 7	119652	Ring, Retaining 12	151335	Stud 3,5,11
80342	Screw, 6-40 x 23/64 Hex 7	119653	Ring, Retaining 12	151411	Block, Terminal 3
		119658	Ring, Retaining 7	151412	Insulator, Terminal Block 3
83877	Spring 2,9	120175	Plate, ON-OFF 3,5,6,11		
84551	Jumper, 5-1/4" Black 9	121243	Clamp, 3/16 ID Cable 2,7	151415	Block, Terminal 3,5,11
90606	Spring 2,5	121244	Clamp, 1/4 ID Cable 4,5,6,11	151416	Nut, 6-40 Hex 3,5,11
90906	Knob 8			151453	Nut, 10-32 Hex 5,6
91683	Nut, 15/32-32 Hex 3,5,6,11	121245	Clamp, 5/16 ID Cable 3,4,7	151572	Lockwasher 5,6,10
				151610	Washer, Flat 2
91684	Nut, 15/32-32 Ring 3,5,6,11	121246	Clamp, 3/8 ID Cable 5	151630	Screw, 6-40 x 1/4 Hex 2 to 6,8,9,11
		121416	Roller 7		
92260	Lockwasher 9	121418	Screw, 6-40 Shoulder 7	151631	Screw, 6-40 x 5/16 Hex 2,4,7,11
93117	Lockwasher 2,5,9,12	121551	Screw, 8-32 x 1/4 Hex 7		
93118	Lockwasher 13	123706	Screw, 10-32 x 1/4 Flat 4	151632	Screw, 6-40 x 3/8 Hex 11
93582	Washer, Flat 5			151637	Screw, 4-40 x 1/4 Fil 3,5
96266R	Jumper, 6" Red 7	124396	Switch Assembly 6		
96266W	Jumper, 6" White 7	124999	Switch, Sensitive 2,5,9,12	151657	Screw, 6-40 x 1/4 Fil 5,8
96266BK	Jumper, 6" Black 7				
96509	Roller 5	125011	Washer, Flat 8,9,11	151658	Screw, 6-40 x 5/16 Fil 9
97981	Spacer 9	125015	Washer, Flat 2,4,5,7,9	151685	Screw, 4-40 x 5/16 Fil 8,9
98642	Lockwasher 5	125224	Nut, 1/4-32 Hex 4		
98659	Bracket, Switch 3	129382	Grommet, Rubber 5	151688	Screw, 4-40 x 5/8 Fil 7
98718	Washer, Flat 7	136859	Holder, Plug 9	151692	Screw, 6-40 x 3/16 Fil 6

**Refer to page 1 for finish suffix

NUMERICAL INDEX (Continued)

Part Number	Description and Page Number	Part Number	Description and Page Number	Part Number	Description and Page Number
151721	Screw, 6-40 x 3/4 Hex 2, 5,9	156969	Guard, Gear 4	164770**	Plate, Left 9
151722	Screw, 6-40 x 3/16 Hex 3,7,11	156971	Screw, 2-56 x 3/4 Fil 2,5,9	164771**	Plate, Right 9
151723	Screw, 10-32 x 3/8 Hex 5,6	156972	Cable Assembly 2	164772	Cable Assembly 9
151724	Screw, 10-32 x 5/8 Hex 5	156975	Bracket, Connector Mounting 3	164773**	Plate, Mounting 9
151827	Strap, Terminal 11	156976	Connector, 32 Pt Plug 3	164774**	Container Assembly, 1" Tape 1,9
151880	Nut, 4-40 Hex 8,9	156977	Cable w/Terminals 3	164775**	Container Assembly, 7/8" Tape 1,9
152890	Washer, Flat 7	156978	Cable Assembly 3	164776**	Container Assembly, 11/16" Tape 1,9
153442	Screw, 10-32 x 1/2 Hex 5	158239	Lever, Tape 8	164822	Stud, 3-39/64" Mounting 5
153537	Screw, 6-40 x 9/32 Hex 7	158289	Reel, Tape 2,5,9	164823	Stud, 5-1/16" Mounting 5
153539	Screw, 6-40 x 11/16 Hex 2,5,8,9	158568	Bracket 10,11	164824	Bracket, Receptacle 5
153679	Clip, Spring 11	158640	Motor, 115V AC Shaded Pole 7	164825	Plate, Base 5
153819	Lockwasher 11	159000	Base 3,4	164833	Plate 5
153839	Screw, 6-40 x 5/8 Hex 7	159044	Post 4	164834	Lever, Tape 5
154047	Post, Spring 8	159045	Post 4	164835	Cable Assembly 5
155750	Sleeve, 3/32 ID x 1/2" Lg Insulating 3,5	159540	Post, Spring 2,5,9	173974	Screw, 10-32 x 5/16 Hex 3,6,10
155751	Sleeve, 1/8 ID x 1" Lg Insulating 2,3,9	159542	Connector, 16 Pt Receptacle 5	176056	Bail, Tape Sensing 12
155753	Sleeve, 1/8 ID x 1/2" Lg Insulating 7,11,12	159543	Washer, Flat 2,5,9	176057	Bail, Switch Actuating 12
155755	Sleeve, 11/64 ID x 5/8" Lg Insulating 5,6,10	159597	Washer, Flat 6	176058	Reel, Tape 12
155861	Lockwasher 7	159603	Washer, Captive 4	176060	Spacer 12
156183	Bracket, Anchor 4	159604	Screw, 10-32 x 1/2 Hex 4	176093	Plate 11
156334	Stud 4	159610	Mount, Vibration 6,11	176095	Lamp, Red Tape-Out 11
156337	Washer, Flat 6,11	161773	Container, Tape 5	176117	Bracket 11
156339	Bushing 6,11	161803	Guide, Tape 5	177228	Switch, Black Pushbutton 10
156340	Bracket 3	161910	Cap, Amber 11	178696**	Cover, Tape Winder 7
156342	Plate 2	162075	Reel, Tape 2,5	178700	Reel, Tape 8
156344	Bracket, Adjusting 4	162077	Handle, Base 4	178701	Reel, Tape 8
156448	Bushing 2,5,9	162900	Plate, Lower Base 6	178702**	Container Assembly 1,8
156449	Lever, Switch 2,5,9	162901	Plate, Upper Base 6,10	178703**	Container Assembly 1,8
156451	Bushing 2,5,8,9	162902	Bracket, Switch 6	178706**	Bracket, Mounting 7
156452	Lever, Tape 2,9	162904	Post 5,6	178707	Bumper, Rubber 6
156460	Container, Tape 2	162905	Post 5,6	178708**	Bracket, Chad Box Mounting 6
156470	Guide, Tape 2	162906	Stud 5,6	178709	Bracket, Locking Cover 6
156656	Jumper, 2-3/4" Black 6	162923	Modification Kit 1,10	178710	Spacer, Tape Arm 7
156740	Screw, 6-40 x 7/32 Hex 6	162943	Guide w/Roller 8,9	178712**	Box, Chad 6
156758	Bracket 7,11	162957**	Winder Assembly, Tape 1,7	178713	Bracket, Switch 7
156768	Screw, 8-32 x 9/32 Hex 7	162958	Switch, Mercury 7	178714	Switch, Rocker Type 7
156805	Retainer 11	162978	Disc, Tape Reel 7	178715	Stud, Tape 7
156806	Post 11	162980	Hub w/Balls 7	179870	Bracket, Fuse 5
156887	Screw, 10-32 x 9/16 Hex 3,4	162983	Arm, Tape Tension 7	179871	Cable w/Terminal 5
156936	Screw, 1/4-32 x 5/16 Hex 4	162985	Arm, Tape Guide 7	195723	Plate, Identification 5
		162986	Cable 7	195777	Reel, Tape 12
		163517	Bushing, Rubber 5		
		164305**	Plate 6		
		164768**	Panel, Left 9		
		164769**	Panel, Right 9		

**Refer to page 1 for finish suffix

NUMERICAL INDEX (Continued)

Part Number	Description and Page Number	Part Number	Description and Page Number	Part Number	Description and Page Number
207223WU	Spacer, .937" Thk 2	305125	Pinion, 13T 11	307111	Clamp 11
304875	Plate, Lower Base 11	305135**	Bracket, Mounting 7	307112	Latch, Cover 11
304876	Plate, Upper Base 11	305139	Bracket, Switch 7	307118	Bracket 11
304878	Bracket, Tape Container 11	305141**	Winder Assembly, Tape 1,7	307119	Deflector, Chad 13
304879	Container, Tape 12	305148	Cable Assembly 12	307120	Box Assembly, Chad 1,13
304880	Container Assembly, Tape 1,12	306633	Cable Assembly 7	320410	Terminal, Spade Type 5,6,7
304882	Bracket, Connector 11	306640	Guide w/Roller, Tape 11	320418	Terminal, Ring Type 2,3,5,6,9,12
305122	Support 11	306642	Guide w/Roller, Tape 11	320420	Terminal, Ring Type 3,6
305123	Box, Chad 13	306643	Guide w/Roller, Tape 7	323143	Brace 11
		307092	Connector, 5 Pt Plug 7		

**Refer to page 1 for finish suffix