

35 KEYBOARD TAPE PRINTER TELETYPEWRITER SET
FUNCTIONAL DIAGRAMS

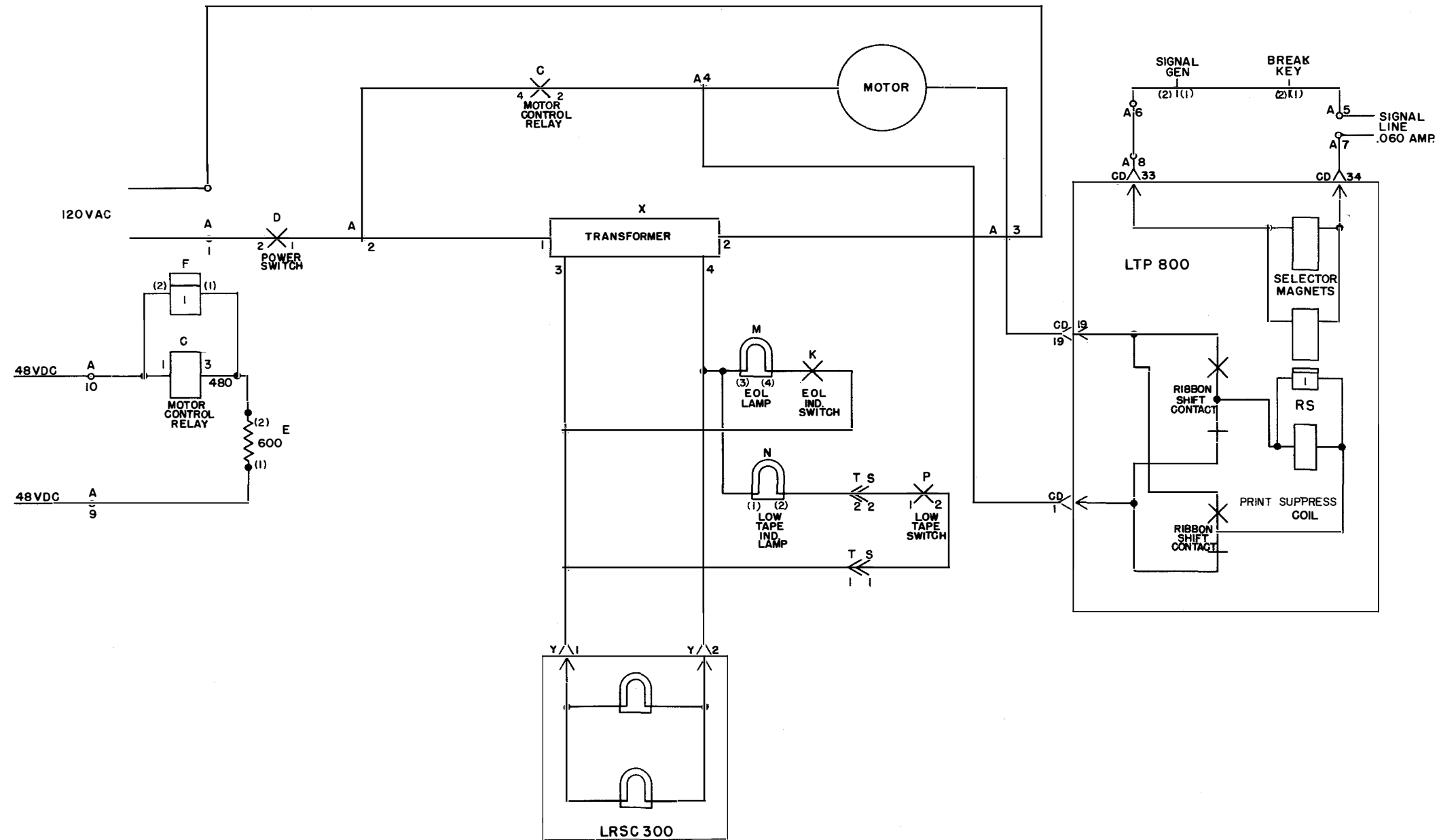
CONTENTS	PAGE	35AB KEYBOARD TAPE PRINTER
1. GENERAL	1	2.01 Wiring diagram 5869WD illustrates the complete electrical circuits for the 35AB Keyboard Tape Printer. This unit operates from a 120 VAC power source and is intended for central office switch locations.
2. SCHEMATIC WIRING DIAGRAMS ..	1	
35AB KEYBOARD TAPE PRINTER .	1	35AD KEYBOARD TAPE PRINTER
35AD KEYBOARD TAPE PRINTER .	1	2.02 Wiring diagram 5891WD illustrates the complete electrical circuits for the 35AD Keyboard Tape Printer. This unit operates from a 48 VDC power source and is intended for switchboard locations.
35AE KEYBOARD TAPE PRINTER .	1	35AE KEYBOARD TAPE PRINTER
1. GENERAL		2.03 Wiring diagram 5893WD constitutes the schematic for the 35AE Keyboard Tape Printer. Sheet one of 5893WD covers the signal generating circuits and sheet two of 5893WD covers the KTP power circuits. This unit operates from a 120 VAC power source and is intended for test board locations of the central office.
1.01 The electrical circuits for the 35AB, 35AD, and 35AE Keyboard Tape Printer Sets are covered by the attached schematic wiring diagrams.		
1.02 The schematic wiring diagrams are of the detached type where relays, contacts, terminal strips, etc., are detached to indicate their varied functions.		
2. SCHEMATIC WIRING DIAGRAMS		

5869WD

REVISIONS		
ISSUE	DATE	AUTH. NO.
A	2-6-63	75873

KEYBOARD TAPE PRINTER POWER AND CONTROL CIRCUIT

- LEGEND**
LOCATED ON KYBD.
- = 10 PT. TERM STRIP
 - = 36 PT. CONNECTOR
 - = 2 PT. CONNECTOR
 - = 3 PT. CONNECTOR
 - = 185A NETWORK



SCHEMATIC WIRING
DIAGRAM FOR
TAPE
TELETYPEWRITER
35AB

APPROVALS	
R AND D	E OF M

E-NUMBER
PROD. NO. 5869 WD
DATE: 5-17-62
P.D. FILE NO. 1-49.151AA
DRAWN: R.H.B. GHKD.
ENGD. J.A.C. APPD.

TELETYPE
CORPORATION

5869WD

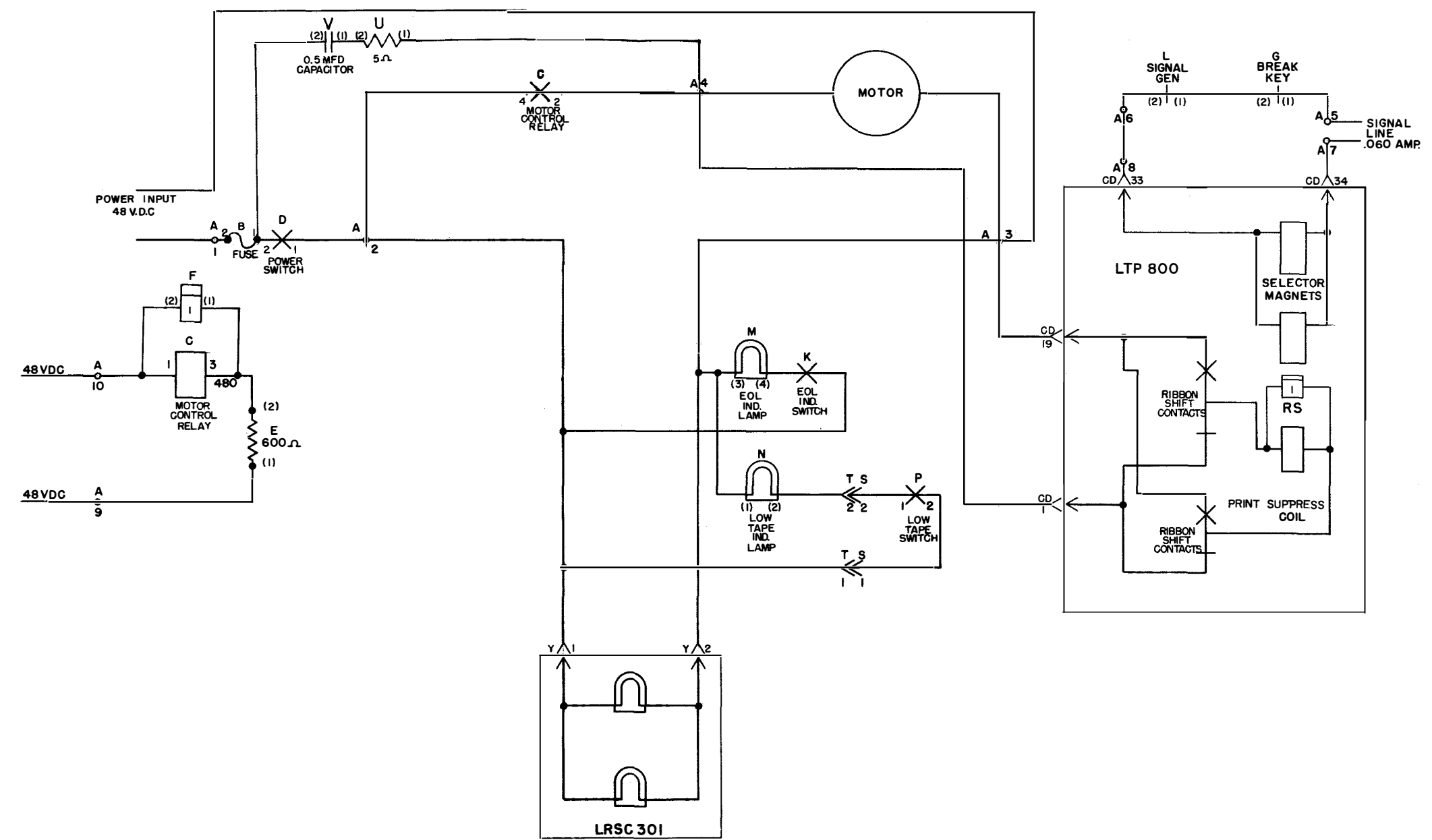
5891WD

REVISIONS		
ISSUE	DATE	AUTH. NO.
A	2-6-63	75873

KEYBOARD TAPE PRINTER POWER AND CONTROL CIRCUIT

LEGEND
LOCATED ON KYBC

	10 PT. TERM. STRIP
	36 PT. CONNECTOR
	2 PT. CONNECTOR
	3 PT. CONNECTOR
	185A NETWORK



SCHEMATIC WIRING DIAGRAM FOR TAPE TELETYPEWRITER 35AD

APPROVALS

R AND D	E OF M

E-NUMBER
 PROD. NO. 5891 WD
 DATE: 5-17-62
 P.D. FILE NO. 1-49.151AA
 DRAWN: R.H.B. | GHKD.
 ENGD. J.A.C. | APPD.

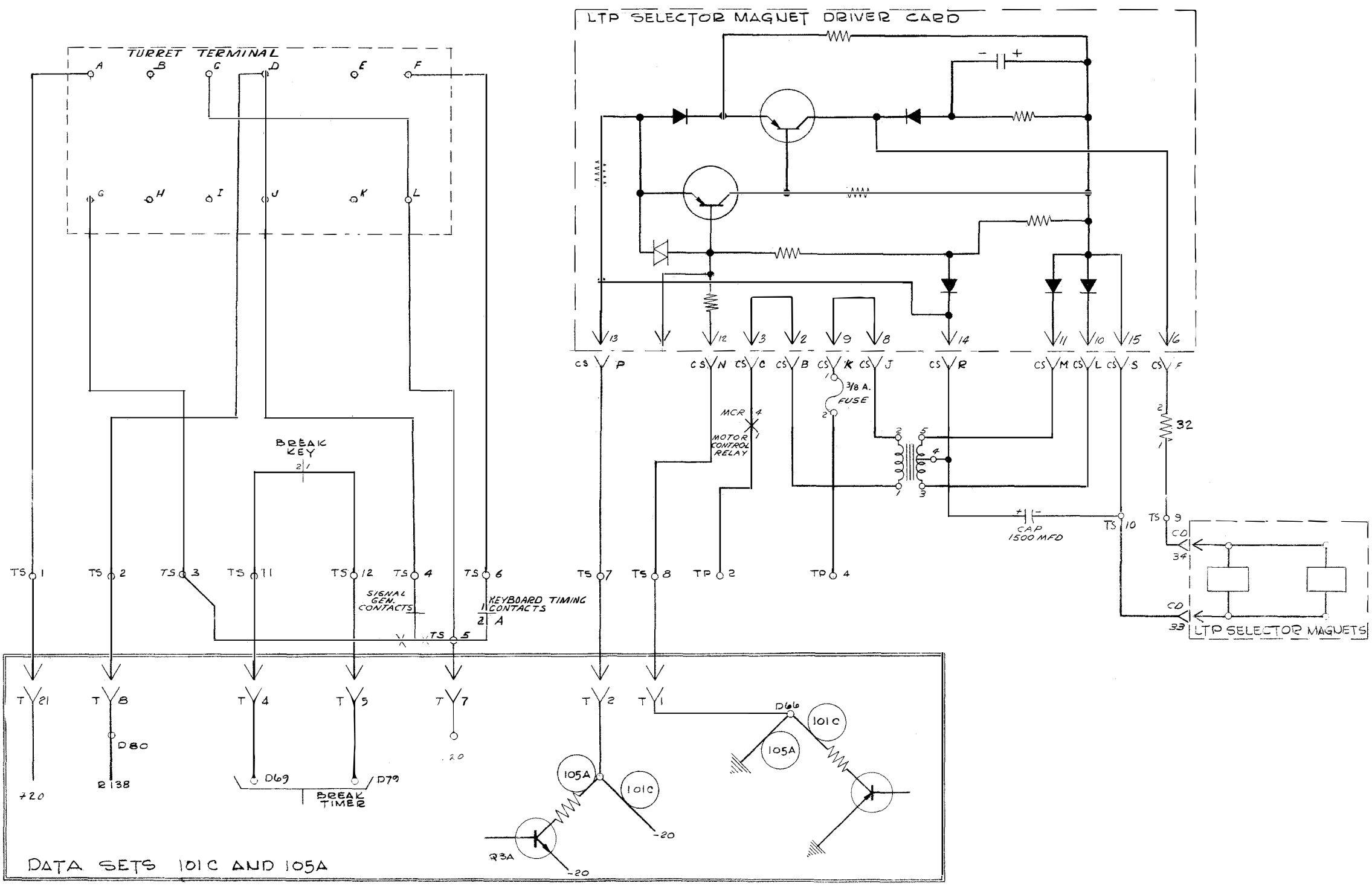
TELETYPE CORPORATION

5891WD

5893WD

ISSUE	DATE	AUTH. NO
A	2-6-63	75873

LEGEND
 TP ON LESU
 O - 1/2 PT. TERM. STRIP
 TS ON LESU
 O - 1/2 PT. TERM. STRIP
 CD ON KYBD.
 O - 3/16 PT. CONNECTOR
 CS ON LESU
 O - 1/2 PT. TERM. STRIP



SCHEMATIC WIRING DIAGRAM FOR TAPE TELETYPEWRITER 35AE

APPROVALS

D AND R	E OF M
<i>[Signature]</i>	<i>[Signature]</i>

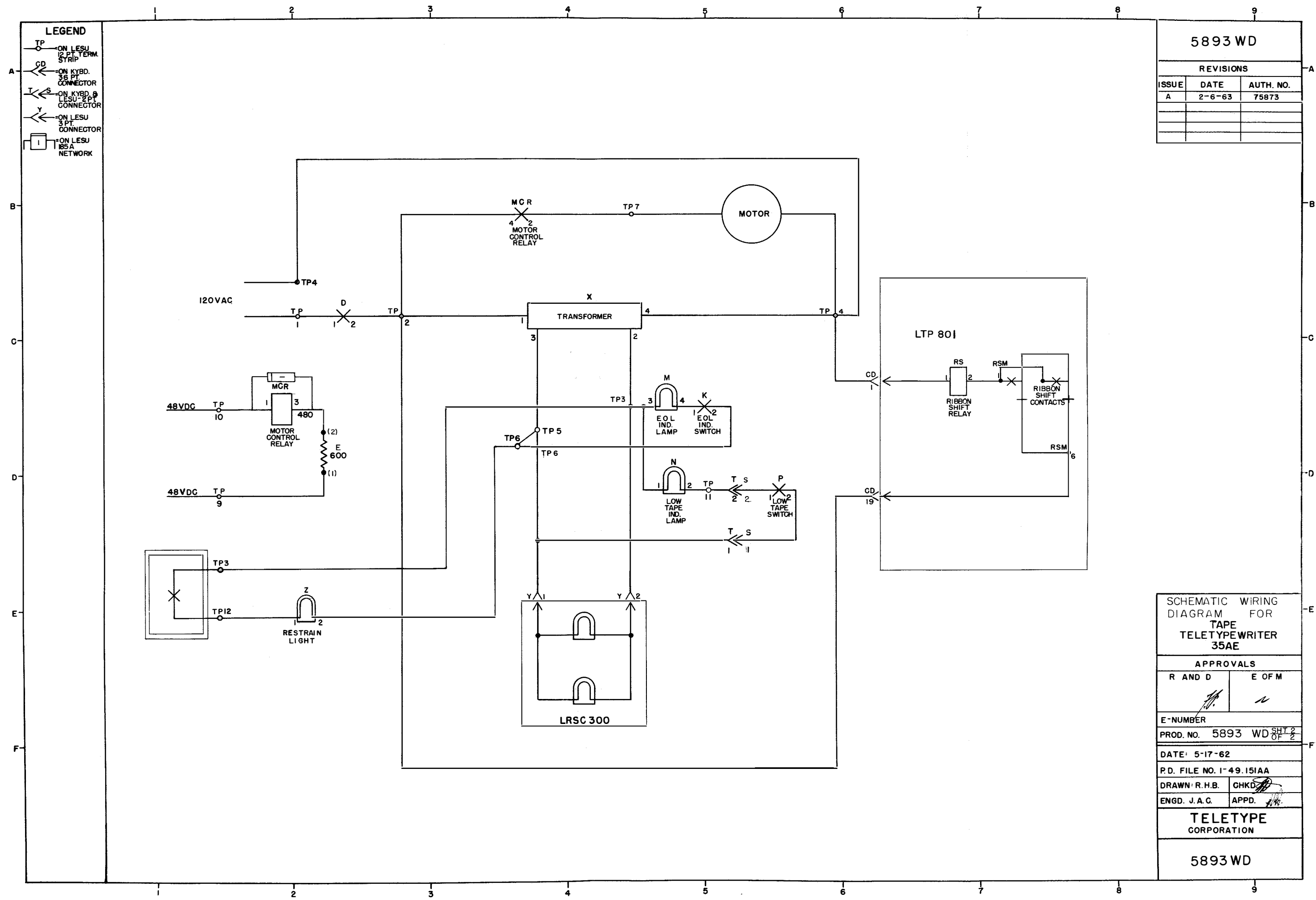
E - NUMBER
 PROD. NO. 5893WD SHI-1 OF-2

DATE: APRIL 9 1962
 P.D. FILE NO. 1-49.151AA

DRAWN G.L.Z.	CHKD <i>[Signature]</i>
ENGD. J.A.C.	APPD. <i>[Signature]</i>

TELETYPE CORPORATION

5893WD



LEGEND

- TP — ON LESU 12 PT. TERM. STRIP
- GD — ON KYBD. 36 PT. CONNECTOR
- T S — ON KYBD. 9 LESU-2 PT. CONNECTOR
- Y — ON LESU 3 PT. CONNECTOR
- I — ON LESU 185A NETWORK

5893 WD

REVISIONS		
ISSUE	DATE	AUTH. NO.
A	2-6-63	75873

SCHMATIC WIRING
DIAGRAM FOR
TAPE
TELETYPEWRITER
35AE

APPROVALS	
R AND D	E OF M
<i>[Signature]</i>	<i>[Signature]</i>

E-NUMBER
PROD. NO. 5893 WD SHT 2 OF 2

DATE: 5-17-62
P.D. FILE NO. 1-49.151AA
DRAWN: R.H.B. CHKD: *[Signature]*
ENGD. J.A.C. APPD. *[Signature]*

**TELETYPE
CORPORATION**

5893 WD