

35 REPERFORATOR TABLE (LT)

PARTS

FIGURE	CONTENTS	PAGE
1	Typing Reperforator Table (LT)	2
2	Pedestal	3
3	Control Plate	4
	Numerical Index	5

PAINT FINISH COLOR CODE CHART		
COLOR	Finish Suffixes	
	Textured Vinyl	Smooth Vinyl
Green Gray Light Gray Olive Gray	GA(45)	HB(68) HF(46)
The double asterisk(**) denotes a painted part. Suffix to be applied following the part number. Number in parentheses indicates Bell System Code.		

TELETYPE TO BELL SYSTEM CODE CROSS REFERENCE CHART		
Unit Description	Teletype Code	Bell System Code
Table	LT300**	35A
	LT302**	35B

The part identification information contained in the following change notices have been incorporated in this issue.	
TCN's	#1169, #1280

Note: When ordering parts from this section prefix each number with the letters TP

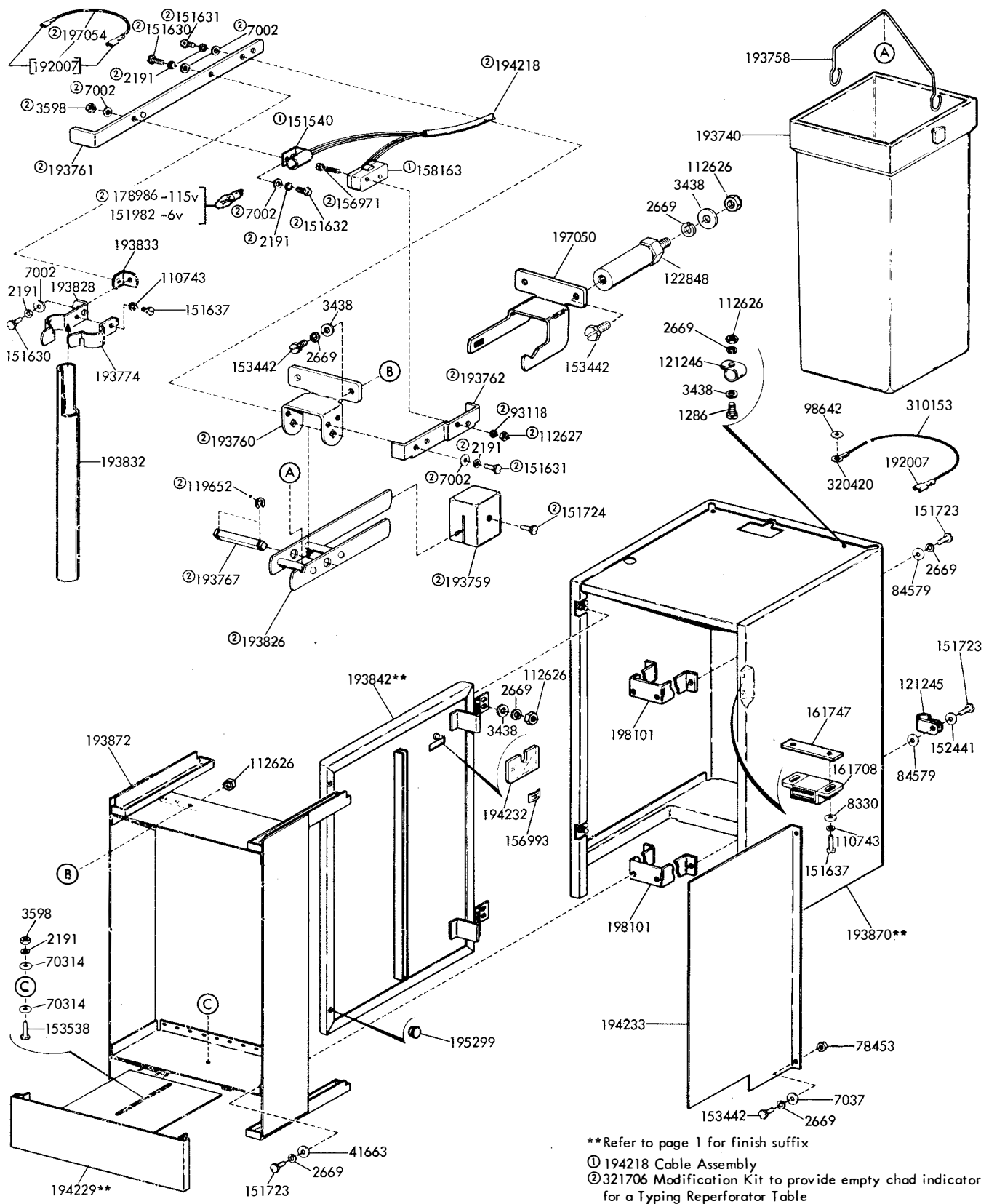
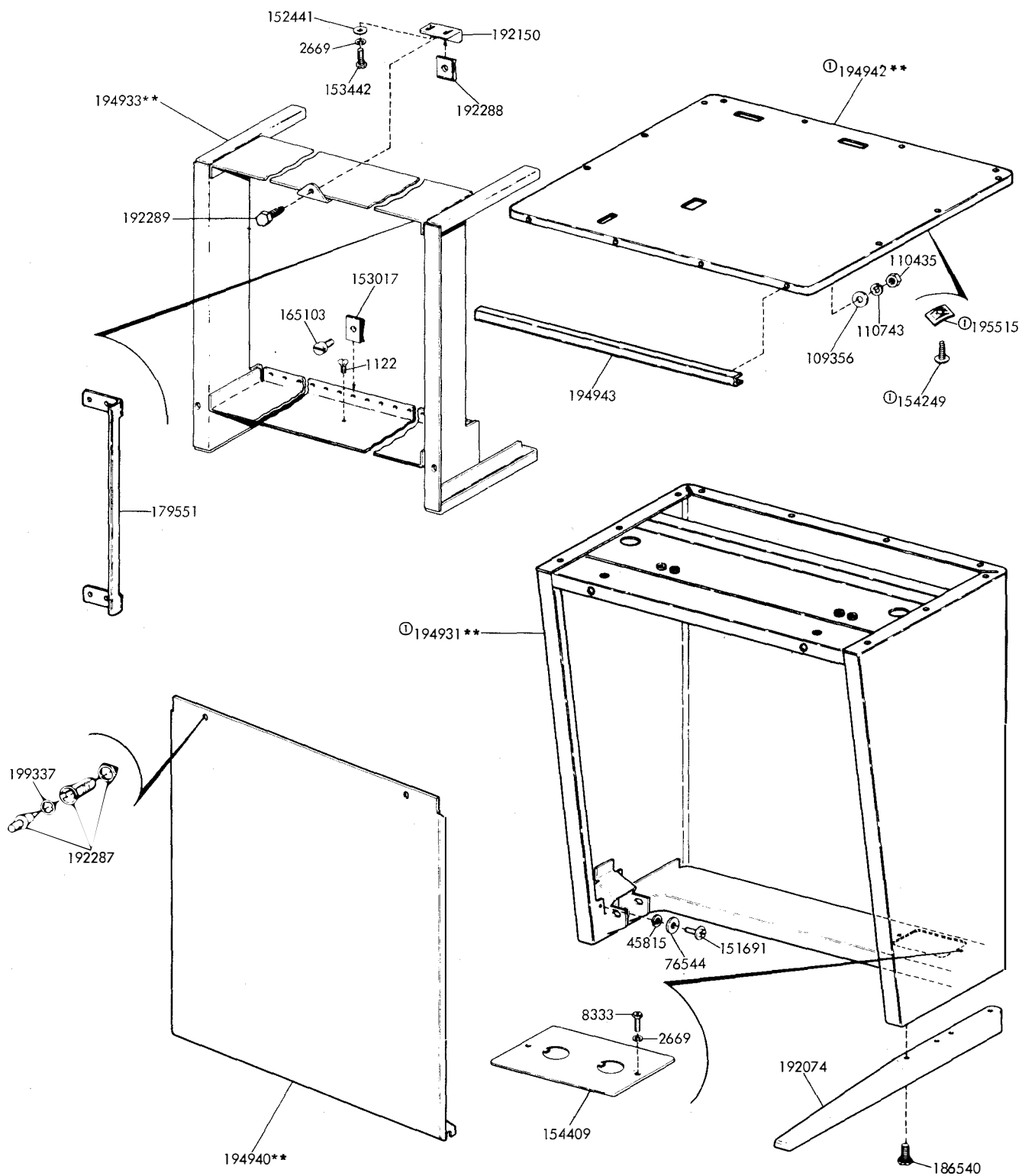


FIGURE 1. REPERFORATOR TABLE (LT)



**Refer to page 1 for finish suffix
 ①194930** Pedestal Assembly

FIGURE 2. PEDESTAL

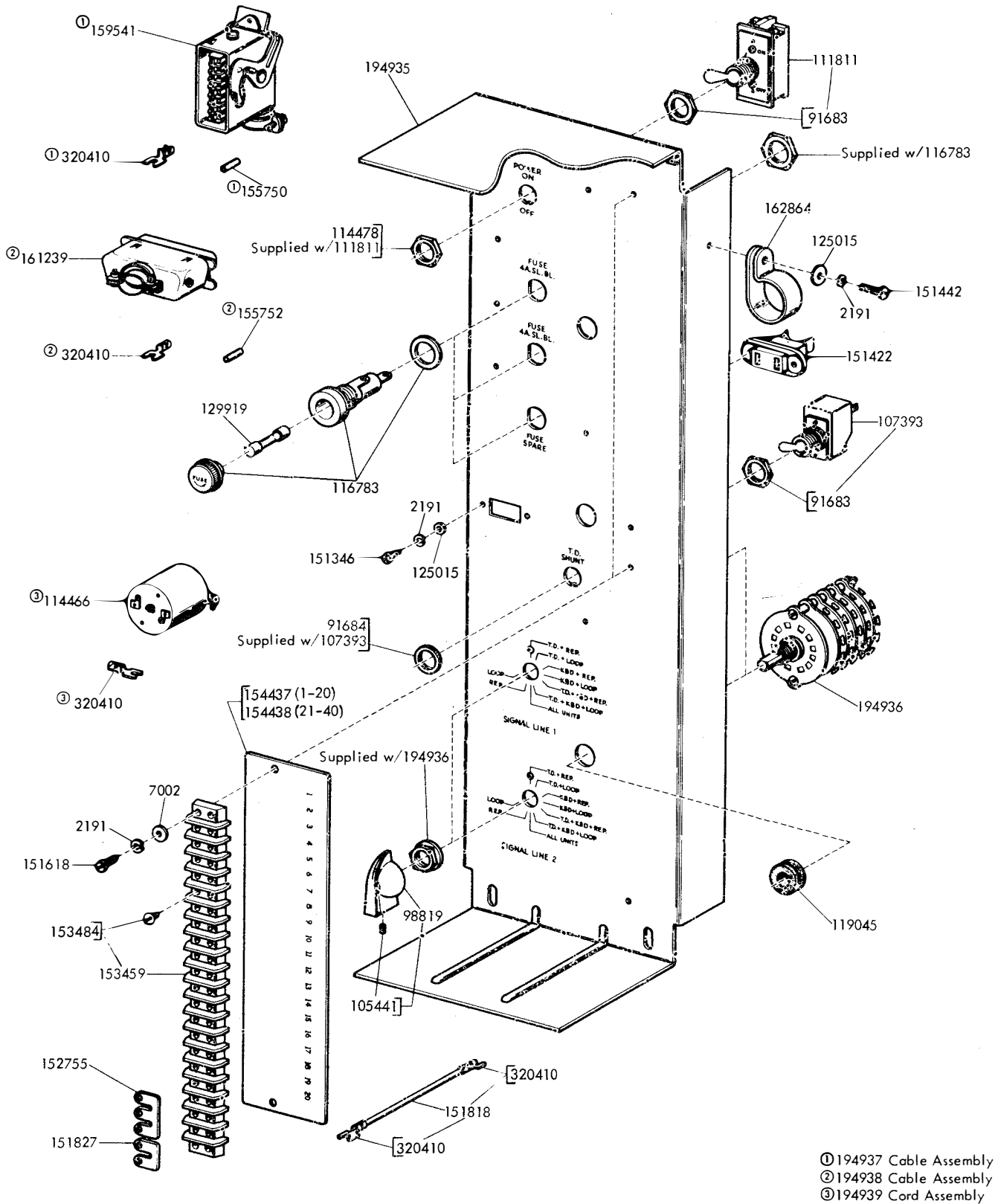


FIGURE 3. CONTROL PLATE

NUMERICAL INDEX

Part Number	Description and Page Number	Part Number	Description and Page Number	Part Number	Description and Page Number
1122	Screw, 8-32 x 9/32 Flat 3	151540	Lampholder 2	192288	Nut, No. 14 Speed 3
1286	Screw, 10-32 x 7/16 Fil 2	151618	Screw, 6-40 x 7/16 Fil 4	192289	Screw, 1/4-14 Self-Tapping 3
2191	Lockwasher 2,4	151630	Screw, 6-40 x 1/4 Hex 2	193740	Box, Chad 2
2669	Lockwasher 2,3	151631	Screw, 6-40 x 5/16 Hex 2	193758	Handle, Chad Box 2
3438	Washer, Flat 2	151632	Screw, 6-40 x 3/8 Hex 2	193759	Counterweight 2
3598	Nut, 6-40 Hex 2	151637	Screw, 4-40 x 1/4 Fil 2	193760	Bracket, Scale Mounting 2
7002	Washer, Flat 2,4	151691	Screw, 10-32 x 3/8 Fil 3	193761	Bracket, Lamp & Chad Chute 2
7037	Washer, Flat 2	151723	Screw, 10-32 x 3/8 Hex 2	193762	Bracket 2
8330	Washer, Flat 2	151724	Screw, 10-32 x 5/8 Hex 2	193767	Pivot 2
8333	Screw, 10-32 x 3/8 Rd 3	151818	Jumper, 4-1/4" Black 4	193774	Clamp, Spring 2
45815	Lockwasher 3	151827	Strap, Terminal 4	193826	Beam 2
41663	Washer, Flat 2	151982	Lamp, Incandescent 6V 2	193828	Clamp, Chad Chute 2
70314	Washer, Flat 2	152441	Washer, Flat 2,3	193832	Extension, Chad Chute 2
76544	Spacer 3	152755	Strap, Terminal 4	193833	Bracket, Clip Mounting 2
78453	Nut, 10-32 Hex 2	153017	Nut, Speed 3	193842**	Door, Table 2
84579	Washer, Flat 2	153442	Screw, 10-32 x 1/2 Hex 2,3	193870**	Table 2
91683	Nut, 15/32-32 Hex 4	153459	Block, Terminal 4	193872	Rack, Panel Mounting 2
91684	Nut, 15/32-32 Ring 4	153484	Screw, 6-32 Spl 4	194218	Cable Assembly 2
93118	Lockwasher 2	153538	Screw, 6-40 x 7/16 Hex 2	194229**	Plate, Front 2
98642	Lockwasher 2	154249	Screw, No. 8B Self-Tapping 3	194232	Indicator, Empty Chad 2
98819	Knob 4	154409	Plate 3	194233	Separator 2
105441	Setscrew, 8-32 4	154437	Insulator, Terminal 4	194930**	Top, Pedestal 3
107393	Switch, SP-ST Toggle 4	154438	Insulator, Terminal 4	194931**	Pedestal w/Nuts 3
109356	Washer, Flat 3	155750	Sleeve, 3/32 ID x 1/2" Lg Insulating 4	194933**	Rack 3
110435	Nut, 4-40 Hex 3	155752	Sleeve, 5/64 ID x 1/2" Lg Insulating 4	194935	Plate, Control 4
110743	Lockwasher 2,3	156971	Screw, 2-56 x 3/4 Fil 2	194936	Switch, Rotary 4
111811	Switch, DP-ST Toggle 4	156993	Nut, Speed 2	194937	Cable Assembly 4
112626	Nut, 10-32 Hex 2	158163	Switch, Sensitive 2	194938	Cable Assembly 4
112627	Nut, 2-56 Hex 2	159541	Connector, 16 Pt Plug 4	194939	Cord Assembly 4
114466	Connector, 3 Pt Receptacle 4	159541	Connector, 16 Pt Plug 4	194940**	Panel 3
114478	Nut, 15/32-32 Hex 4	161239	Connector, 36 Pt Plug 4	194942**	Pedestal, Top 3
116783	Holder, Fuse 4	161708	Latch, Magnetic 2	194943	Strip, Wear 3
119045	Grommet, Rubber 4	161747	Plate, Nut 2	195299	Bumper, Rubber 2
119652	Ring, Retaining 2	162864	Clamp, 7/8 ID Cable 4	195515	Nut, Speed 3
121245	Clamp, 5/16 ID Cable 2	165103	Screw, 12-24 x 5/8 Rd 3	197050	Bracket, Mounting 2
121246	Clamp, 3/8 ID Cable 2	178986	Lamp, Incandescent 115V 2	197054	Jumper, 3" Black 2
122848	Stud 2	179551	Bracket, Mounting 3	198101	Bracket, Rack Mounting 2
125015	Washer, Flat 4	186540	Screw, 1/4-20 Spl 3	199337	Retainer 3
129919	Fuse, SL-BL 4 Amp 4	192007	Terminal, Tab Type 2	310153	Jumper, 15" Green 2
151346	Screw, 6-40 x 3/8 Fil 4	192074	Foot w/Nut 3	320410	Terminal, Spade Type 4
151422	Connector, 2 Pt Receptacle 4	192150	Bracket 3	320420	Terminal, Ring Type 2
151442	Screw, 6-40 x 1/2 Hex 4	192287	Fastener, Pushbutton 3	321706	Modification Kit 2

**Refer to page 1 for finish suffix

