

35 ANSWER-BACK ASSEMBLY  
ACTUAL AND SCHEMATIC WIRING DIAGRAMS

CONTENTS	PAGE
1. GENERAL .....	1
2. DIAGRAM INDEX (ATTACHMENTS) ..	1

1. GENERAL

1.01 This section provides the actual and schematic wiring diagrams for 35 answer-back assemblies. It is reissued to include the most current information for the TP192002 answer-back assembly, and to add two new wiring diagrams. Since this is a general revision, marginal arrows have been omitted.

1.02 These diagrams show the origin and termination of the various leads as well as the color coding of the leads for each of the components.

1.03 Notes are included on the wiring diagrams to explain the symbols used or to point out certain special conditions that should be observed.

1.04 Additional schematic wiring diagram information for the answer-back assembly circuits can be found in the appropriate section covering the set with which the answer-back assembly is used.

2. DIAGRAM INDEX (ATTACHMENTS)

TITLE	SHEET NO.	DIAGRAM NUMBER	WD ISSUE
192002 Answer-Back Assembly	CTRL 1 2	4726WD	2 7 7
LABD800 Answer-Back Assembly	1	6378WD	4
198401 Answer-Back Assembly	1	6472WD	6

4726 WD

ISSUE CONTROL RECORD

NO.

NOTES

SUPPORTING INFORMATION

CONTENTS

SHEET NO.

ISSUE

REVISIONS APPLYING TO THIS CONTROL RECORD

ISSUE	DATE	AUTH. NO.
1	6-29-67	94201
2	7-11-67	94311

CATEGORY

NO.

1

2

3

4

5

6

7

8

9

10

11

12

13

14

15

16

17

18

19

X

X

X

X

X

X

2

X

X

X

X

X

X

ISSUE CONTROL SHEET 1 OF 1

ACTUAL & SCHEMATIC WIRING DIAGRAM FOR 192002 ANSWER BACK ASSEMBLY (8 LEVEL)

WD NUMBER	4726WD
DRAWN JMO	CHKD. BGG
ENGD. GW	APPD. NJK

TELETYPE CORPORATION

4726 WD

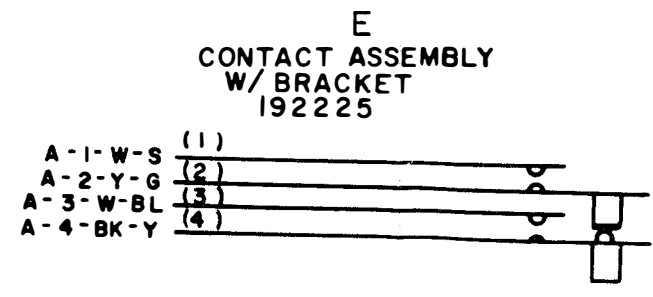
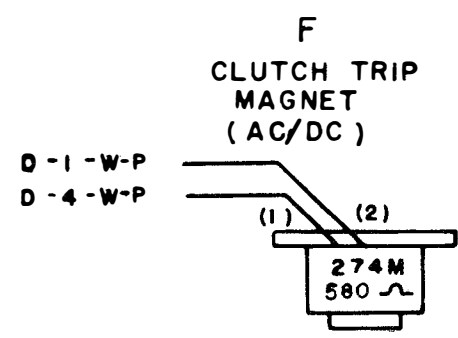
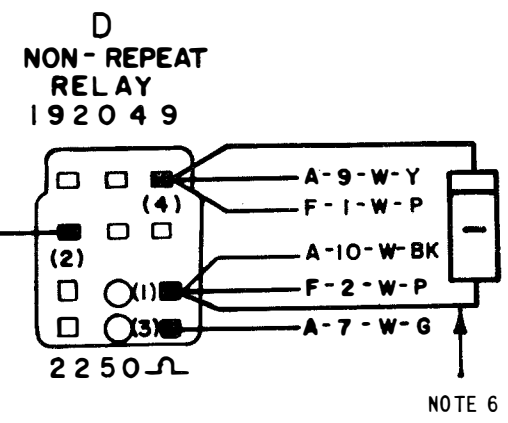
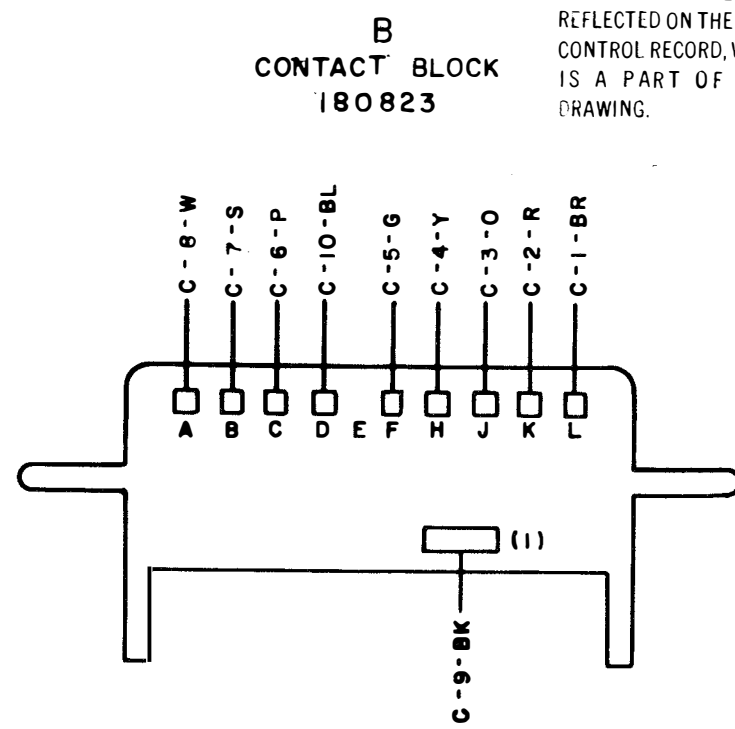
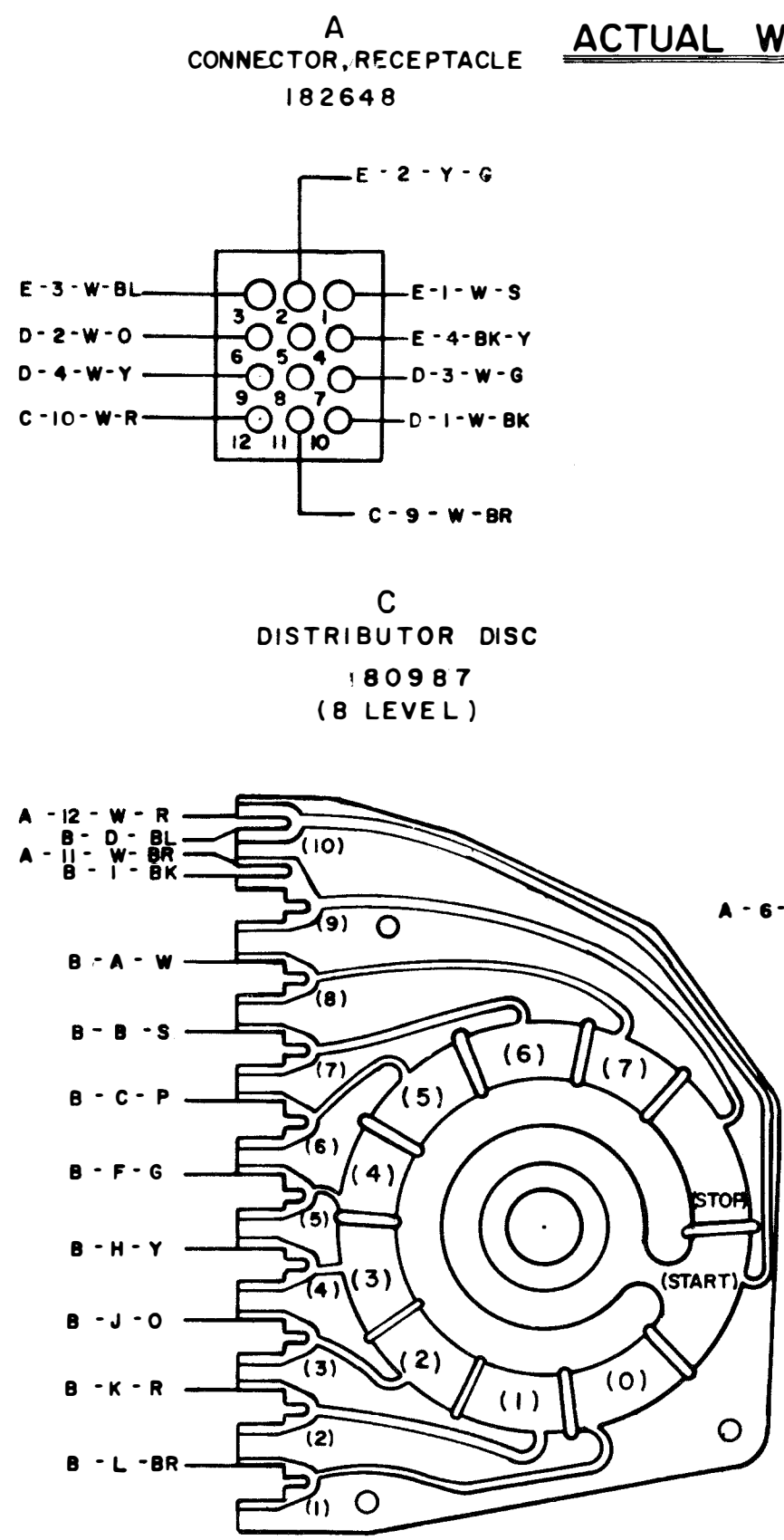
NOTE: REVISION INFORMATION MUST ALSO BE REFLECTED ON THE ISSUE CONTROL RECORD, WHICH IS A PART OF THIS DRAWING.

REVISIONS		
ISSUE	DATE	AUTH. NO.
2	8-9-62	74183
3	8-20-62	74246
4	3-14-63	74246-1
5	9-3-64	81563
E	6-29-67	9420
7	7-11-67	94311

**ACTUAL WIRING DIAGRAM**

- NOTES**
- WIRING LEGEND:**
  - COLOR CODE:**  

W-WHITE	S-SLATE
P-PURPLE	BL-BLUE
G-GREEN	Y-YELLOW
O-ORANGE	R-RED
BR-BROWN	BK-BLACK
  - CONNECTORS VIEWED FROM CRIMP ENDS.
  - ASSOCIATED CABLE 192051.
  - FOR NON-REPEAT OPERATION:  
CONNECT A4 TO A6, A3 TO A7, AND APPLY CONTROL POWER TO A7 AND A10.  
  
FOR PULSED OPERATION:  
OMIT CONNECTIONS FROM A4 TO A6 AND A3 TO A7. APPLY CONTROL PULSE TO A9 AND A10.
  - 153631 FILTER NETWORK (NOT INCLUDED ON SOME UNITS)  
  
0.11 MFD 470Ω



SEE ISSUE CONTROL RECORD FOR COMPLETE LIST OF SHEETS COMPRISING THIS W.D. SHEET 1

**ACTUAL & SCHEMATIC WIRING DIAGRAM FOR 192002 AND 324483 ANSWER BACK ASSEM. (8 LEVEL)**

APPROVALS	
D AND R	E OF M
E-NUMBER	
PROD. NO. 4726WD	
DATE:	
P.D FILE NO.	
DRAWN L J F	CHKD. H G G
ENGD. G W	APPD. N J K
<b>TELETYPE CORPORATION</b>	

# SCHEMATIC WIRING DIAGRAM

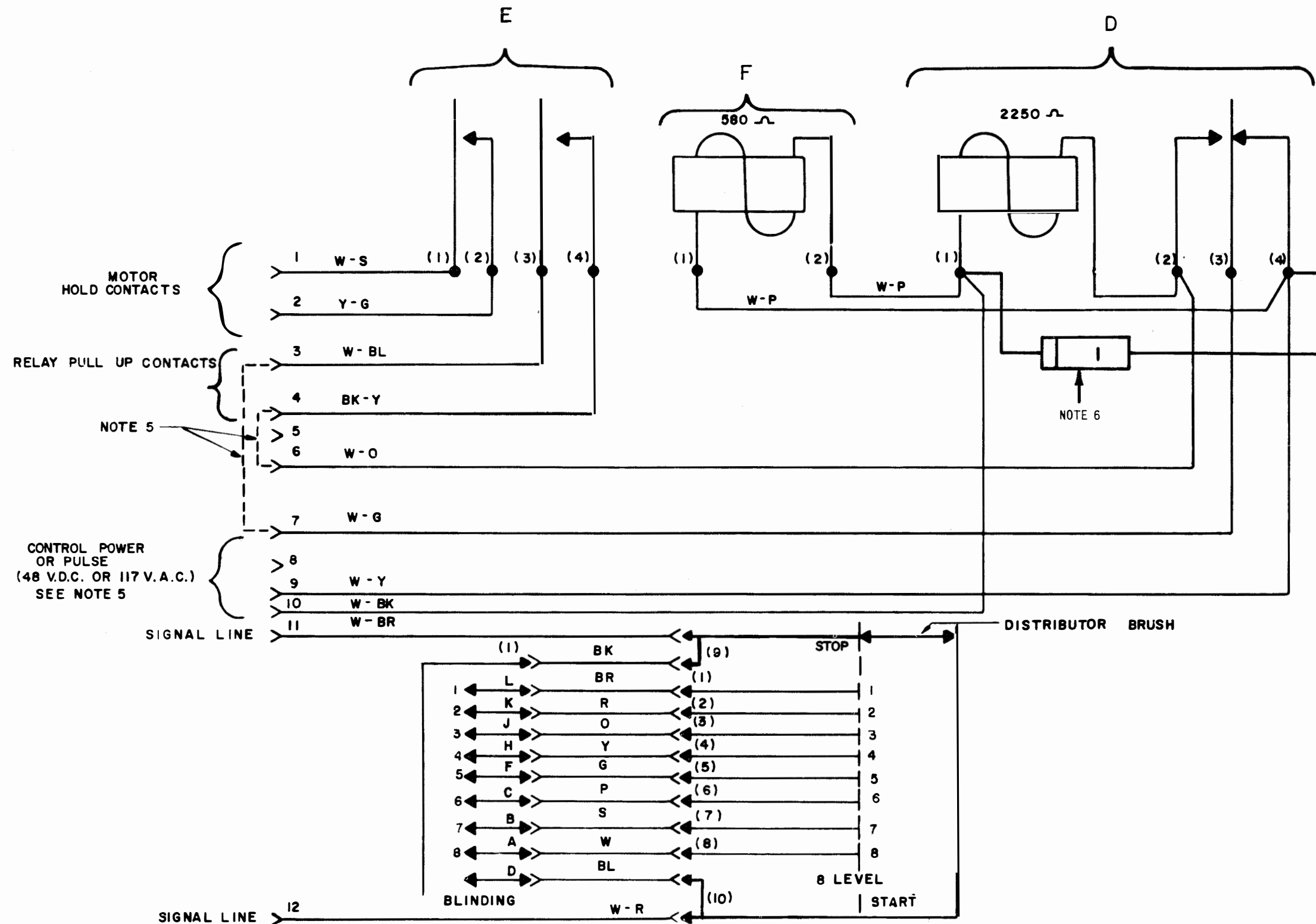
SEE SHEET 1 FOR NOTES

NOTE: REVISION INFORMATION MUST ALSO BE REFLECTED ON THE ISSUE CONTROL RECORD, WHICH IS A PART OF THIS DRAWING.

4726 WD

### REVISIONS

ISSUE	DATE	AUTH. NO.
2	8-9-62	74183
3	8-20-62	74246
4	3-14-63	74246-1
5	9-3-64	81563
6	6-29-67	94201
7	7-11-67	94311



SEE ISSUE CONTROL RECORD FOR COMPLETE LIST OF SHEETS COMPRISING THIS W.D. SHEET 2

ACTUAL & SCHEMATIC  
WIRING DIAGRAM  
FOR  
192002 AND  
324483  
ANSWER BACK ASSEM.  
(8 LEVEL)

### APPROVALS

D AND R      E OF M

E-NUMBER

PROD. NO. 4726WD

DATE:

P.D. FILE NO.

DRAWN L.J.F.      CHKD. B.G.G.

ENGD. G.W.      APPD. A.J.B.

**TELETYPE CORPORATION**

7

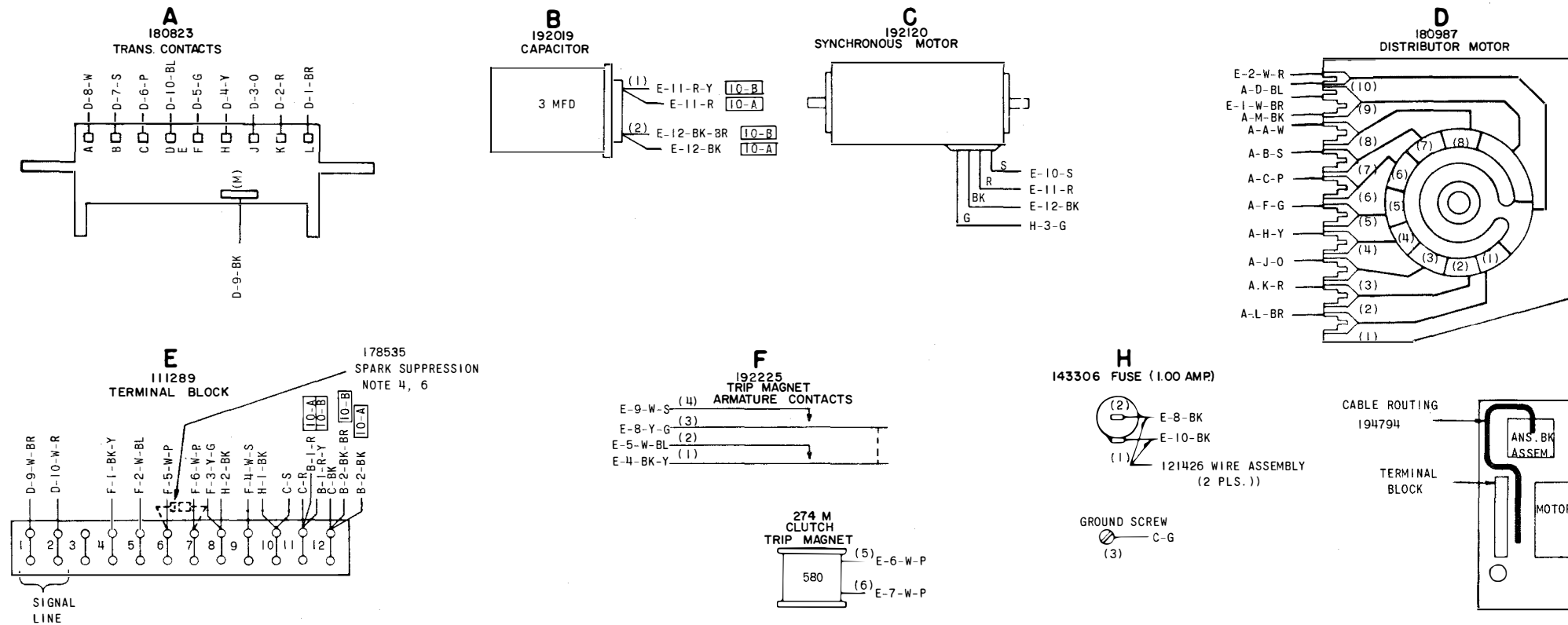
4726 WD

6378WD

REVISIONS

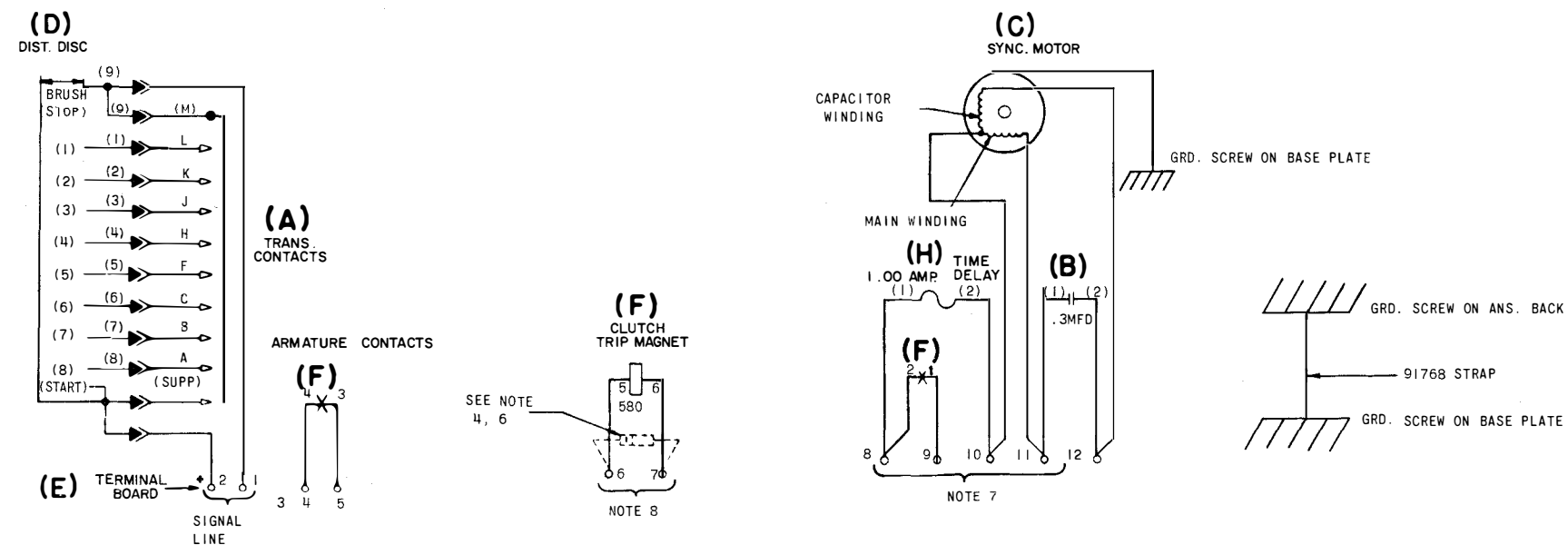
ISSUE	DATE	AUTH. NO.
2	9-15-65	85523-i
3	11-2-65	88829
4	6-14-66	89762

ACTUAL WIRING DIAGRAM



- NOTES
- COLOR CODE:  
BK - BLACK      G - GREEN  
BL - BLUE        O - ORANGE  
BR - BROWN      W - WHITE  
R - RED           S - SLATE  
P - PURPLE       Y - YELLOW
  - WIRING LEGEND:  
DISTANT TERMINATING AREA  
DISTANT TERMINATING DESIGNATION  
WIRE COLOR CODE  
A-E-BK    00-A    SEE NOTE 9
  - ASSOC. CABLE ASSEMBLY - 194794
  - USE 185A SPARK SUPPRESSOR ACROSS CLUTCH TRIP MAGNET WITH DC ONLY. CONNECT TO TERMINALS 6 AND 7.
  - TERMINAL DESIGNATIONS ENCLOSED IN PARENTHESIS ARE NOT MARKED ON COMPONENTS.
  - VALUE OF NETWORK NO. 1: 470 OHMS, 0.11 - 0.15MFD.
  - APPLY GROUNDED SIDE OF 117V AC TO TERMINAL NO. 11. APPLY UNGROUNDED SIDE TO TERMINAL NO. 9. APPLY SWITCHED MOTOR POWER FROM UNGROUNDED SIDE TO TERMINAL NO. 8.
  - APPLY TRIP MAGNET (117V AC OR 48V DC) POWER TO TERMINALS NO.6 AND 7. WHEN EXTERNAL UNPOWERED CONTACTS ARE TO BE USED IN CONJUNCTION WITH SET AC, CONNECT CONTACTS ACROSS TERMINALS 7 AND 10 AND STRAP TERMINALS 6 AND 11.
  - WIRING STATUS:  
RECTANGULAR BOX INDICATES HISTORY OF WIRING CHANGES  
00-B    B - DENOTES WIRING BEFORE THE CHANGE DESCRIBED BY THE DESIGNATED NOTE ENTERED THE PRODUCT.  
NOTE NUMBER  
00-A    A - DENOTES WIRING AFTER THE CHANGE DESCRIBED BY THE DESIGNATED NOTE ENTERED THE PRODUCT.
  - WIRE CHANGED FROM 24 GA. TO 18 GA. AND A SUBSEQUENT COLOR CHANGE.  
R-Y TO R  
BK BR TO BK

SCHEMATIC WIRING DIAGRAM



ACTUAL AND SCHEMATIC WIRING DIAGRAM FOR LABD800 ANSWER BACK SELF CONTAINED

APPROVALS

D AND R	E OF M
---------	--------

E-NUMBER

PROD. NO. 6378WD

DATE 4-23-63

P.D. FILE NO. 1-A151.78A

DRAWN J.D.B.    CHKD.

ENGD. R.E.P.    APPD.

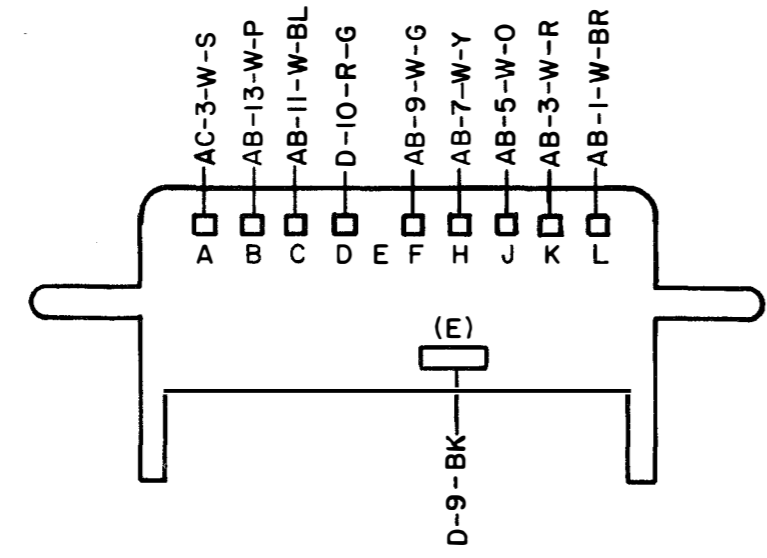
TELETYPE CORPORATION

6378 WD

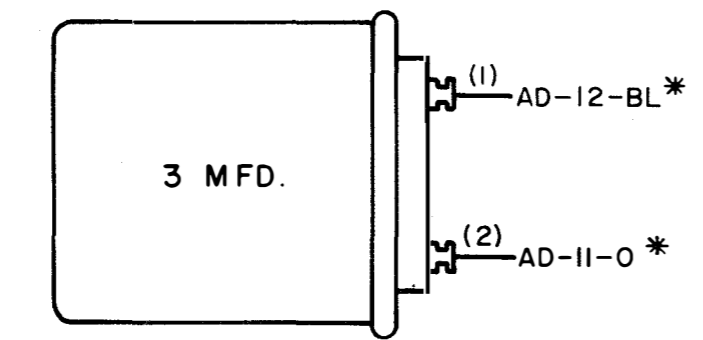
- NO NOTES
- COLOR CODE:  

O	ORANGE	R-Y	RED-YELLOW
BL	BLUE	W-BL	WHITE-BLUE
Y	YELLOW	Y-G	YELLOW-GREEN
BK	BLACK	BK-Y	BLACK-YELLOW
P	PURPLE	W-P	WHITE-PURPLE
G	GREEN	BK-BR	BLACK-BROWN
R	RED	W-R	WHITE-RED
S	SLATE	W-S	WHITE-SLATE
BR	BROWN	W-BR	WHITE-BROWN
W	WHITE		
  - WIRING LEGEND:
  - ASSOCIATED CABLE ASSEMBLY 198402.
  - TERMINAL DESIGNATIONS ENCLOSED IN PARENTHESIS ARE NOT MARKED ON COMPONENTS.
  - \* ASTERISK INDICATES 18 GA. WIRE. ALL OTHER WIRE 24 GA.

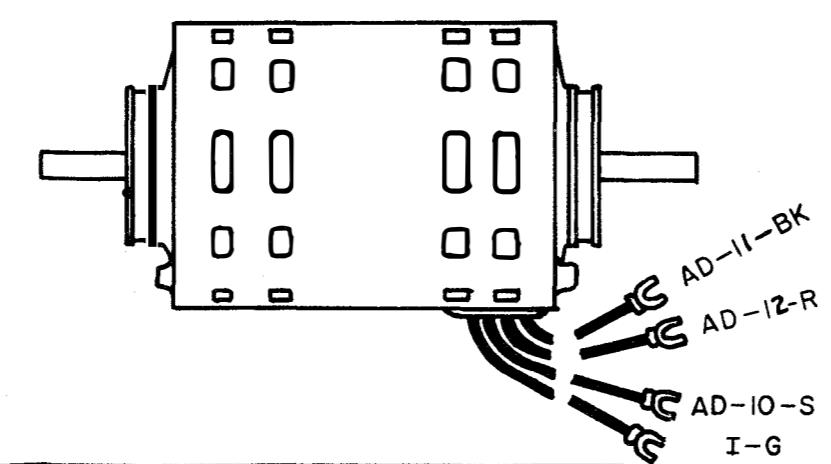
**A**  
CONTACT BLOCK



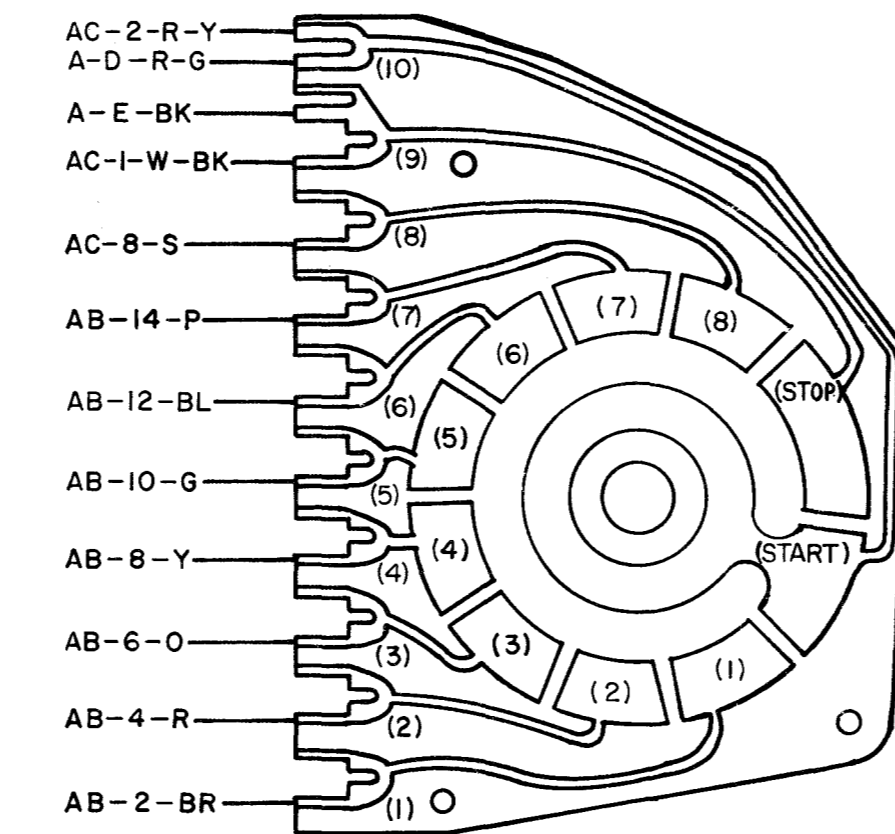
**B**  
192019 CAPACITOR



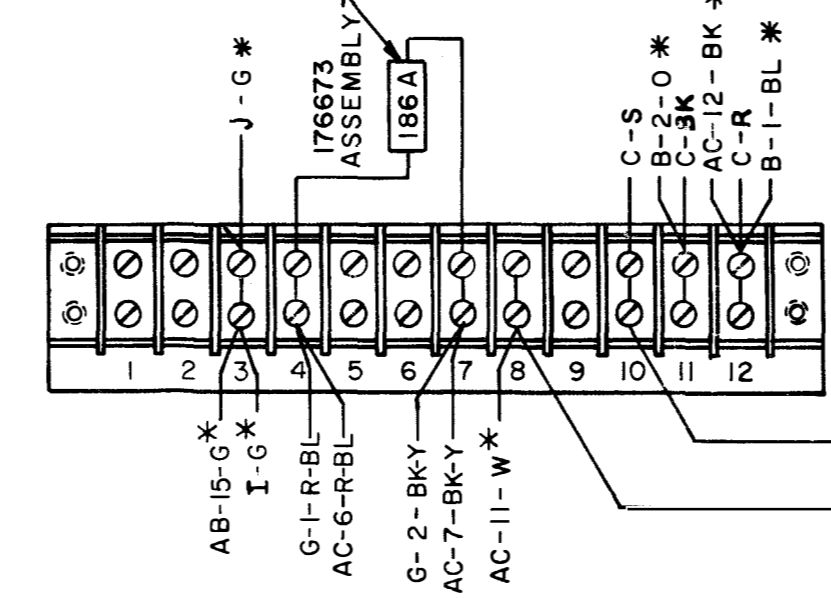
**C**  
192120 MOTOR



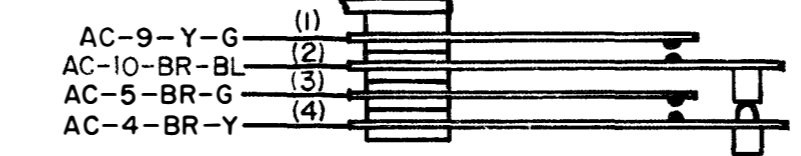
**D**  
180987 DISTRIBUTOR DISC



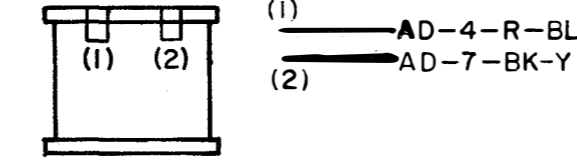
**AD**  
111289 TERMINAL BLOCK



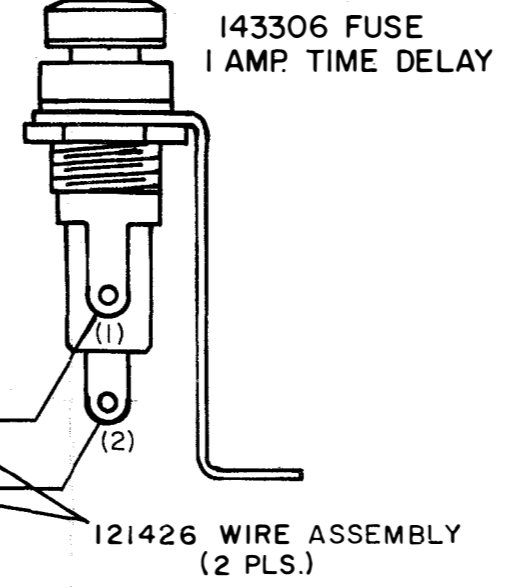
**F**  
192225 CONTACT ASSY.



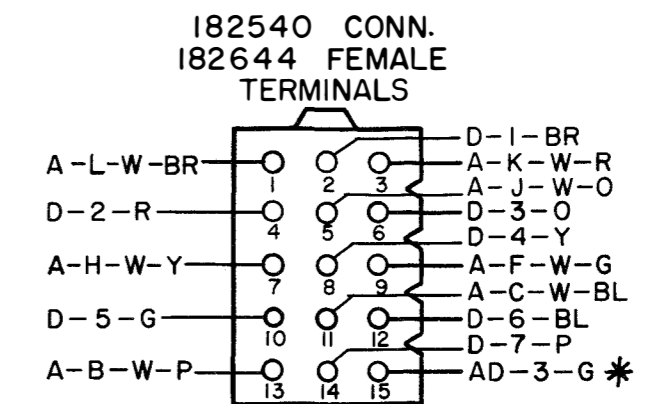
**G**  
274 M MAGNET



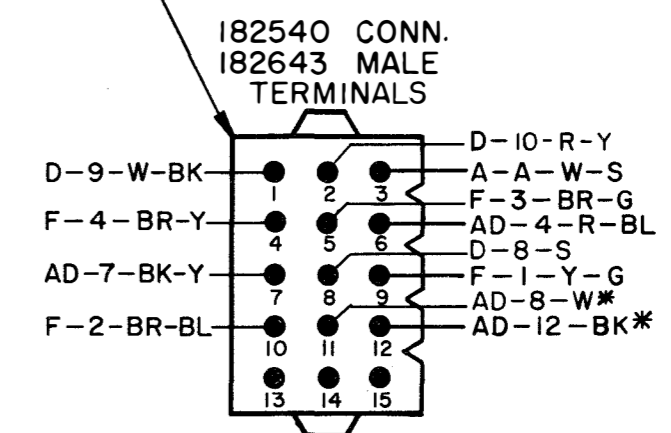
**H**  
116783 FUSE HOLDER



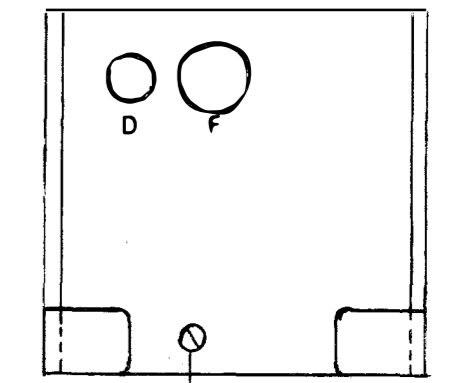
**AB**



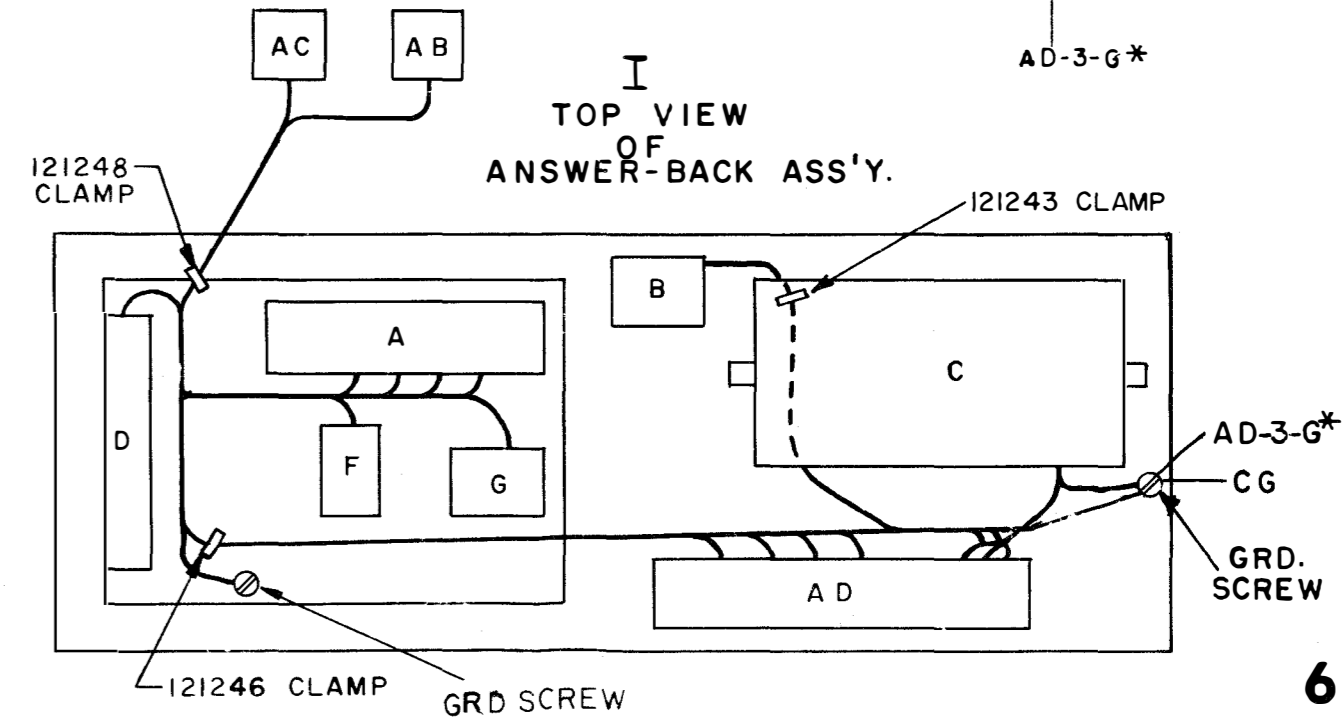
**AC**



**J**  
192020 MOUNTING BRACKET



**I**  
TOP VIEW OF ANSWER-BACK ASS'Y.



6472 WD		
REVISIONS		
ISSUE	DATE	AUTH. NO.
2	1-21-65	85512
3	1-2-65	88829
4	1-1-66	89735
5	2-7-67	92744
6	6-29-67	94201

SCHEMATIC 6471WD-BI-B6

ACTUAL WIRING DIAGRAM 198401 ANSWER-BACK ASSEMBLY (SELF-CONTAINED)

APPROVALS	
D AND R	E OF M
E-NUMBER	
PROD. NO.	6472 WD
DATE:	6-7-63
RD. FILE NO.	43-A25AA
DRAWN, RGK	CHKD.
ENG. PHB	APPD.
TELETYPE CORPORATION	
6472 WD	