

PAGE RECORDER (DAR) AND PAPER TRANSPORT (DAT)
FOR
"DATASPEED®" PRINTER (RECEIVE-ONLY)
PARTS

FIGURE	CONTENTS	PAGE
1	Paper Tensioner and Line Feed Motors	2
2	Power Supply and 331020 High Voltage Cover Assembly	3
3	Circuit Card Connectors and Components	4
4	Tie Bar and Pre-Paper Puller Mechanism	5
5	Line Feed Mechanism	6
6	Paper Guide Mechanism	7
7	Magnet Pawl Mechanism	8
8	Paper Tensioner Mechanism	9
9	Idler Roller Mechanism	10
10	Platen	11
11	Recorder Tank and Connectors	12
12	Recorder Manifold and Components	13
13	330009 Recorder Ink Pump Assembly	14
	Numerical Index	15

Notes:

- For Maintenance Tools, refer to Section 570-005-800.
- When ordering parts from this section prefix each number with the letters TP.
- This section was formerly designated 592-820-800, but this number is now cancelled. Since this issue of Section 578-500-800 is a revision of Section 592-500-800, Issue 2, it is designated Issue 3,

The part identification information contained in the following change notices have been incorporated in this issue.

TCN's #1311, #1325, #1388 and #1389

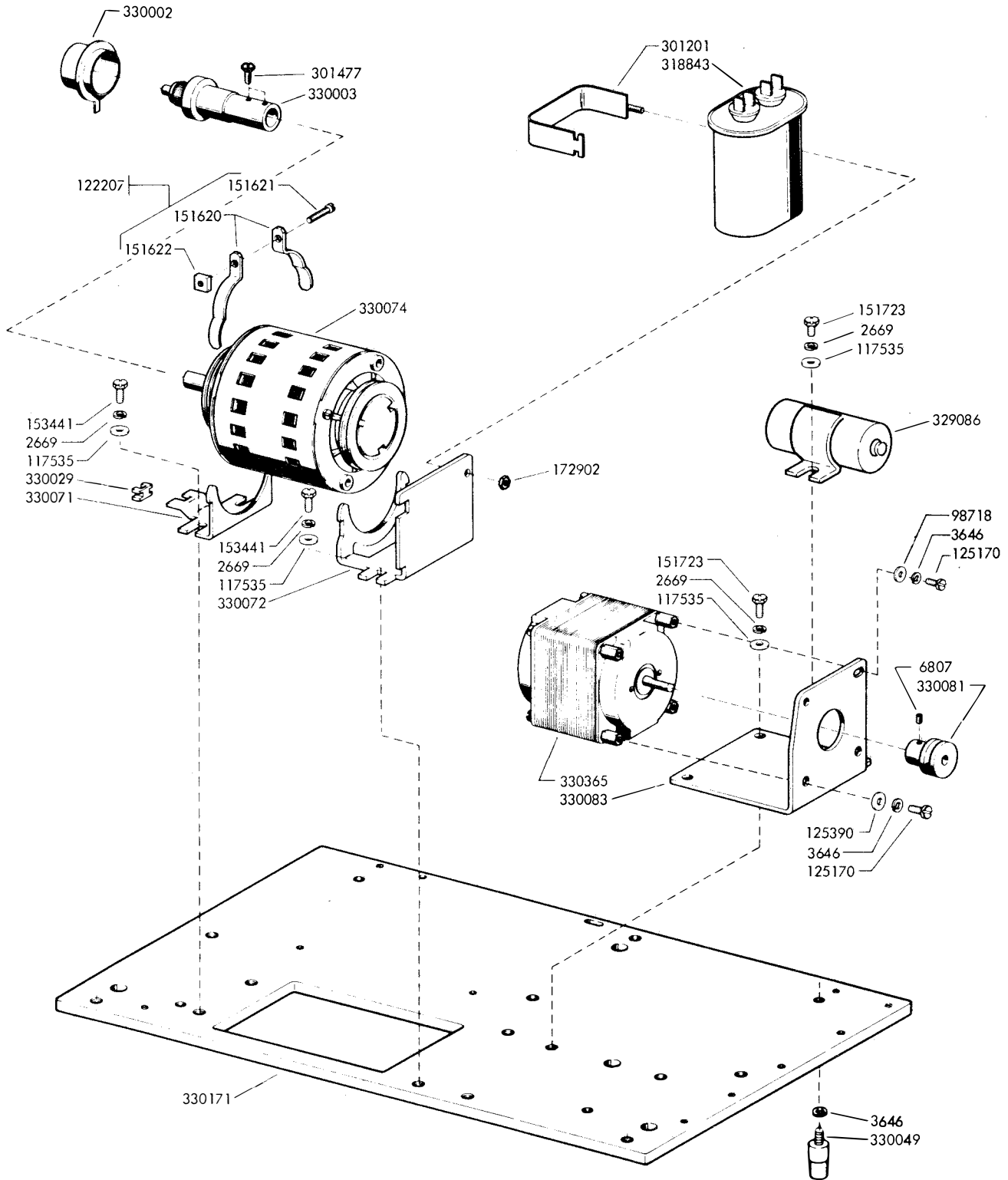


FIGURE 1. PAPER TENSIONER AND LINE FEED MOTORS

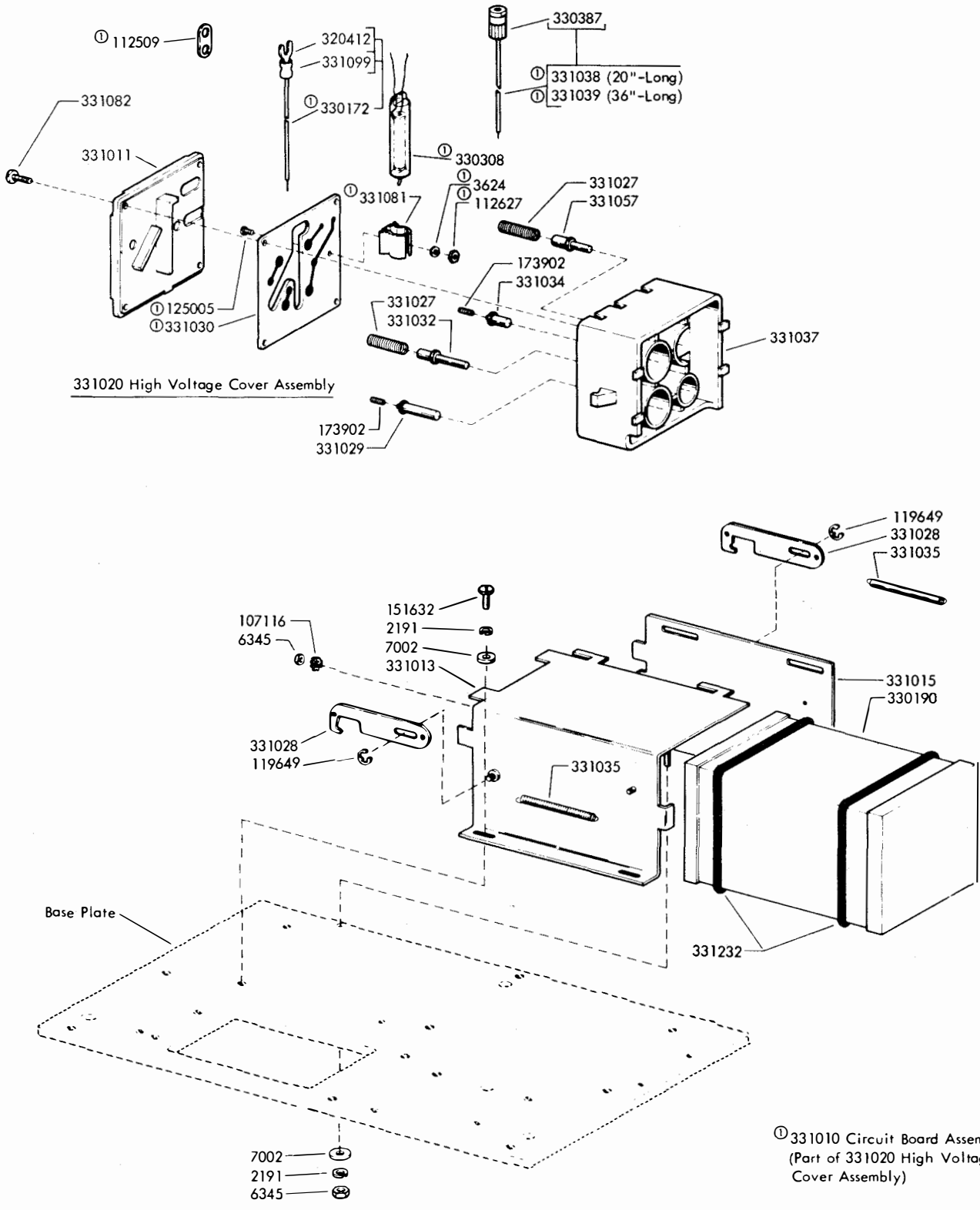


FIGURE 2. POWER SUPPLY AND 331020 HIGH VOLTAGE COVER ASSEMBLY

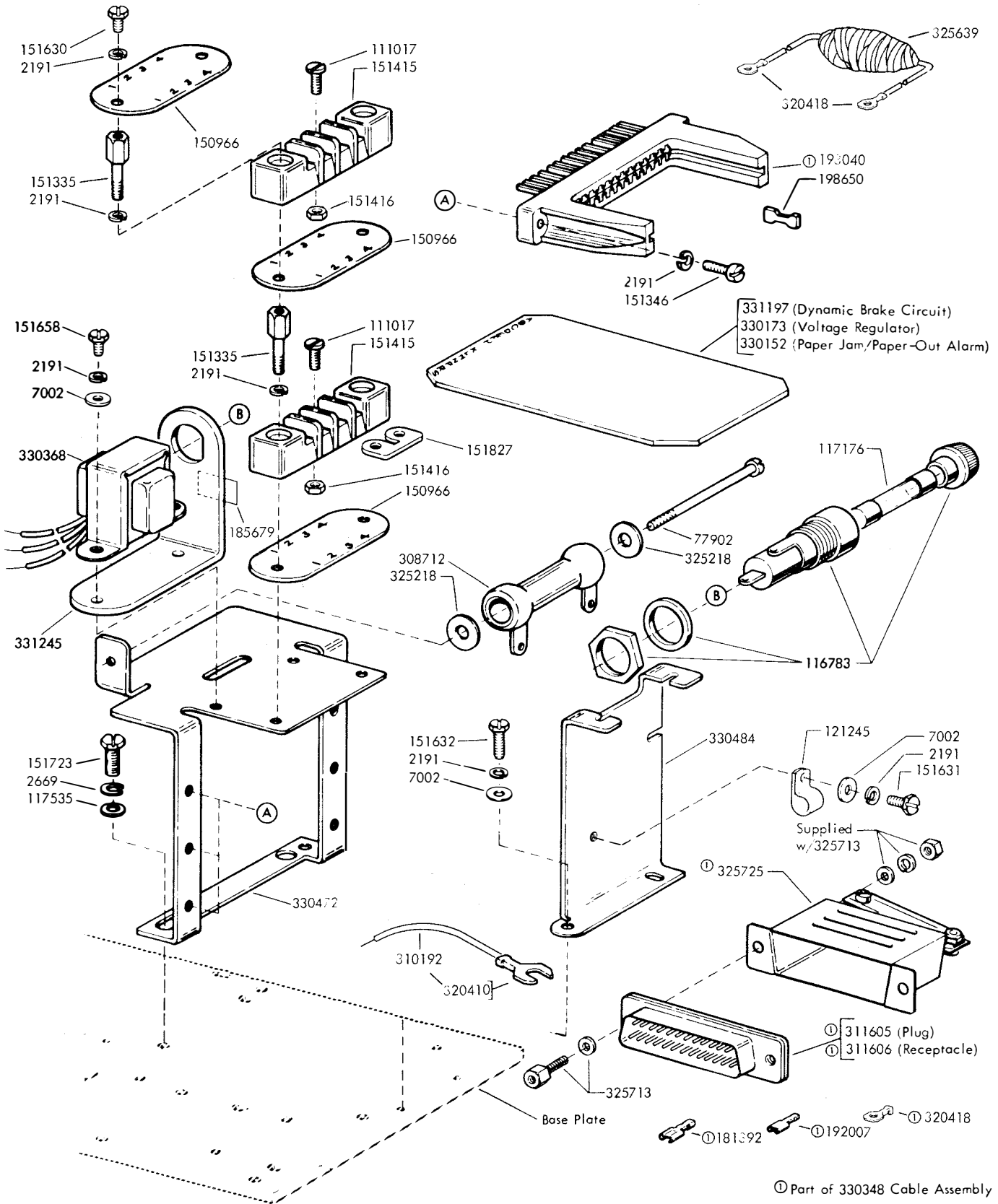


FIGURE 3. CIRCUIT CARD CONNECTORS AND COMPONENTS

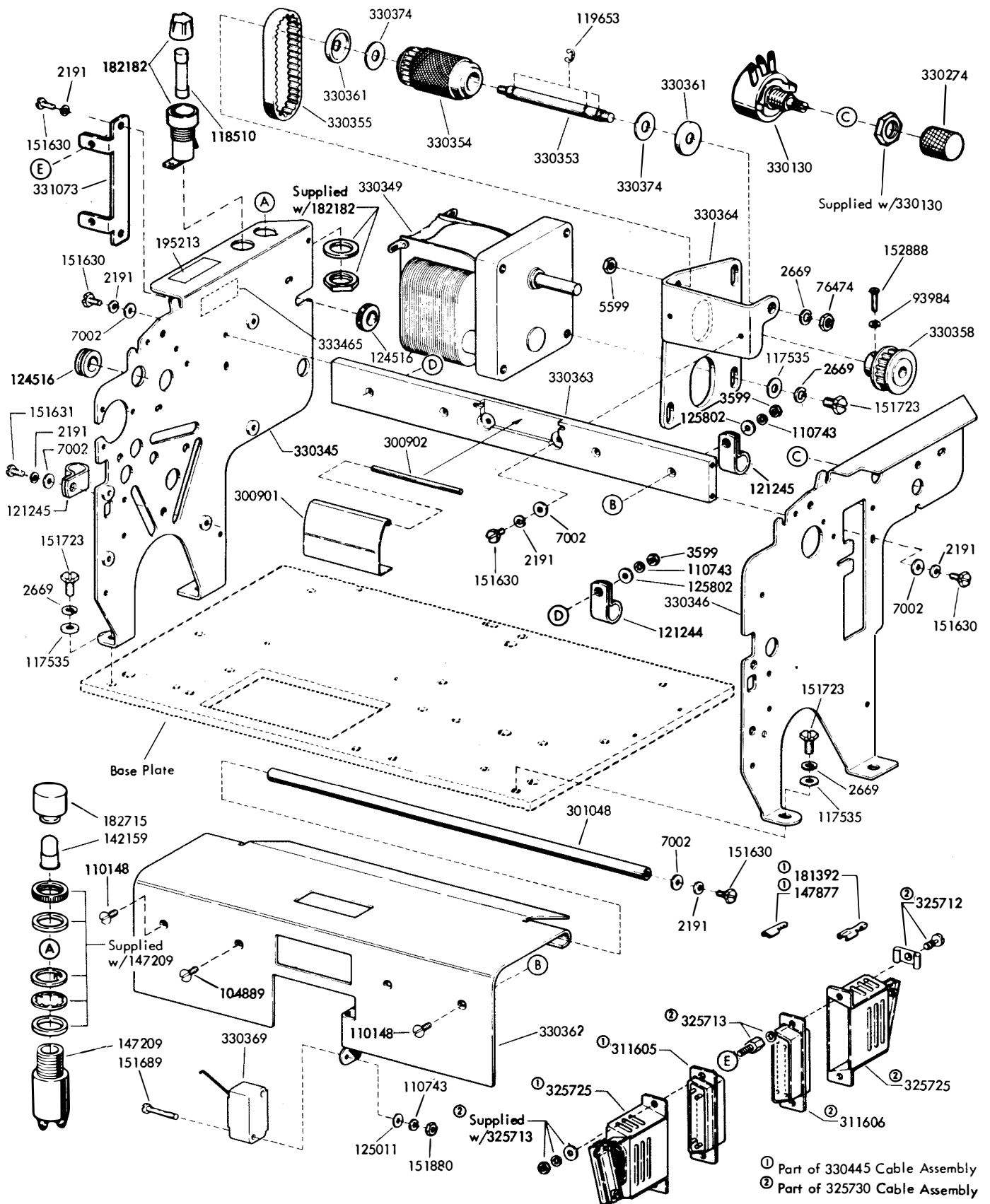


FIGURE 4. TIE BAR AND PRE-PAPER PULLER MECHANISM

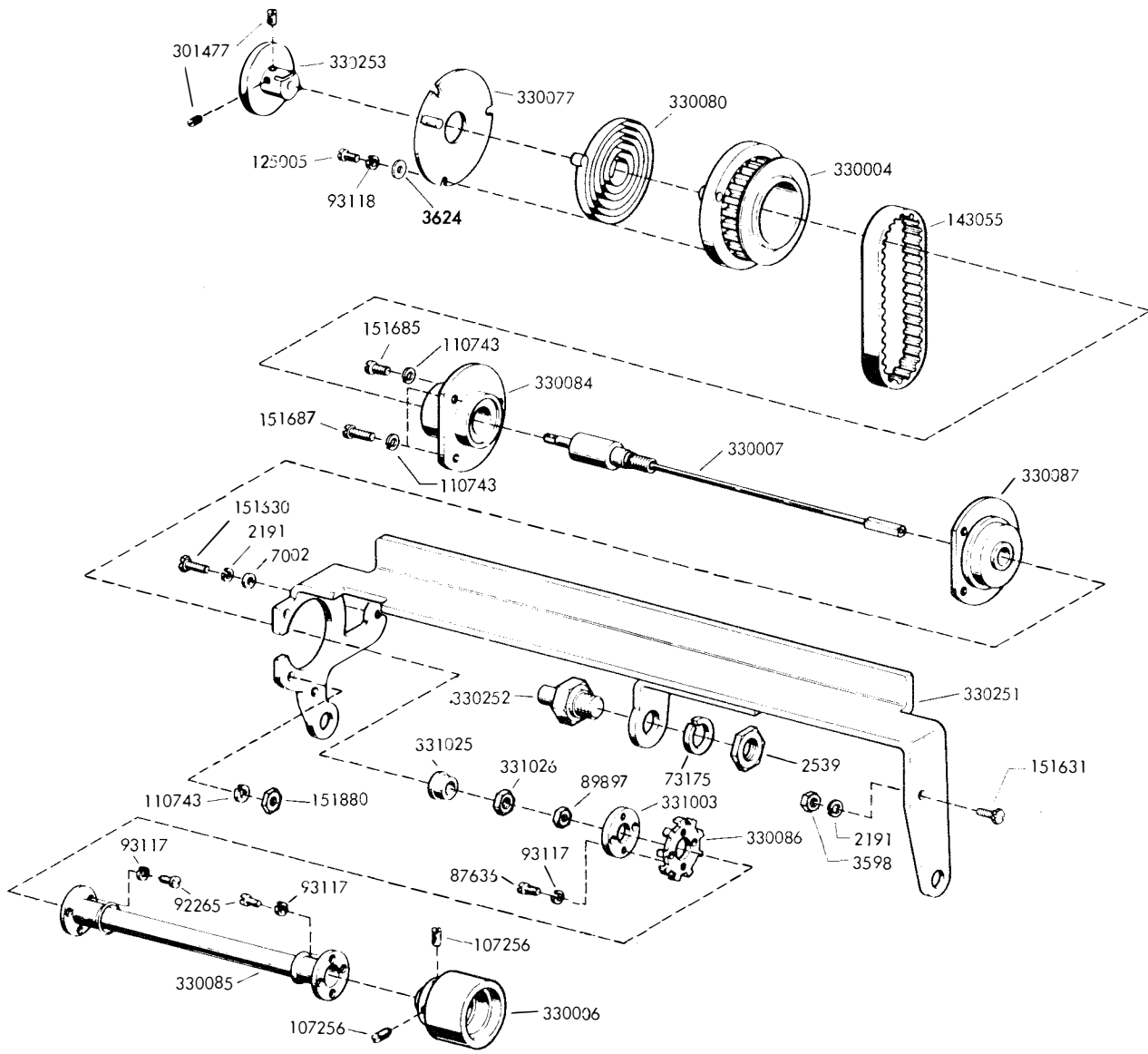


FIGURE 5. LINE FEED MECHANISM

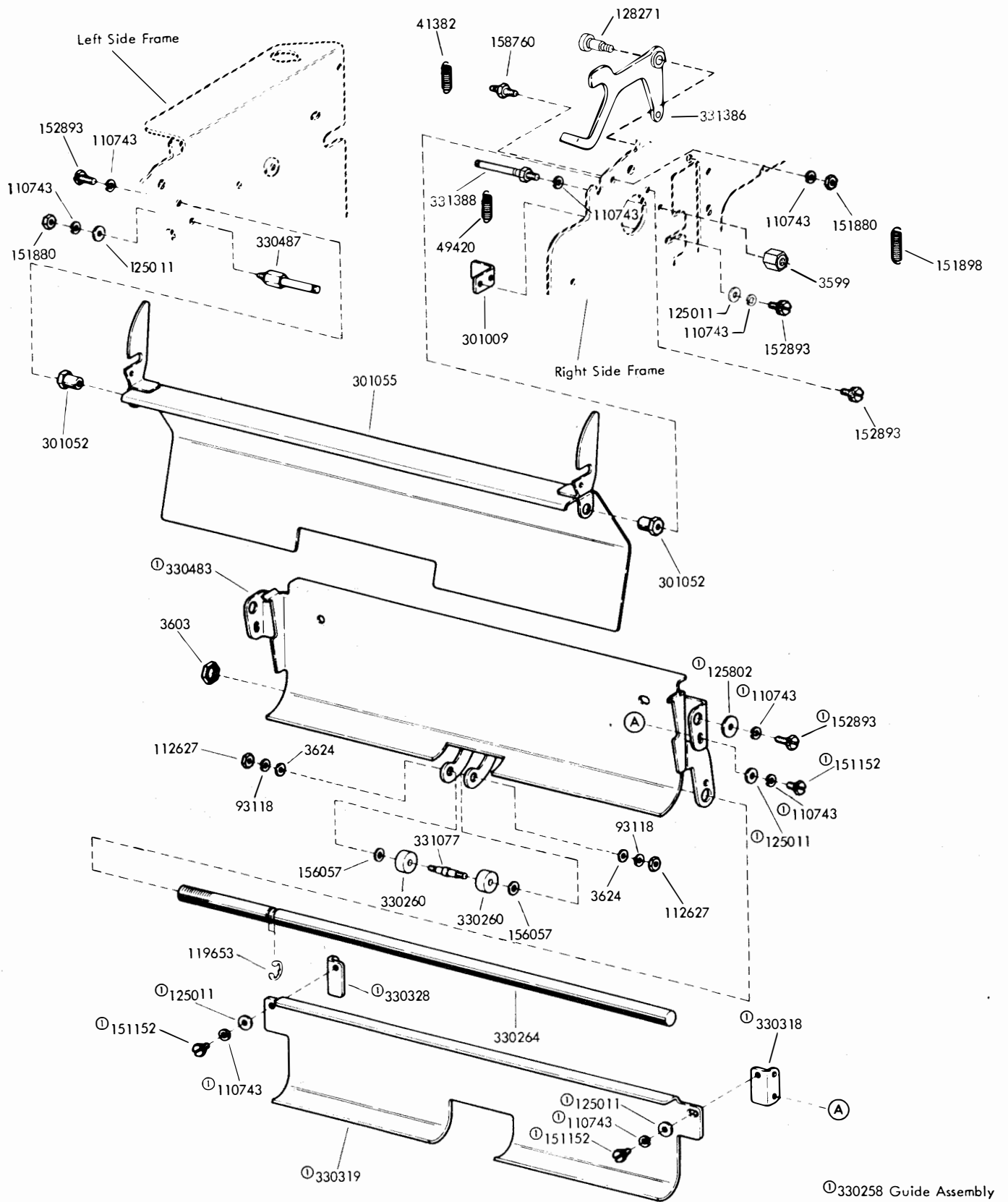


FIGURE 6. PAPER GUIDE MECHANISM

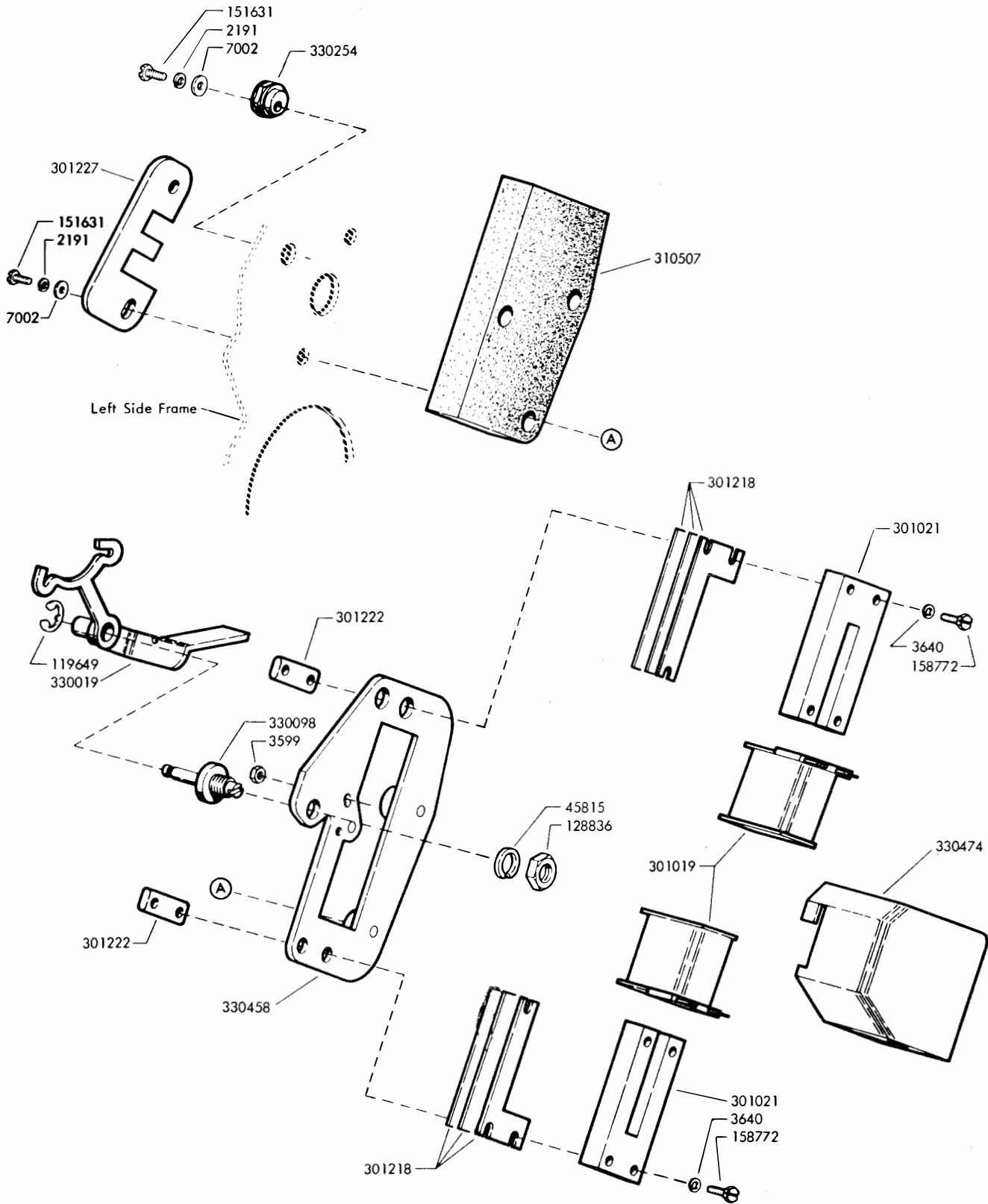


FIGURE 7. MAGNET PAWL MECHANISM

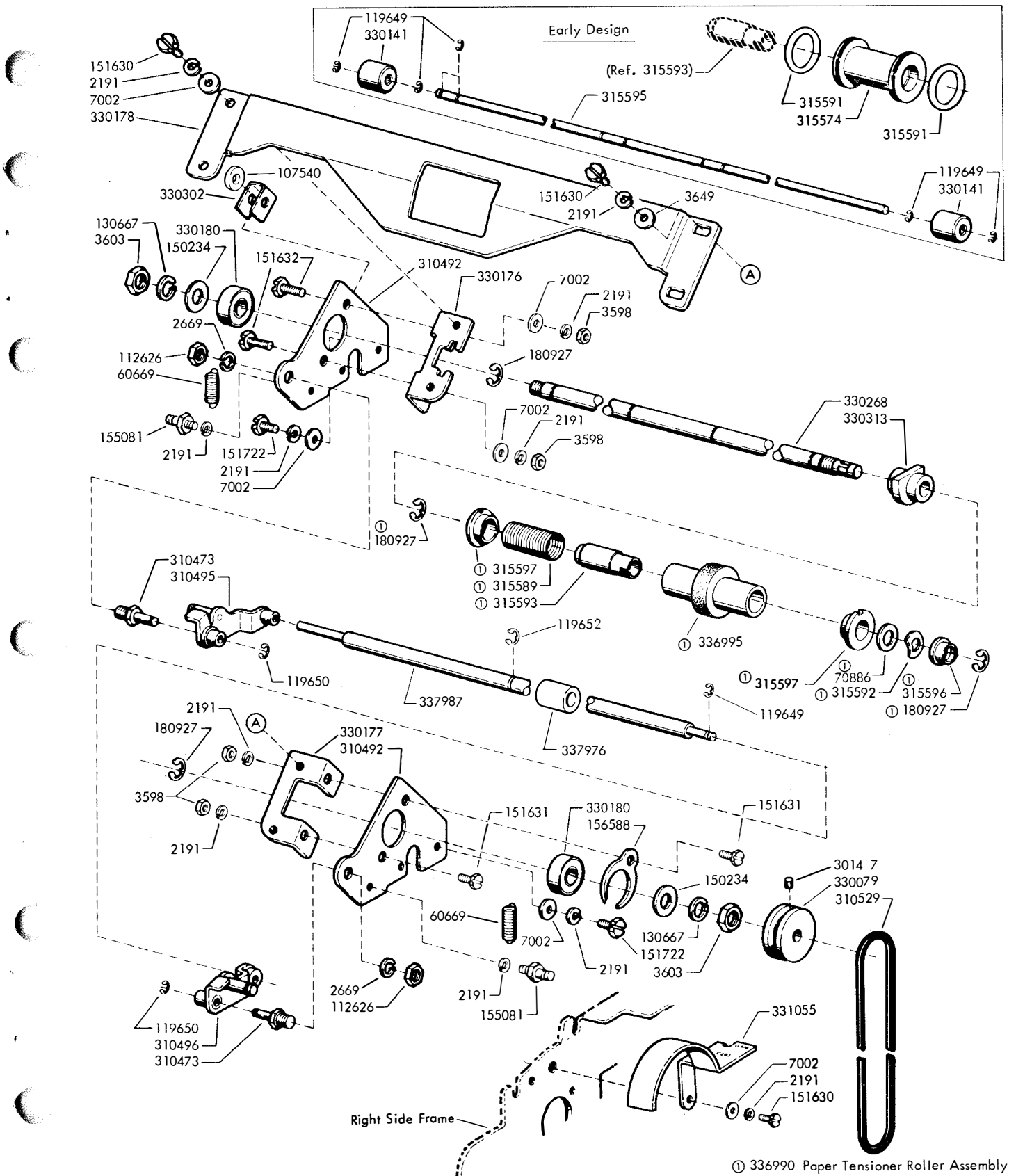


FIGURE 8. PAPER TENSIONER MECHANISM

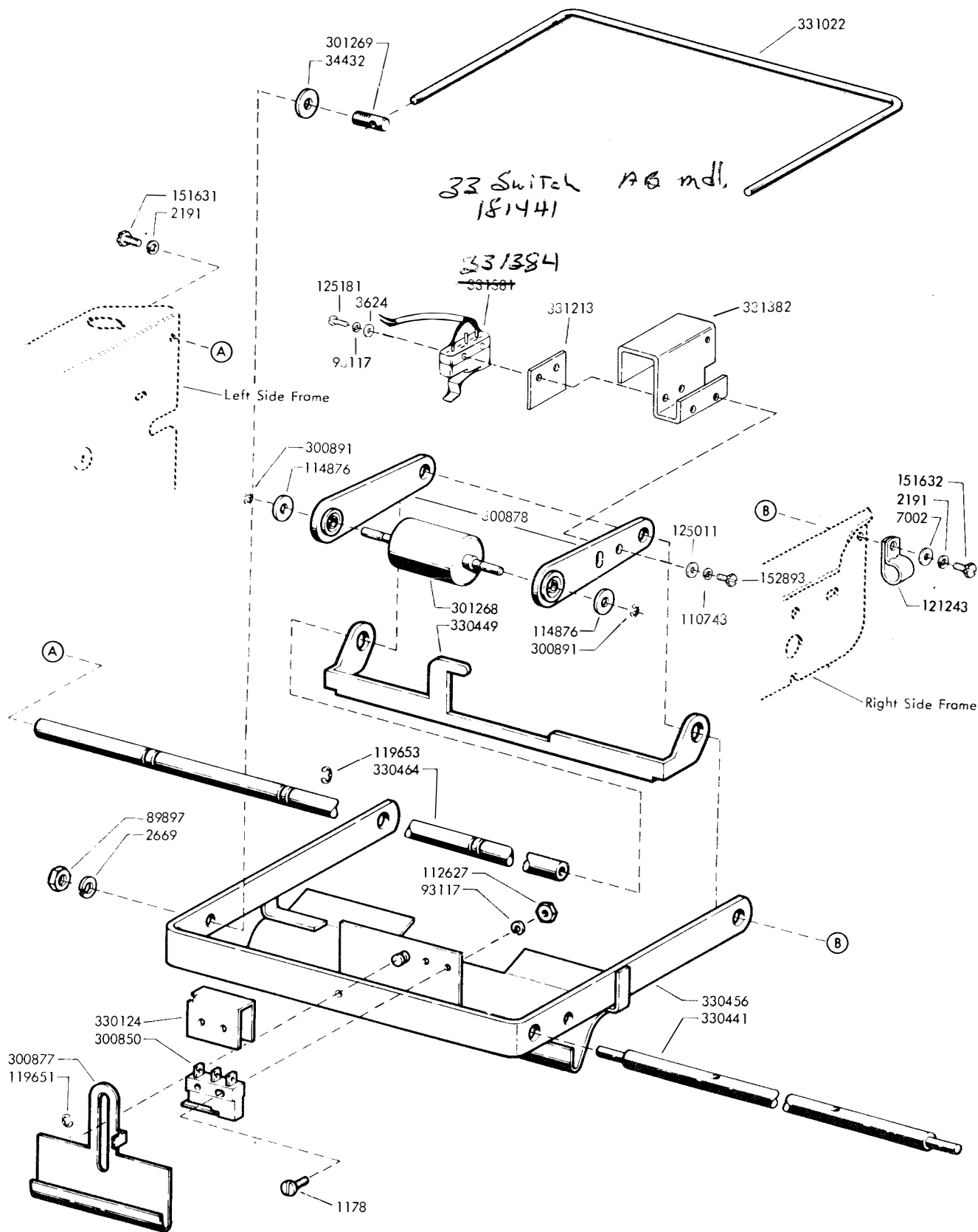


FIGURE 9. IDLER MECHANISM

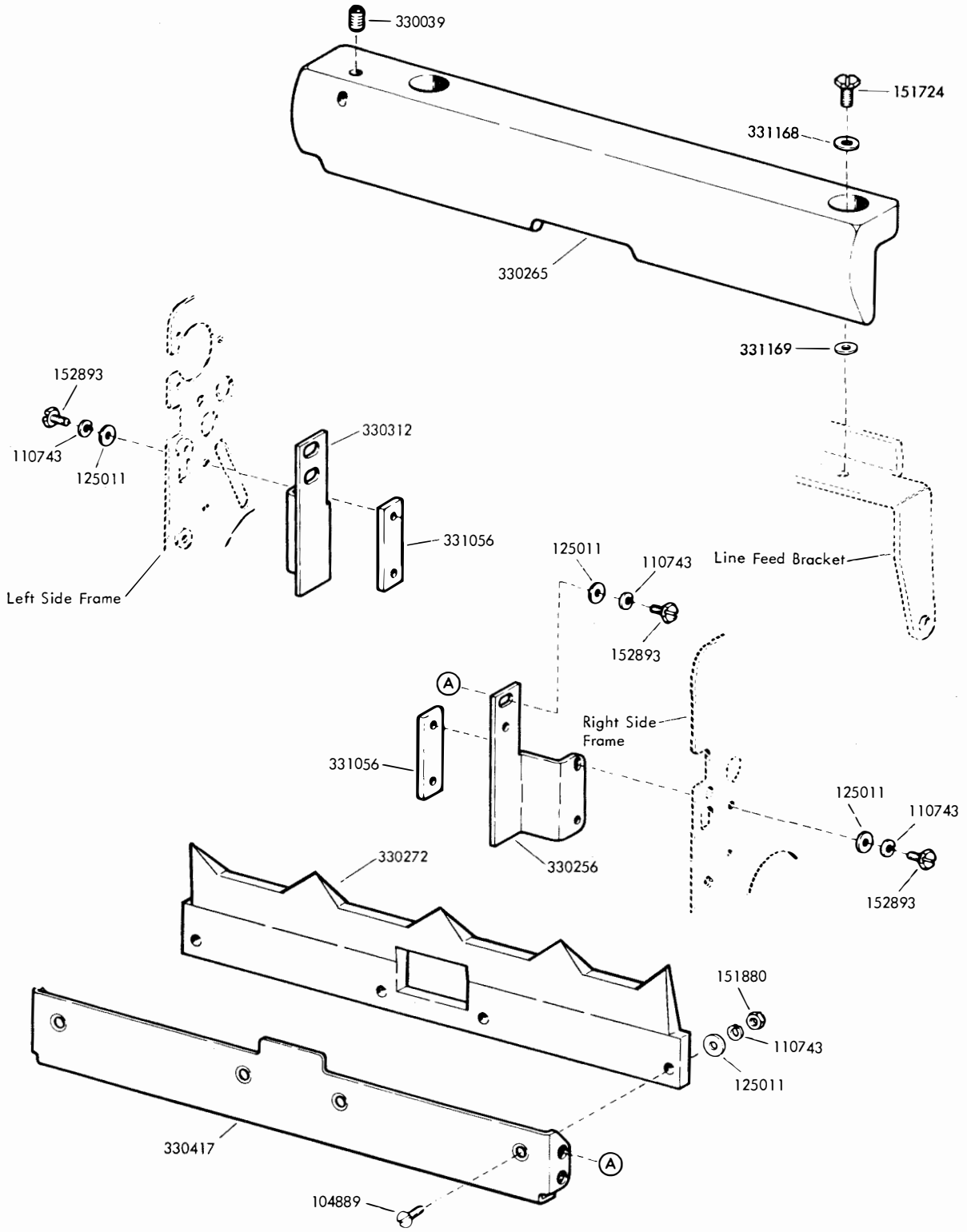


FIGURE 10. PLATEN

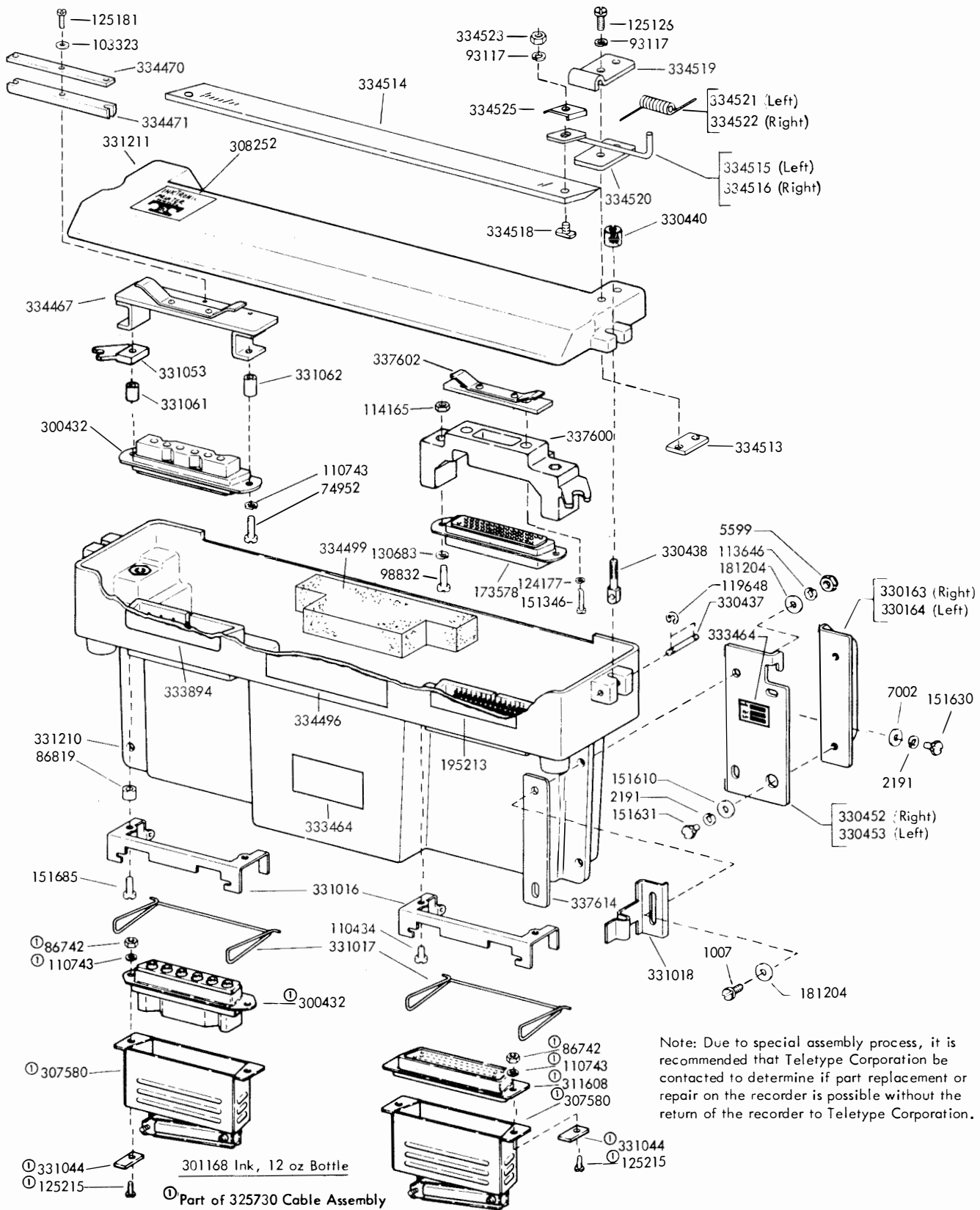
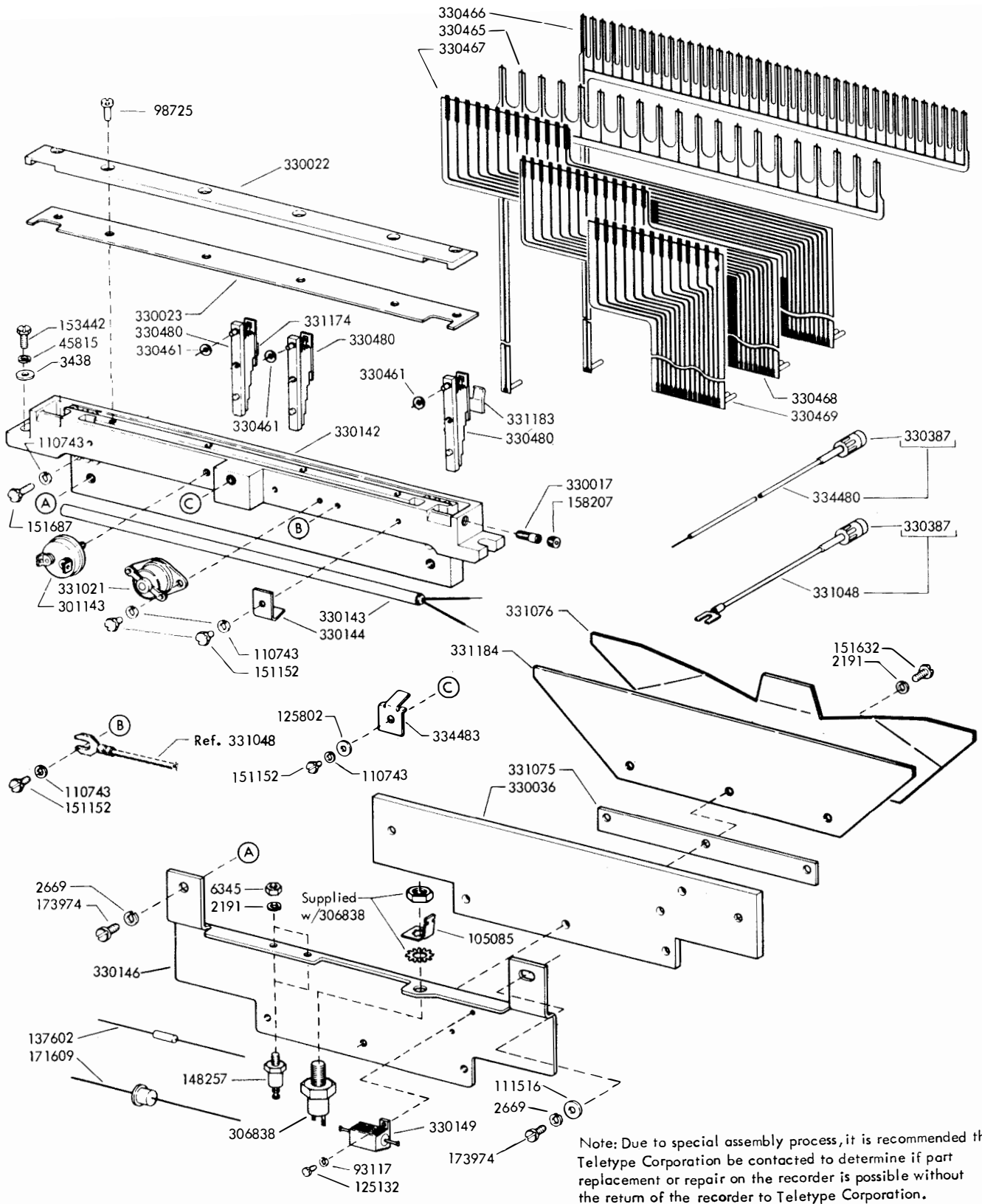


FIGURE 11. RECORDER TANK AND CONNECTORS



Note: Due to special assembly process, it is recommended that Teletype Corporation be contacted to determine if part replacement or repair on the recorder is possible without the return of the recorder to Teletype Corporation.

FIGURE 12. RECORDER MANIFOLD AND COMPONENTS

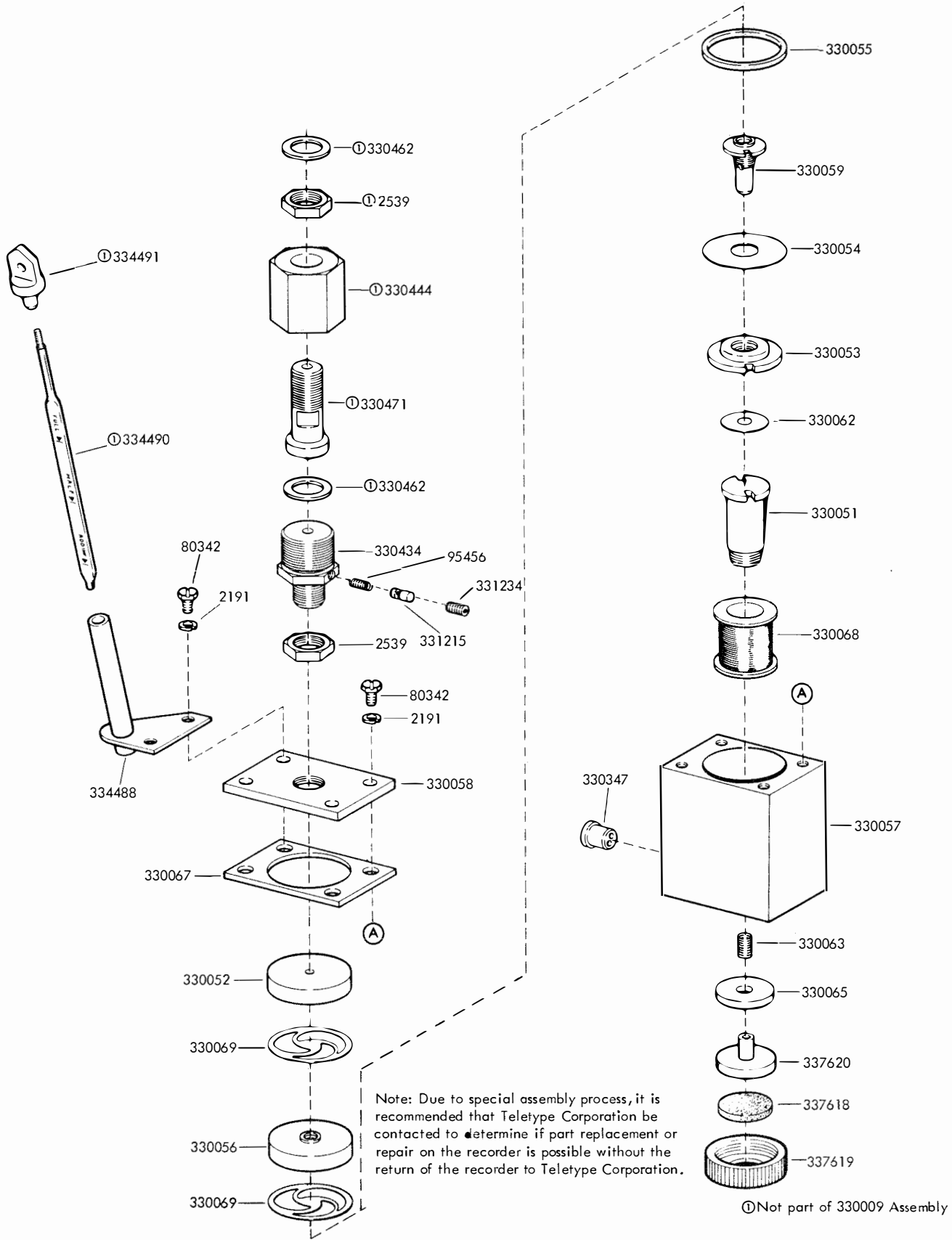


FIGURE 13. 330009 RECORDER INK PUMP ASSEMBLY

NUMERICAL INDEX

Part Number	Description and Page Number	Part Number	Description and Page Number	Part Number	Description and Page Number
1007	Screw, 8-32 x 5/8 Fil 12	107540	Spacer, .077" Thk 9	148257	Terminal, Insulated 13
1178	Screw, 2-56 x 7/16 Fil 10	110148	Screw, 4-40 x 5/8 Flat 5	150234	Roller 9
2191	Lockwasher 3 to 6,8,9,10, 12,13,14	110434	Screw, 4-40 x 3/16 Fil 12	150966	Insulator, Terminal Block 4
2539	Nut, 3/8-32 Hex 6,14	110743	Lockwasher 5,6,7,10,11, 12,13	151152	Screw, 4-40 x 3/16 Hex 7,13
2669	Lockwasher 2,4,5,9,10,13	111017	Screw, 4-40 x 5/16 Fil 4	151335	Stud 4
3438	Washer, Flat 13	111516	Washer, Flat 13	151346	Screw, 6-40 x 3/8 Fil 4,12
3598	Nut, 6-40 Hex 6,9	112509	Insulator, .031" Thk 3	151415	Block, Terminal 4
3599	Nut, 4-40 Hex 5,7,8	112626	Nut, 10-32 Hex 9	151416	Nut, 6-40 Hex 4
3603	Nut, 1/4-32 Hex 7,9	112627	Nut, 2-56 Hex 3,7,10	151610	Washer, Flat 12
3624	Washer, Flat 3,6,7,10	113646	Lockwasher 12	151620	Strap, Motor Mounting 2
3640	Lockwasher 8	114165	Nut, 4-40 Hex 12	151621	Screw, 6-32 x 3/4 Rd 2
3646	Lockwasher 2	114876	Washer, Flat 10	151622	Nut, 6-32 Sq 2
3649	Washer, Flat 9	116783	Holder, Fuse 4	151630	Screw, 6-40 x 1/4 Hex 4,5,6,9,12
5599	Nut, 8-32 Hex 5,12	117176	Fuse, SL-BL .5 Amp 4	151631	Screw, 6-40 x 5/16 Hex 4,5,6,8,9,10,12
6345	Nut, 6-32 Hex 3,13	117535	Washer, Flat 2,4,5	151632	Screw, 6-40 x 3/8 Hex 3,4,9,10,13
6807	Setscrew, 6-40 2	118510	Fuse, 1/4 Amp 5	151658	Screw, 6-40 x 5/16 Fil 4
7002	Washer, Flat 3 to 6,8,9 10,12	119648	Ring, Retaining 12	151685	Screw, 4-40 x 5/16 Fil 6,12
34432	Washer, Flat 10	119649	Ring, Retaining 3,8,9	151687	Screw, 4-40 x 7/16 Fil 6,13
41382	Spring 7	119650	Ring, Retaining 9	151689	Screw, 4-40 x 3/4 Fil 5
45815	Lockwasher 8,13	119651	Ring, Retaining 10	151722	Screw, 6-40 x 3/16 Hex 9
49420	Spring, Torsion 7	119652	Ring, Retaining 9	151723	Screw, 10-32 x 3/8 Hex 2,4,5
60669	Spring 9	119653	Ring, Retaining 5,7,10	151724	Screw, 10-32 x 5/8 Hex 11
70886	Washer, Flat 9	121243	Clamp, 3/16 ID Cable 10	151827	Strap, Terminal 4
73175	Lockwasher 6	121244	Clamp, 1/4 ID Cable 5	151880	Nut, 4-40 Hex 5,6,7,11
74952	Screw, 4-40 x 5/8 Fil 12	121245	Clamp, 5/16 ID Cable 4,5	151898	Spring 7
76474	Nut, 10-32 Hex 5	122207	Strap Assembly 2	152888	Screw, 4-40 x 7/16 Hex 5
77902	Screw, 6-40 x 2-3/8 Rd 4	124177	Lockwasher 12	152893	Screw, 4-40 x 1/4 Hex 7,10,11
80342	Screw, 6-40 x 23/64 Hex 14	124516	Grommet, Rubber 5	153441	Screw, 10-32 x 7/16 Hex 2
86742	Nut, 4-40 Hex 12	125005	Screw, 2-56 x 3/16 Rd 3,6	153442	Screw, 10-32 x 1/2 Hex 13
86819	Collar, Spacing 12	125011	Washer, Flat 5,7,10,11	155081	Post, Spring 9
87636	Screw, 2-56 x 3/16 Rd 6	125012	Screw, 2-56 x 9/32 Fil 12	156057	Washer, Flat 7
89897	Nut, 10-32 Hex 6,10	125132	Screw, 2-56 x 5/32 Fil 13	156588	Ring, Retaining 9
92265	Screw, 2-56 x 1/8 Rd 6	125170	Screw, 8-32 x 5/16 Fil 2	158207	Setscrew, 10-32 13
93117	Lockwasher 6,10,12,13	125181	Screw, 2-56 x 3/8 Fil 10,12	158760	Post, Spring 7
93118	Lockwasher 6,7	125215	Screw, 4-40 x 3/16 Hex 12	158772	Screw, 4-40 x 5/8 Hex 8
93984	Lockwasher 5	125390	Washer, Flat 2	171609	Diode 13
95456	Spring, Compression 14	125802	Washer, Flat 5,7,13	172902	Nut, 6-32 Hex 2
98718	Washer, Flat 2	128271	Screw, 6-40 Shoulder 7	173578	Connector, 50 Pt Receptacle Type 12
98725	Screw, 6-40 x 3/8 Flat 13	128836	Nut, 10-32 Hex 8	173902	Spring, Compression 3
98832	Screw, 4-40 x 11/16 Fil 12	130667	Lockwasher 9	173974	
103323	Washer, Flat 12	130683	Lockwasher 12		
104889	Screw, 4-40 x 7/16 Flat 5,11	137602	Resistor, 470 Ohm 13		
105085	Lug 13	142159	Bulb, 6V Lamp 5		
107116	Lockwasher 3	143055	Belt, 65T 6		
107256	Setscrew, 4-40 6	147209	Switch, SP-ST Pushbutton 5		
		147877	Terminal, Receptacle Type 5		

NUMERICAL INDEX (Continued)

Part Number	Description and Page Number	Part Number	Description and Page Number	Part Number	Description and Page Number
173974	Screw, 10-32 x 5/16 Hex 13	311608	Connector, 50 Pt Receptacle 12	330069	Valve 14
180927	Ring, Retaining 9	315574	Wheel w/Pin 9	330071	Bracket 2
181204	Washer, Flat 12	315589	Spring 9	330072	Bracket 2
181392	Terminal, Tab Type 4,5	315591	Ring, "O" 9	330074	Motor, 15V AC Torque 2
182182	Holder, Fuse 5	315592	Washer, Spring 9	330077	Cover w/Post 6
182715	Cap, Red Lens 5	315593	Bearing 9	330079	Pulley 9
185679	Plate, Identification 4	315595	Shaft 9	330080	Spring, Spiral 6
192007	Terminal, Tab Type 4	315596	Spacer 9	330081	Pulley 2
193040	Connector w/Guide Slot 4	315597	Retainer w/Bearing 9	330083	Bracket 2
195213	Plate, Identification 5,12	318843	Capacitor, 4 MFD 2	300084	Housing w/Bearing 6
198650	Key, Polarizing 4	320410	Terminal, Spade Type 4	330085	Tube 6
300432	Connector, 10 Pt Receptacle Type 12	320412	Terminal, Spade Type 3	330086	Wheel, Escapement 6
300850	Switch 10	320418	Terminal, Ring Type 4	330087	Housing w/Bearing 6
300877	Slide 10	325218	Washer, Insulating 4	330098	Post 8
300878	Arm w/Bearing 10	325639	Choke 4	330124	Shield, Switch 10
300891	Ring, Retaining 10	325712	Lock Assembly, Screw 5	330130	Potentiometer 5
300901	Arm 5	325713	Lock, Screw 4,5	330141	Roller 9
300902	Shaft 5	325725	Clamp, Connector 4,5	330142	Manifold 13
301009	Shaft 7	325730	Cable Assembly 5,12	330143	Heater 13
301019	Coil, Magnet 8	329086	Capacitor, 1.15 MFD 2	330144	Clamp, Heater 13
301021	Core, Magnet 8	330002	Arm 2	330146	Bracket 13
301048	Shaft 5	330003	Shaft w/Pulley 2	330149	Resistor, 60 Ohm 13
301052	Bushing 7	330004	Hub 6	330152	Card, Circuit 4
301055	Guide 7	330006	Roller 6	330163	Bracket, Left 12
301143	Thermostat 13	330007	Shaft 6	330164	Bracket, Right 12
301168	Ink, 12 oz Special 12	330009	Pump Assembly, Ink 1,14	330171	Plate, Base 2
301201	Bracket, Capacitor 2	330017	Post, Ink 13	330172	Wire w/Terminal 3
301218	Plate 8	330019	Pawl 8	330173	Card, Circuit 4
301222	Plate, Nut 8	330022	Cover, Manifold 13	330176	Bracket 9
301227	Plate 8	330023	Gasket 13	330177	Bracket, Right 9
301268	Shaft 10	330029	Bumper 2	330178	Plate, Top 9
301269	Stud 10	330036	Insulator 13	330180	Bearing, Ball 9
301477	Setscrew, 4-40 2,6,9	330039	Setscrew, 8-32 x 1/4 Nylon 11	330190	Power Supply 3
306838	Triac 13	330049	Post 2	330251	Bracket 6
307580	Shell 12	330051	Guide, Plunger 14	330252	Stud 6
308252	Plate 12	330052	Spacer, Cap 14	330253	Hub 6
308712	Resistor, 75 Ohm 4	330053	Armature 14	330254	Bushing, Eccentric 8
310192	Jumper, 4-1/2" Black 4	330054	Diaphragm 14	330256	Bracket, Left 11
310473	Stud 9	330055	Spacer 14	330258	Guide Assembly 7
310492	Plate, Mounting 9	330056	Chamber, Valve 14	330260	Bearing, Ball 7
310495	Arm, Left 9	330057	Housing, Solenoid 14	330264	Shaft 7
310496	Arm, Right 9	330058	Plate, Cover 14	330265	Platen 11
310507	Pad 8	330059	Plunger 14	330268	Shaft w/Pin 9
310529	Belt 9	330062	Washer, Flat 14	330272	Plate 11
311605	Connector, 25 Pt Plug 4,5	330063	Spring, Compression 14	330274	Cover 5
311606	Connector, 25 Pt Receptacle 4,5	330065	Washer, Flat 14	330302	Clamp, Bearing 9
		330066	Gasket 14	330308	Regulator 3
		330067	Coil 14	330312	Bracket, Right 11
		330068		330313	Plate 9
				330318	Bracket, Right 7

NUMERICAL INDEX (Continued)

Part Number	Description and Page Number	Part Number	Description and Page Number	Part Number	Description and Page Number
330319	Guide 7	330483	Pan 7	331211	Cover 12
330328	Bracket, Left 7	330484	Bracket 4	331213	Insulator 10
330345	Frame, Left Side 5	330487	Post 7	331215	Shaft 14
330346	Frame, Right Side 5	331003	Collar 6	331232	Insulator 3
330347	Plug 14	331010	Board Assembly, Circuit 3	331234	Setscrew, 8-32 14
330348	Cable Assembly 4	331011	Cover 3	331245	Bracket 4
330349	Motor, 115V AC 5	331013	Bracket 3	331381	Cable Assembly 10
330353	Shaft 5	331015	Bracket 3	331382	Bracket 10
330354	Roller 5	331016	Bracket 12	331386	Lever w/Hub 7
330355	Belt, 30T 5	331017	Spring 12	331388	Post 7
330358	Pulley 5	331018	Spring, Flat 12	333464	Plate, Identification 12
330361	Washer, Spl 5	331020	Cover Assembly 1,3	333465	Plate 5
330362	Pan, Guide 5	331021	Thermostat 13	333894	Plate 12
330363	Bar, Tie 5	331022	Spring 10	334467	Bracket 12
330364	Bracket 5	331025	Bearing, Ball 6	334470	Strip 12
330365	Motor, 115V AC 2	331026	Nut, 10-32 Spl 6	334471	Shaft 12
330368	Transformer 4	331027	Spring, Compression 3	334480	Lead w/Connector 13
330369	Switch 5	331028	Latch 3	334483	Spring, Flat 13
330374	Washer, Teflon 5	331029	Shaft 3	334488	Bracket w/Tube 14
330387	Connector 3,12	331030	Card, Circuit 3	334490	Stick, Dip 14
330417	Bracket 11	331032	Shaft 3	334491	Cover 14
330434	Connector 14	331034	Shaft 3	334496	Label 12
330437	Pin, Hinge 12	331035	Spring 3	334499	Filter 12
330348	Stud 12	331037	Cover 3	334513	Plate, Nut 12
330440	Nut, 6-40 Slotted 12	331038	Wire, 20" Lg 3	334514	Lid 12
330441	Shaft 10	331039	Wire, 36" Lg 3	334515	Arm, Left 12
330444	Nut, 5/8 Special 14	331044	Clip 12	334516	Arm, Right 12
330445	Cable Assembly 5	331048	Lead w/Connector, 3-3/4" Lg 13	334518	Stud 12
330449	Deflector, Paper 10	331053	Clamp 12	334519	Leaf 12
330452	Plate, Right 12	331055	Bracket 9	334520	Plate 12
330453	Plate, Left 12	331056	Plate, Nut 11	334521	Spring, Torsion (Left Hand Wound) 12
330456	Bail 10	331057	Shaft 3	334522	Spring, Torsion (Right Hand Wound) 12
330458	Plate w/Post 8	331061	Bushing, 1/4" Lg 12	334523	Nut 12
330461	Ring, "O" 13	331062	Bushing, 5/16" Lg 12	334525	Clip 12
330462	Washer, Flat 14	331073	Bracket 5	336990	Roller Assembly, Paper Tensioner 9
330464	Shaft 10	331075	Spacer 13	336995	Roller, Drive 9
330465	Electrode, Vertical Deflection 13	331076	Clamp 13	337600	Block, Connector 12
330466	Electrode, Horizontal	331077	Post, Bearing 7	337602	Plate 12
330467	Electrode, Left Valving 13	331081	Clip 3	337614	Plate 12
330468	Electrode, Center Valving 13	331082	Screw, 4-40 x 3/8 Nylon 3	337618	Filter 14
330469	Electrode, Right Valving 13	331099	Insulator 3	337619	Housing 14
330471	Stud 14	331168	Washer, Flat 11	337620	Retainer 14
330472	Bracket 4	331169	Spacer 11	337976	Roller 9
330474	Cover 8	331174	Spring 13	337987	Shaft 9
330480	Electrode Assembly w/Nozzle 13	331183	Spring 13		
		331184	Insulator 13		
		331197	Card, Circuit 4		
		331210	Tank Assembly 12		

