

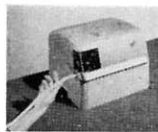
## *Stunt Box—your Big Plus with Teletype printers*

Built into Teletype Model 28 page printers is a control device called the Stunt Box. The function of this unique component is to provide extra control facilities for both local and remote operations. Thus—in addition to transmitting, receiving and recording messages and data—the page printer can be used for a variety of switching, remote control and selective calling tasks.

The Stunt Box reduces costs by simplifying equipment needs and systems arrangements. It is the Big Plus—the extra value in Teletype Model 28 page printers and automatic send-receive sets.

Teletype Corporation manufactures this equipment for the Bell System and others who require the finest in data communications equipment.

Write for free 20-page brochure, "The Teletype 28 Stunt Box," to Teletype Corporation, Dept. 16M, 5555 Touhy Avenue, Skokie, Illinois.



Typing Tape Punch



Tape Reader



Send-Receive Page Printer



Automatic Send-Receive Set

**TELETYPE<sup>®</sup>**  
**CORPORATION**  
 SUBSIDIARY OF *Western Electric Company* INC.

MODEL 28 TELETYPE

STUNT BOX

FIGURE NO.

- 1 STUNT BOX - FRONT VIEW 28E / "AN"
- 2 STUNT BOX - REAR VIEW 28E / "AN"
- 3 FUNCTION BAR
- 4 28E TYPING UNIT - LEFT-HAND END VIEW
- 5 FUNCTION BAR TINES AND CODEBARS
- 6 SHAPES OF FUNCTION LEVERS AND LATCHES
- 7 STUNT BOXES WITH SWITCHES
- 8 SWITCH MECHANISM
- 9 FUNCTION BAR TINES - SELECT A
- 10 OPERATION OF A PRINTER FUNCTION
- 11 OPERATION OF A PRINTER FUNCTION
- 12 OPERATION OF A PRINTER FUNCTION
- 13 OPERATION OF A PRINTER FUNCTION
- 14 SEQUENTIAL SELECTION OF A FUNCTION
- 15 SLOT AND CONTACT ARRANGEMENT - STUNT BOX 28E / "AN"

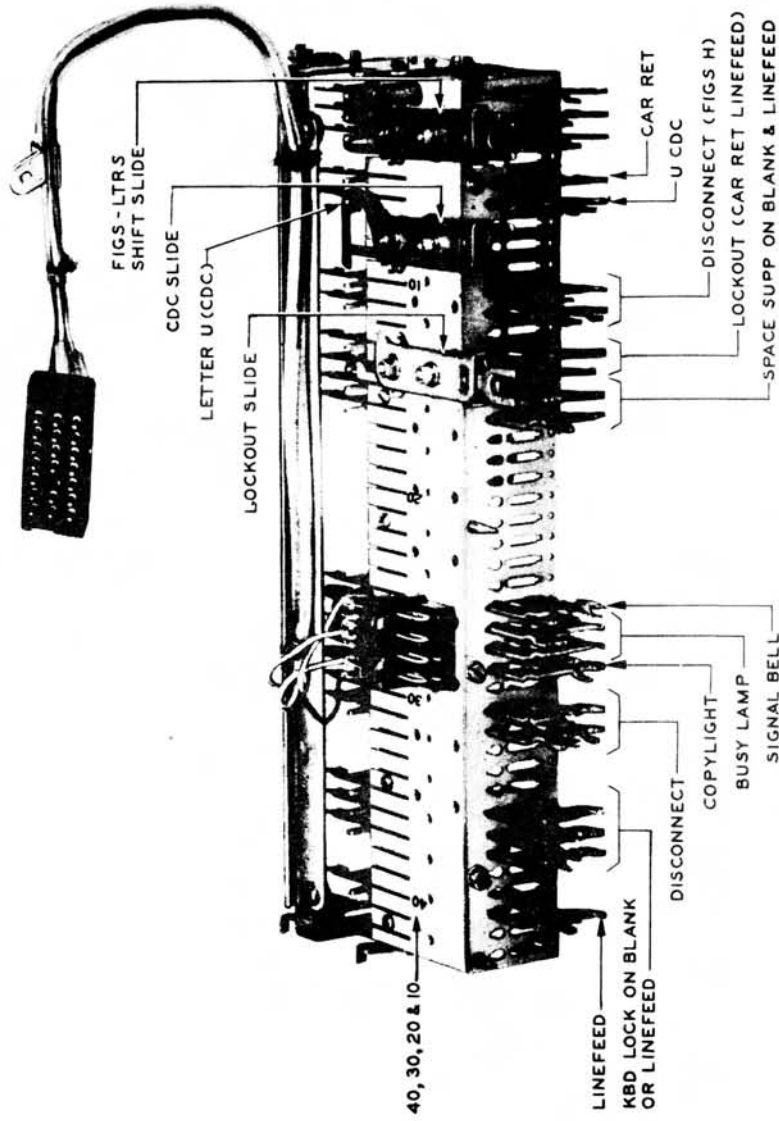


Fig. 1 - AN Stuntbox - Front View (28E)

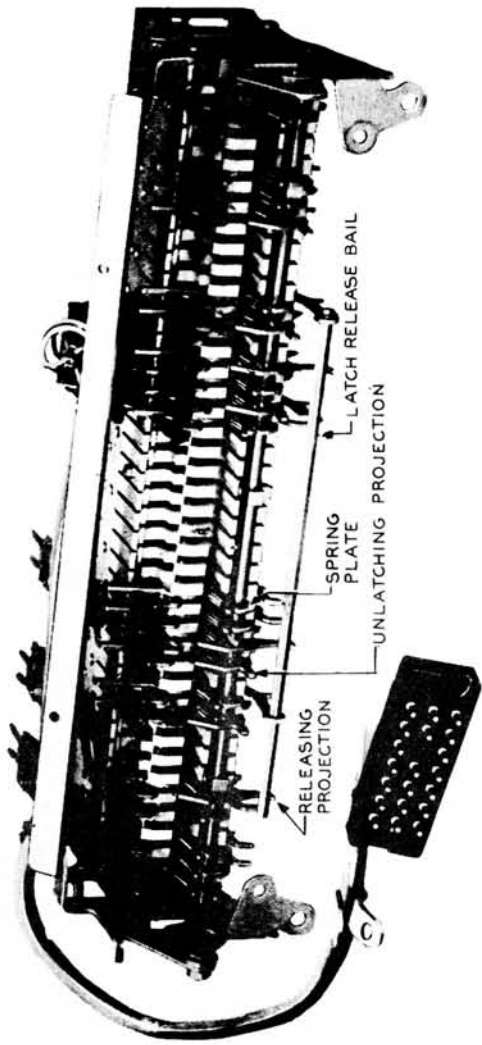
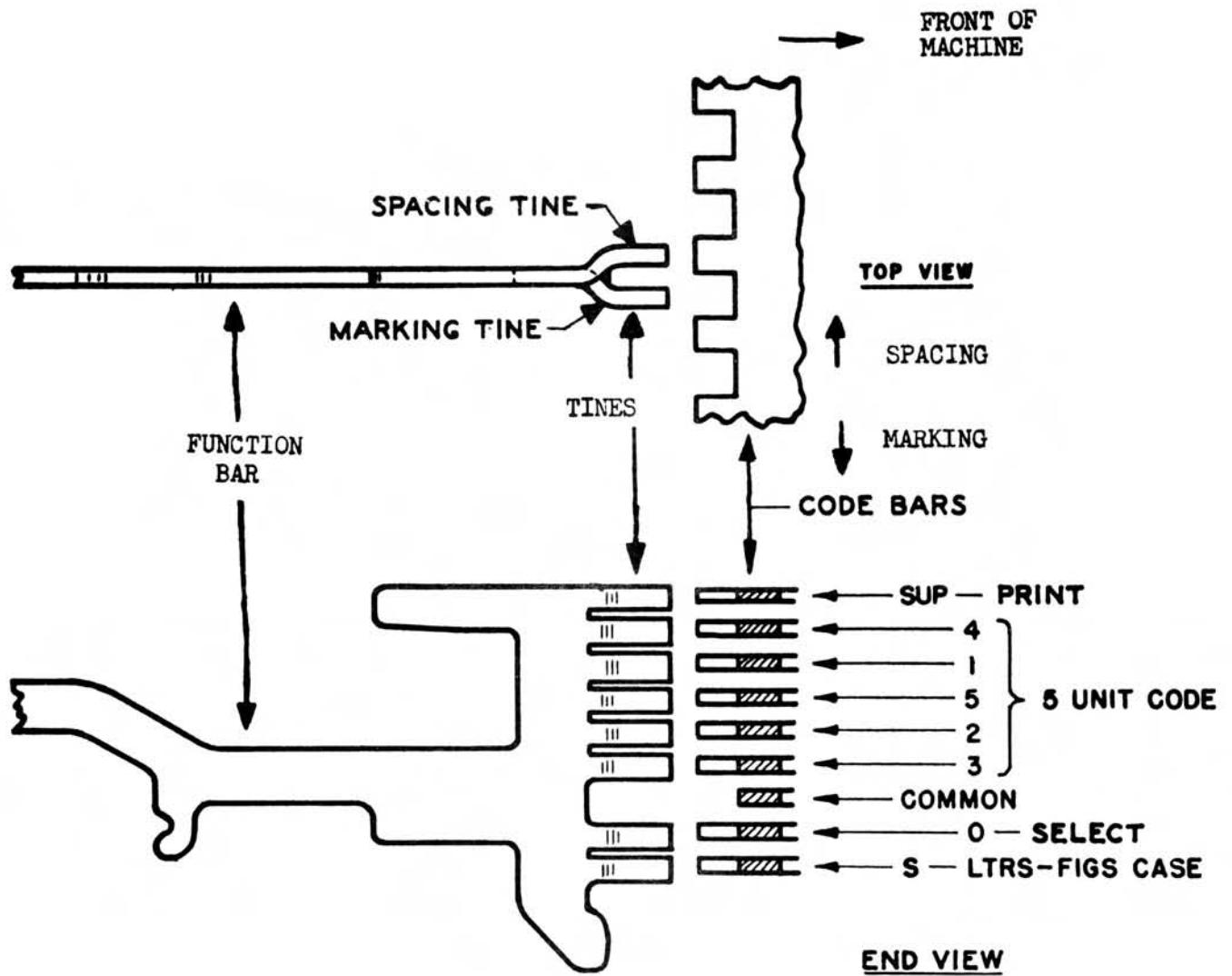


Fig. 2 - AN Stuntbox - Rear View (28E)



EACH TINE MAY BE FORMED TO PERMIT OPTIONAL SELECTION WHEN THE ASSOCIATED CODE BAR IS TOWARD THE LEFT (MARKING) OR RIGHT (SPACING). SELECTION IS PERMITTED IN EITHER CASE IF THE TINE IS OMITTED.

Fig. 3 - Function Bar

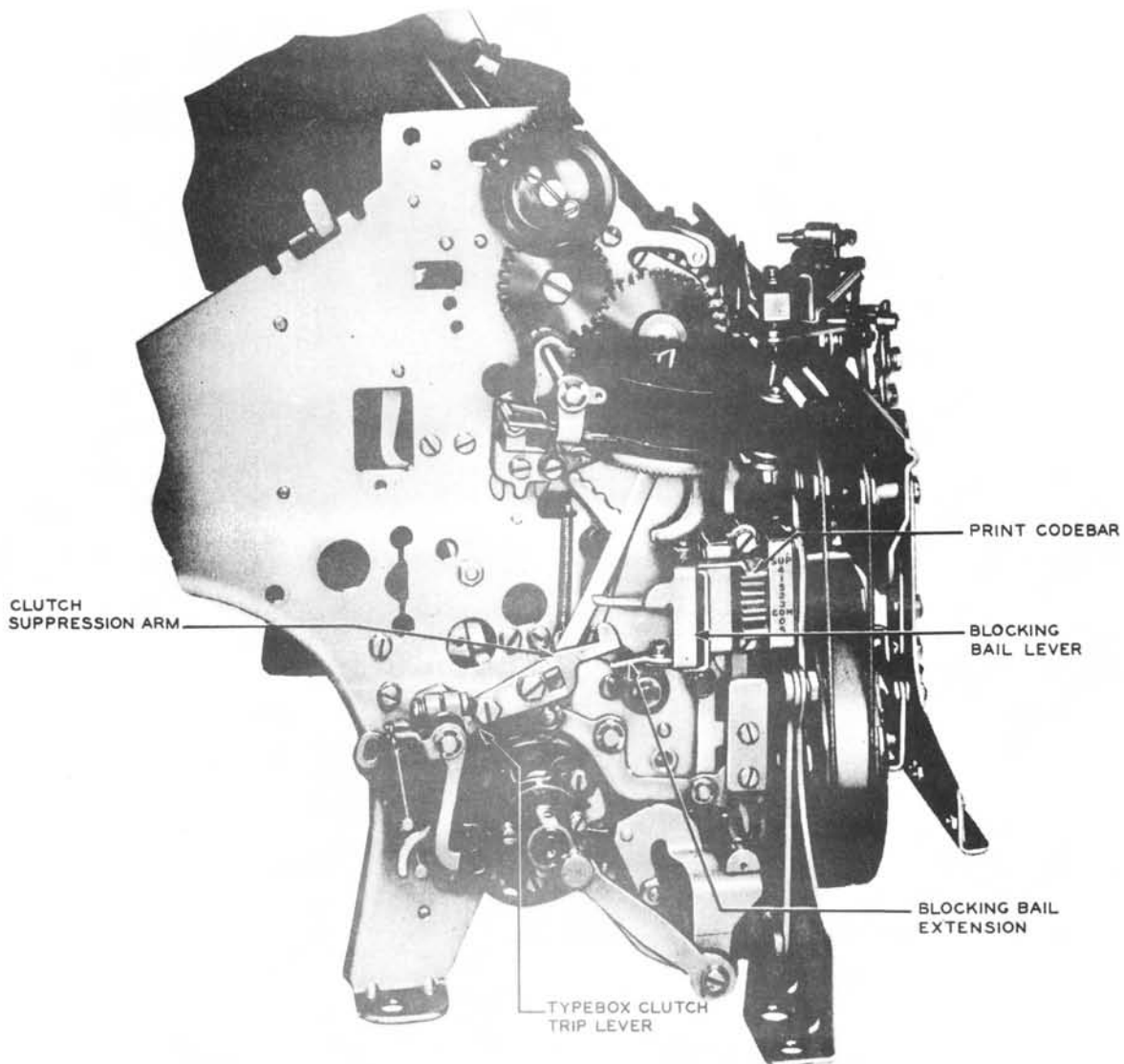
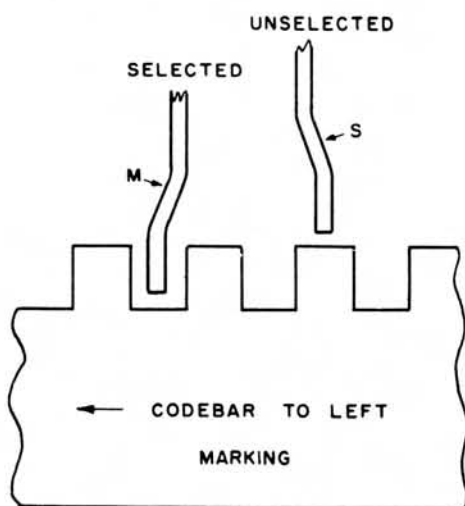
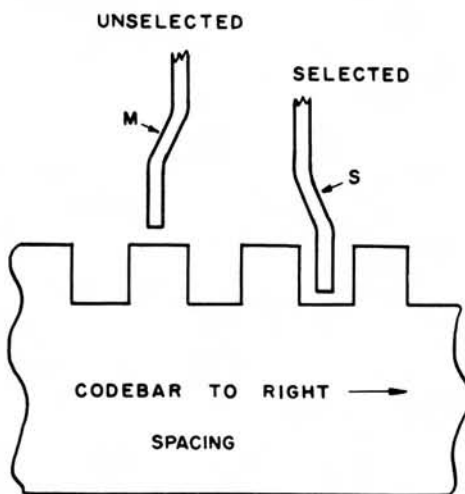


Fig. 4 - 28E Typing Unit - Left-Hand End View

FUNCTION BARS

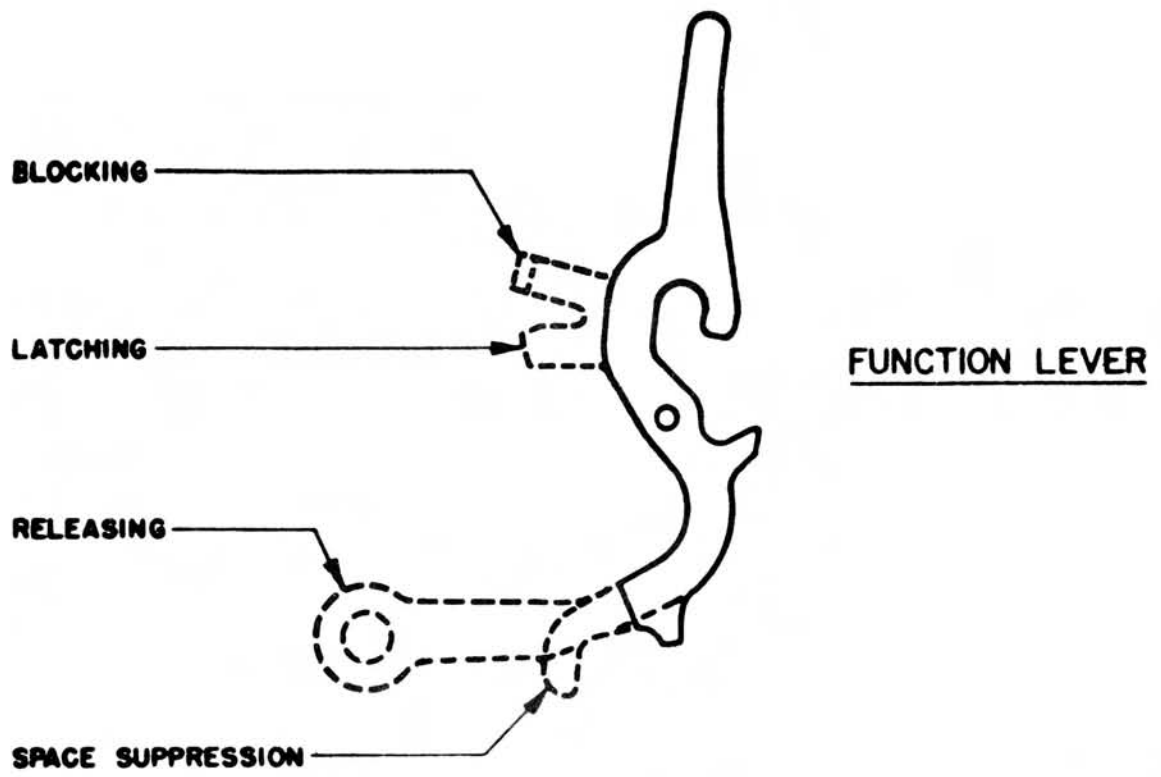


FRONT



FRONT

Fig. 5 - Function Bar Tines and Codebars



(DOTTED PORTIONS DENOTE OPTIONAL FORMS)

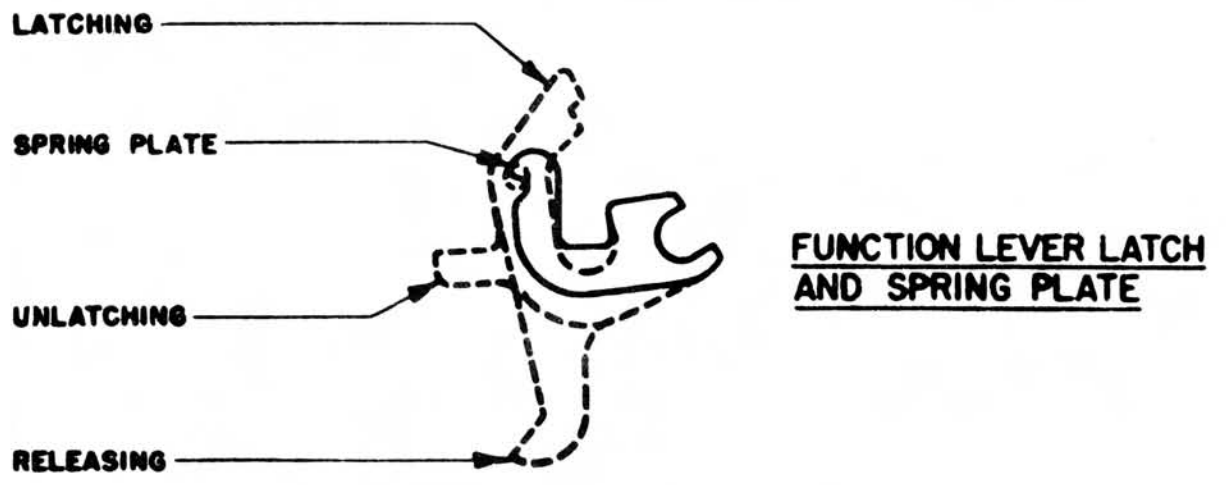


Fig. 6 - Shapes of Function Levers and Latches



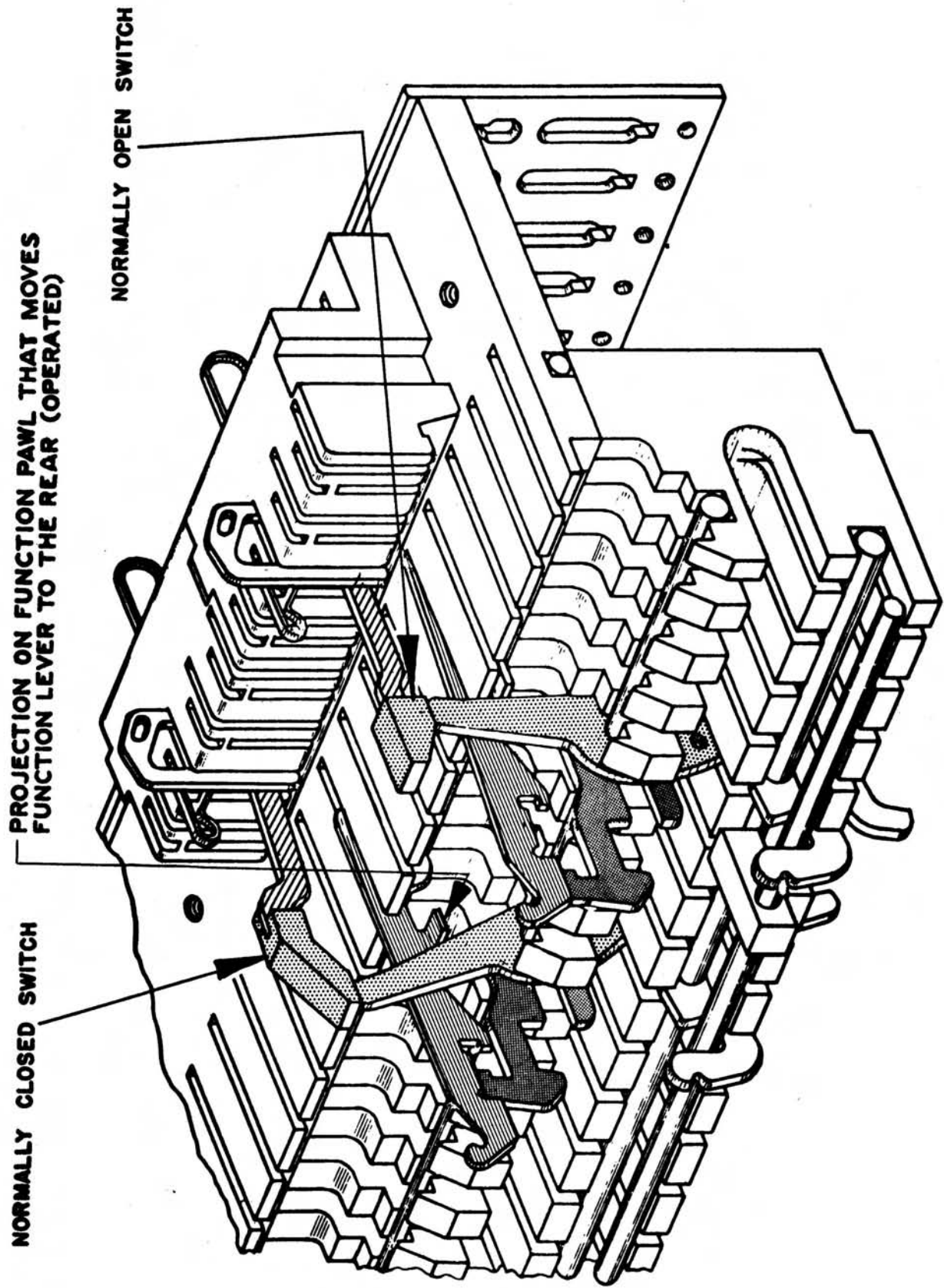


Fig. 7 - Stantbox with Switches

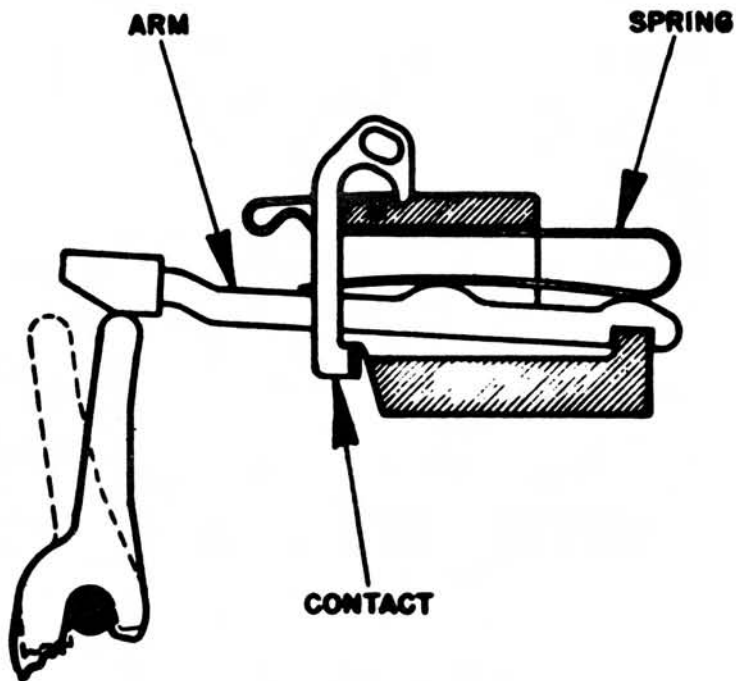
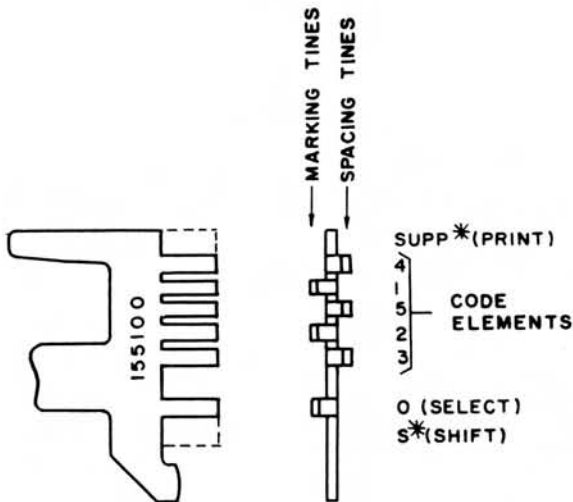


Fig. 8 - Switch Mechanism



\* THESE TINES NOT USED ON THIS FUNCTION BAR

Fig. 9 - Function Bar Tines - Select A

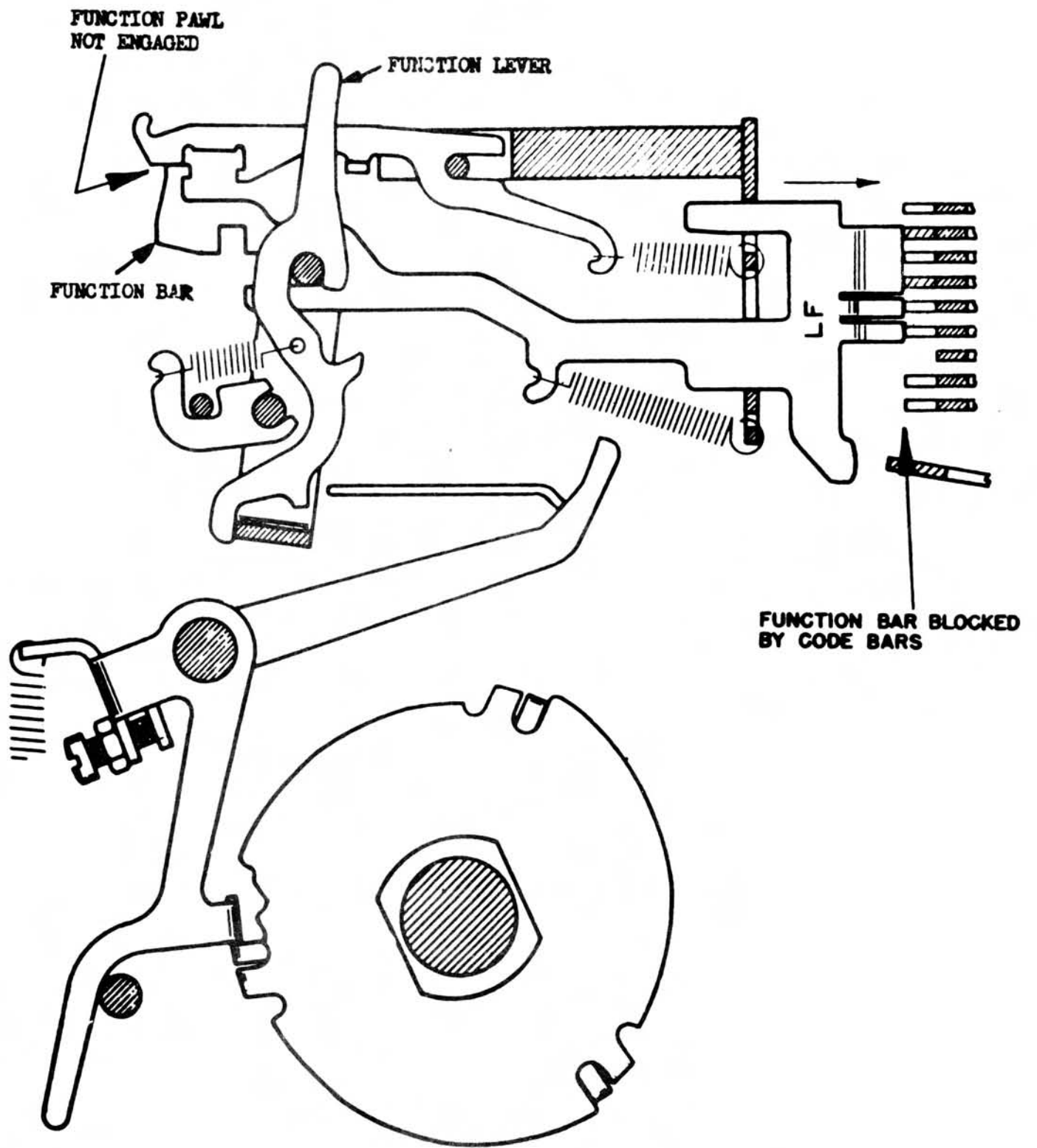


Fig. 10 - Operation of a Printer Function

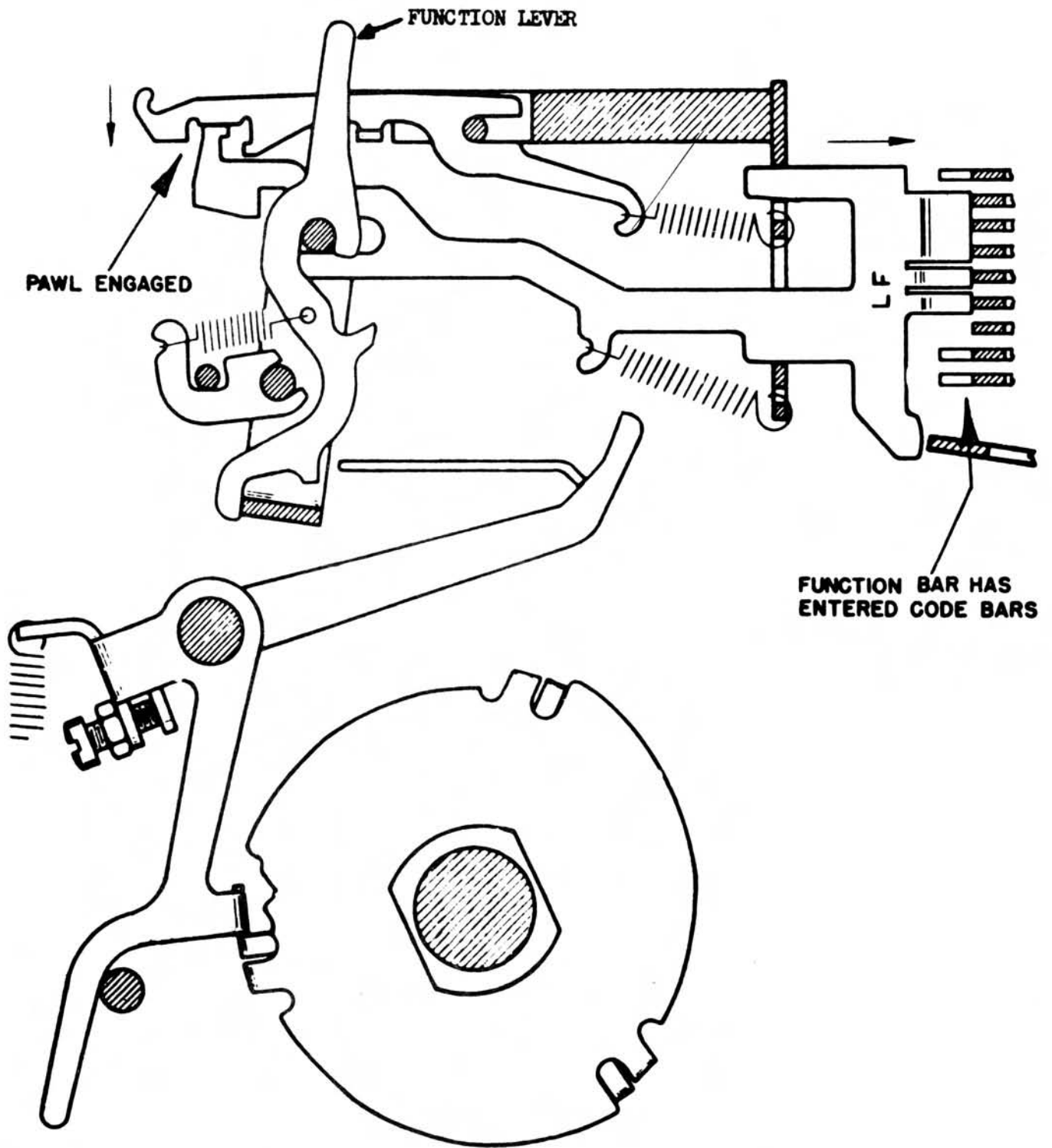


Fig. 11 - Operation of a Printer Function

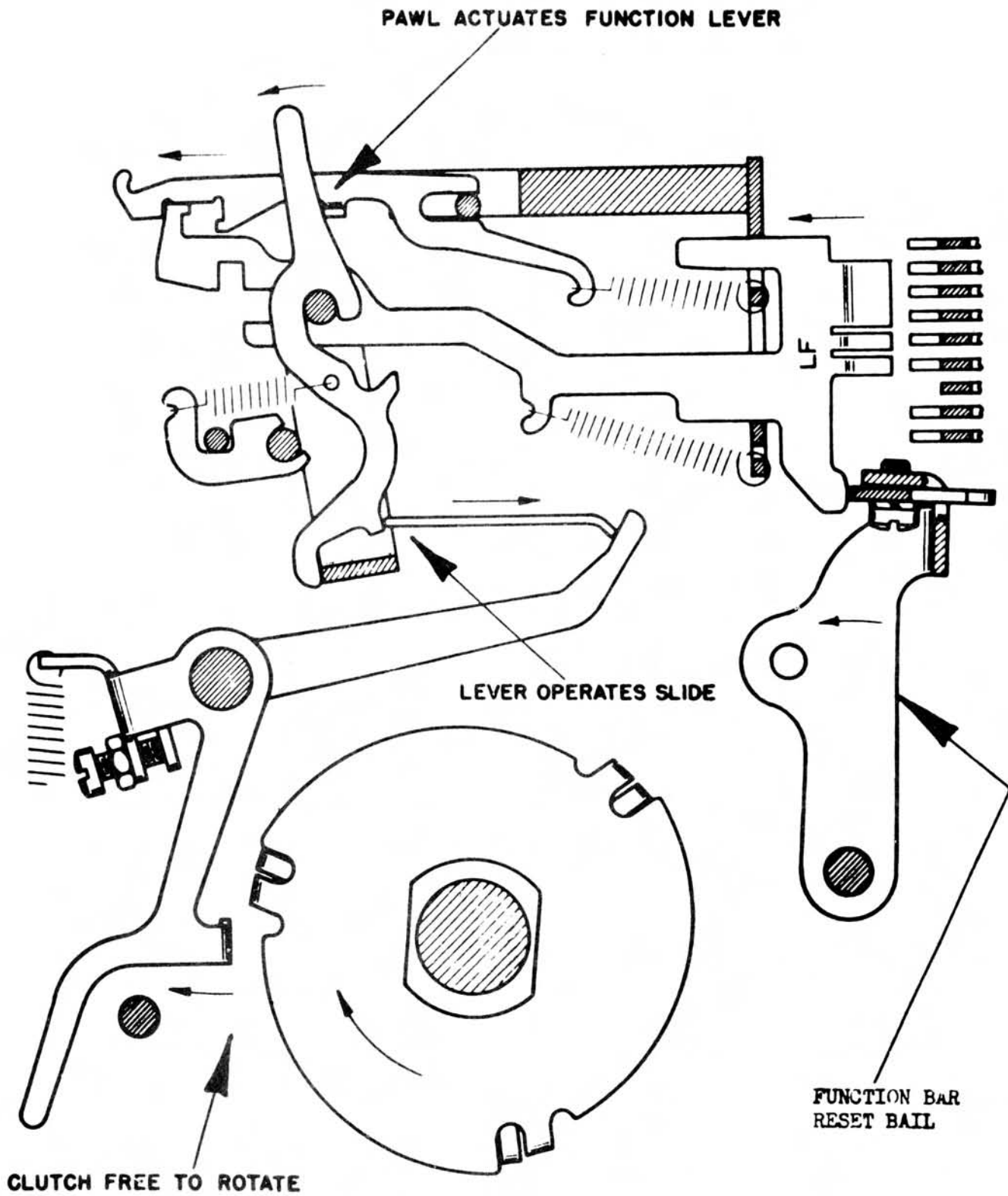


Fig. 12 - Operation of a Printer Function

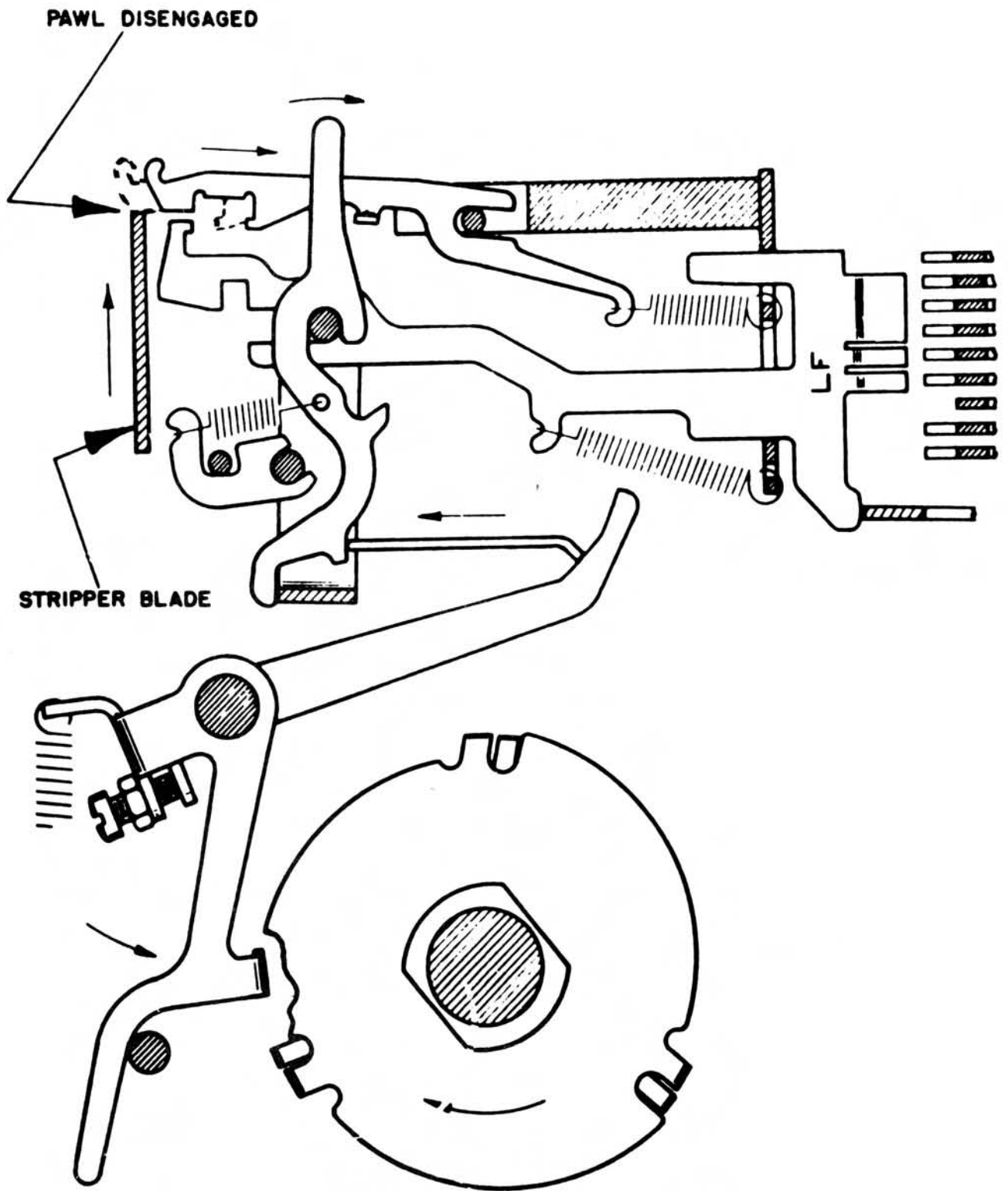


Fig. 13 - Operation of a Printer Function

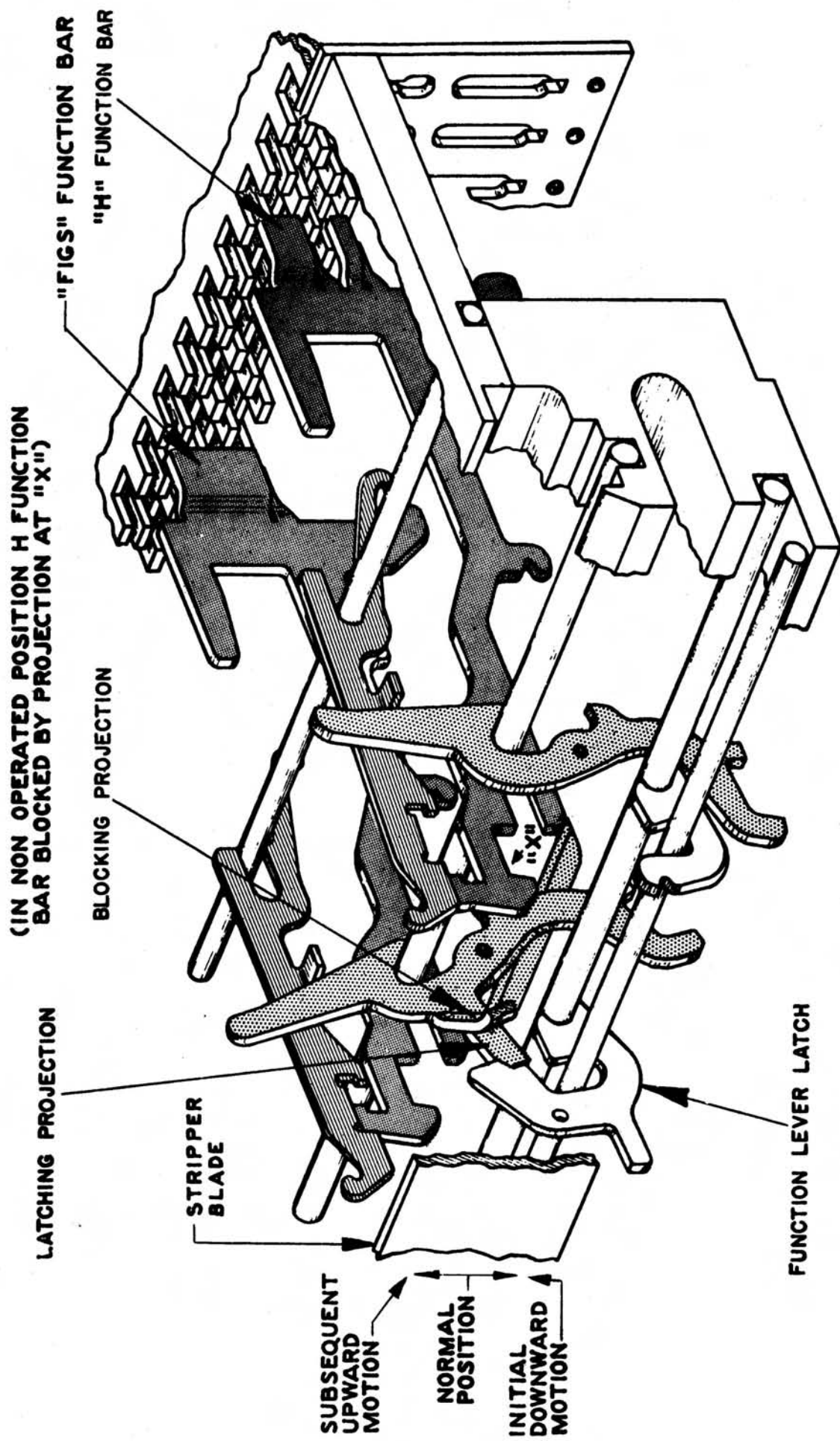


Fig. 14 - Sequential Selection of a Function



LEGEND

- ⊗ MAKE CONTACT - MOMENTARY CLOSURE
- ⊕ BREAK CONTACT - MOMENTARY OPEN
- ⊗ LH - LATCHED CLOSED, RELEASED BY FIGS M
- ⊕ LBH - LATCHED OPEN, RELEASED BY FIGS BLANK M

NOTES:

1. STUNTBX PARTS FOR MOTOR CONTROL PROVIDED ONLY WHEN SPECIFIED.
2. POSSIBLE LOCATION OF OPTIONAL CONTACT BLOCK.

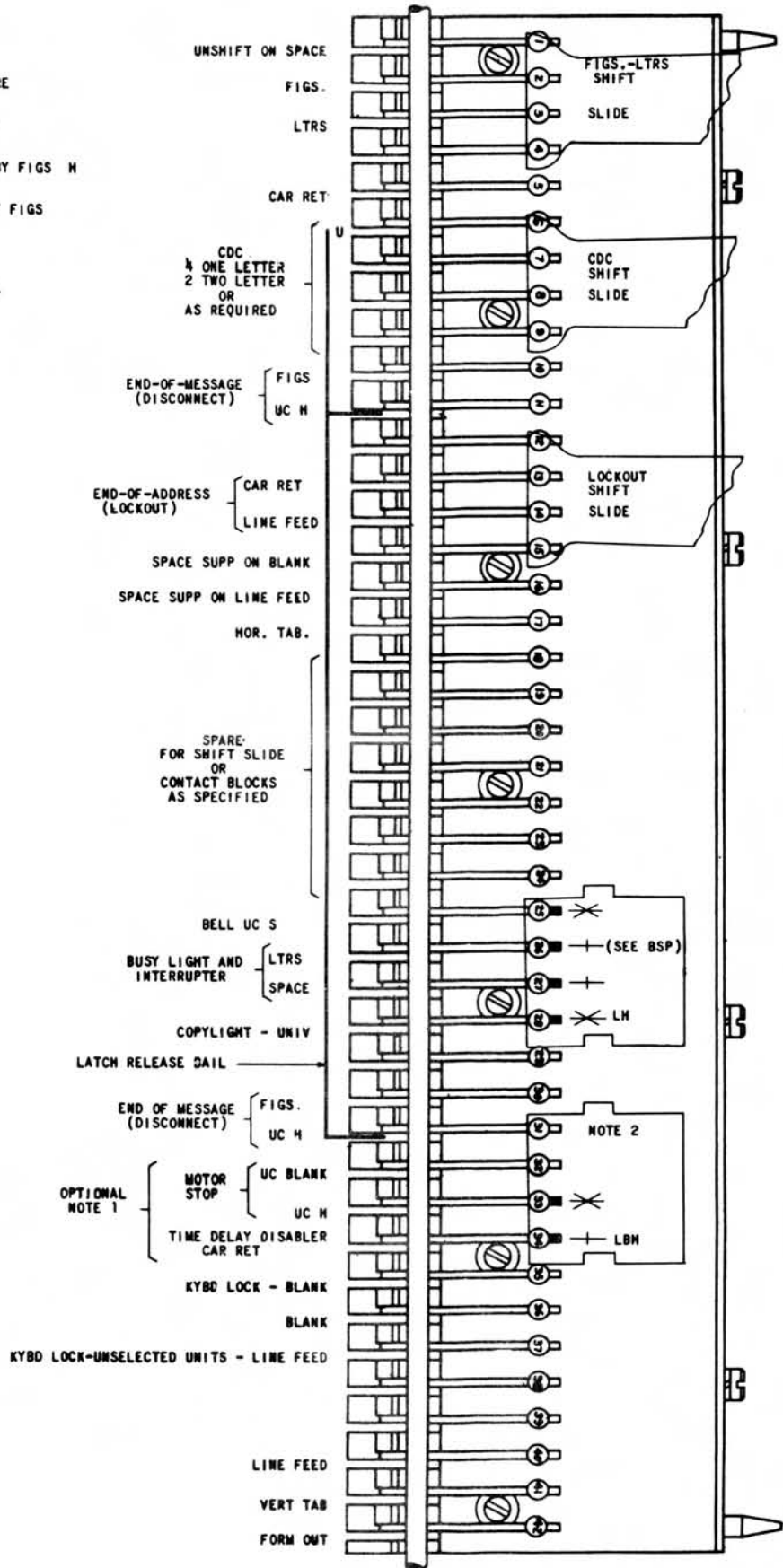


Fig. 15 - Slet and Contact Arrangement - AN Stuntbox TP152810