

SECTION 15
 Model 28 Teletypewriter
 Pictorial Material

| <u>Instructors</u> Guide <u>Figure No.</u> | <u>Title</u> |
|--|---|
| 1. | Type Box Arrangement, Viewed from Front of Typing Unit. |
| 2. | Vertical Knee Action and Buckling. |
| 3. | Control of Right or Left Movement by No. 3 Code Bar. |
| 4. | Vertical and Horizontal Positioning of Type Box. |
| 5. | Typing Unit Main Shaft. |
| 6. | Clutch Disengaged. |
| 7. | Clutch Engaged. |
| 8. | Code Bar Arrangement. |
| 9. | Key Lever Mechanism, Selected Position. |
| 10. | Code Bar Selection. |
| 11. | Code Bar Bail Mechanism, Released Position. |
| 12. | Key Lever Lock Ball Mechanism. |
| 13. | Signal Generator Mechanism, Front View. |
| 14. | " " " " " |
| 15. | " " " " " |
| 16. | Clutch Trip Mechanism, Rear View. |
| 17. | Keyboard Clutch Latch Mechanism. |
| 18. | Code Bar Bail Mechanism, Reset Position. |
| 19. | Signal Generator, Rear View, Stop Position. |
| 20. | " " Rear View, Spacing Position. |
| 21. | Contact Assembly, Spacing Position. |
| 22. | Signal Generator, Rear View, Marking Position. |
| 23. | Contact Assembly, Marking Position. |
| 24. | Non-repeat Lever Mechanism. |
| 25. | Keyboard Lock Mechanism. |
| 26. | " Unlock " . |
| 27. | " Lock " . |
| 28. | Local Carriage Return Mechanism. |
| 29. | Local Line Feed Mechanism. |
| 30. | Break Mechanism. |
| 31. | " " |
| 32. | Margin Indicator Mechanism |
| 33. | Time Delay Mechanism. |

Instructors
Guide
Figure No.

Title

| | |
|-----|---|
| 34. | Time Delay Mechanism |
| 35. | " " " |
| 36. | Selector Cam-Clutch Trip Mechanism. |
| 37. | Selector Mechanism, Right End View. |
| 38. | Code Bar Positioning Mechanism. |
| 39. | " " " " Front View. |
| 40. | " " " " Top View. |
| 41. | " " Arrangement. |
| 42. | Typing Unit, Code Bar Clutch Trip Shaft Mechanism. |
| 43. | Trip Mechanism for Function and Type Box Clutches. |
| 44. | <u>Right Side Mechanism.</u> |
| 45. | Front Plate Horizontal Positioning Mechanism. |
| 46. | Stop Slide Positioning. |
| 47. | Printing Hammer Mechanism, Top View. |
| 48. | Spacing Drum Drive Mechanism. |
| 49. | Spacing and Spacing Suppression Mechanism. |
| 50. | Draw Wire Rope Mechanism. |
| 51. | Function Box, Rear View Showing Function Levers. |
| 52. | Function Selection, Top View. |
| 53. | Typical Function Box Mechanism, Unselected. |
| 54. | " " " " Selected. |
| 55. | Function Reset Bail Mechanism. |
| 56. | Carriage Return Function Mechanism. |
| 57. | Carriage Return Mechanism. |
| 58. | Line Feed Function and Clutch Trip Mechanism. |
| 59. | Positioning Mechanism for Single or Double line Feed, |
| 60. | Line Feel Mechanism. |
| 61. | Letters-Figures Function Slides, Figures Position. |
| 62. | Letters-Figures Shift Mechanism, Letters Position. |
| 63. | Letters-Figures Function Slides, Letters Position. |
| 64. | Unshift on Space Function Mechanism, Disabled Position. |
| 65. | Signal Bell Contact Mechanism, Unselected. |
| 66. | " " " " Selected. |
| 67. | Keyboard Lock Priming Mechanism. |
| 68. | " " Mechanism. |

**Instructors
Guide
Figure No.**

Title

- | | |
|-----|------------------------------|
| 69. | Ribbon Mechanism, Left Side. |
| 70. | " " Left Top View. |
| 71. | Ribbon Tension Mechanism. |
| 72. | " Reversing " |
| 73. | Deceleration.. |

LETTERS

| | LEFT | | RIGHT | |
|------------|------------------|-----------------|-----------------|------------------|
| | 4 5 | 4 5 | 4 5 | 4 5 |
| TOP ROW | M | N | H | SPACE |
| 2ND ROW | X | F | Y | S |
| 3RD ROW | V | C | P | I |
| BOTTOM ROW | LETTERS 12345 | 3RD ROW 1234 | 2ND ROW 1235 | 1ST ROW 123-- |

| | LEFT | | RIGHT | |
|------------|-----------------|------------------|------------------|------------------|
| | 4 5 | 4 5 | 4 5 | 4 5 |
| TOP ROW | BLANK | T | C.R. | O |
| 2ND ROW | E | Z | D | B |
| 3RD ROW | L.F. | L | R | G |
| BOTTOM ROW | LETTERS 12-- | 2ND ROW 12--5 | 3RD ROW 12-4- | 4TH ROW 12-45 |

| | LEFT | | RIGHT | |
|------------|------------------|------------|------------|------------|
| | 4 5 | 4 5 | 4 5 | 4 5 |
| TOP ROW | . | ' | + | SPACE |
| 2ND ROW | / | ! | 6 | BELL |
| 3RD ROW | ; | : | 0 | 8 |
| BOTTOM ROW | LETTERS 12345 | (12345 | 1 123-5 | 7 123-- |

FIGURES

| | LEFT | | RIGHT | |
|------------|-----------------|------------------|------------------|------------------|
| | 4 5 | 4 5 | 4 5 | 4 5 |
| TOP ROW | BLANK | 5 | C.R. | 9 |
| 2ND ROW | 3 | " | \$ | ? |
| 3RD ROW | L.F. |) | 4 | 8 |
| BOTTOM ROW | 1ST ROW 12-- | 2ND ROW 12--5 | 3RD ROW 12-4- | 4TH ROW 12-45 |

| | LEFT | | RIGHT | |
|------------|------------------|------------|------------|------------|
| | 4 5 | 4 5 | 4 5 | 4 5 |
| TOP ROW | BLANK | T | C.R. | O |
| 2ND ROW | E | Z | D | B |
| 3RD ROW | L.F. | L | R | G |
| BOTTOM ROW | LETTERS 12345 | (12345 | 1 123-5 | 7 123-- |

FIGURE 1. TYPE BOX ARRANGEMENT, VIEWED FROM FRONT OF TYPING UNIT.

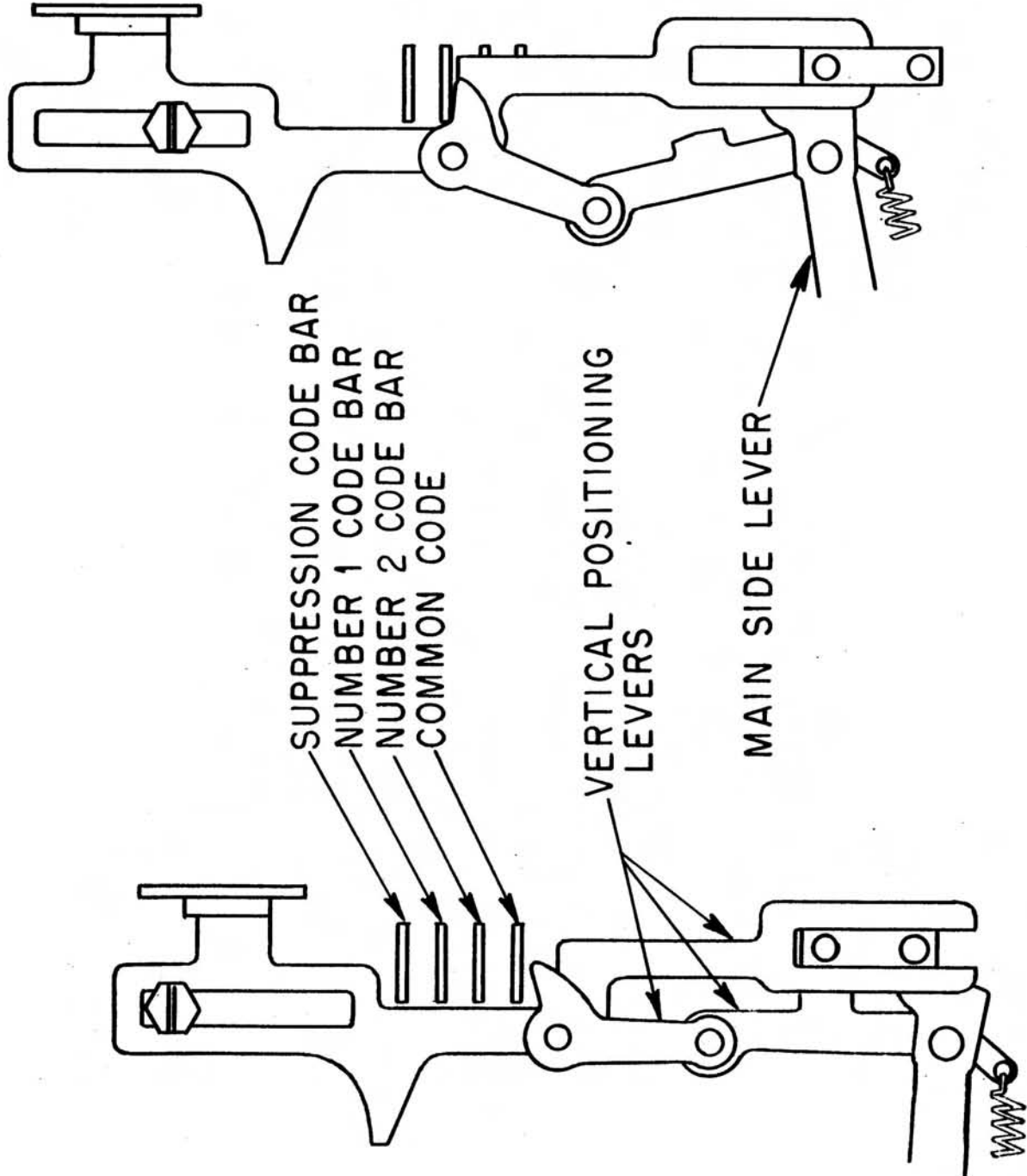


FIGURE 2 - KNEE ACTION AND BUCKLING

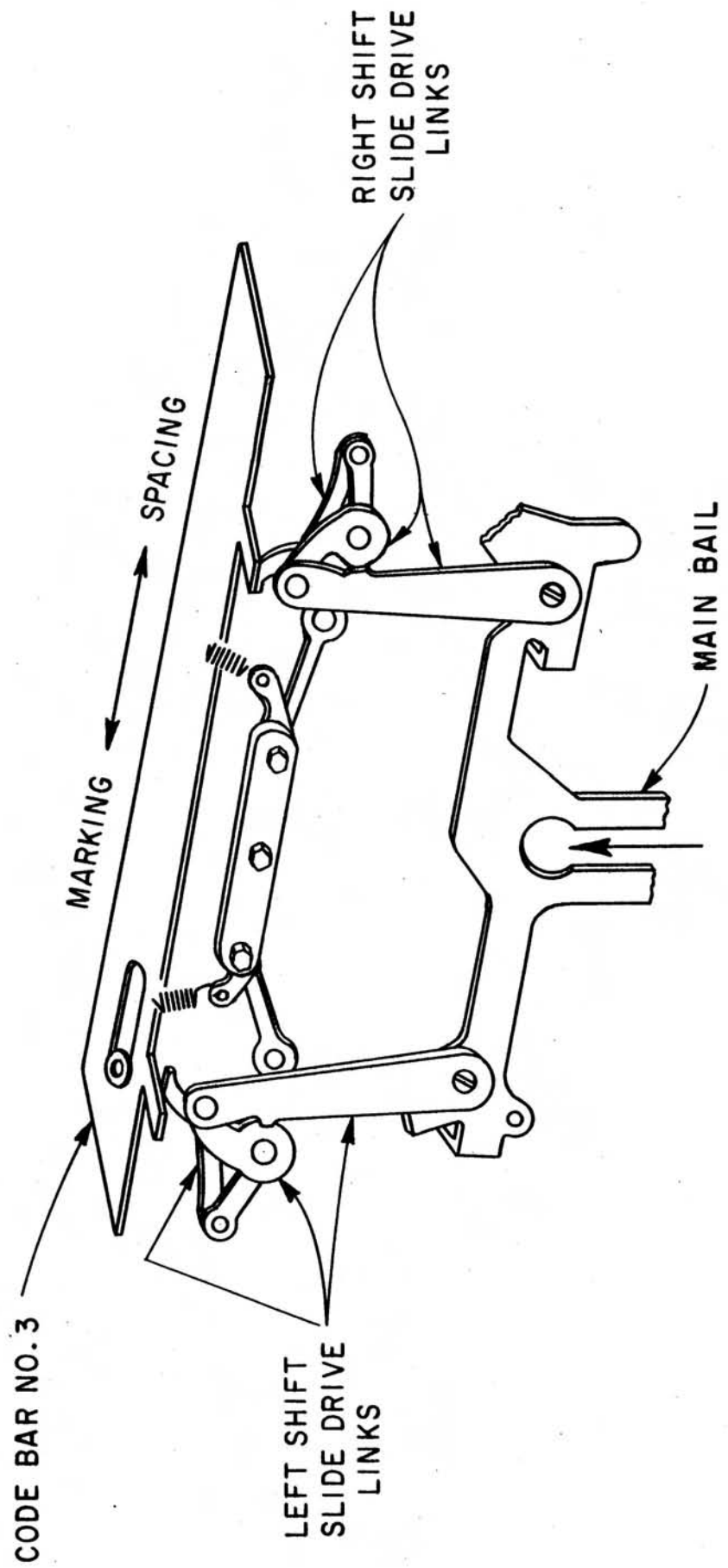


FIGURE 3 - CONTROL OF RIGHT OR LEFT MOVEMENT BY NO. 3 CODE BAR

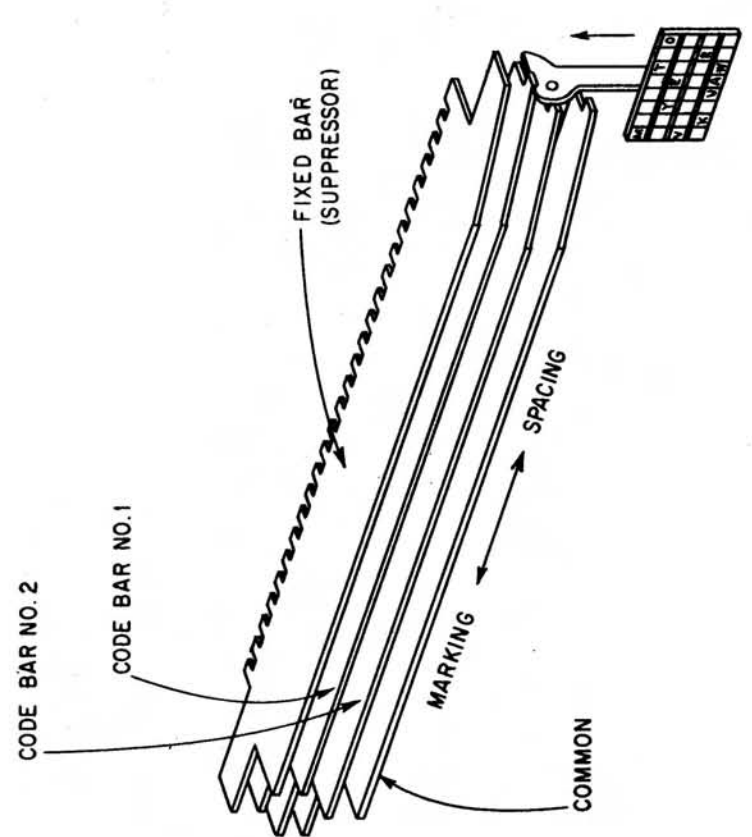
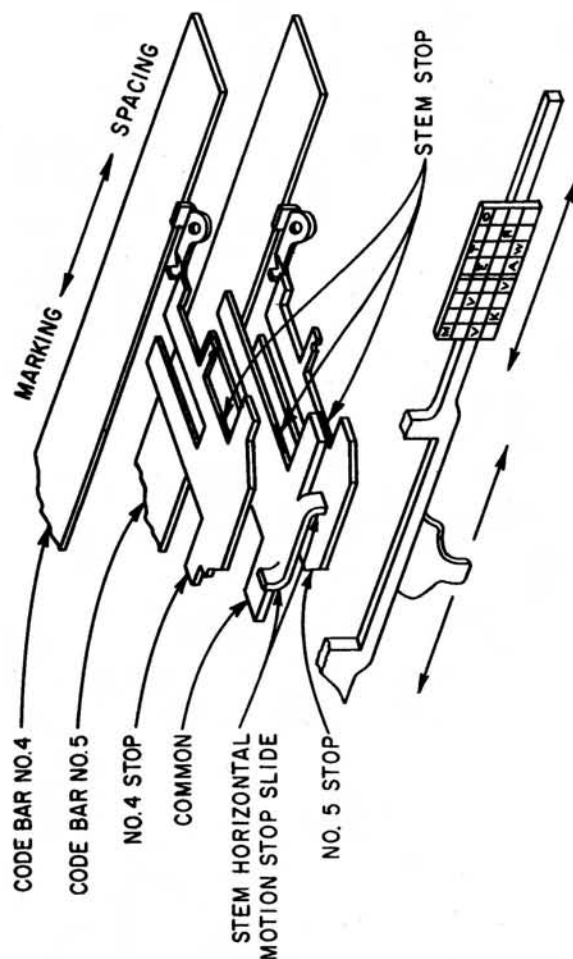


FIGURE 4 - VERTICAL AND HORIZONTAL POSITIONING OF TYPE BOX

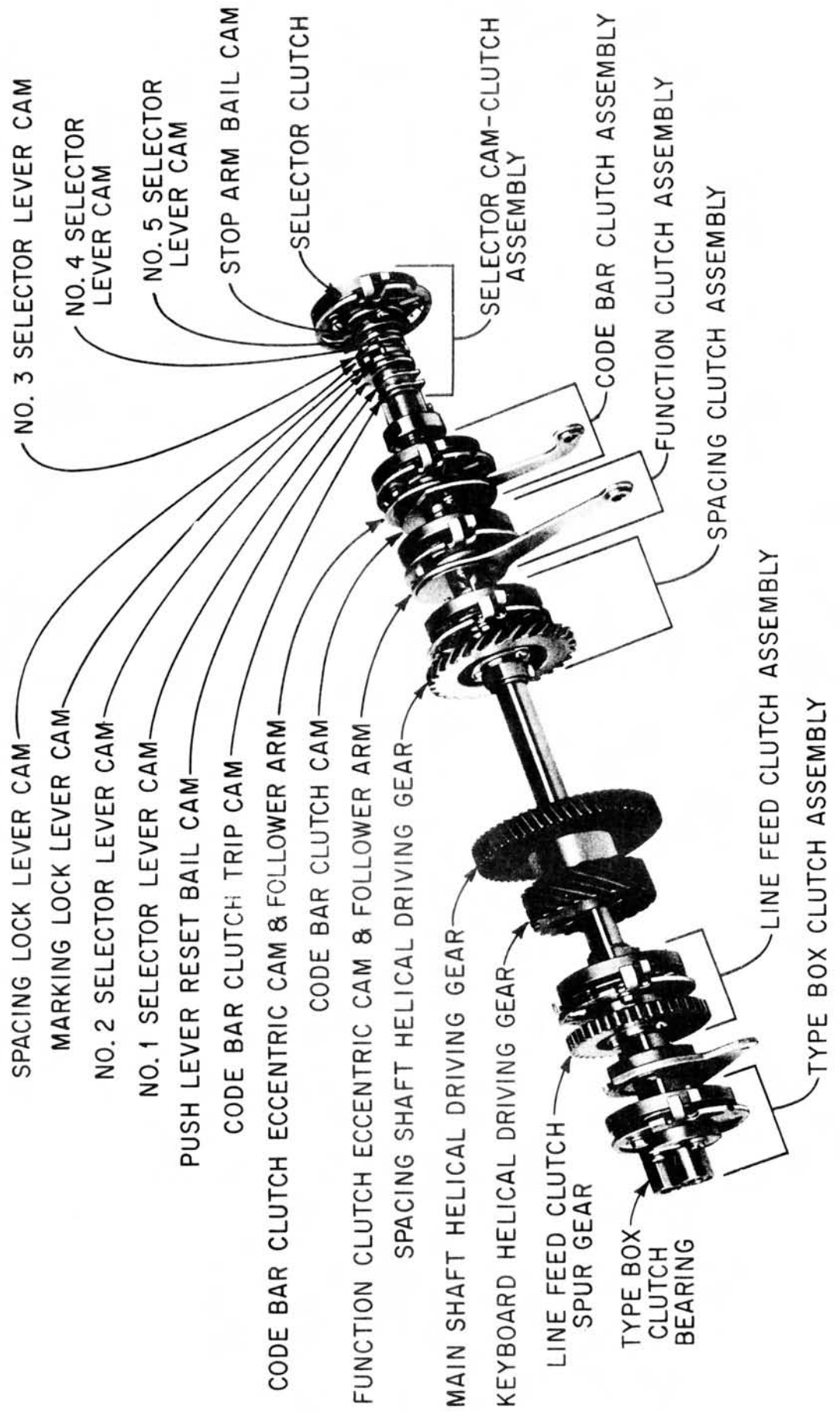


FIGURE 5. TYPING UNIT MAIN SHAFT

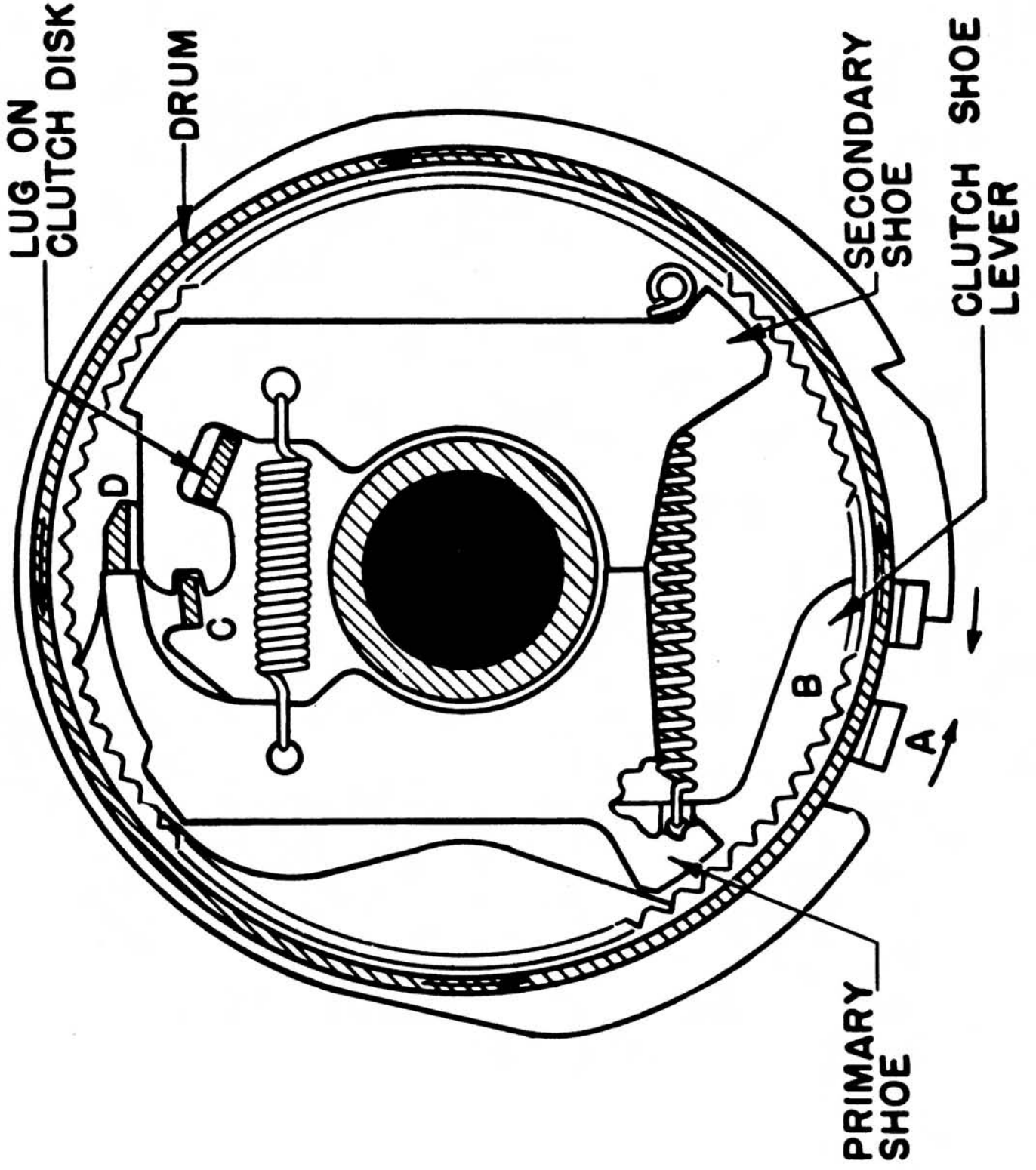


FIGURE 6. CLUTCH DISENGAGED

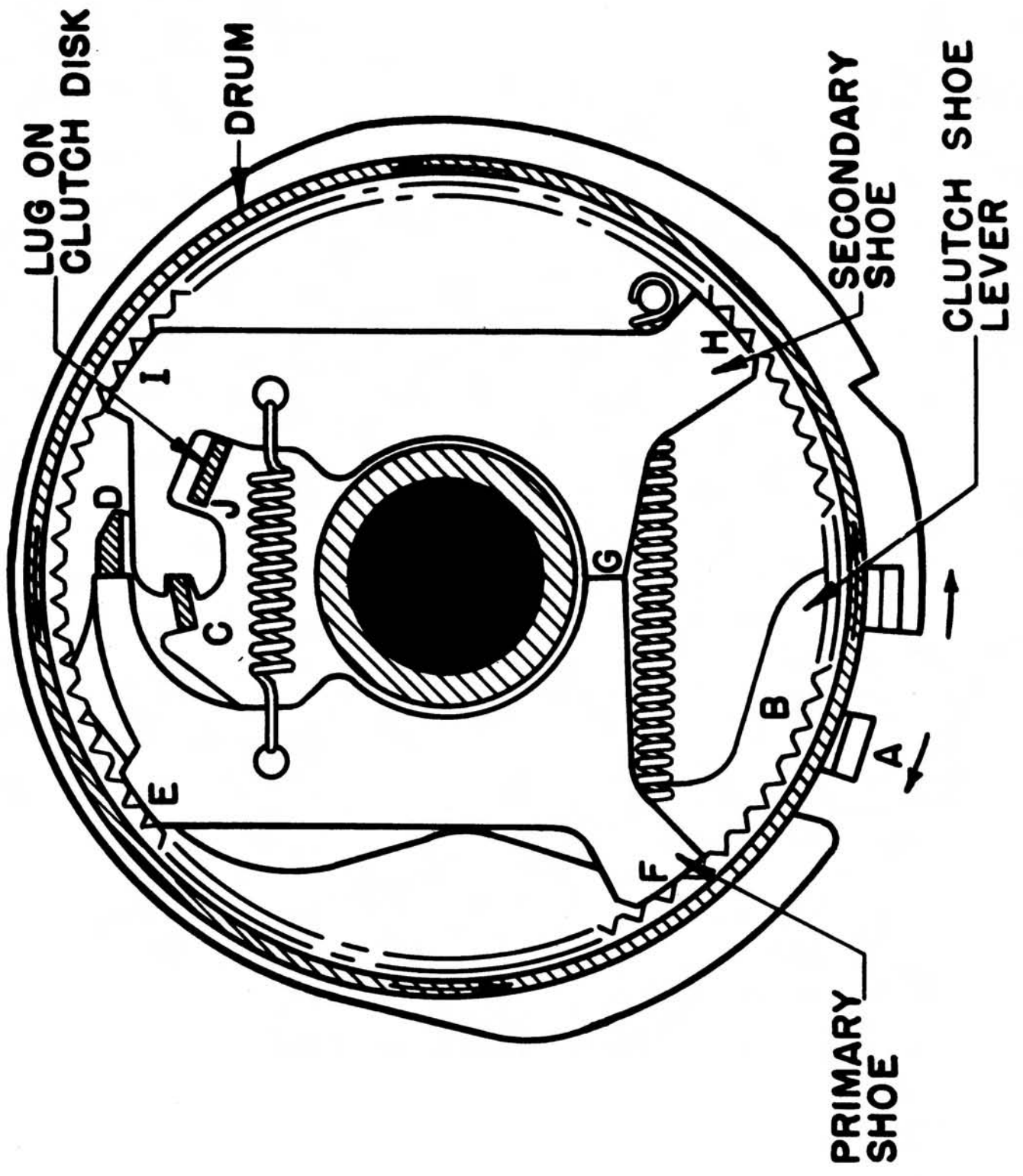


FIGURE 7. CLUTCH ENGAGED

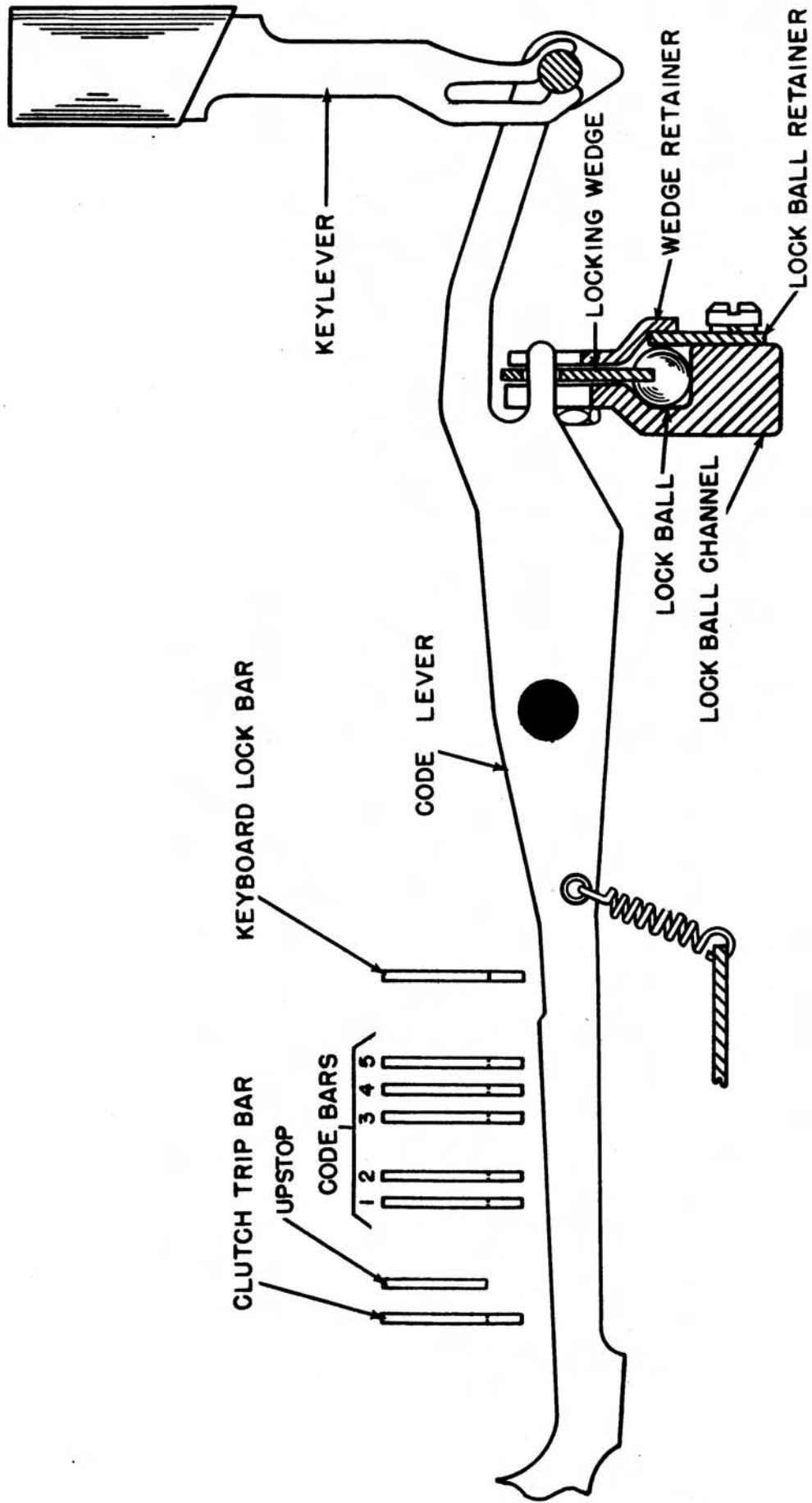


FIGURE 8. CODE BAR ARRANGEMENT

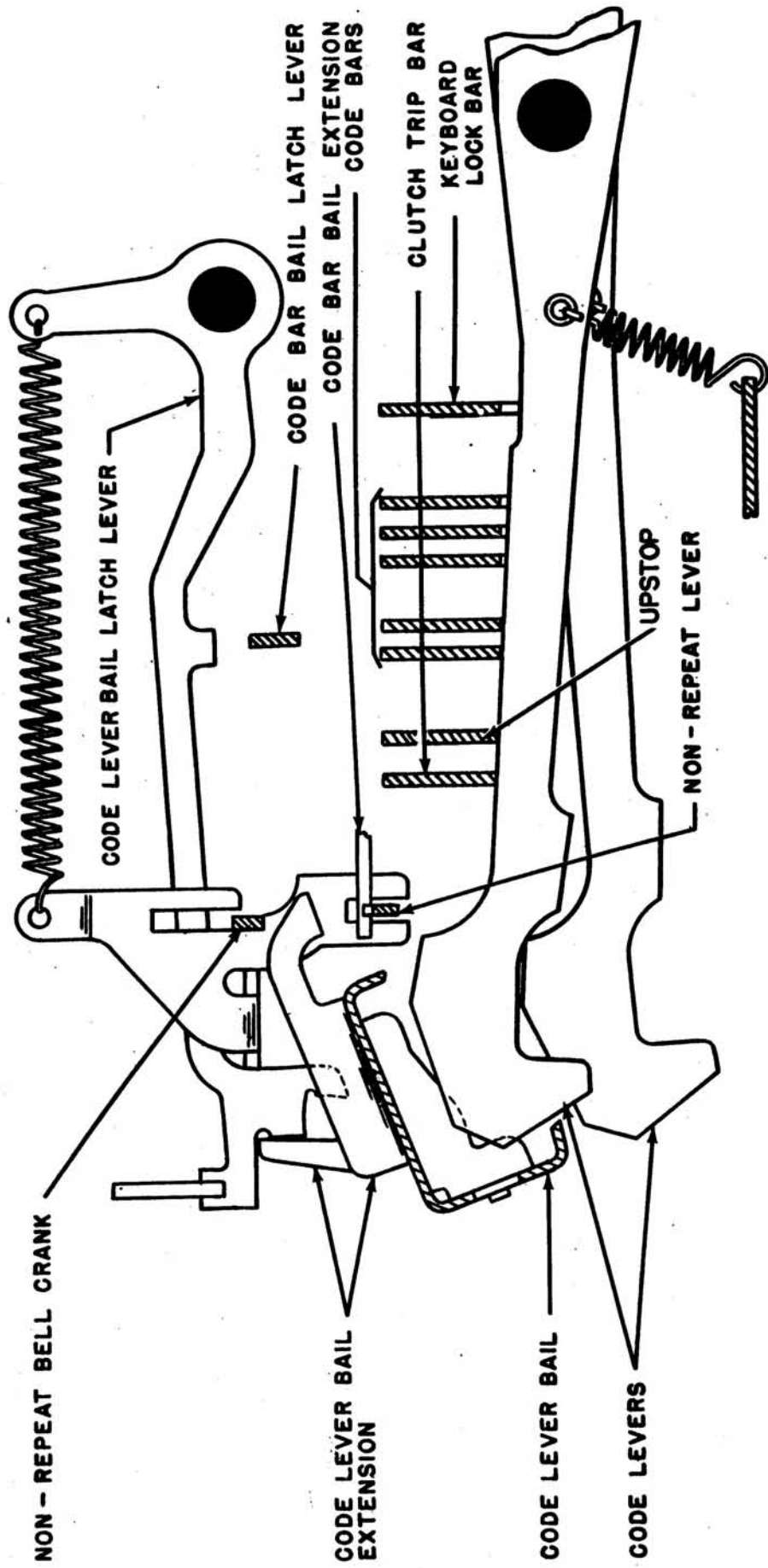


FIGURE 9. KEY LEVER MECHANISM, SELECTED POSITION

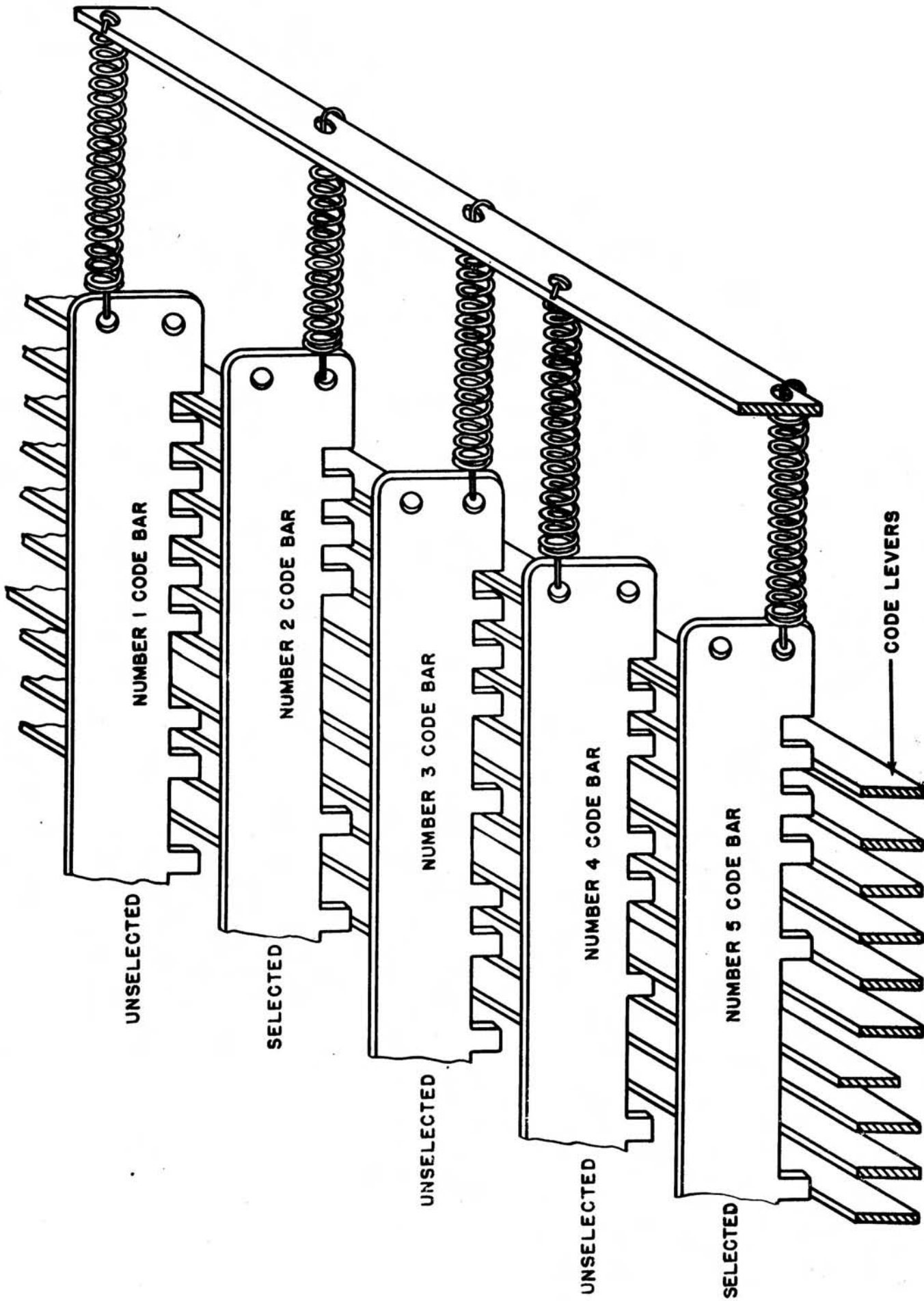


FIGURE 10. CODE BAR SELECTION

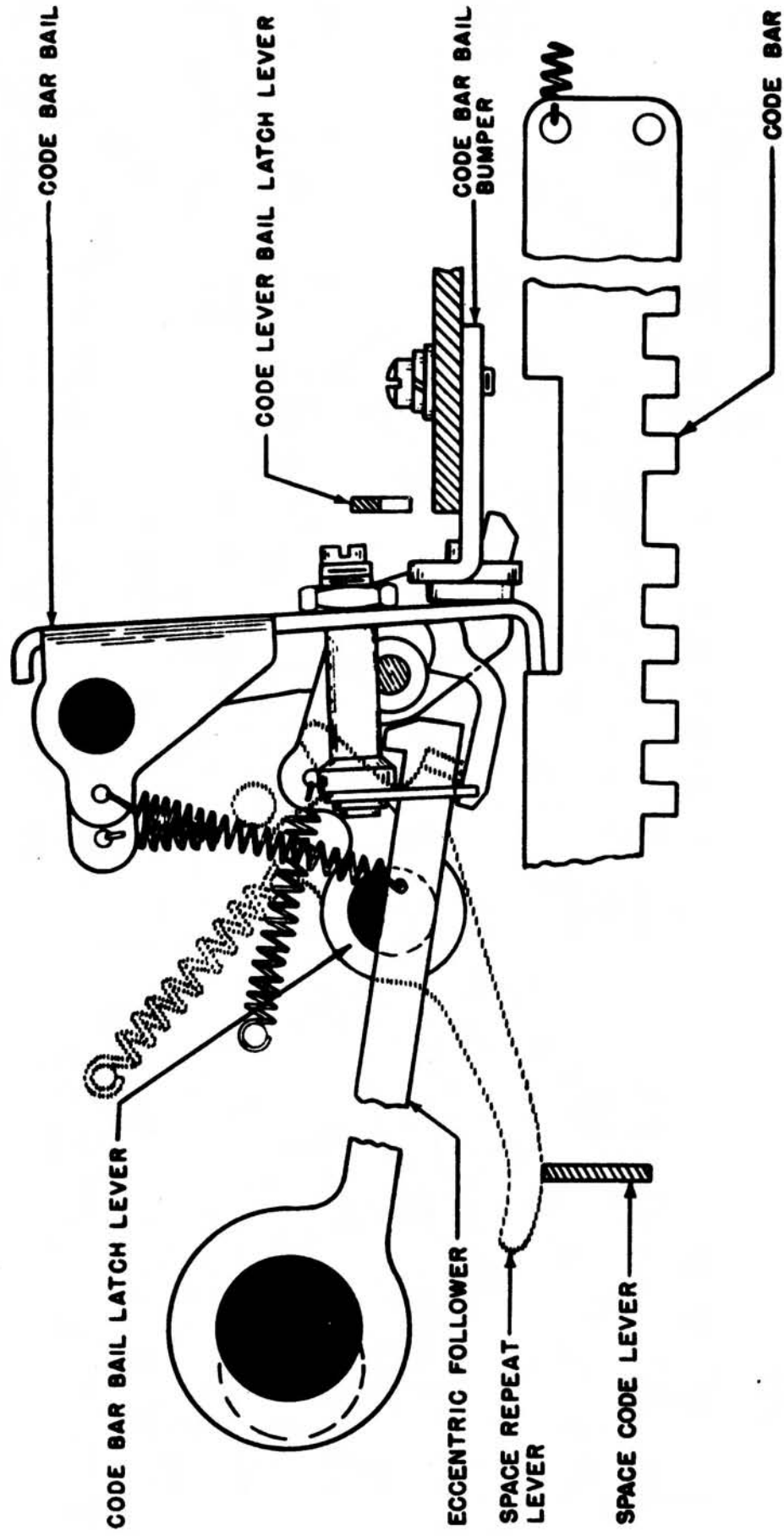


FIGURE 11. CODE BAR BAIL MECHANISM, RELEASED POSITION

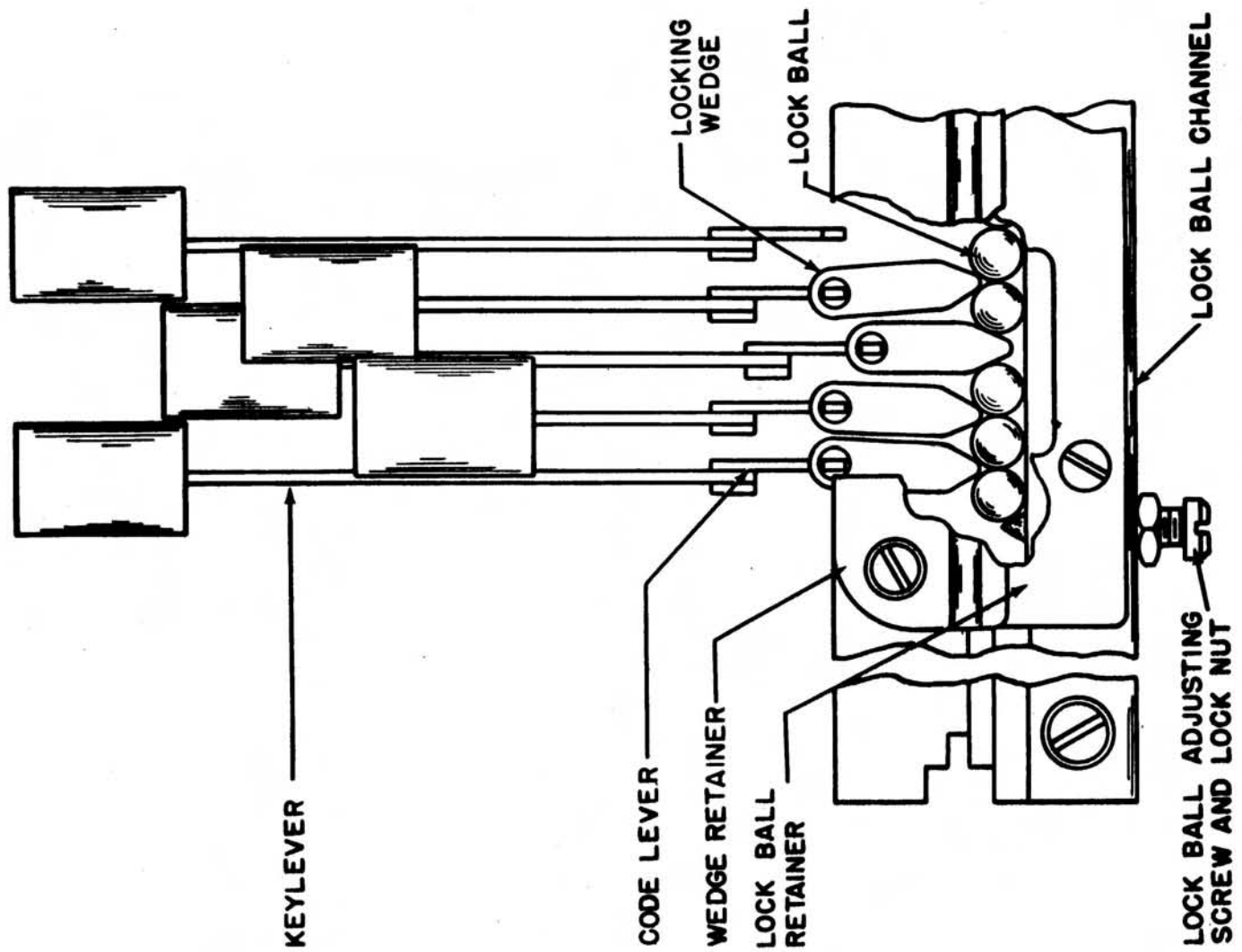


FIGURE 12. KEY LEVER LOCK BALL MECHANISM

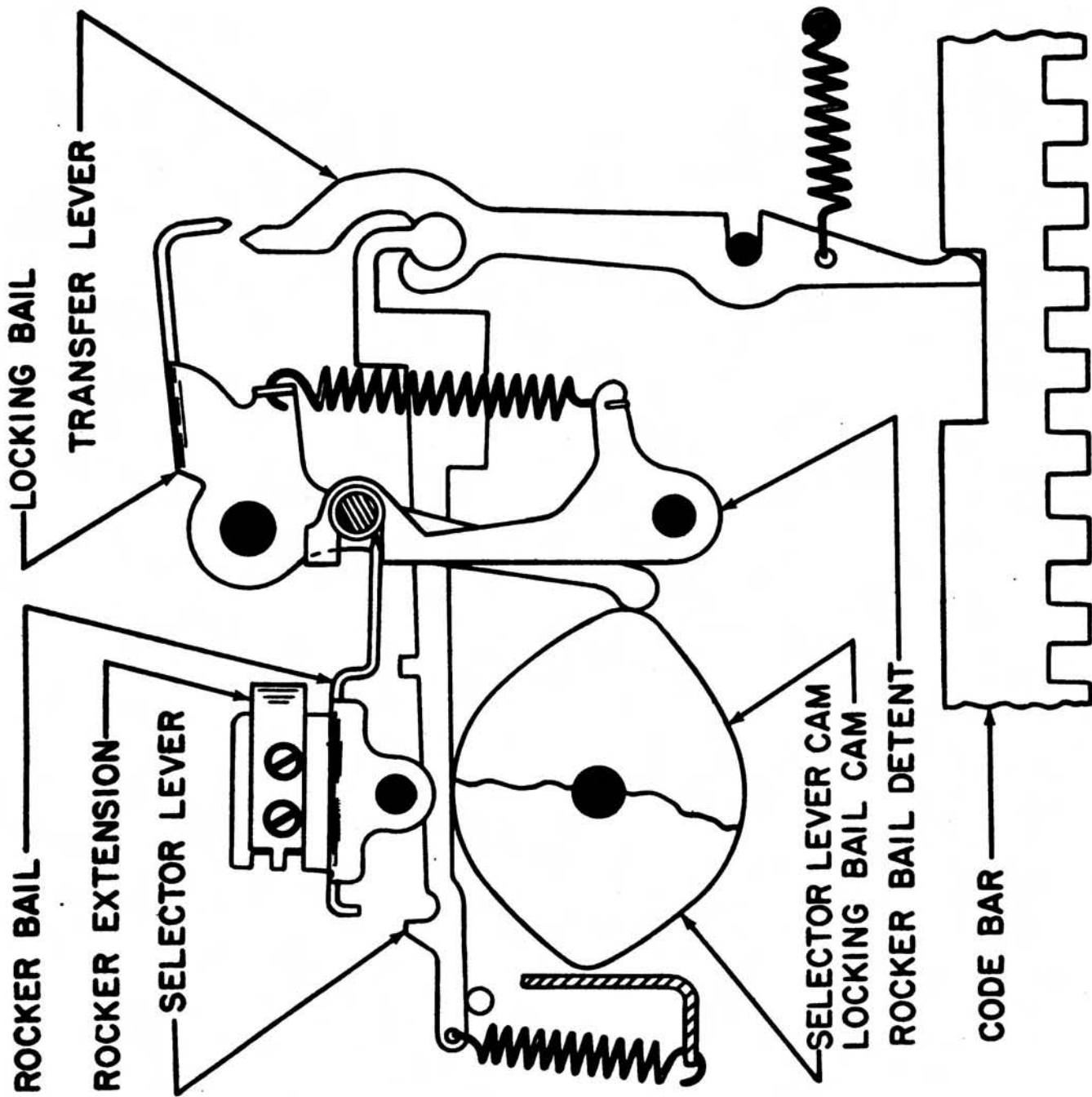
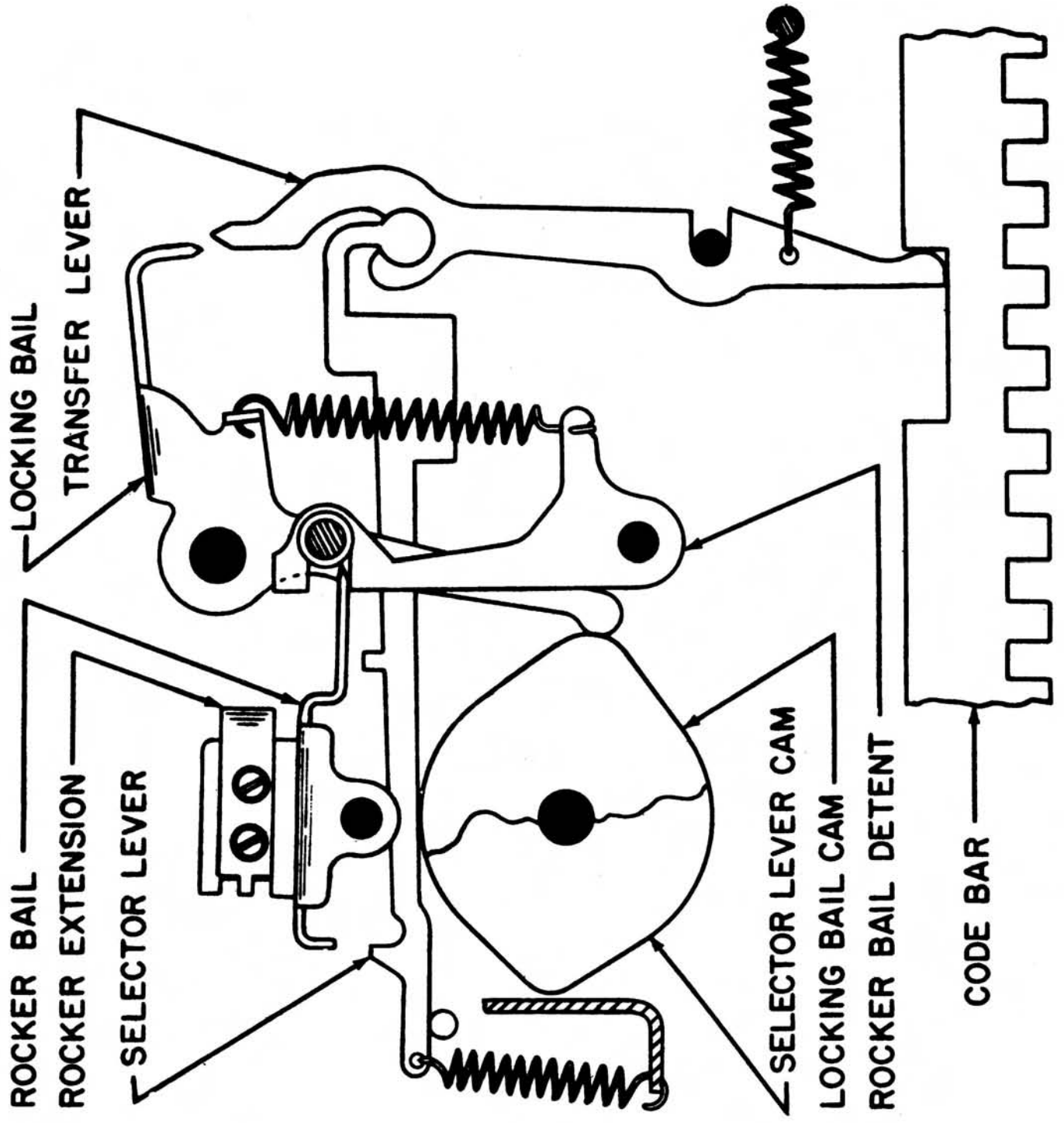


FIGURE 13. SIGNAL GENERATOR MECHANISM, FRONT VIEW



ROCKER BAIL

ROCKER EXTENSION

SELECTOR LEVER

LOCKING BAIL

TRANSFER LEVER

SELECTOR LEVER CAM

LOCKING BAIL CAM

ROCKER BAIL DETENT

CODE BAR

FIGURE 14. SIGNAL GENERATOR MECHANISM, FRONT VIEW

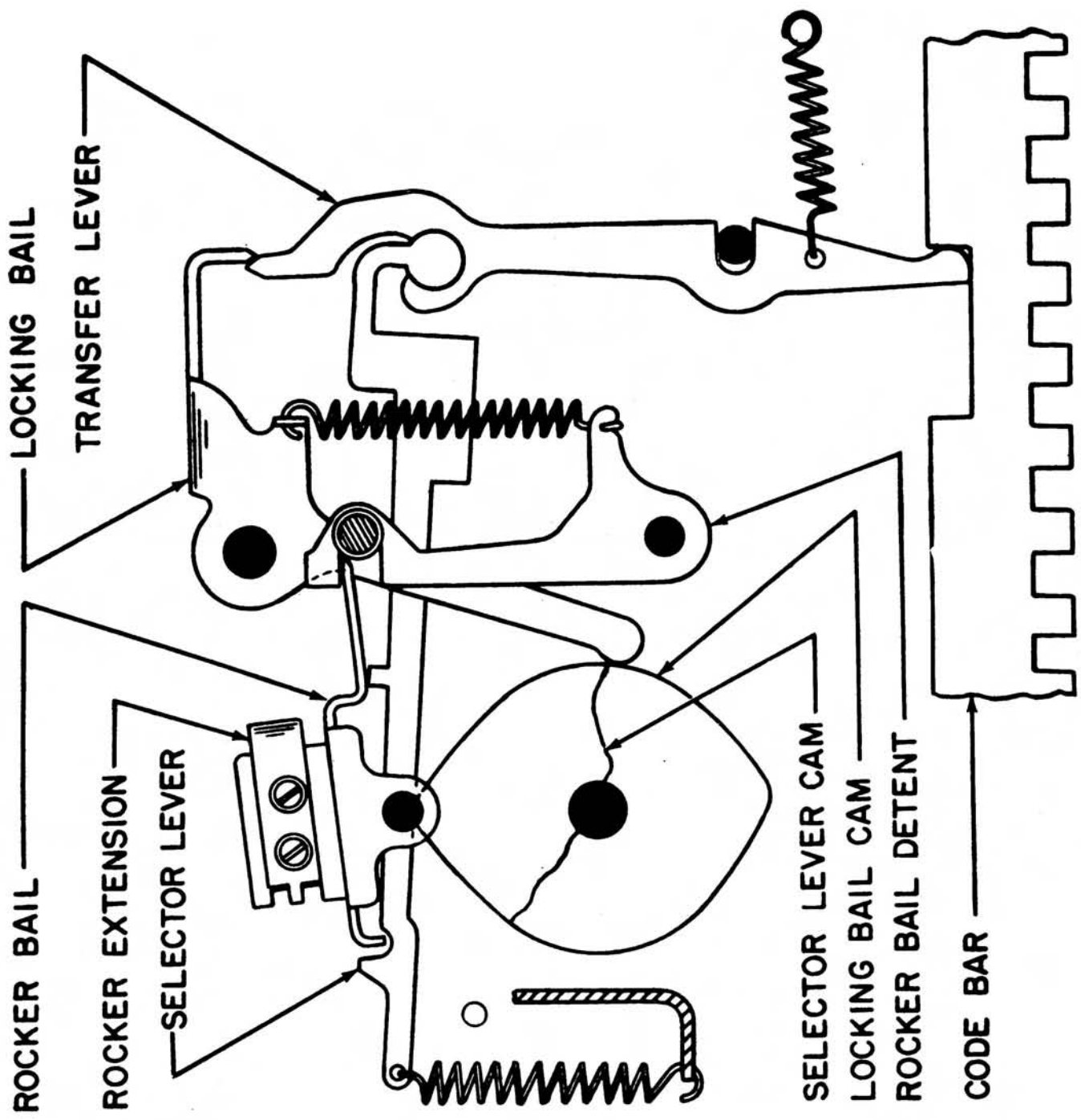


FIGURE 15. SIGNAL GENERATOR MECHANISM, FRONT VIEW

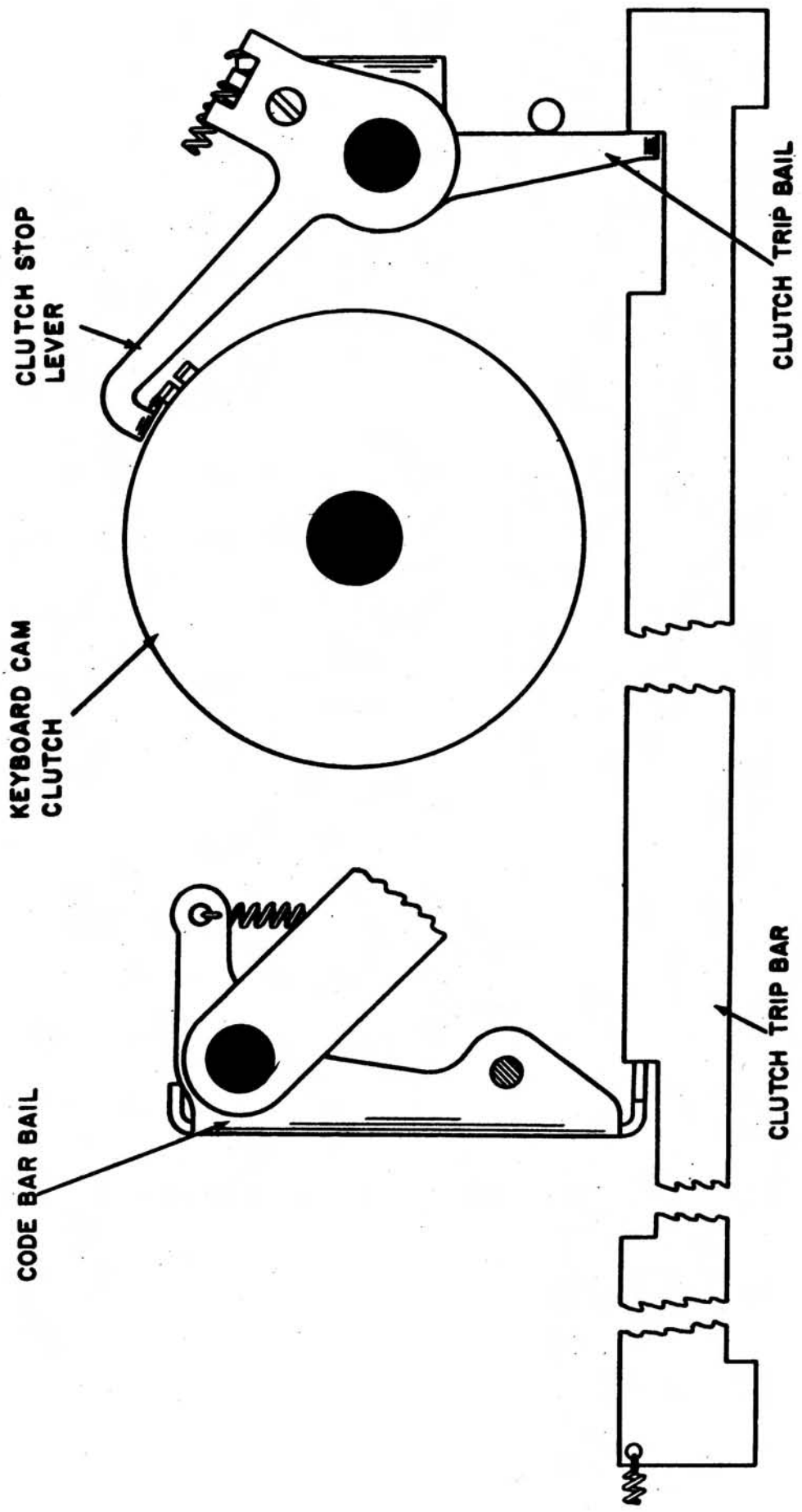


FIGURE 16. CLUTCH TRIP MECHANISM, REAR VIEW

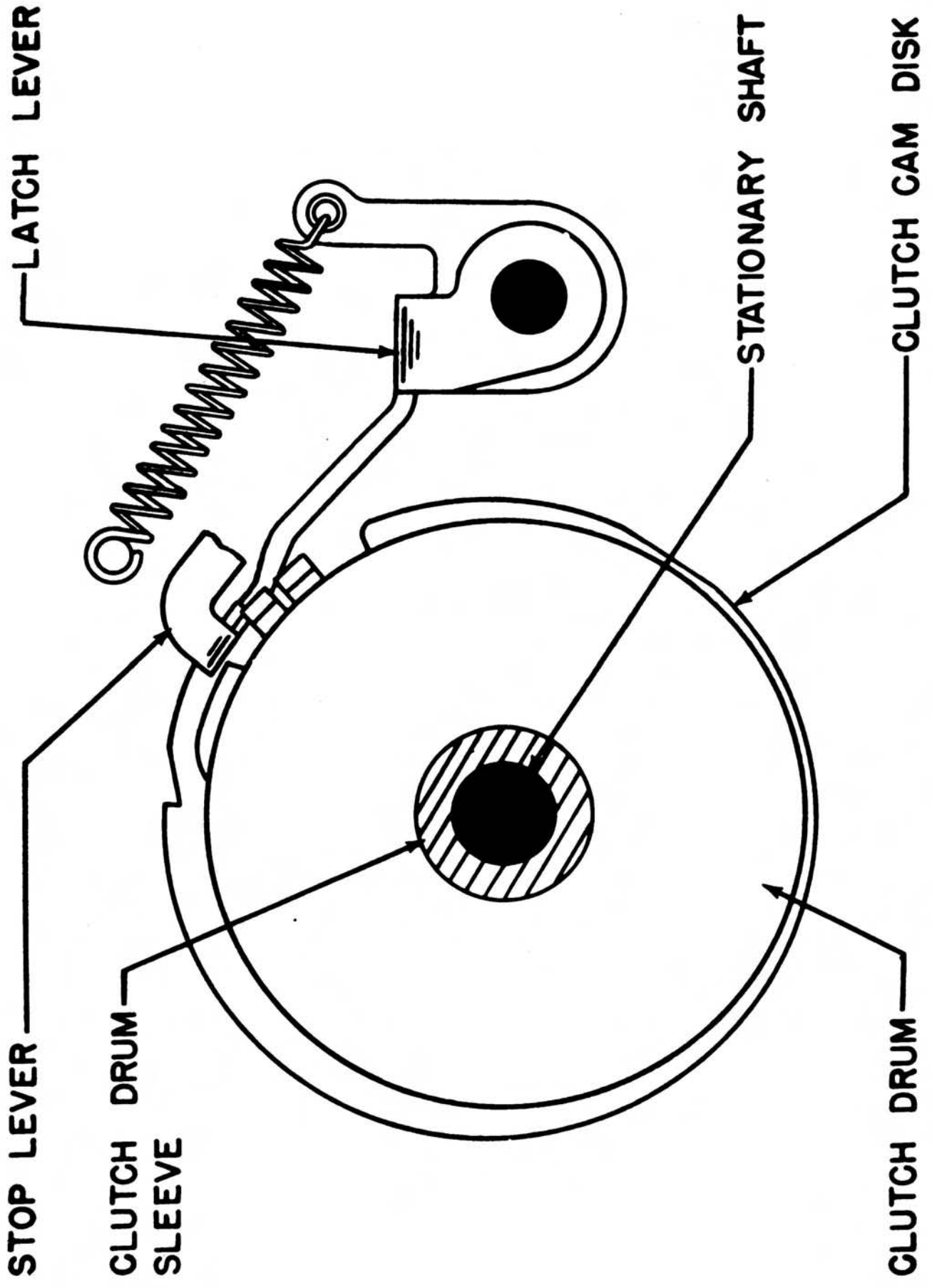


FIGURE 17. KEYBOARD CLUTCH LATCH MECHANISM

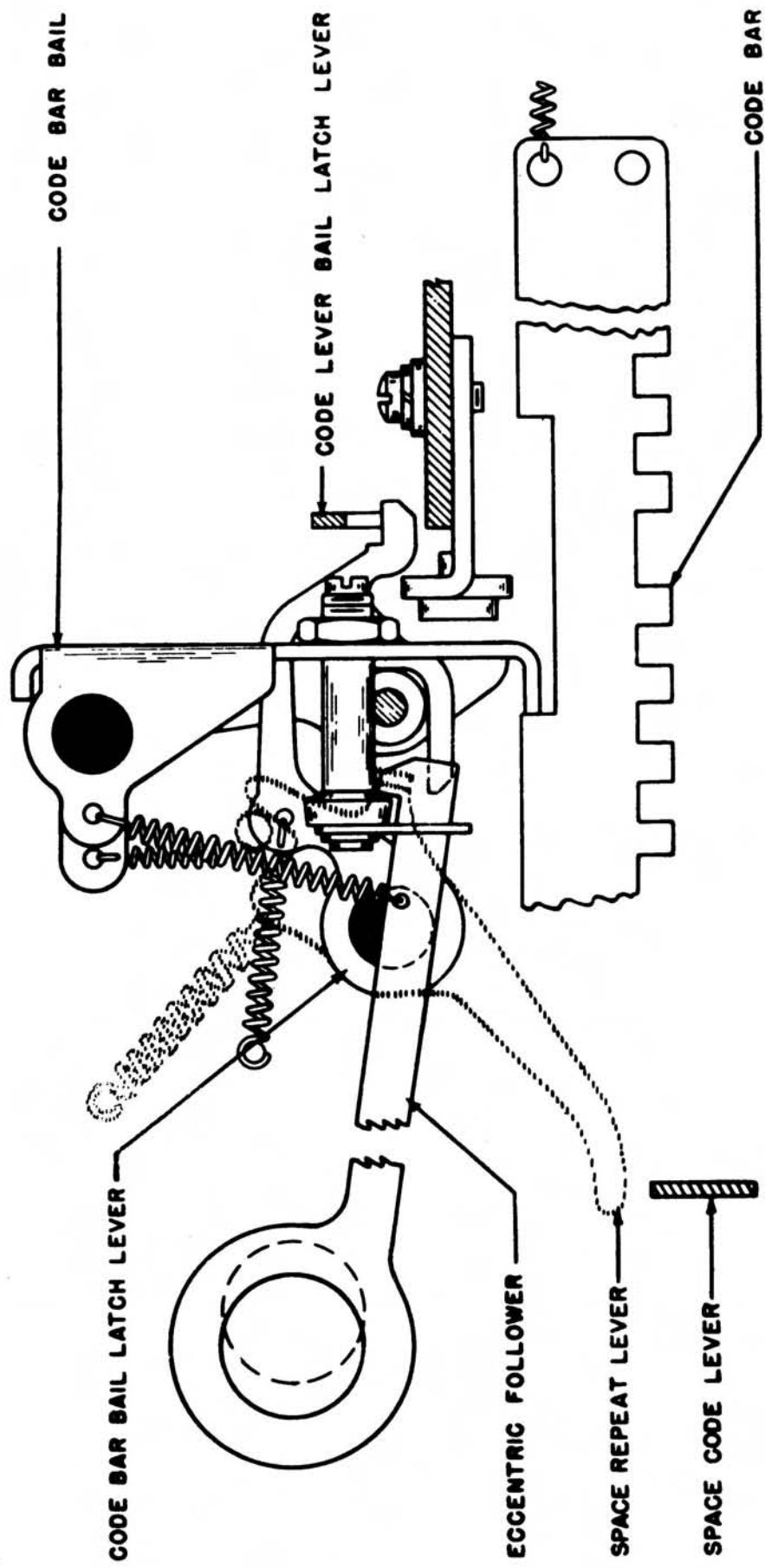


FIGURE 18. CODE BAR BAIL MECHANISM, RESET POSITION

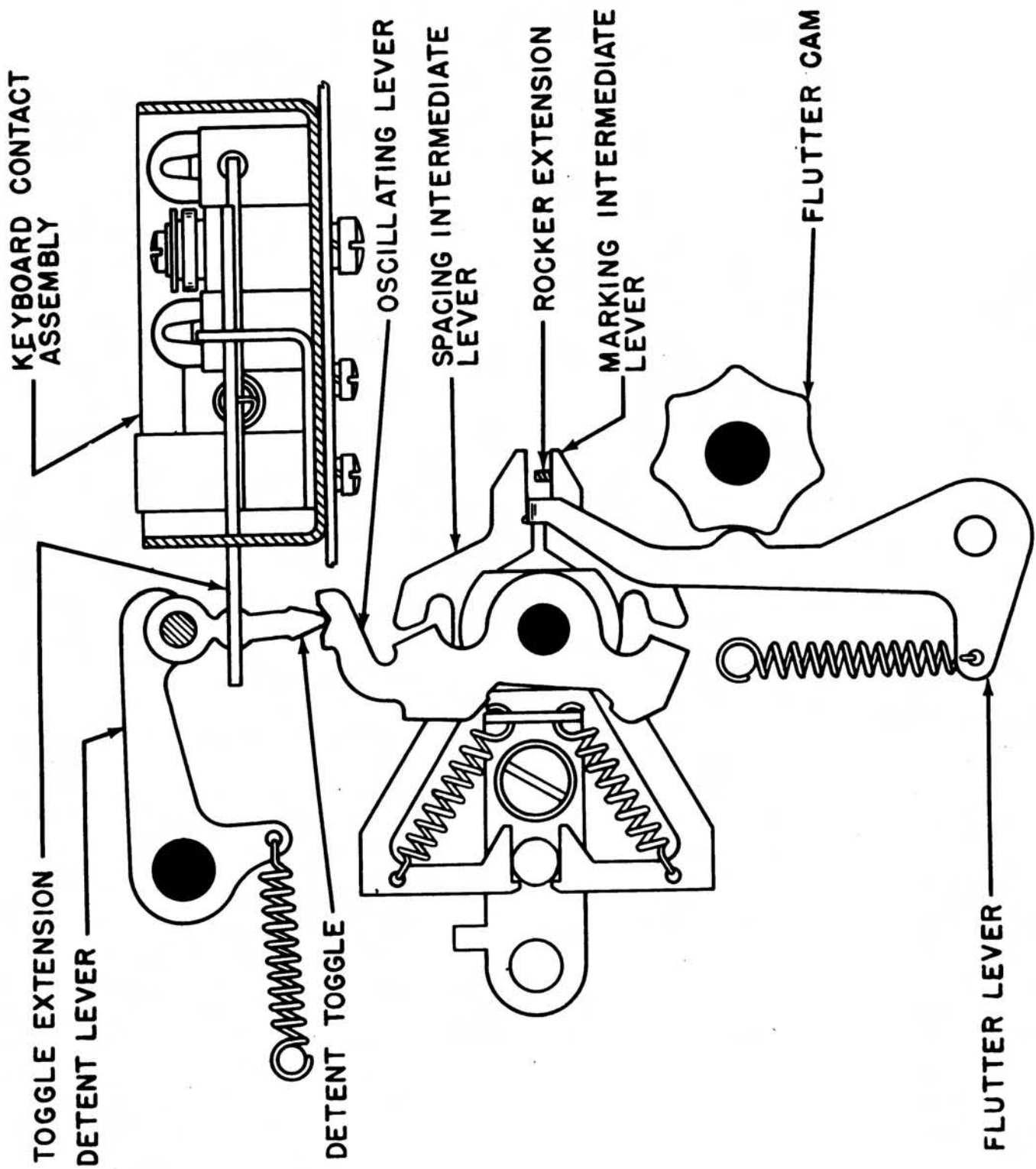


FIGURE 19. SIGNAL GENERATOR, REAR VIEW, STOP POSITION

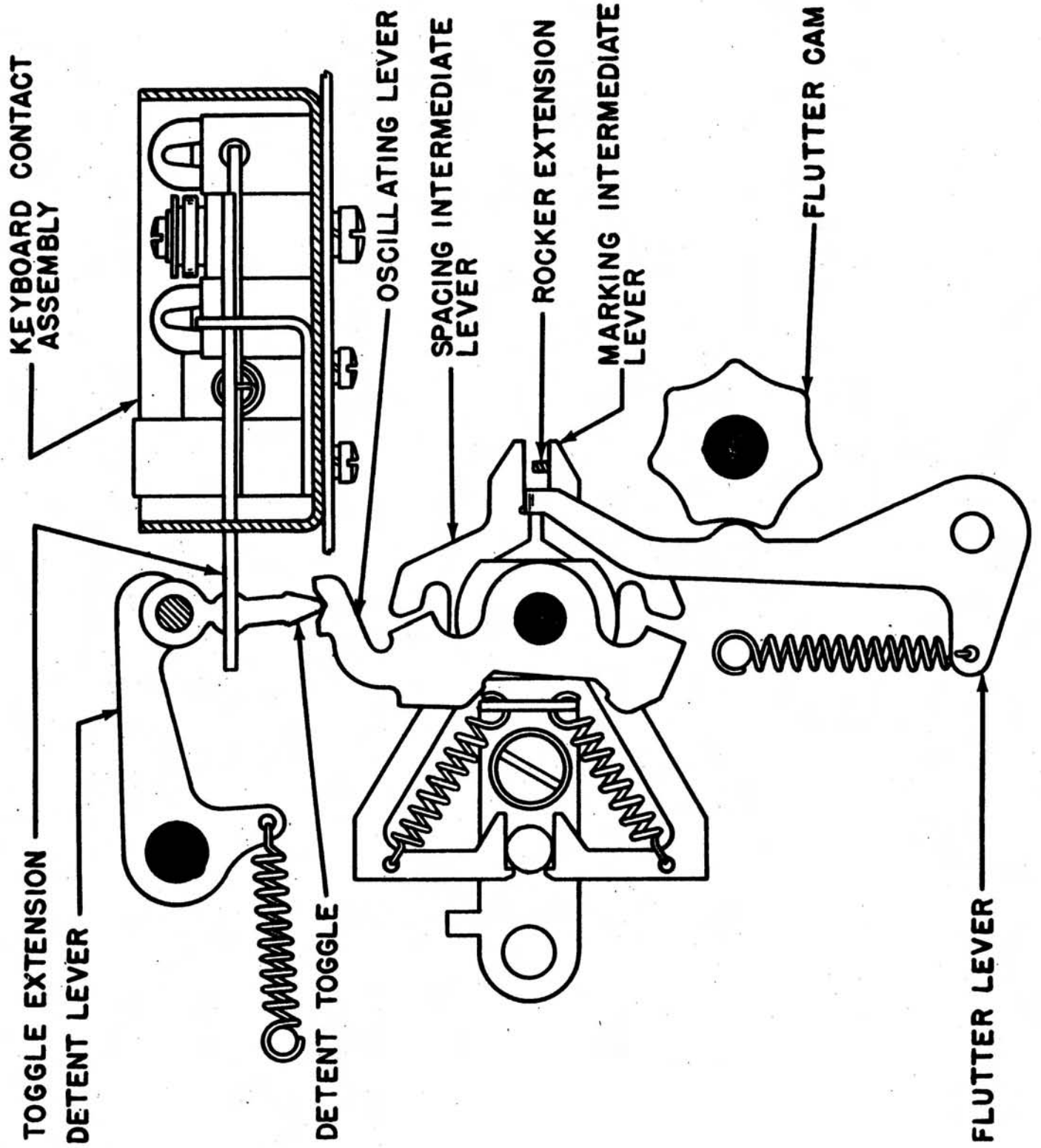


FIGURE 20. SIGNAL GENERATOR, REAR VIEW, SPACING POSITION

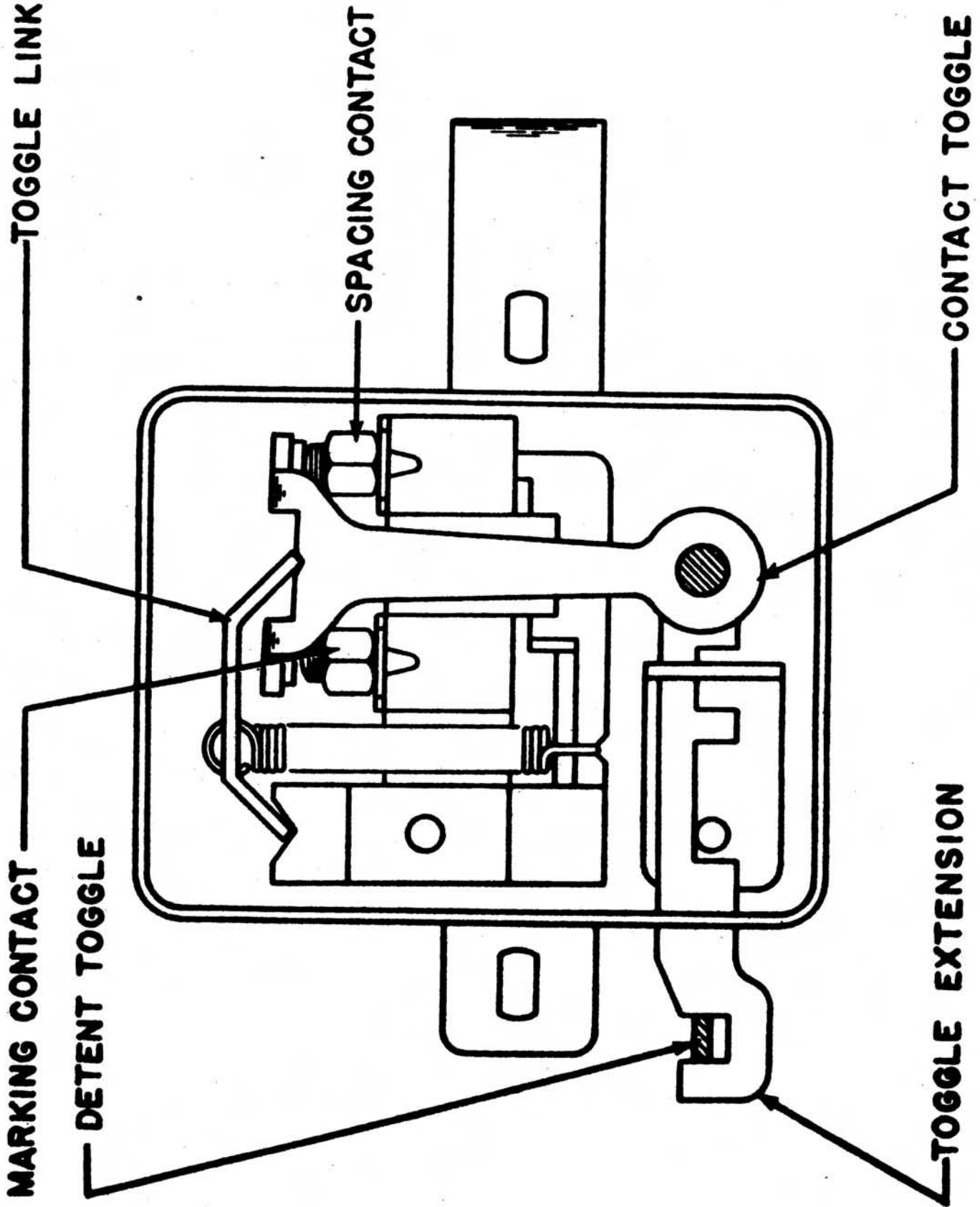


FIGURE 21. CONTACT ASSEMBLY, SPACING POSITION

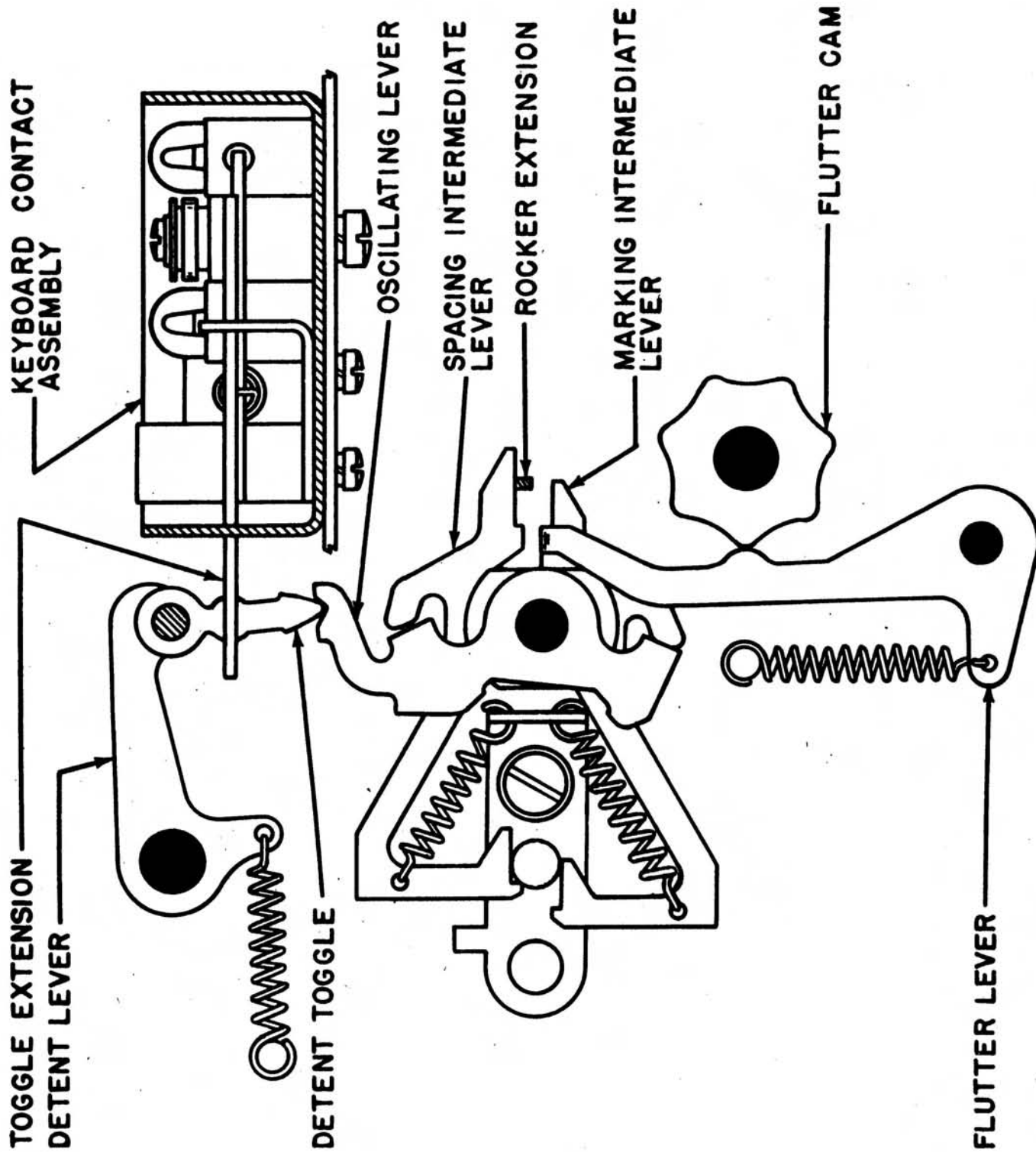


FIGURE 22. SIGNAL GENERATOR, REAR VIEW, MARKING POSITION

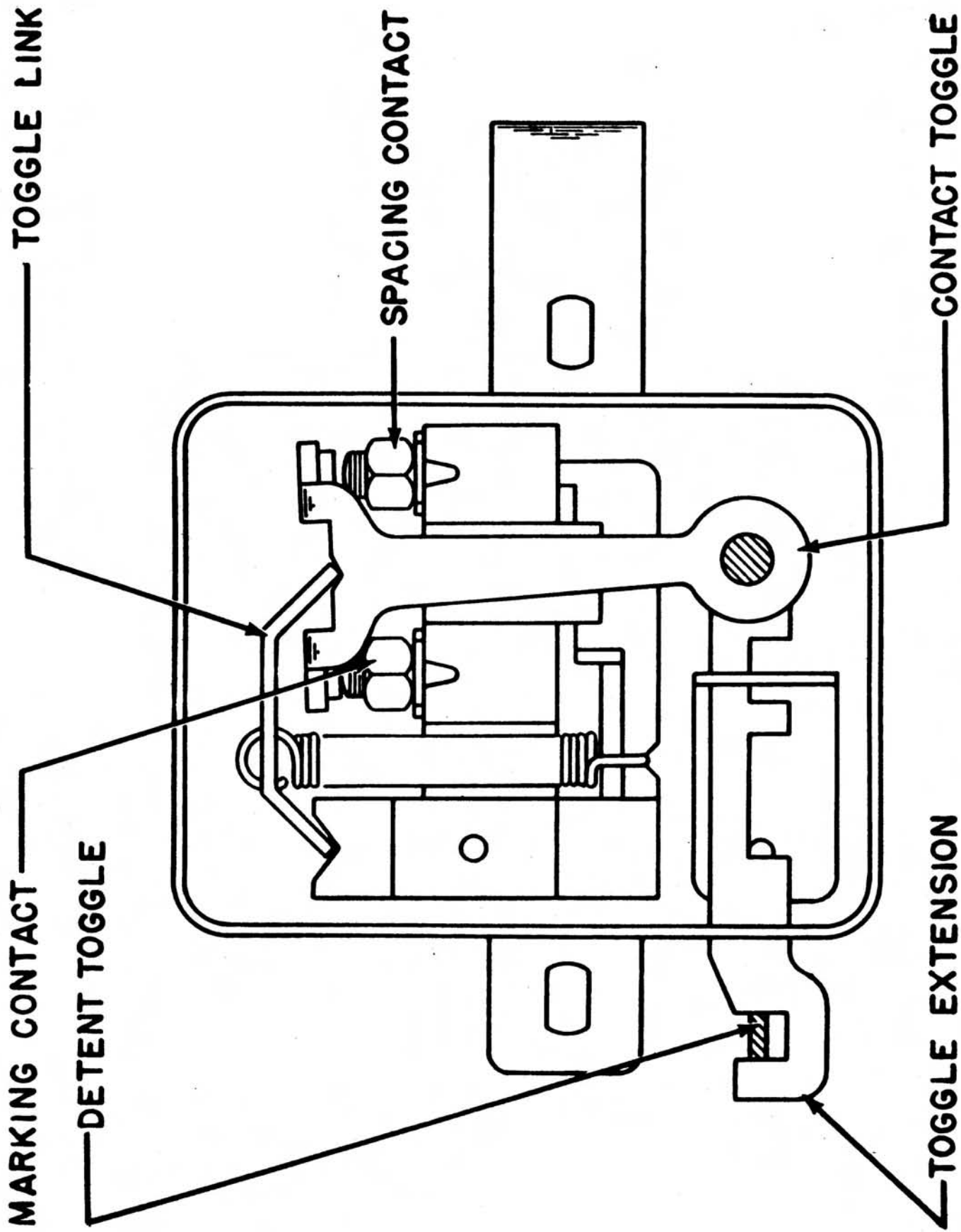


FIGURE 23. CONTACT ASSEMBLY, MARKING POSITION

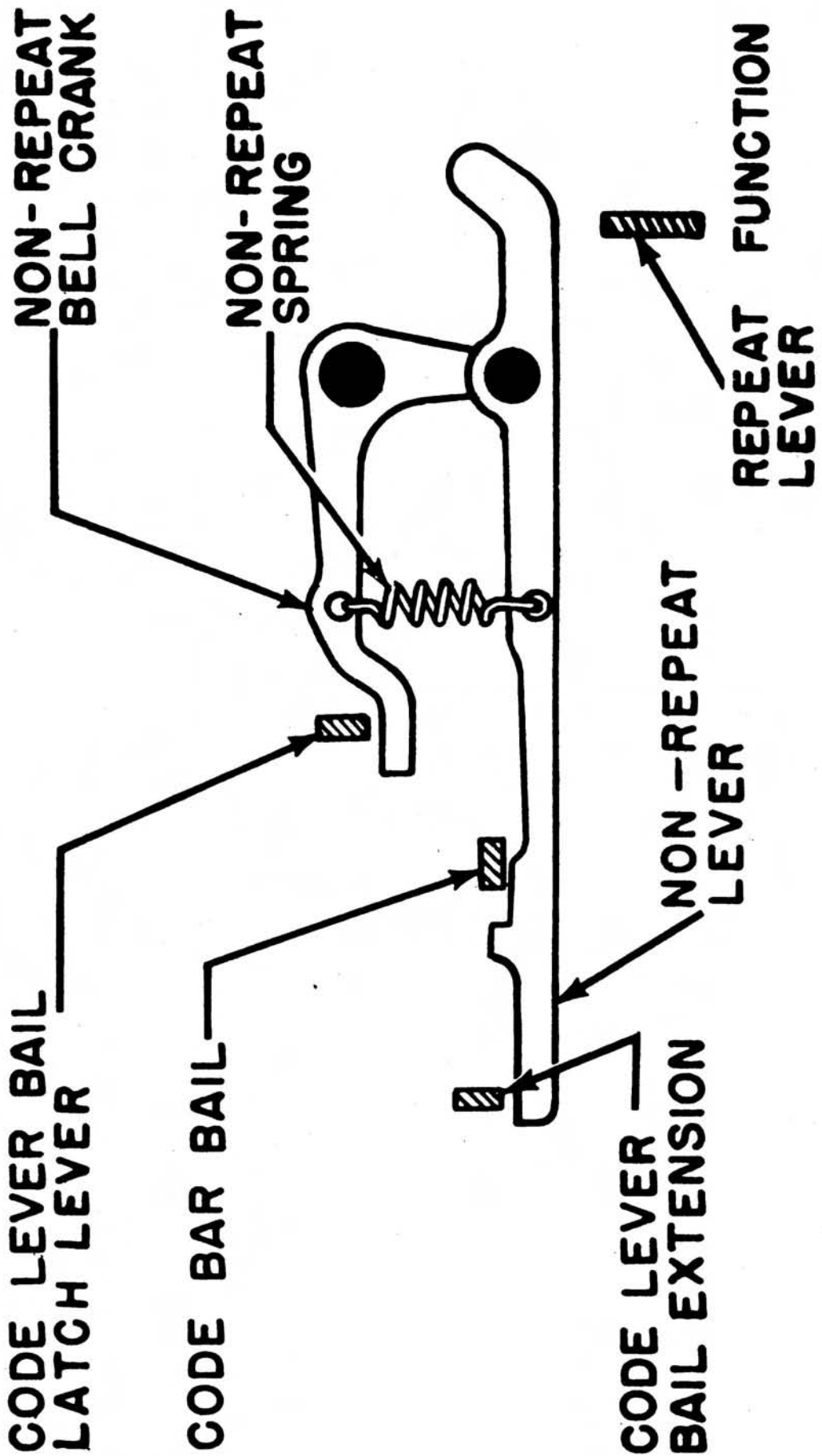


FIGURE 24. NON-REPEAT LEVER MECHANISM

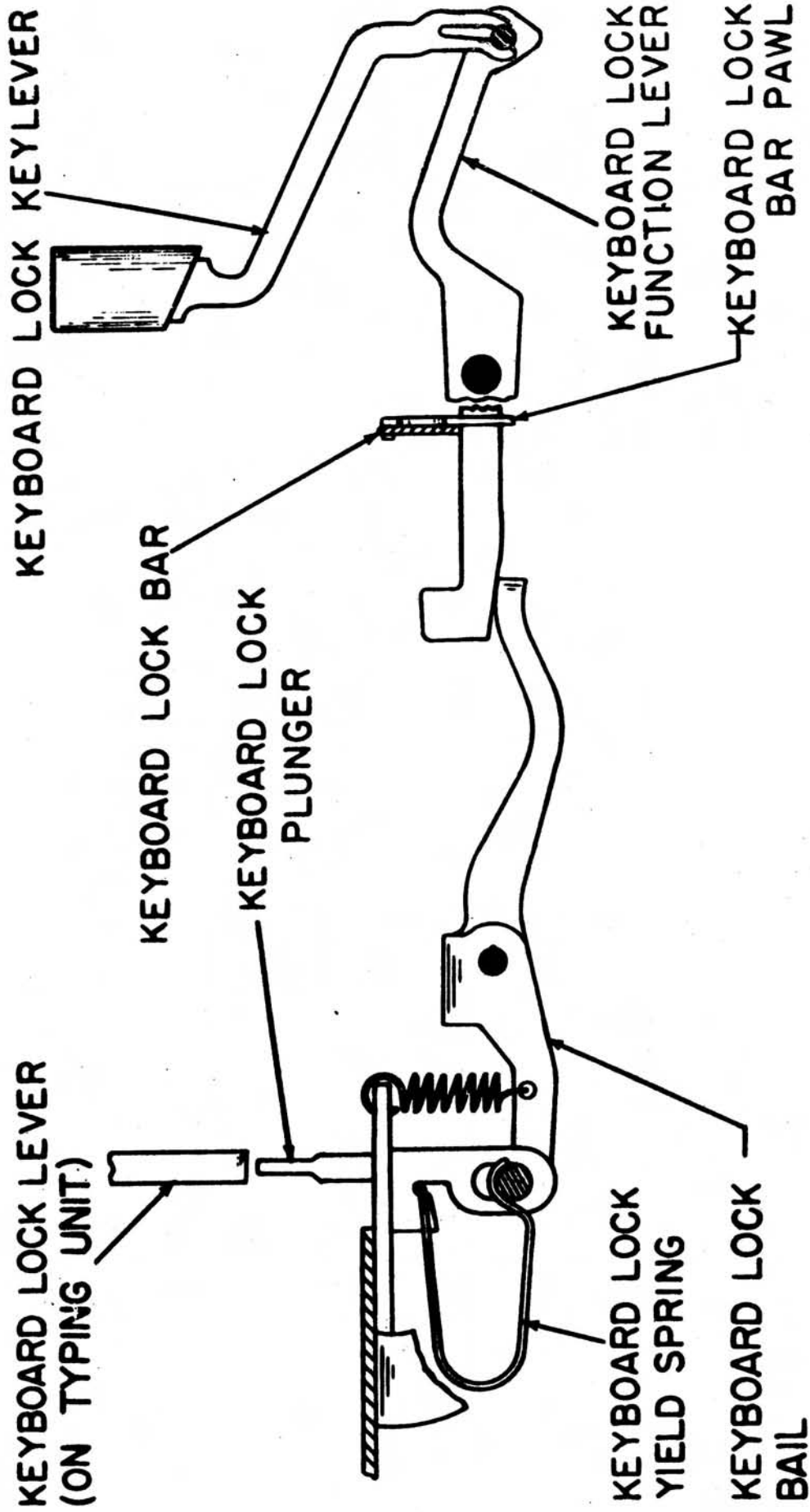


FIGURE 25. KEYBOARD LOCK MECHANISM

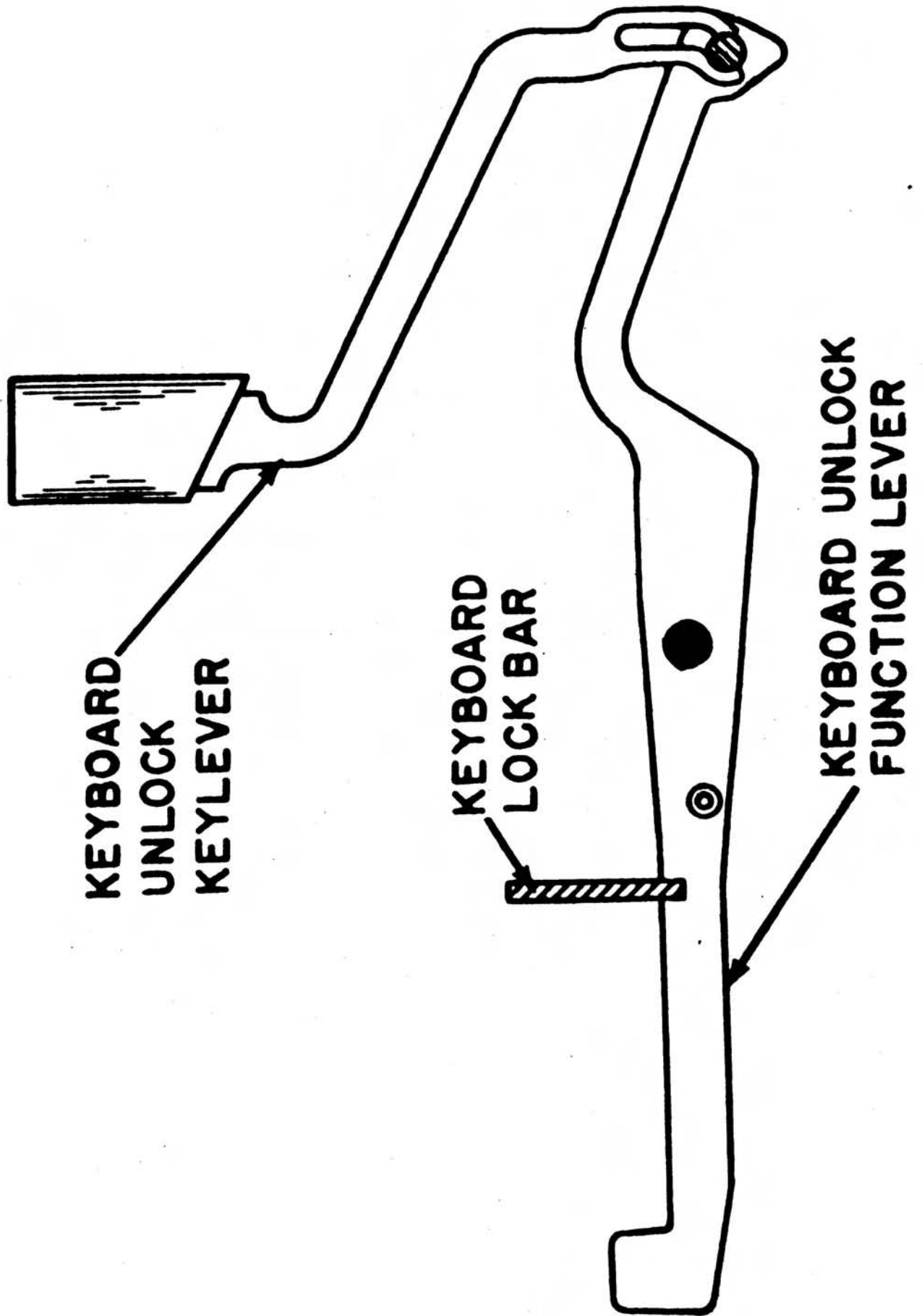


FIGURE 26. KEYBOARD UNLOCK MECHANISM

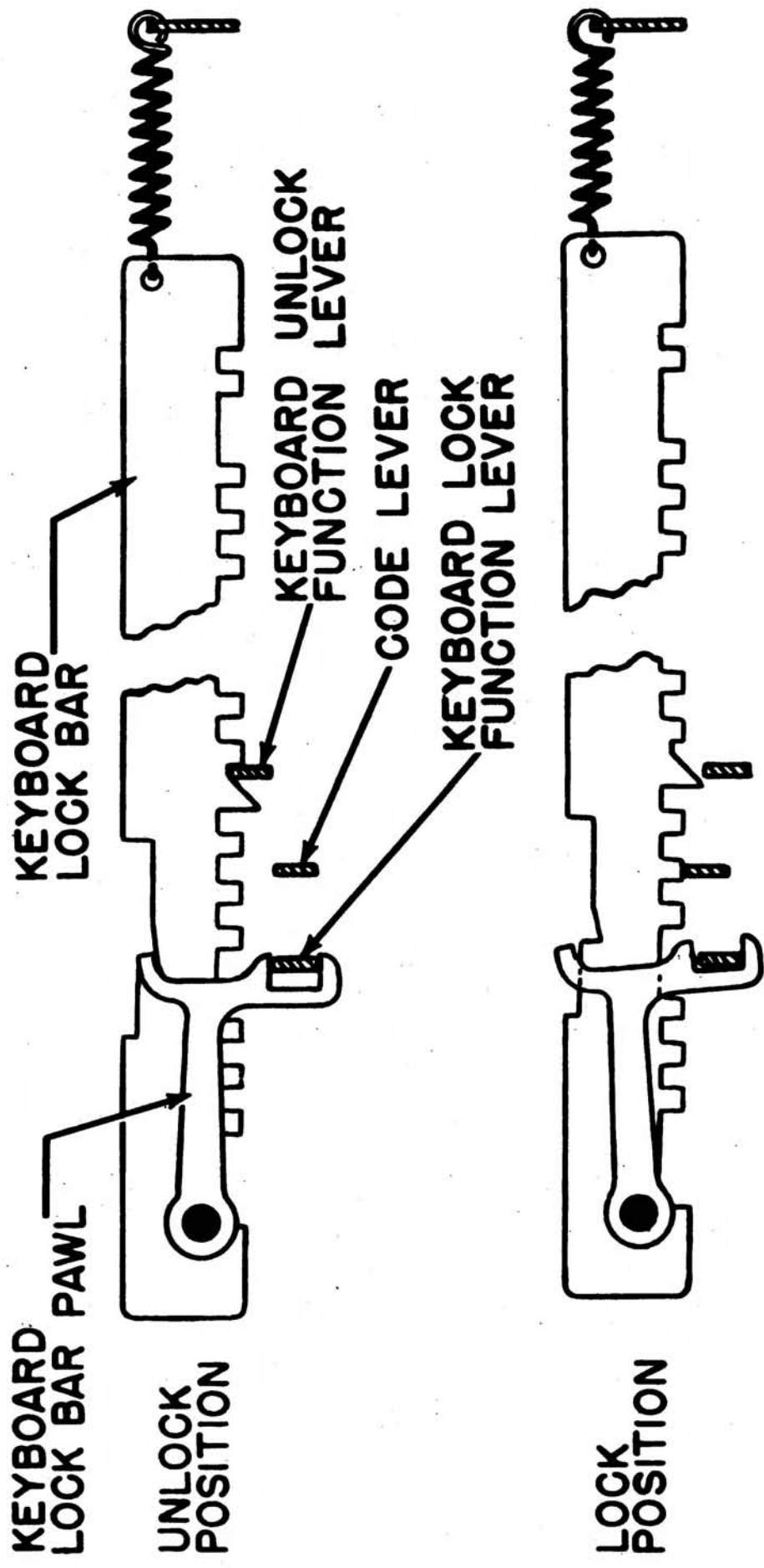


FIGURE 27. KEYBOARD LOCK MECHANISM.

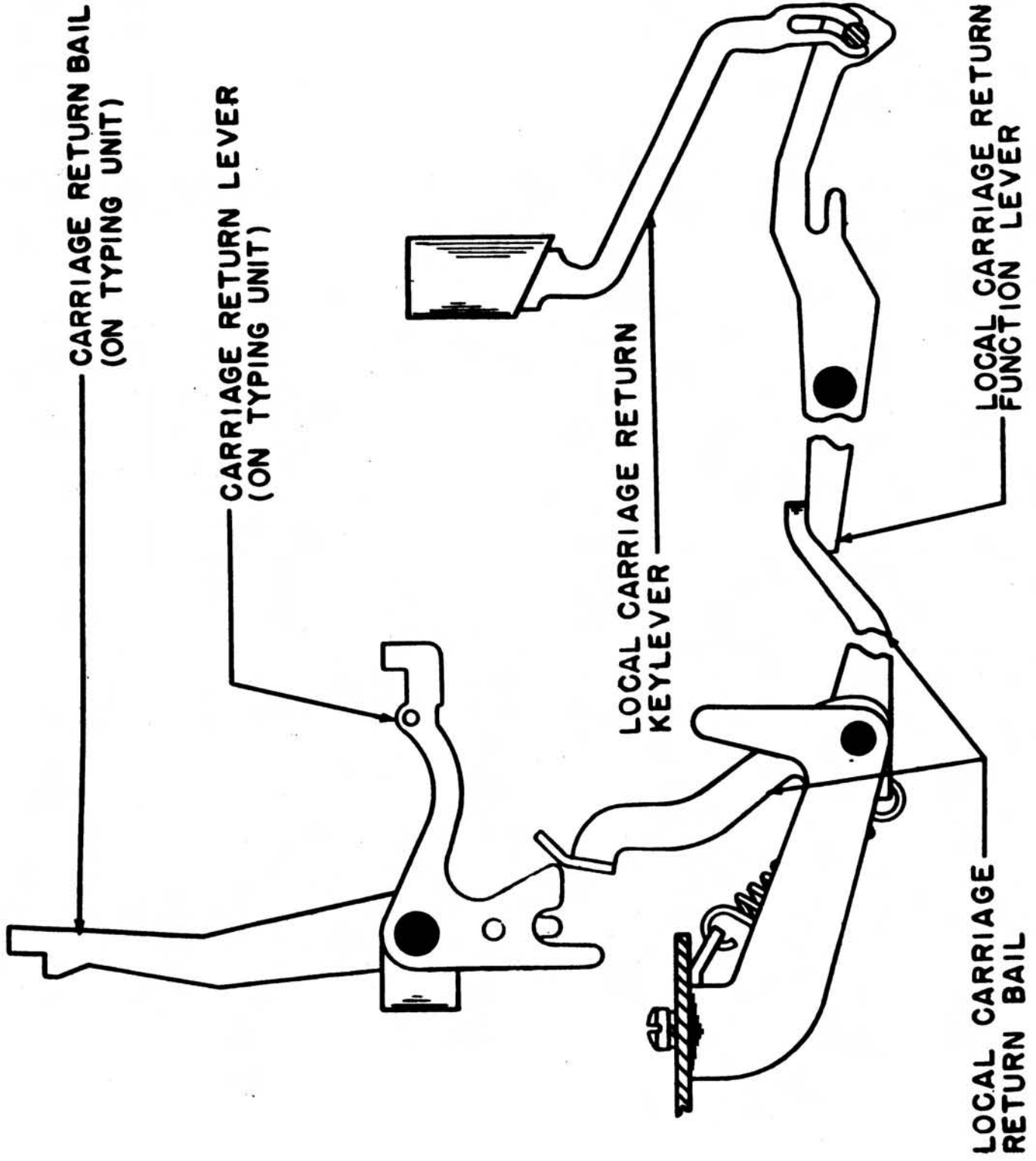


FIGURE 28. LOCAL CARRIAGE RETURN MECHANISM

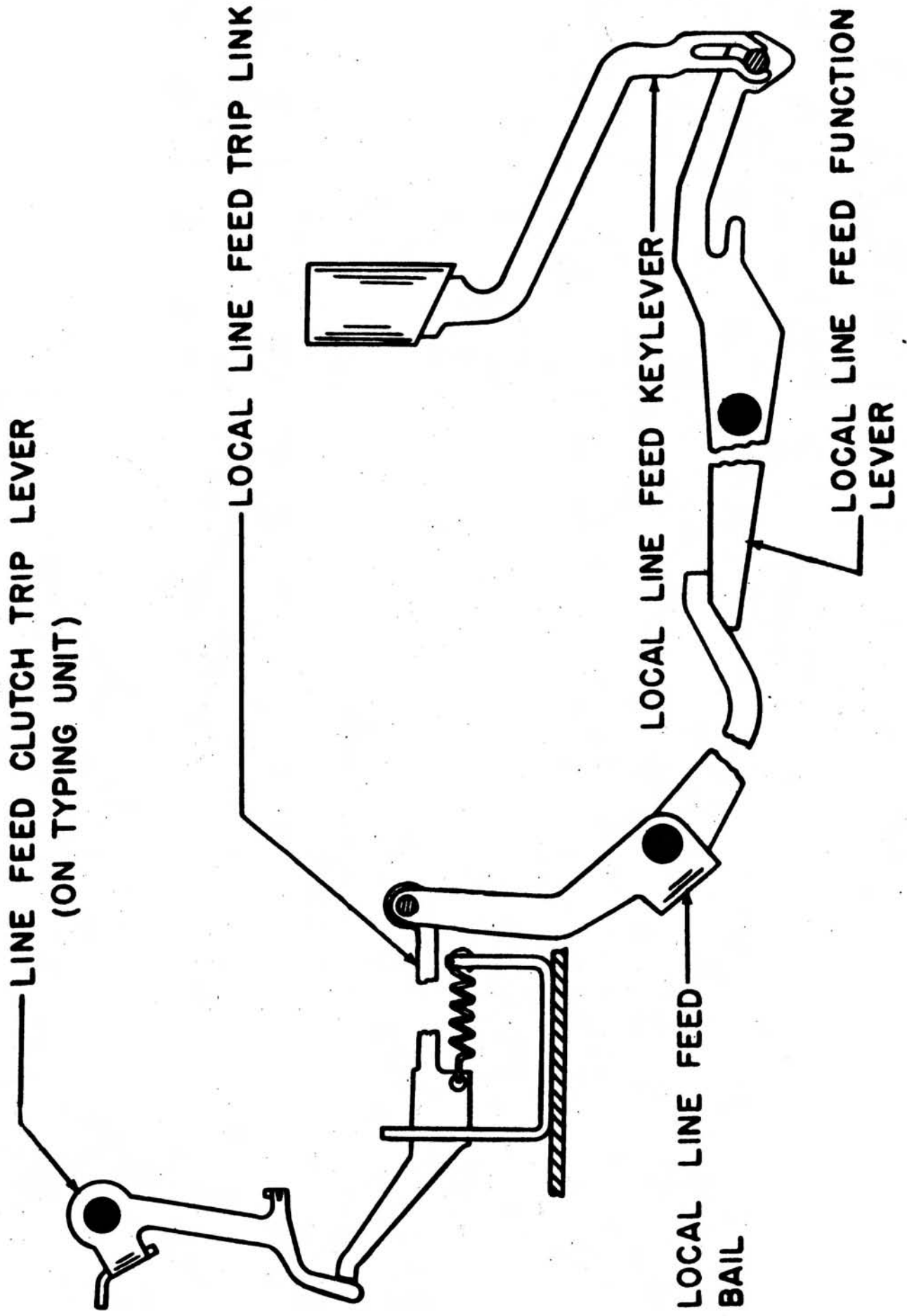


FIGURE 29. LOCAL LINE FEED MECHANISM

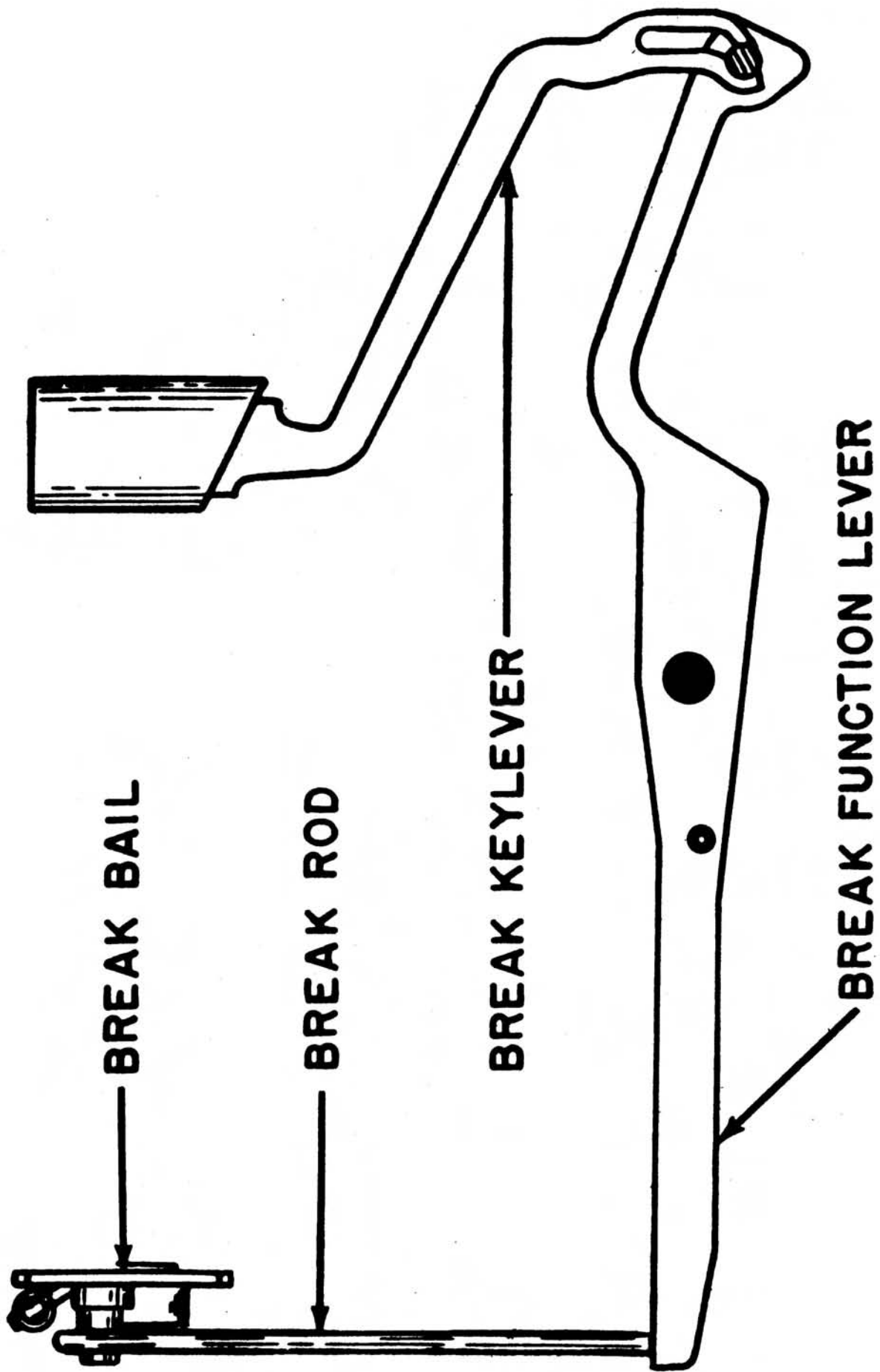


FIGURE 30. BREAK MECHANISM

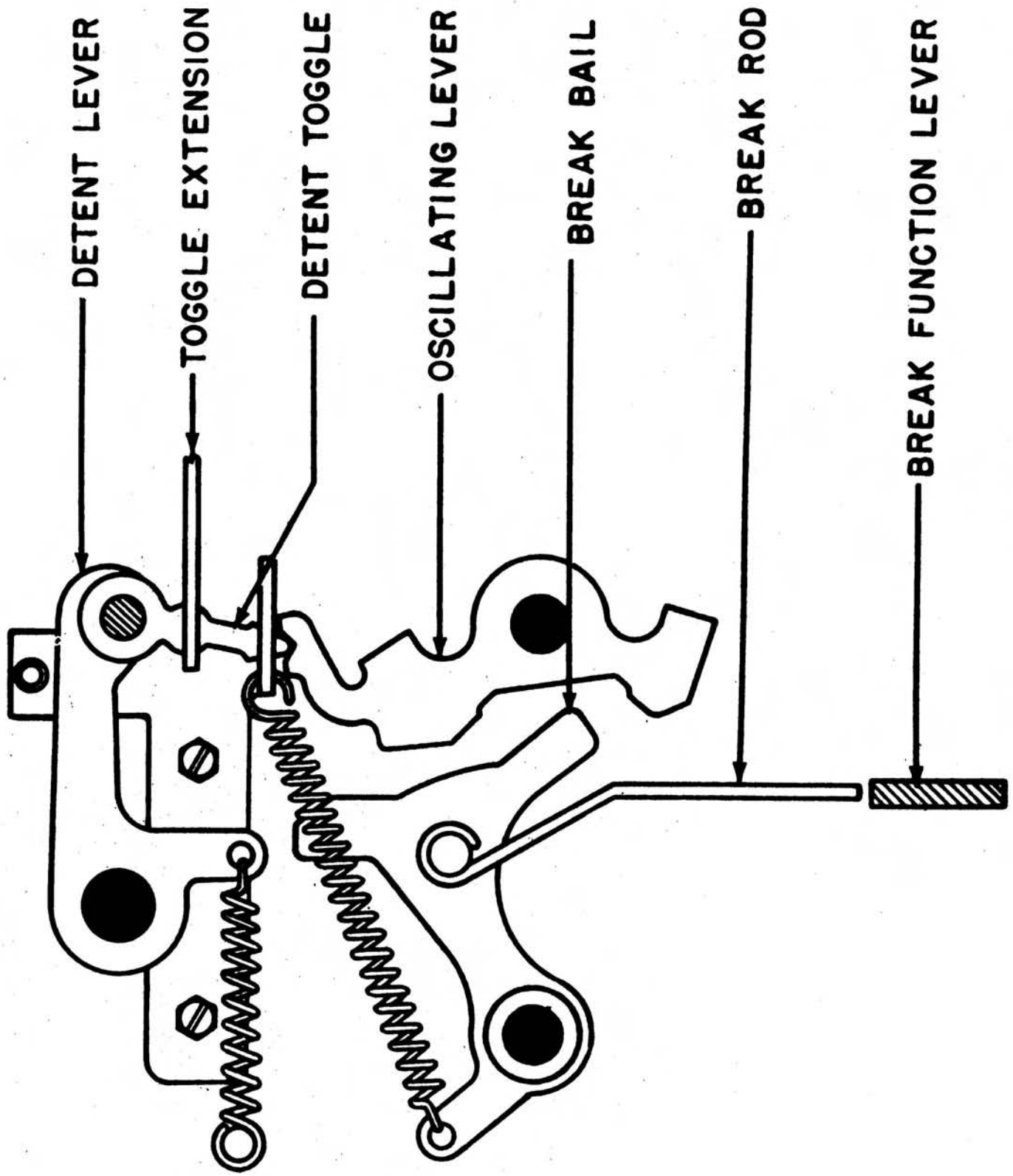


FIGURE 31. BREAK MECHANISM

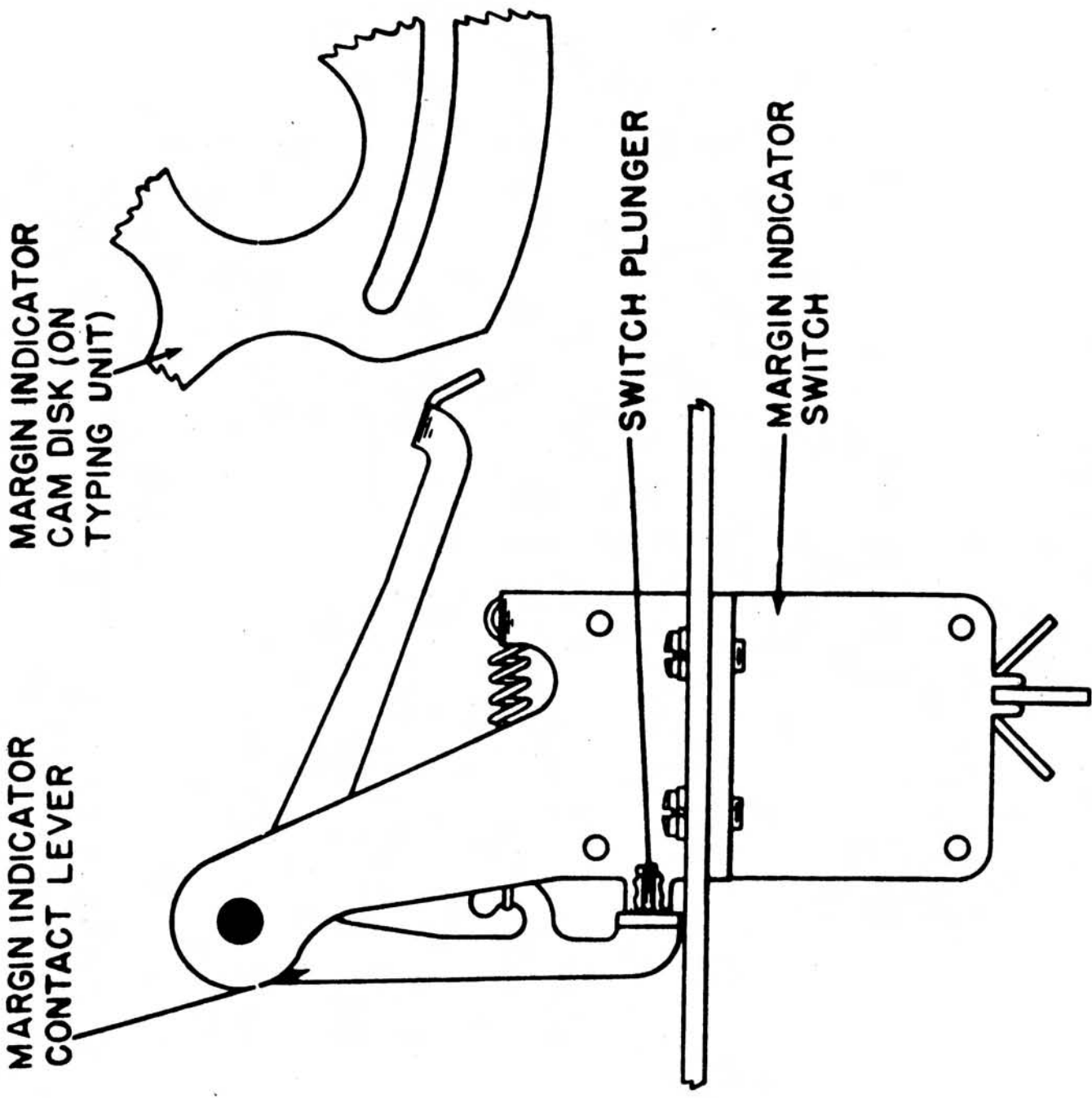
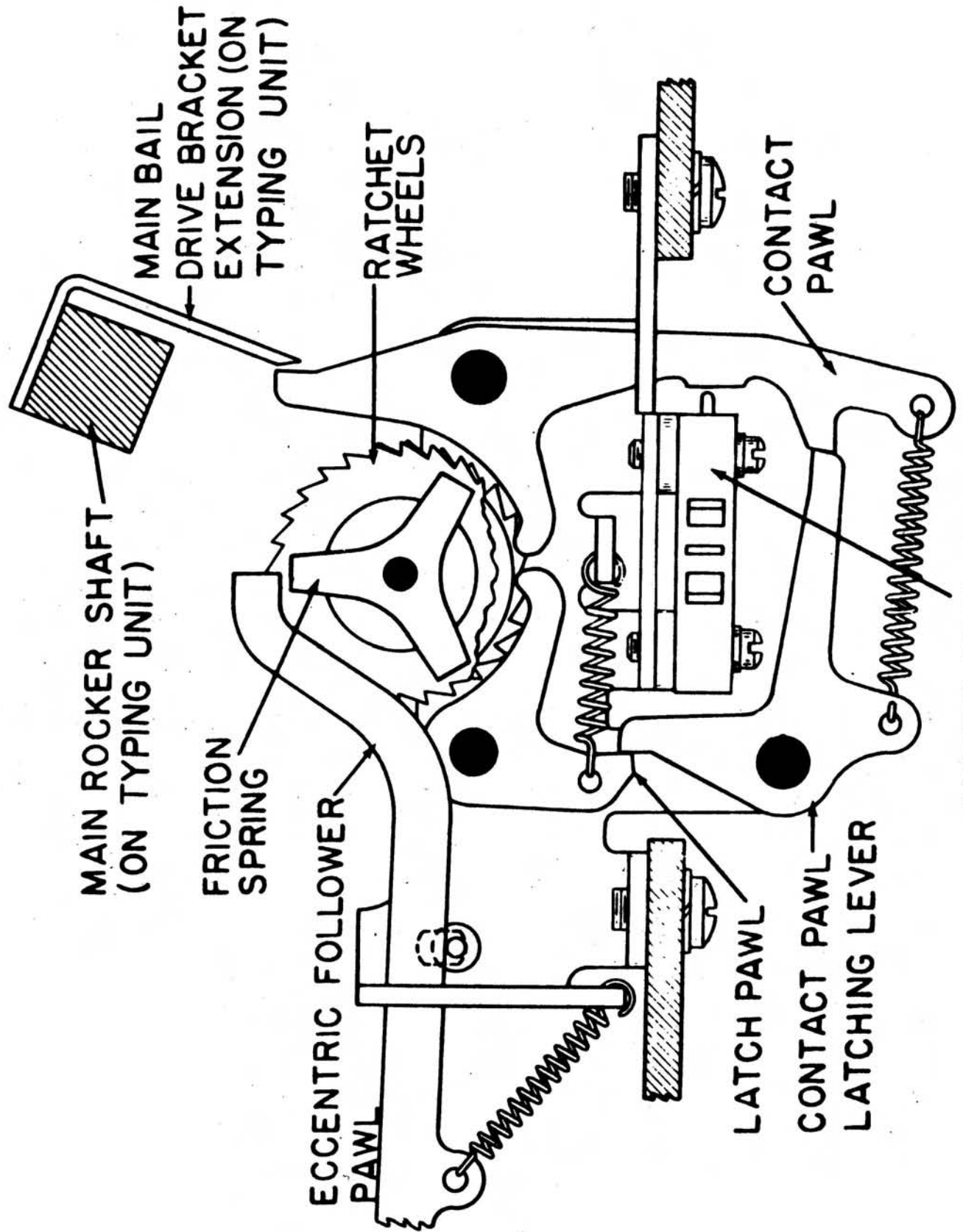


FIGURE 32. MARGIN INDICATOR MECHANISM



MAIN ROCKER SHAFT
(ON TYPING UNIT)

FRICITION
SPRING

ECCENTRIC FOLLOWER
PAWL

MAIN BAIL
DRIVE BRACKET
(ON EXTENSION (ON
TYPING UNIT)

RATCHET
WHEELS

LATCH PAWL
CONTACT PAWL
LATCHING LEVER

CONTACT
PAWL

MOTOR STOP SWITCH

FIGURE 33. TIME DELAY MECHANISM

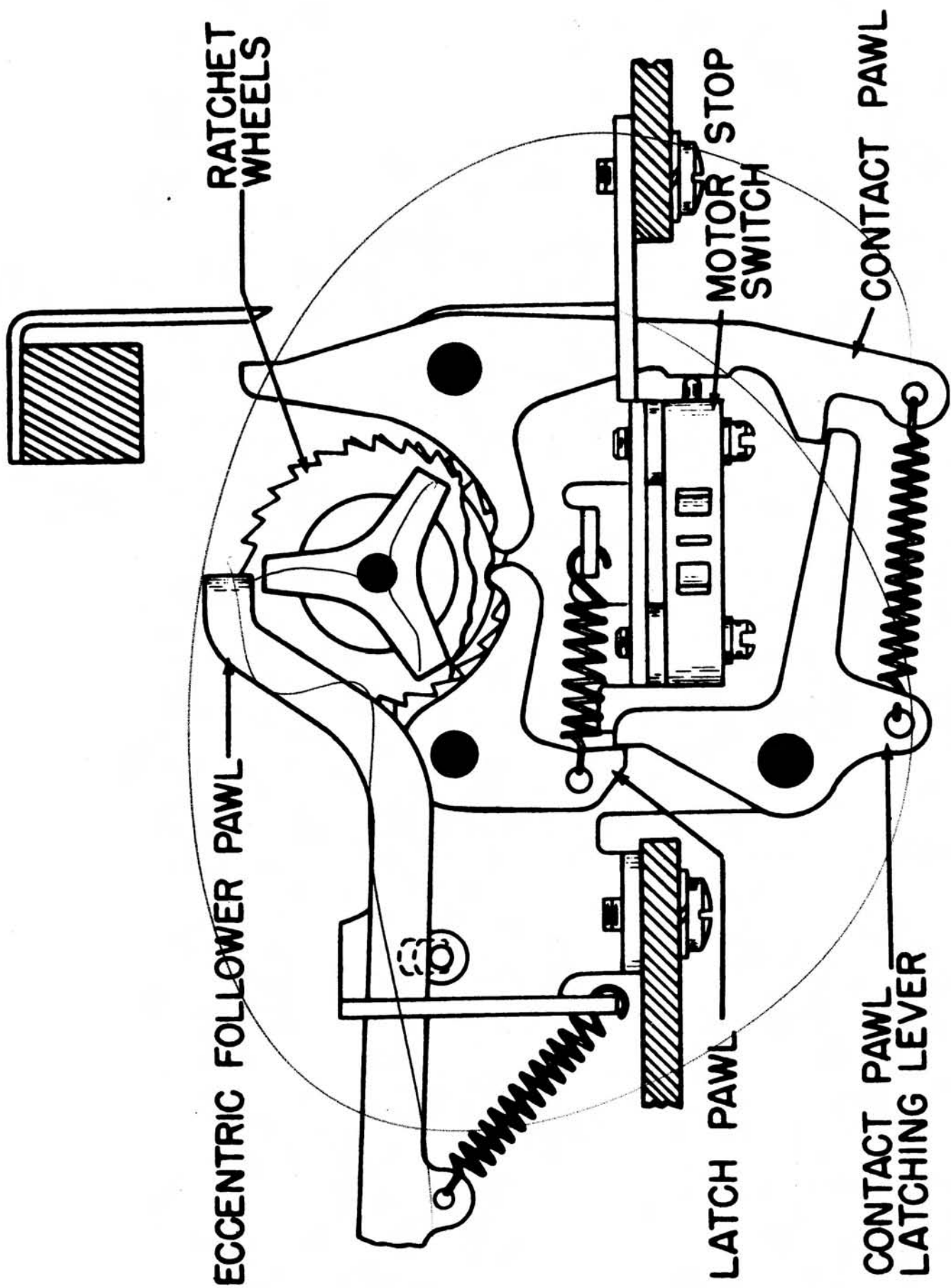


FIGURE 34. TIME DELAY MECHANISM

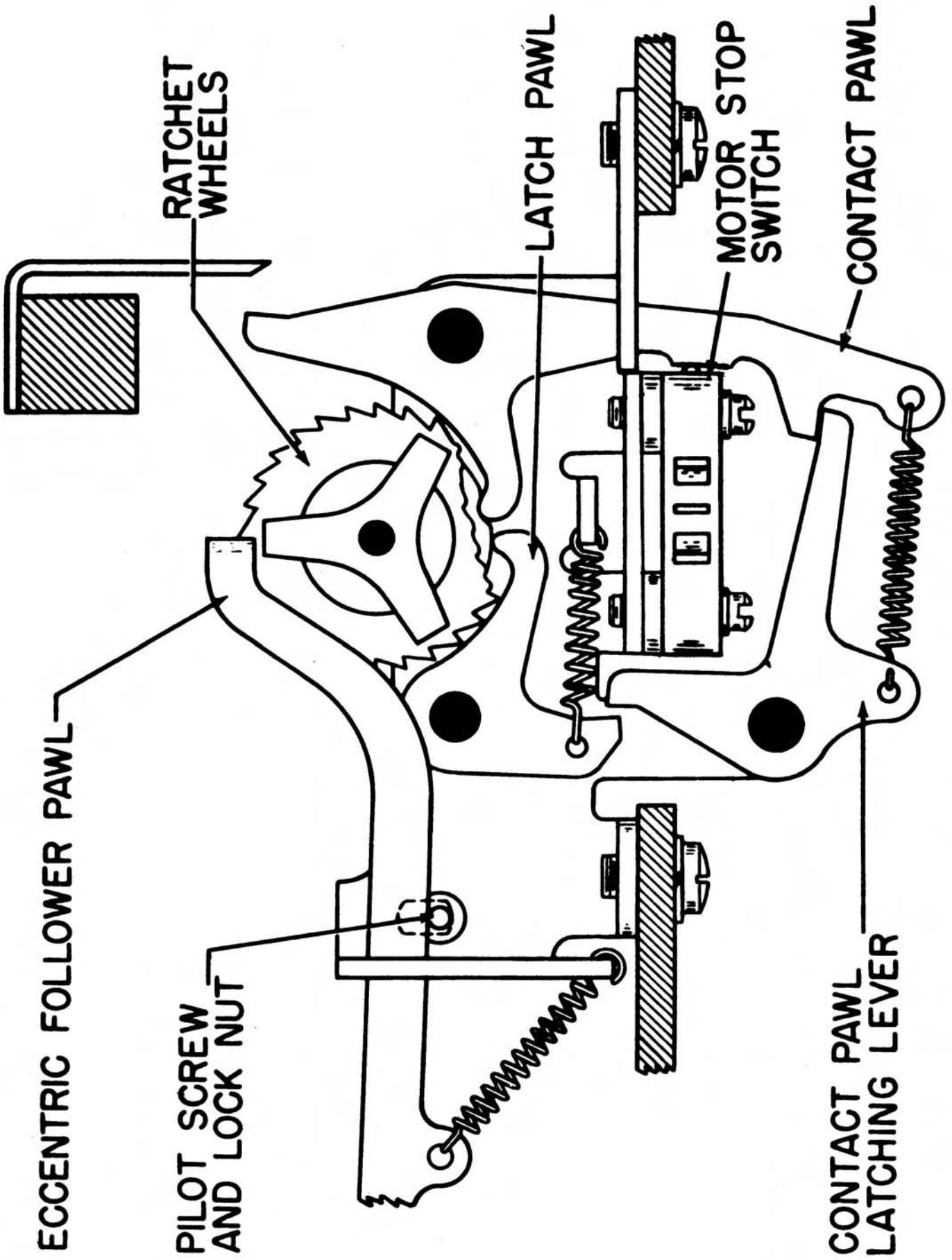


FIGURE 35. TIME DELAY MECHANISM

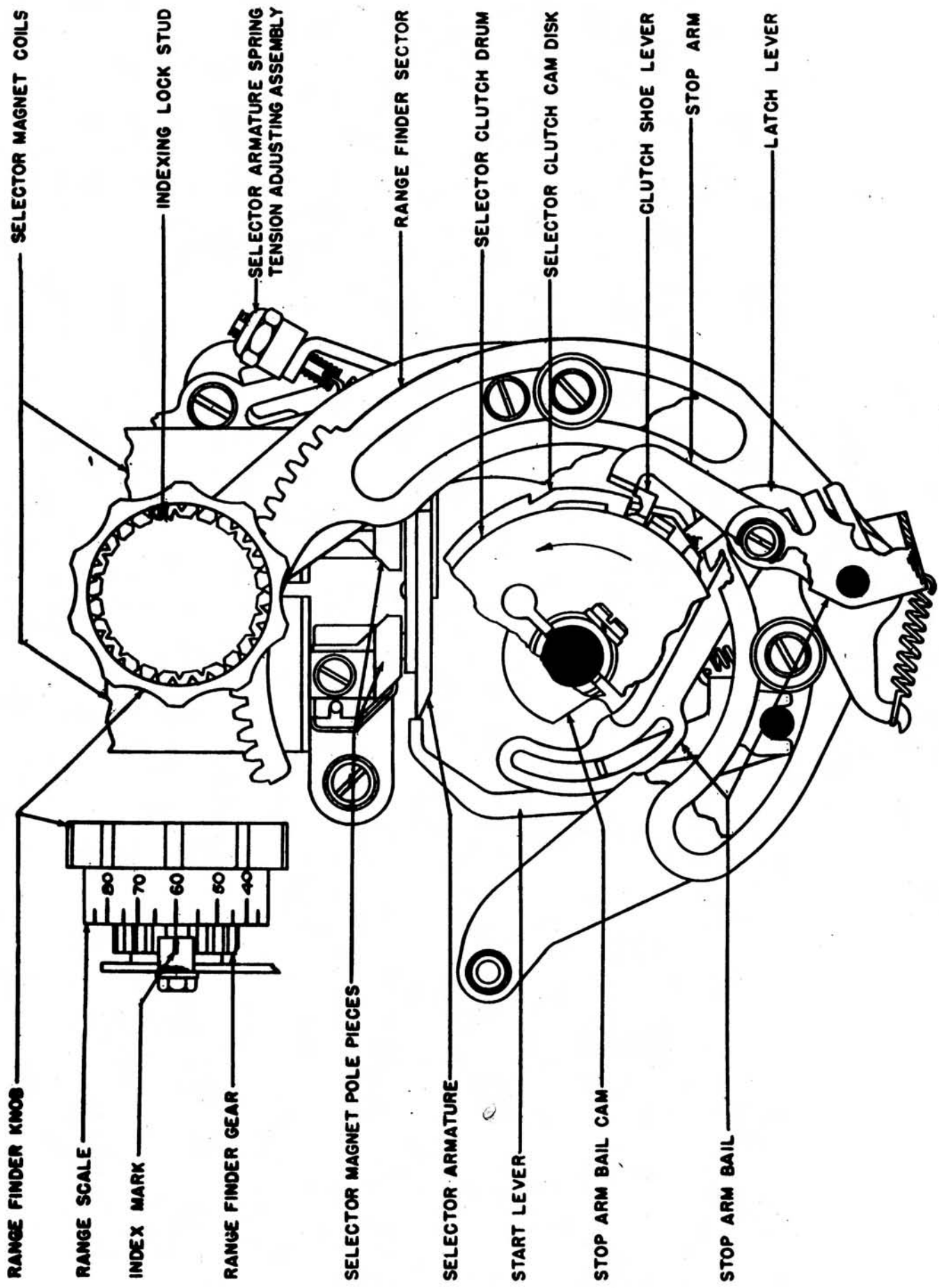


FIGURE 36. SELECTOR CAM-CLUTCH TRIP MECHANISM

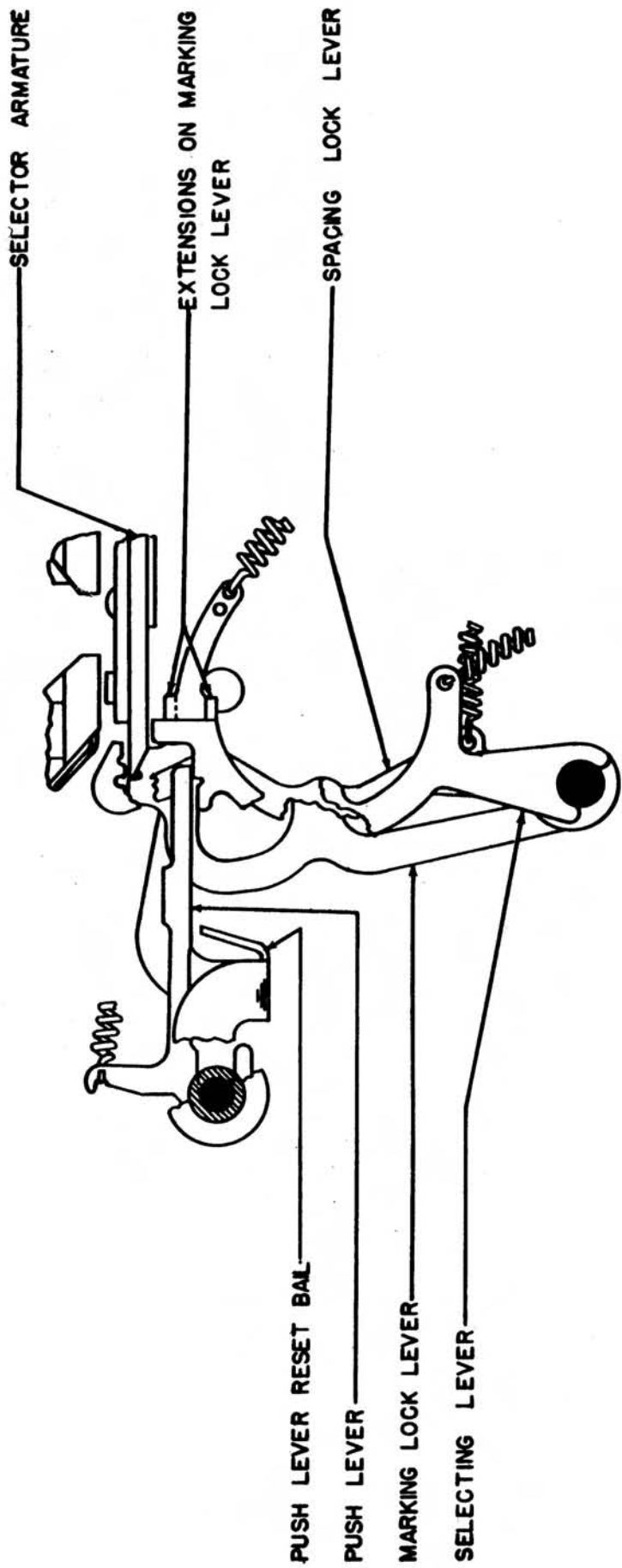


FIGURE 37. SELECTOR MECHANISM, RIGHT END VIEW

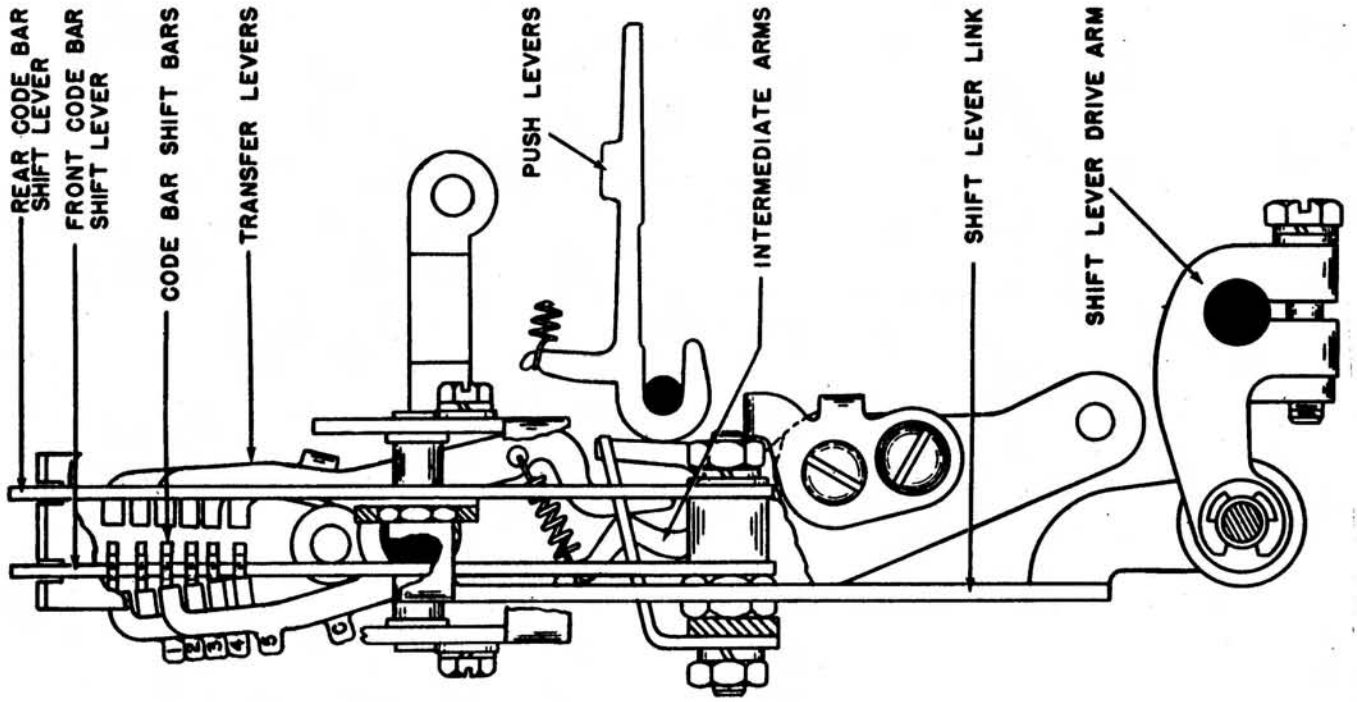


FIGURE 38. CODE BAR POSITIONING MECHANISM

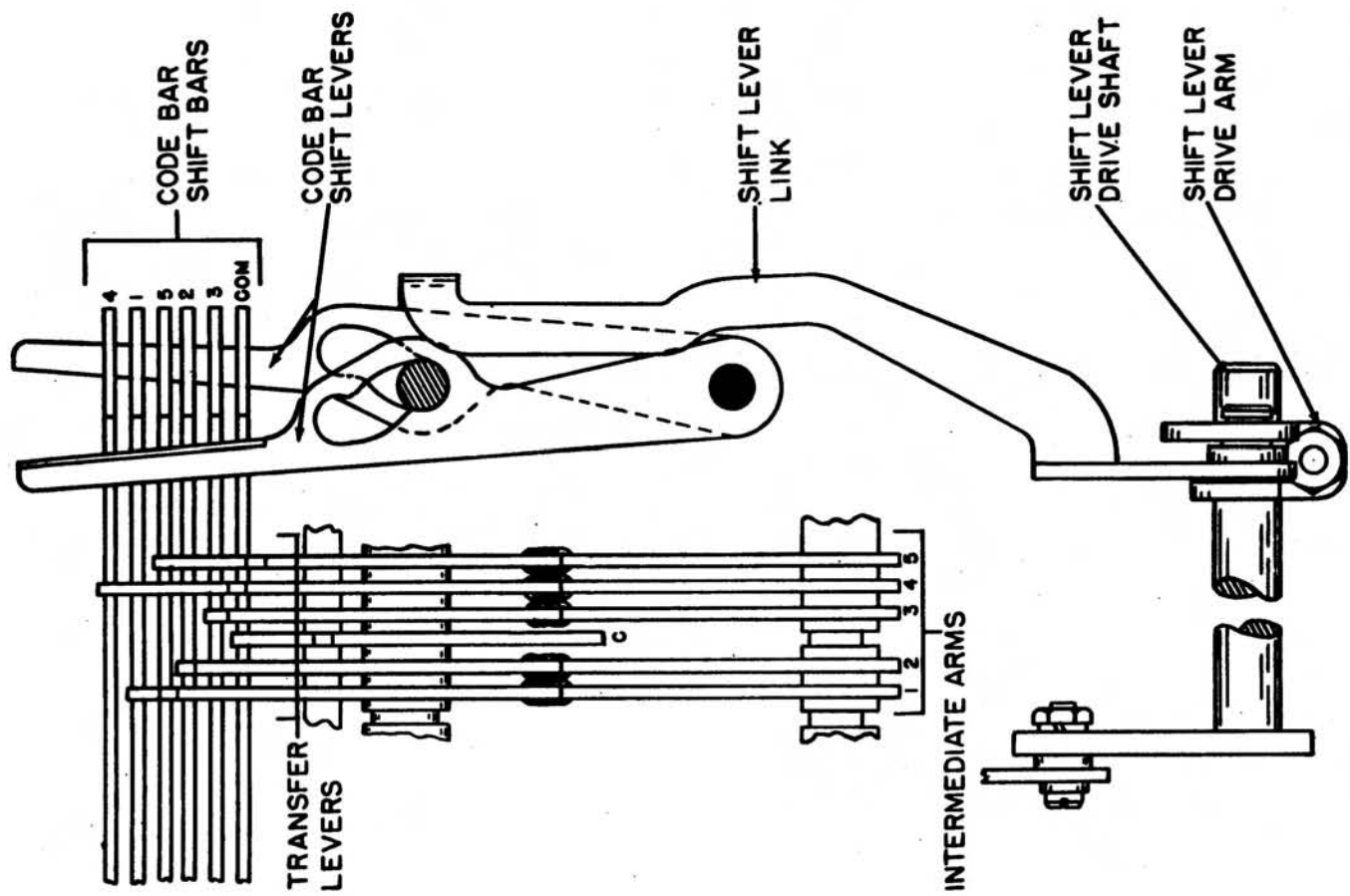


FIGURE 39. CODE BAR POSITIONING MECHANISM, FRONT VIEW

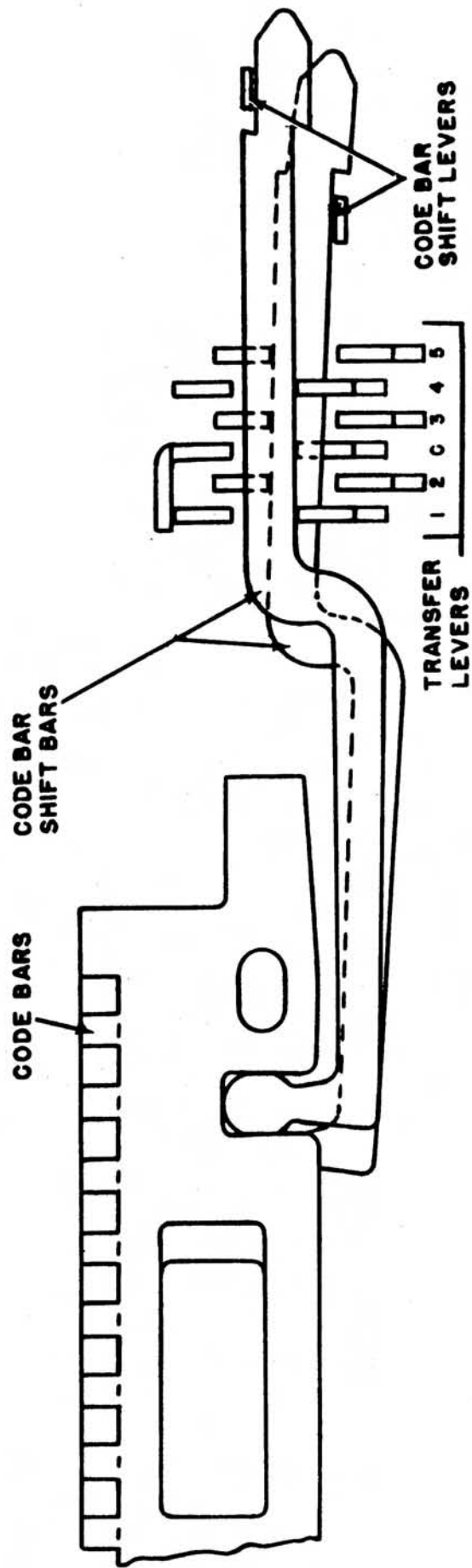
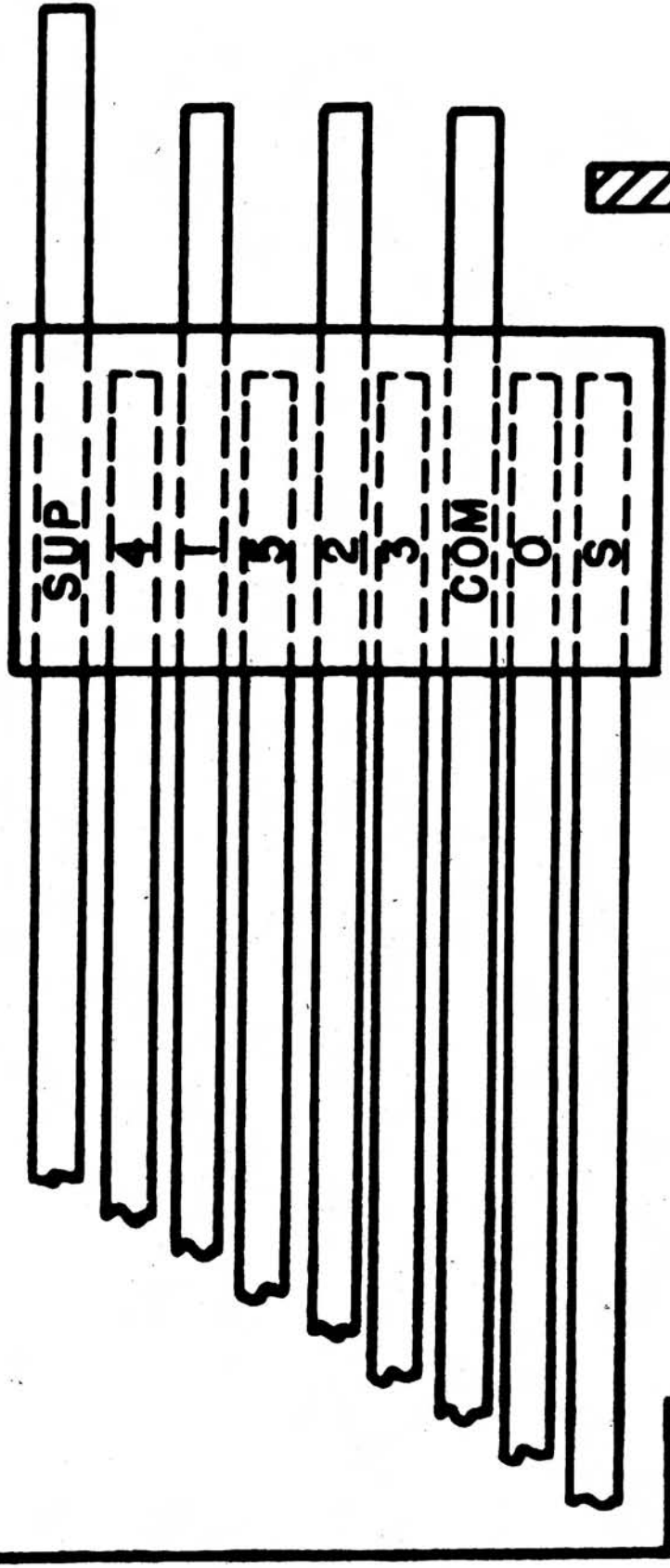


FIGURE 10. CODE BAR POSITIONING MECHANISM, TOP VIEW

**CODE BARS (SHOWN IN
EXTREME RIGHT POSITION)**



**VERTICAL POSITIONING
LEVERS**

FIGURE 41. CODE BAR ARRANGEMENT

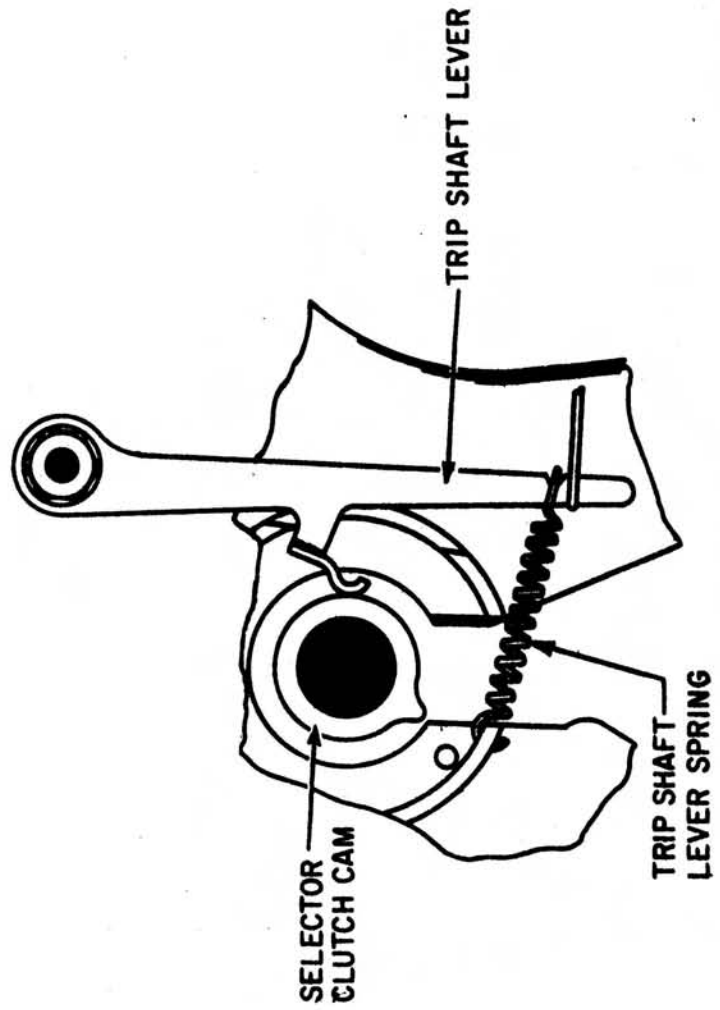
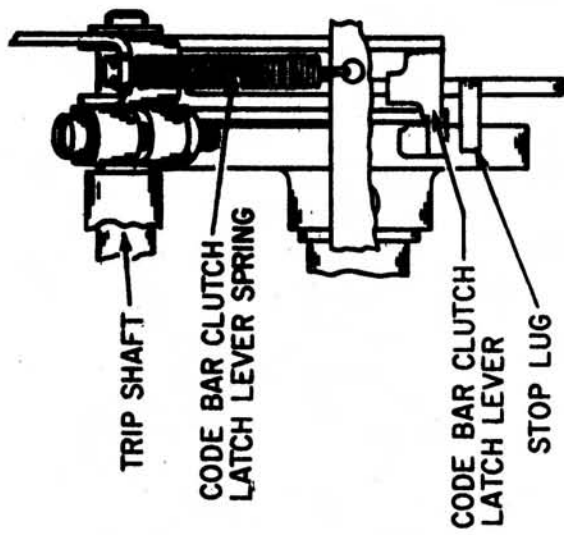


FIGURE 42. TYPING UNIT, CODE BAR CLUTCH TRIP SHAFT MECHANISM.

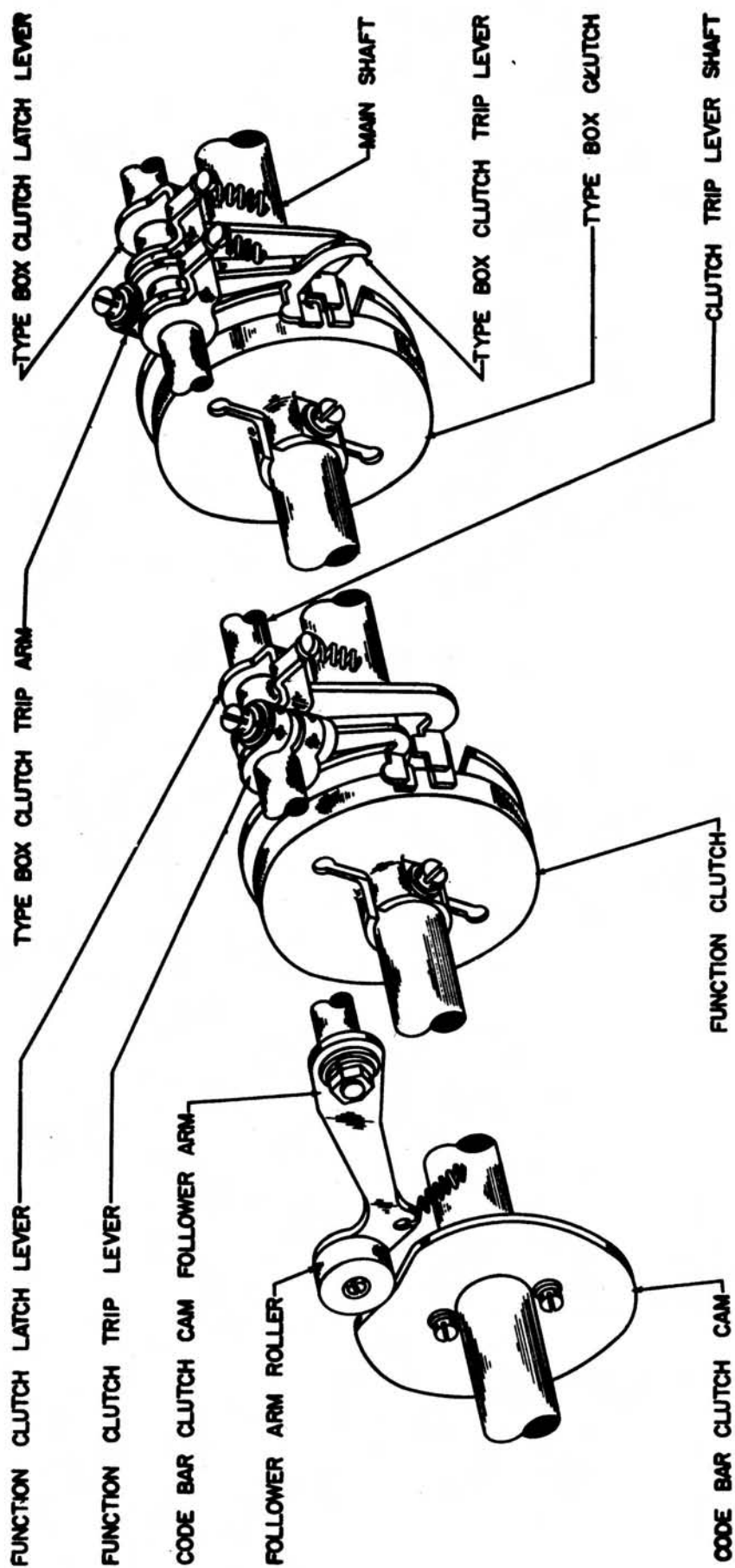


FIGURE 43. TRIP MECHANISM FOR FUNCTION AND TYPE BOX CLUTCHES

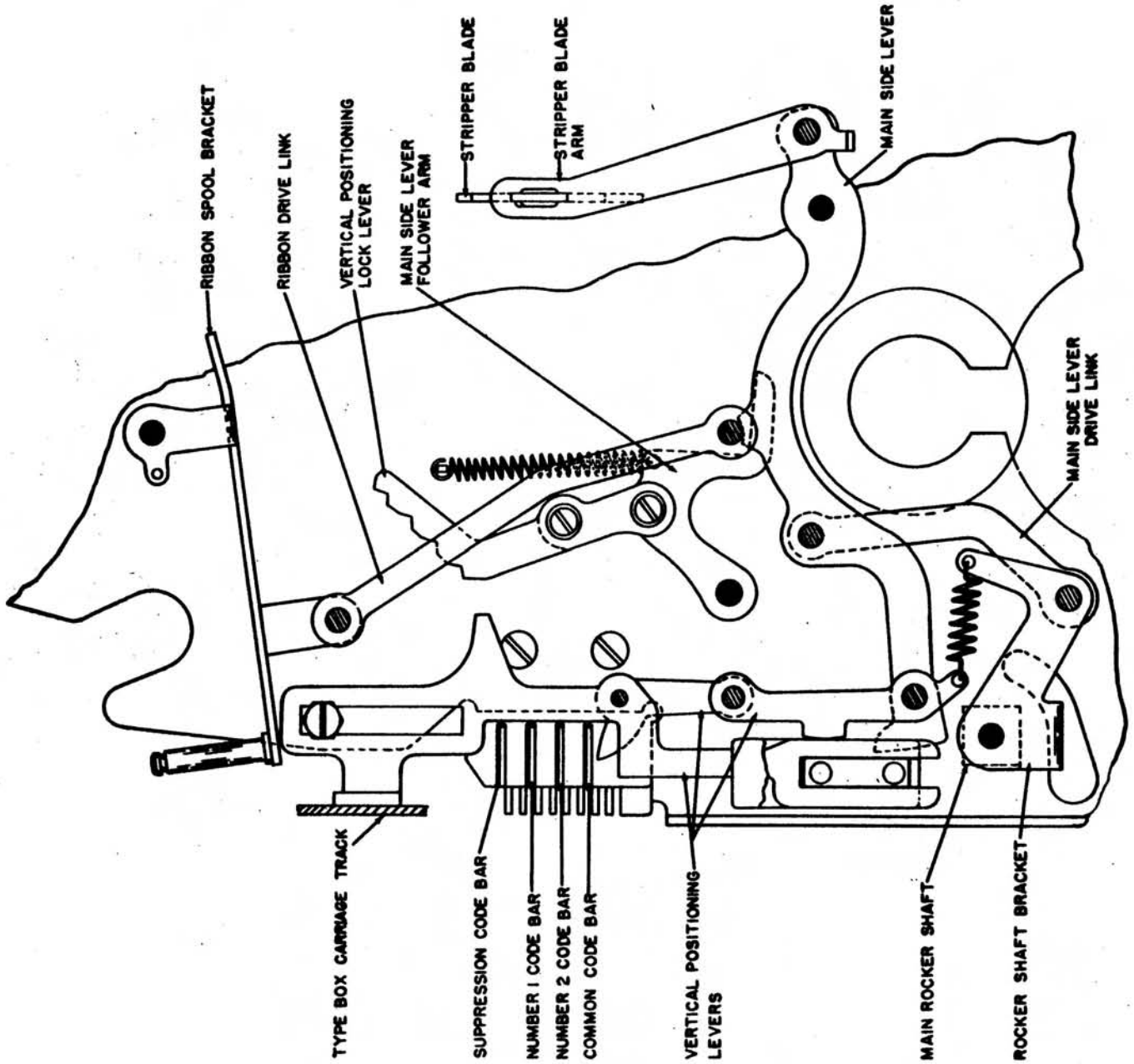


FIGURE 44. RIGHT SIDE MECHANISM

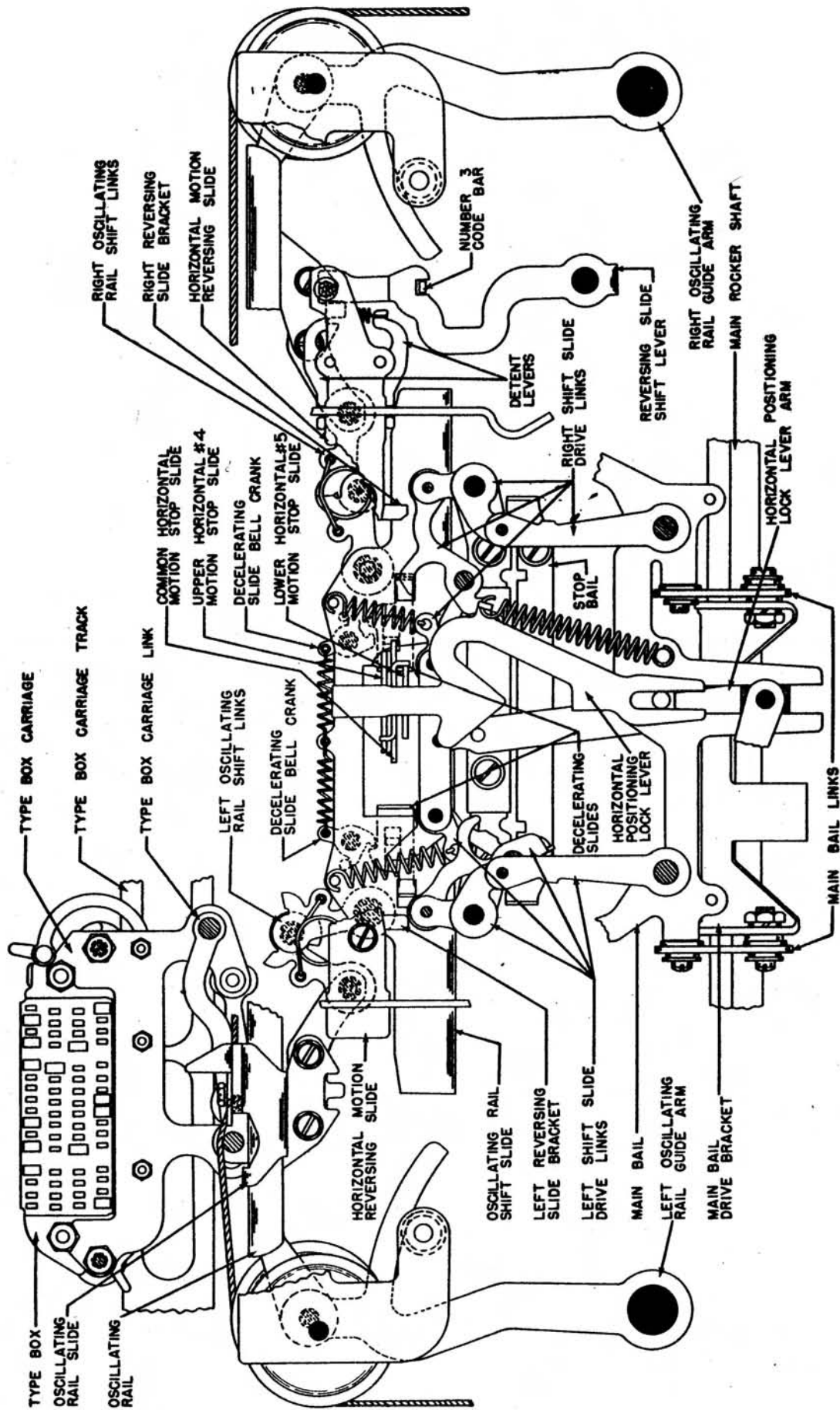


FIGURE 45. FRONT PLATE HORIZONTAL POSITIONING MECHANISM

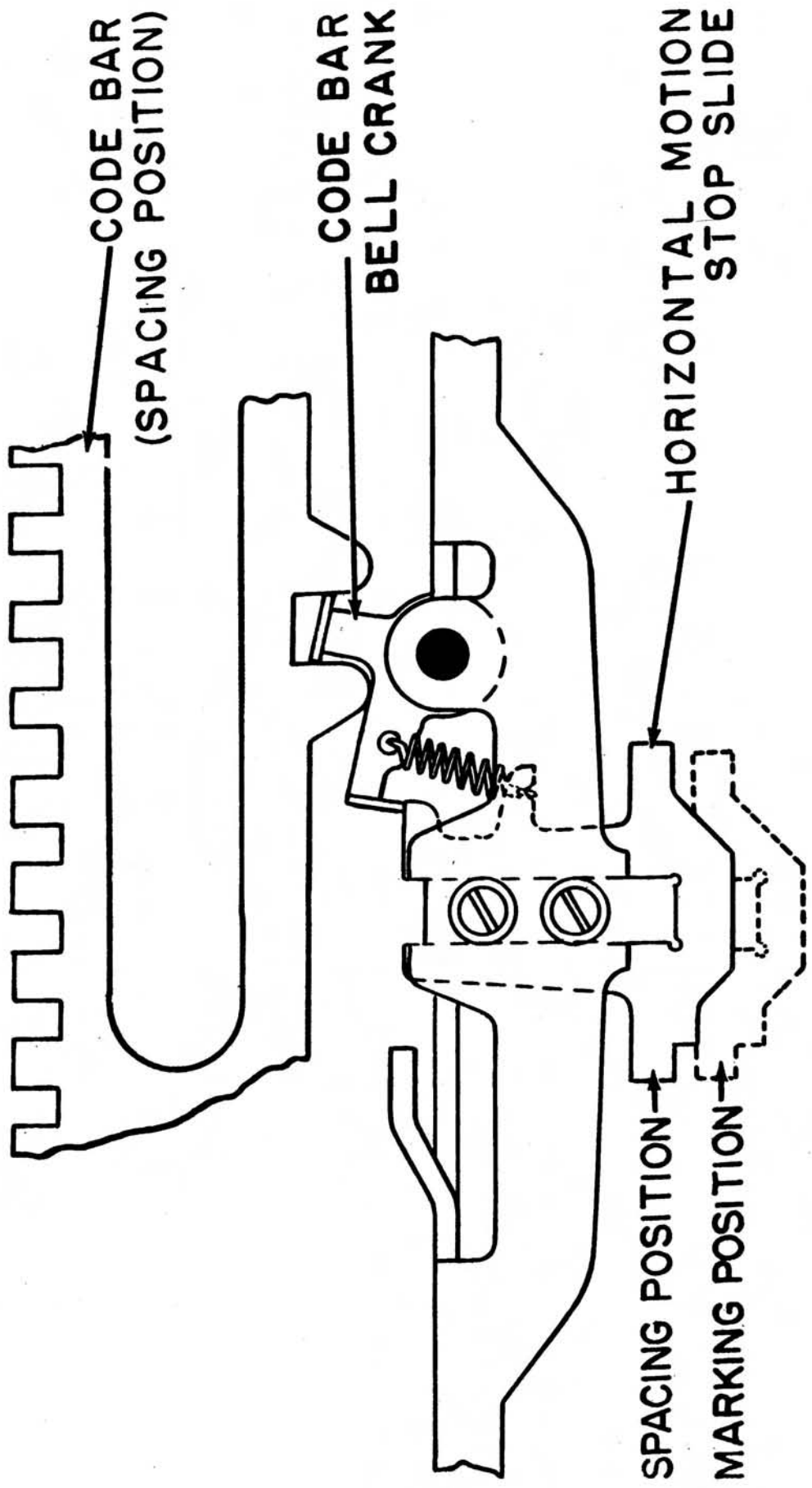


FIGURE 46. STOP SLIDE POSITIONING

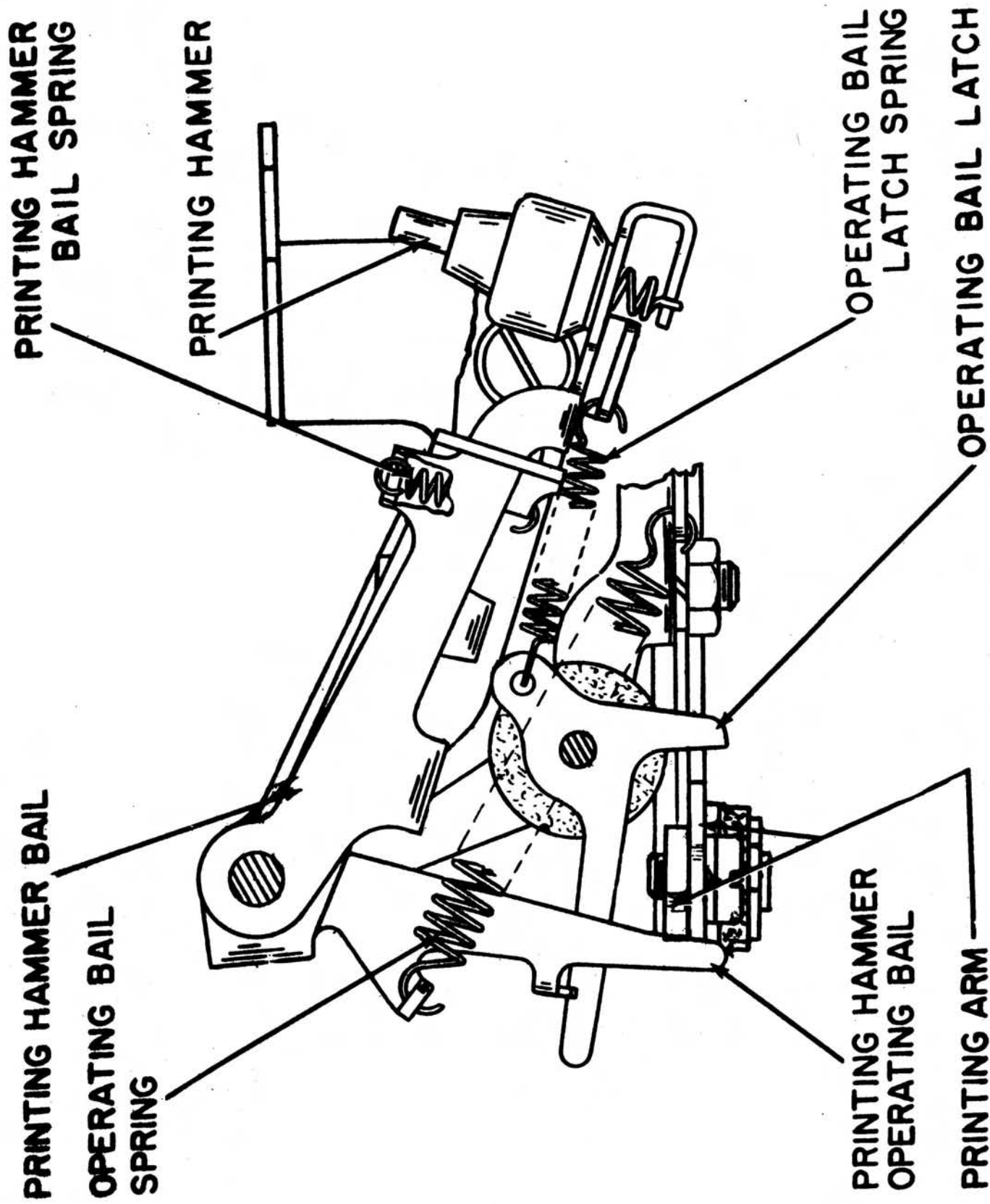


FIGURE 47. PRINTING HAMMER MECHANISM, TOP VIEW

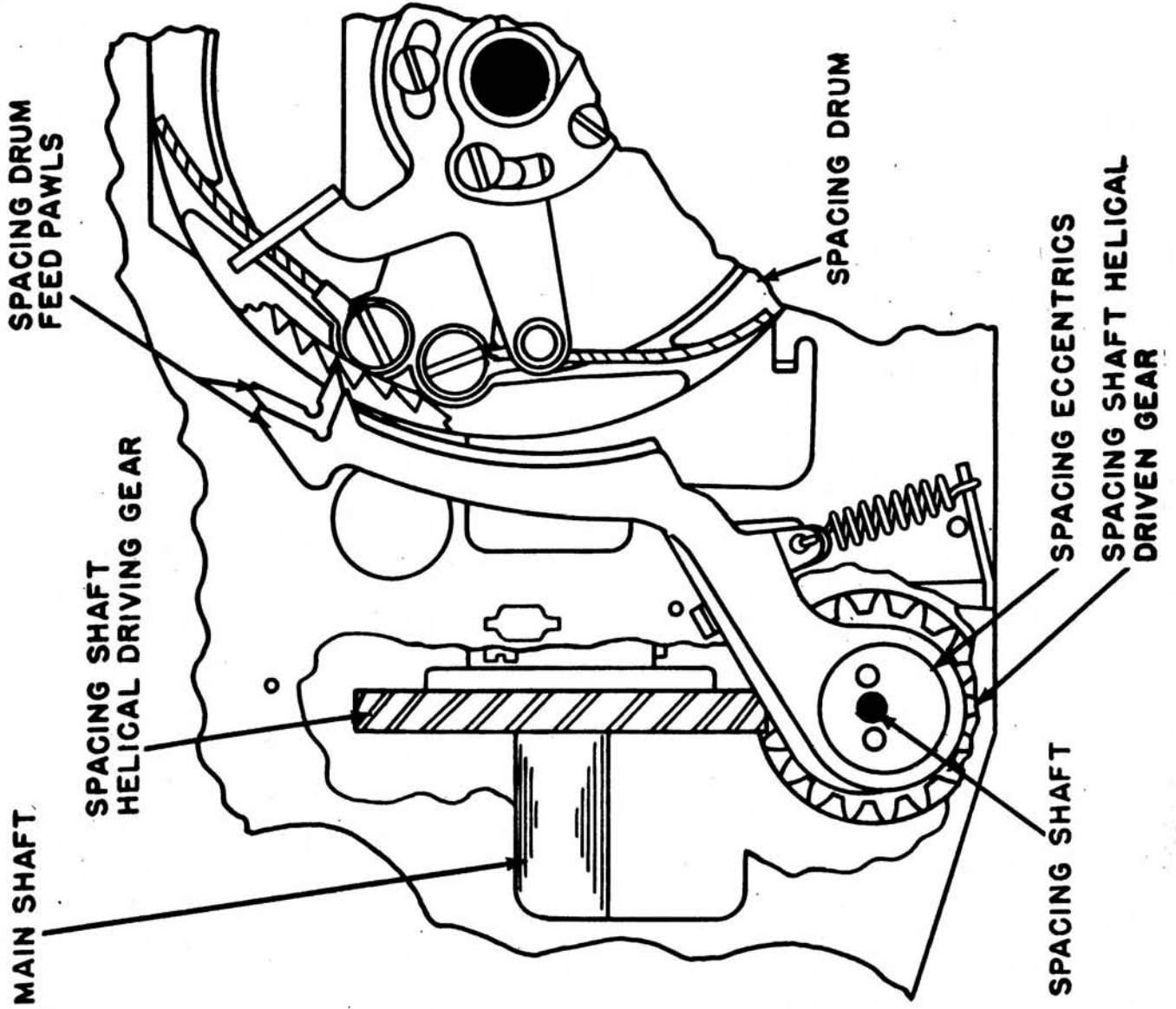


FIGURE 48. SPACING DRUM DRIVE MECHANISM

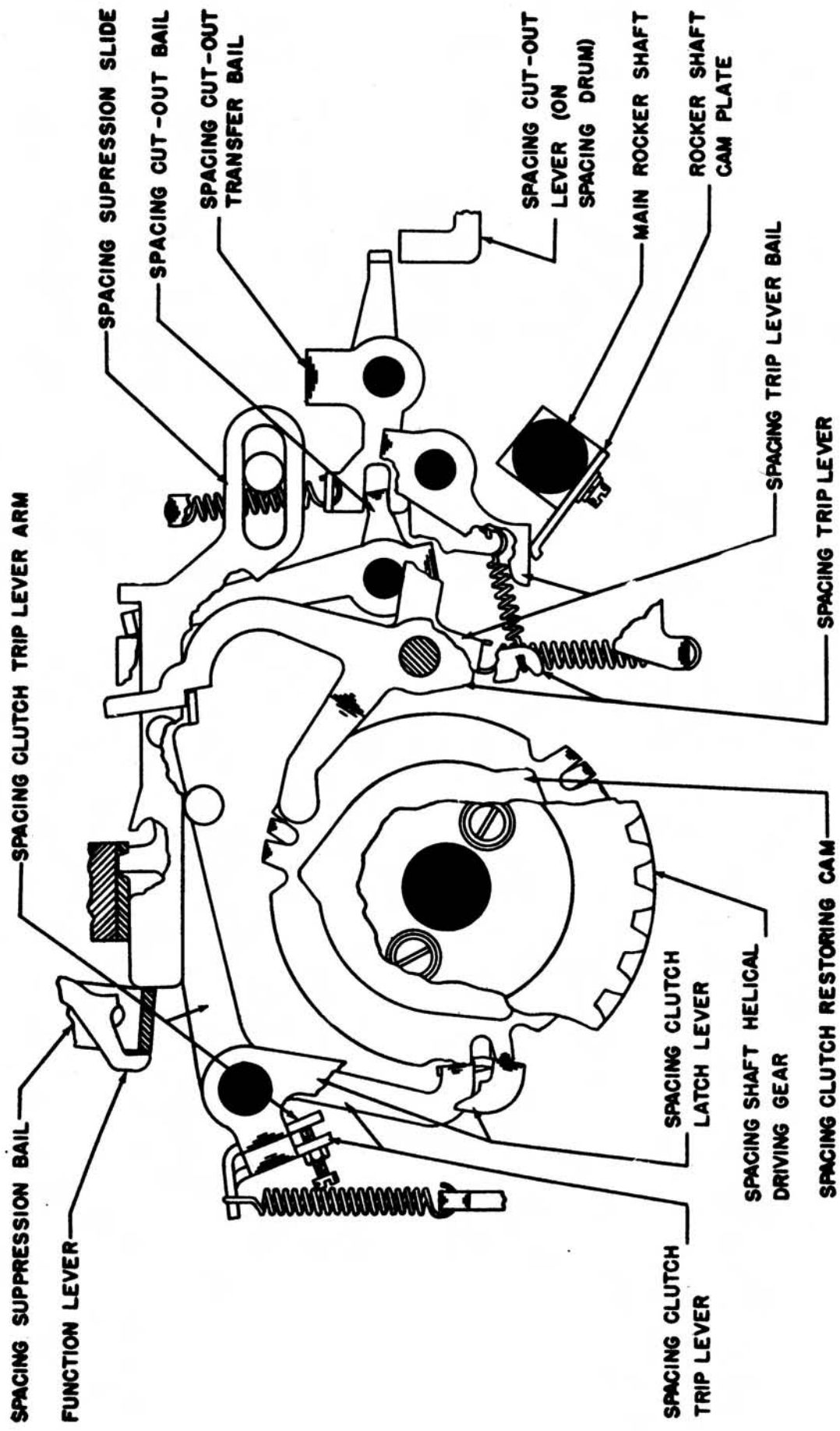


FIGURE 49. SPACING AND SPACING SUPPRESSION MECHANISM

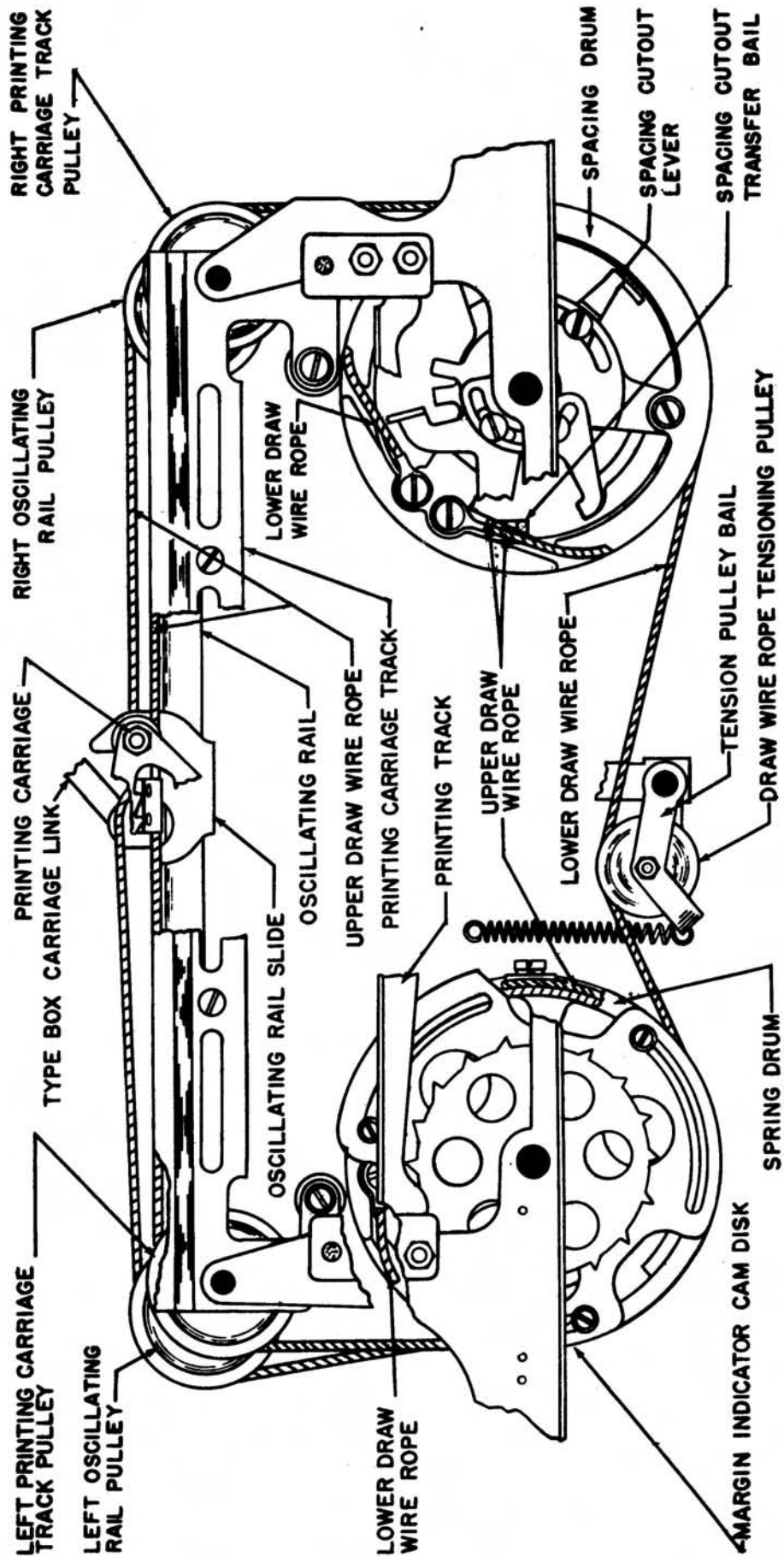


FIGURE 50. DRAW WIRE ROPE MECHANISM

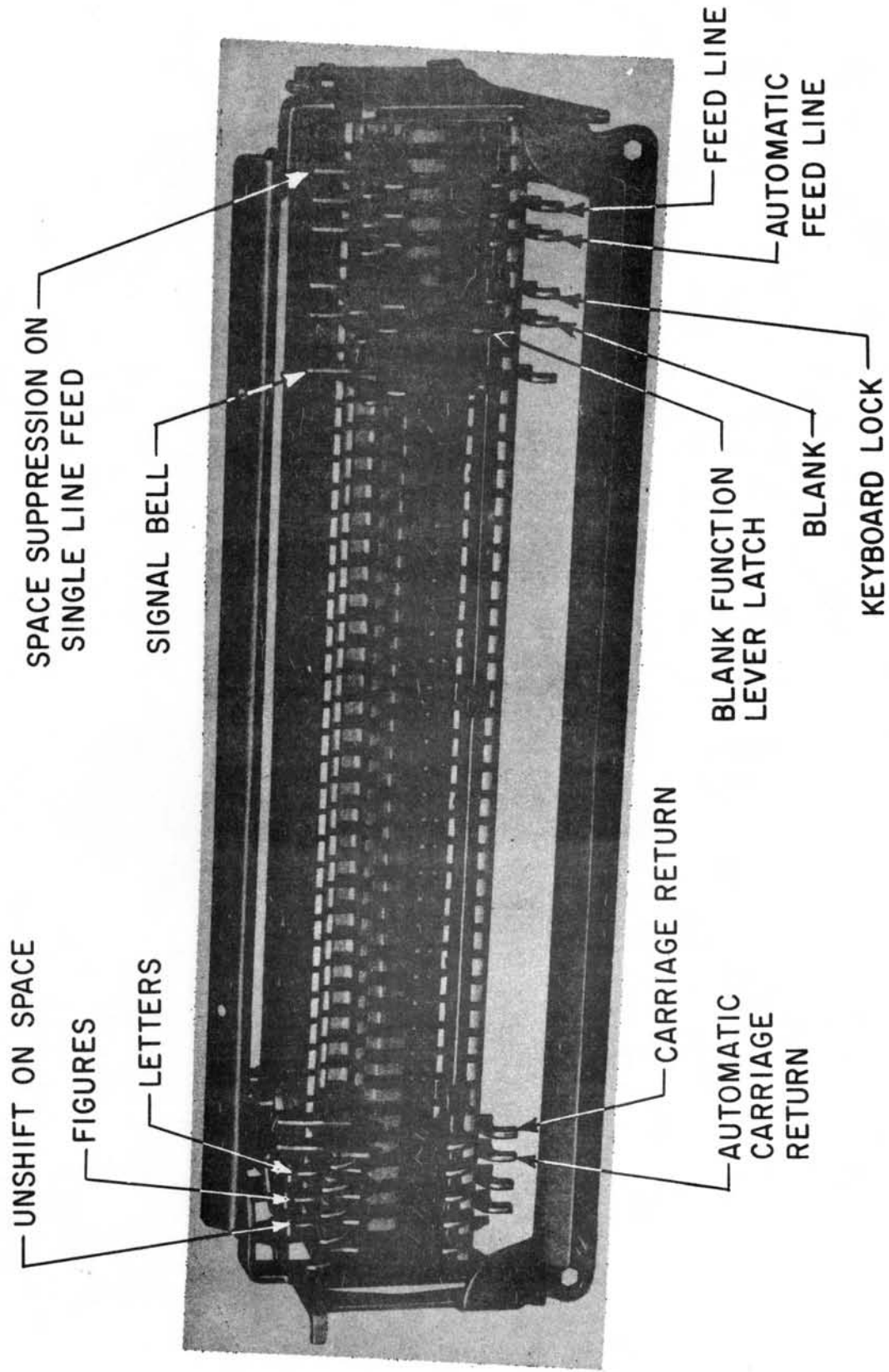


FIGURE 51. FUNCTION BOX, REAR VIEW SHOWING FUNCTION LEVERS

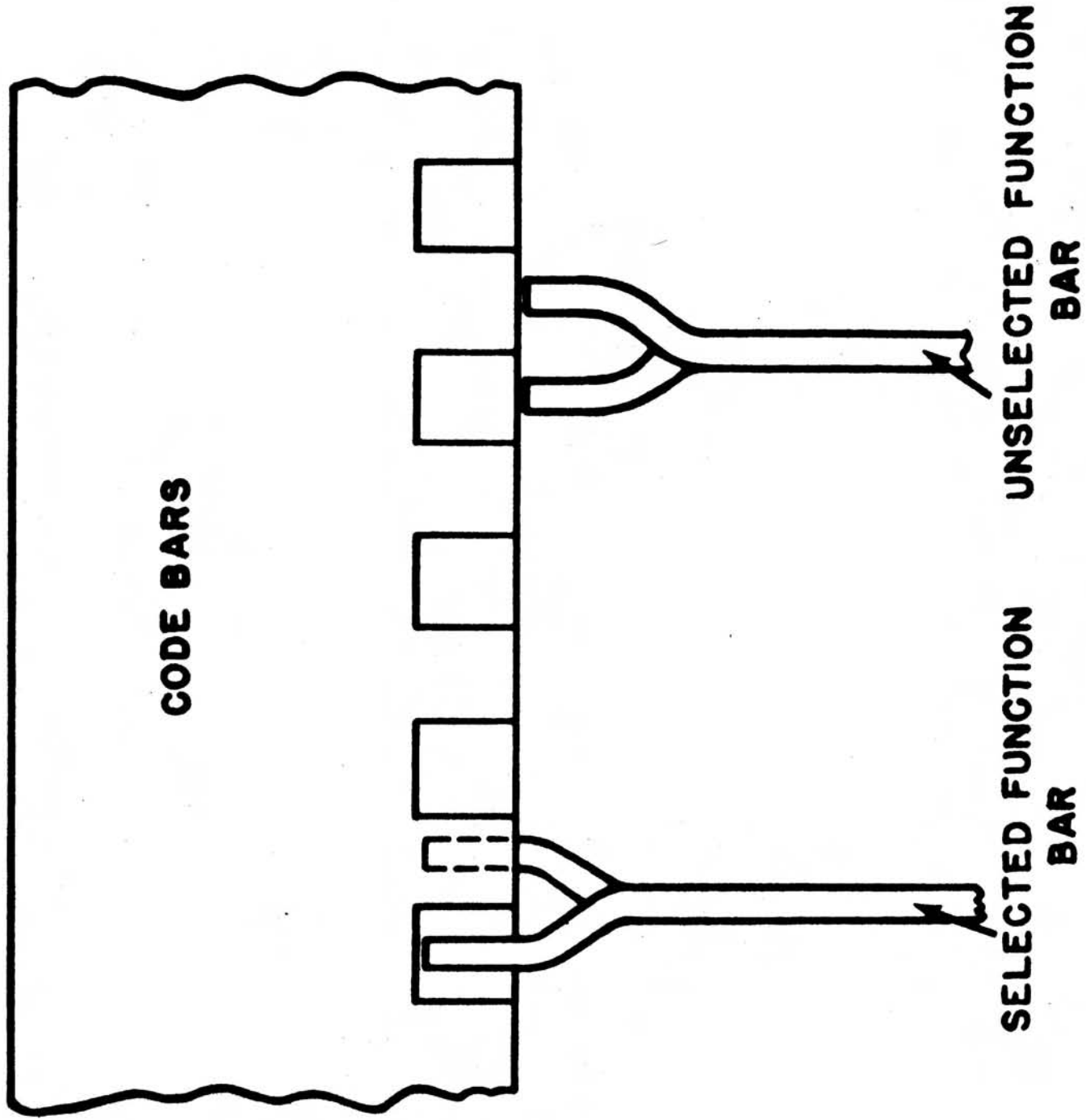


FIGURE 52. FUNCTION SELECTION, TOP VIEW

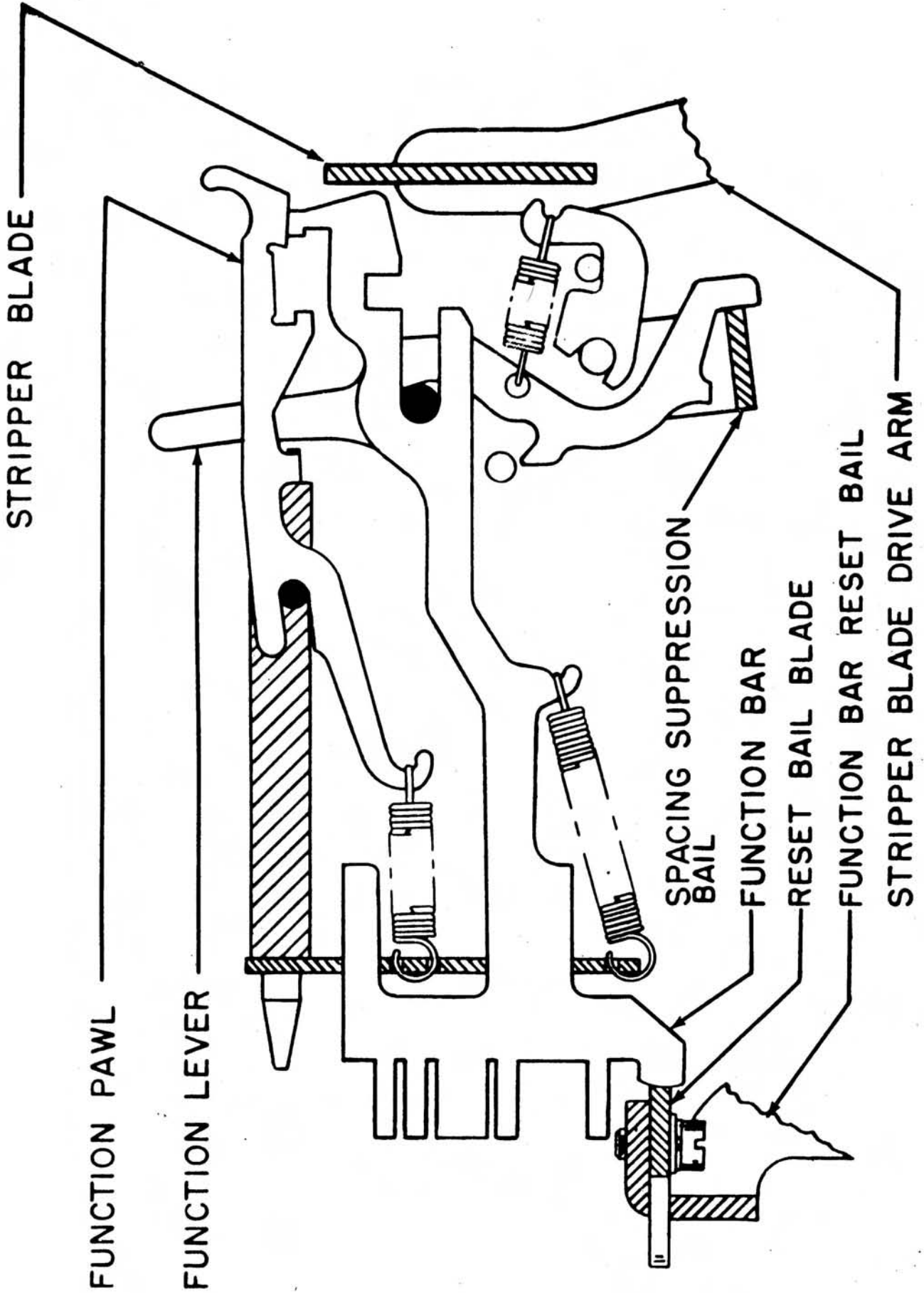
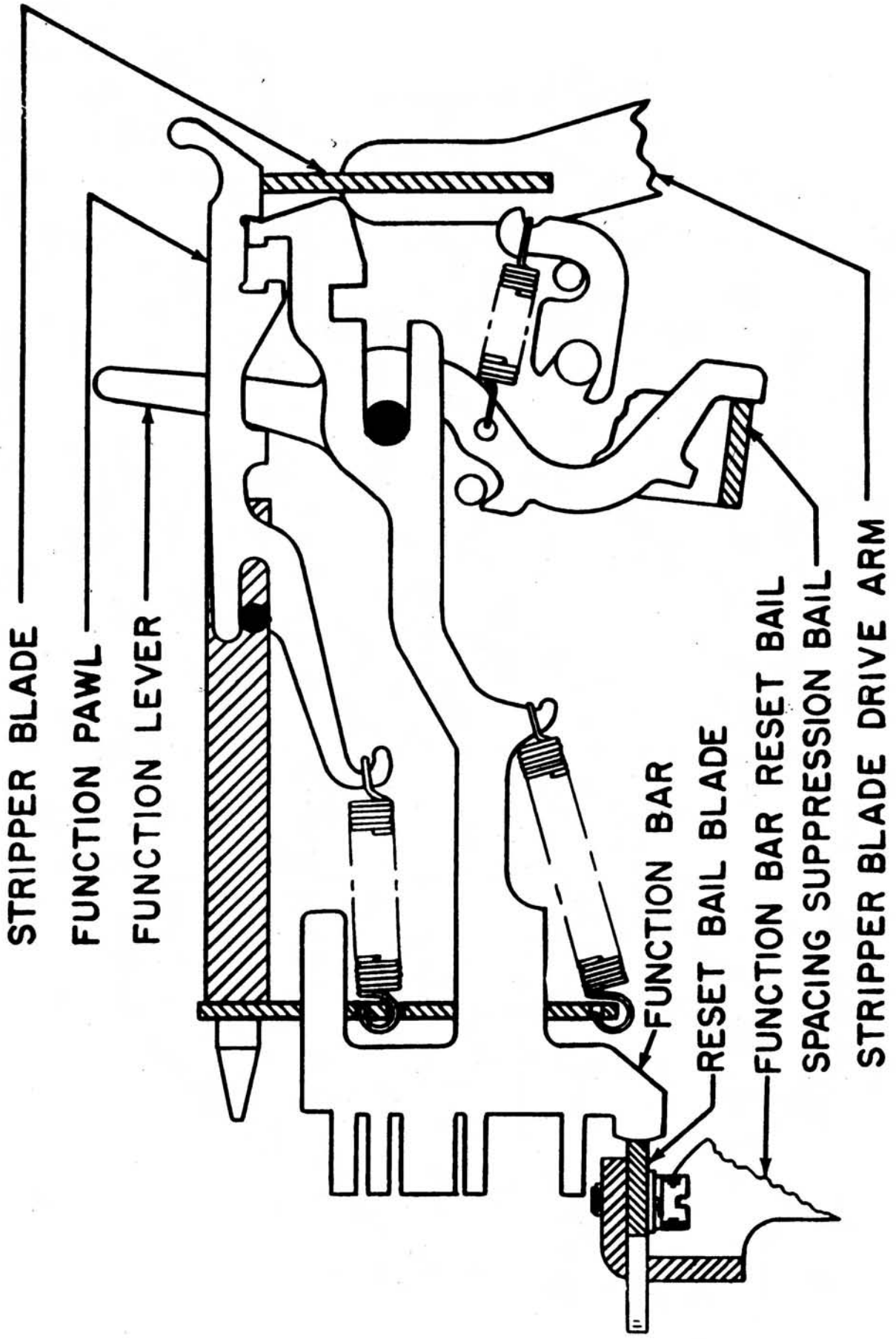


FIGURE 53. TYPICAL FUNCTION BOX MECHANISM, UNSELECTED



STRIPPER BLADE

FUNCTION PAWL

FUNCTION LEVER

FUNCTION BAR

RESET BAIL BLADE

FUNCTION BAR RESET BAIL

SPACING SUPPRESSION BAIL

STRIPPER BLADE DRIVE ARM

FIGURE 54. TYPICAL FUNCTION BOX MECHANISM, SELECTED

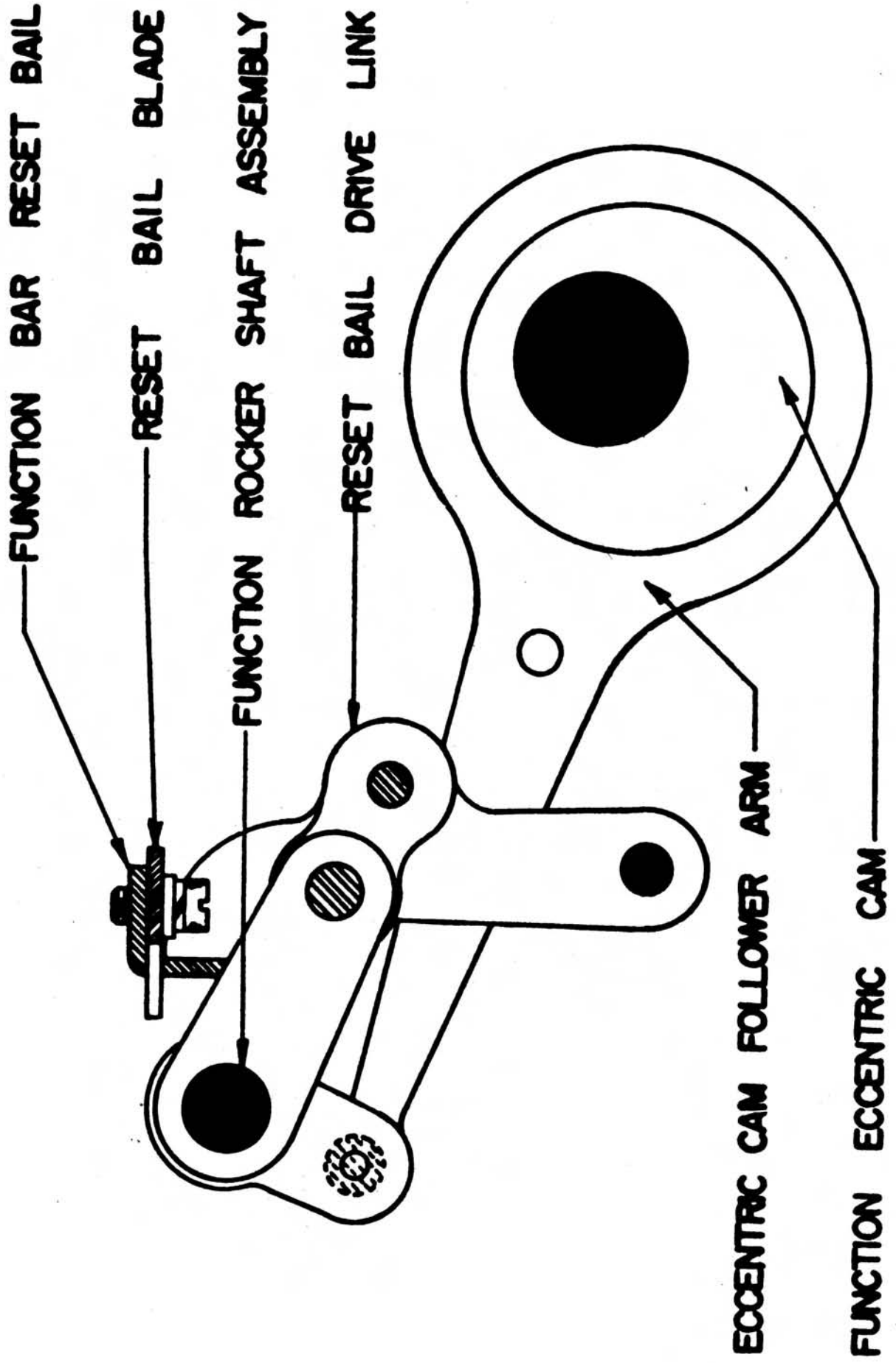


FIGURE 55. FUNCTION RESET BAIL MECHANISM

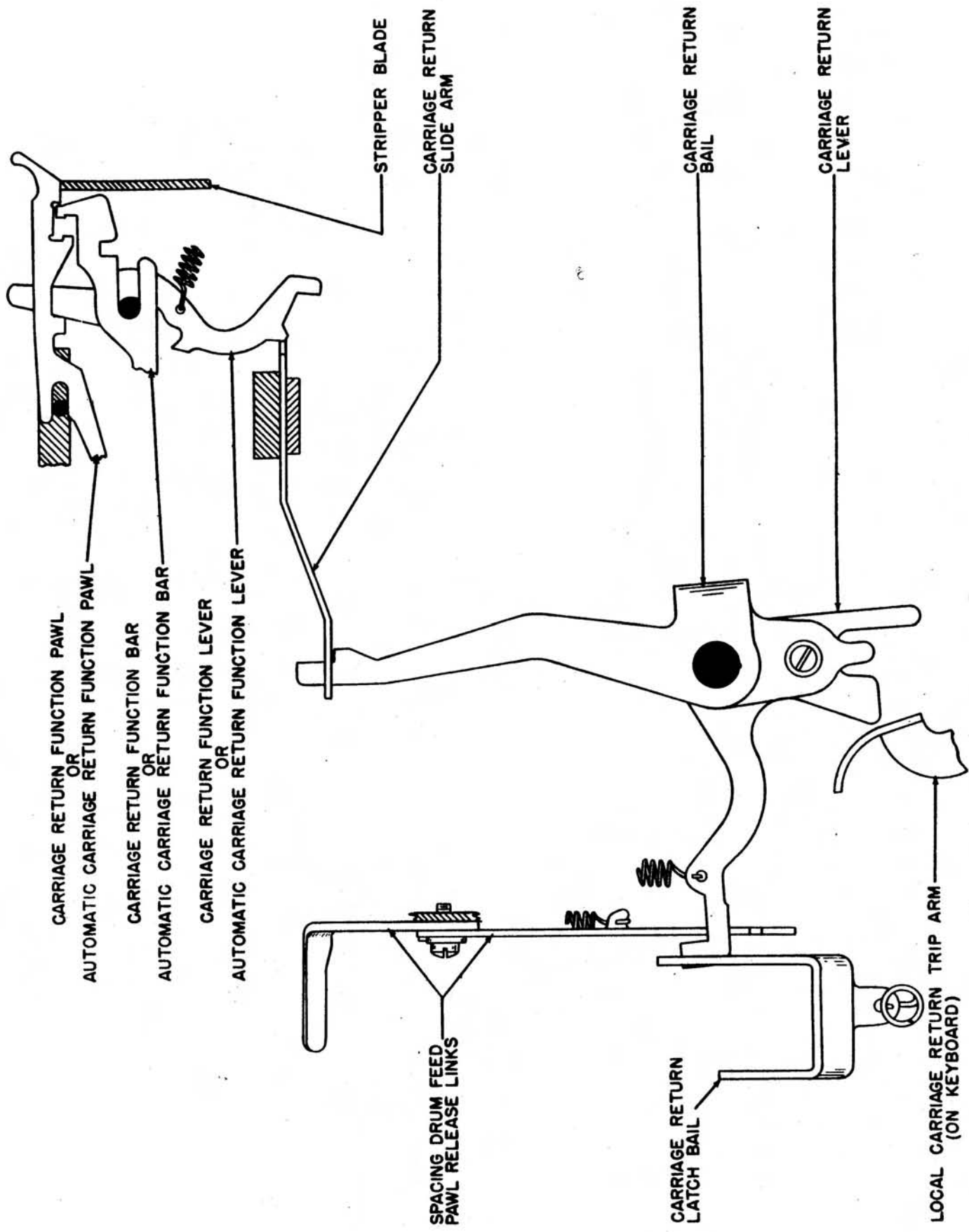


FIGURE 56. CARRIAGE RETURN FUNCTION MECHANISM

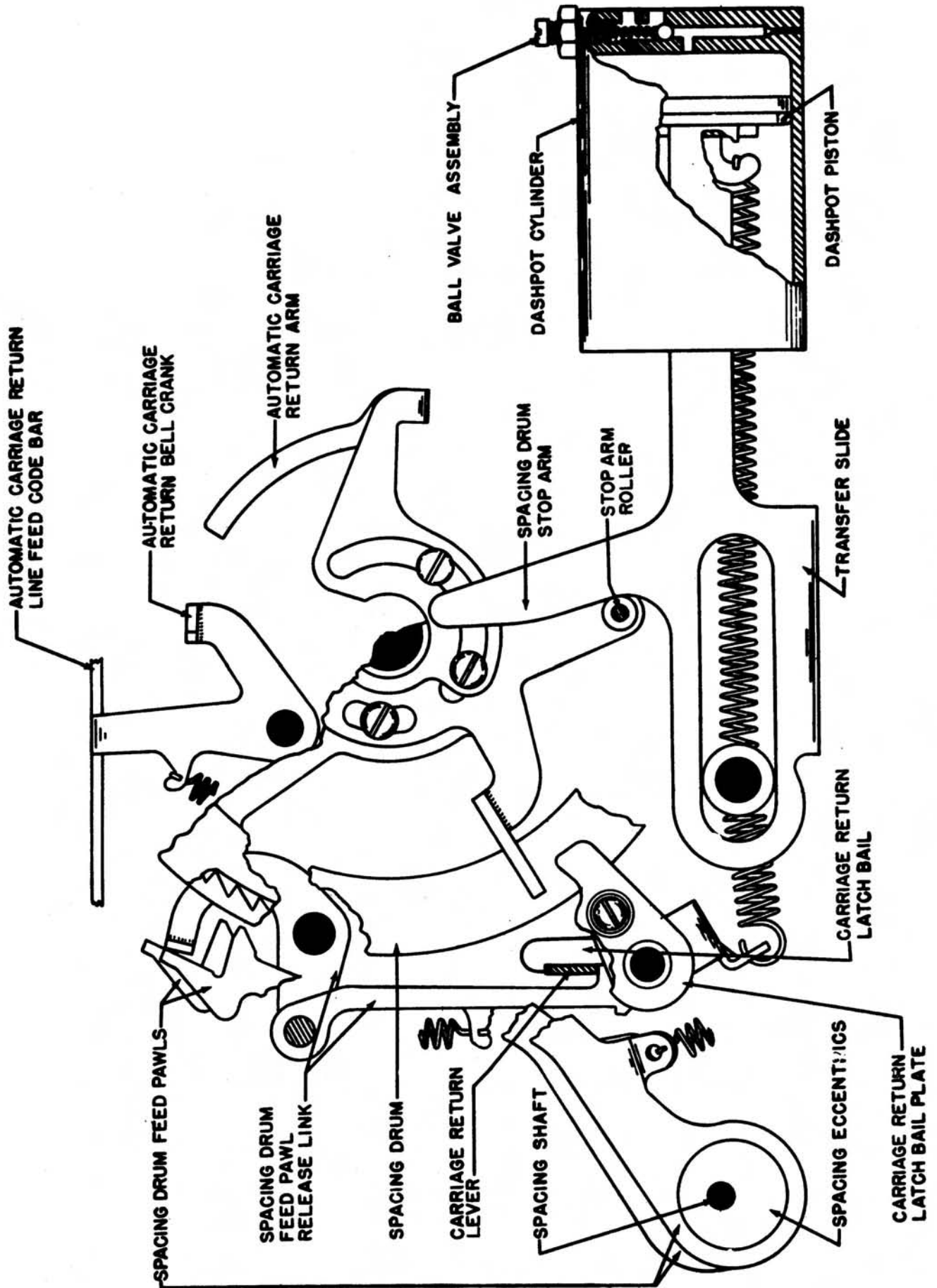


FIGURE 57. CARRIAGE RETURN MECHANISM

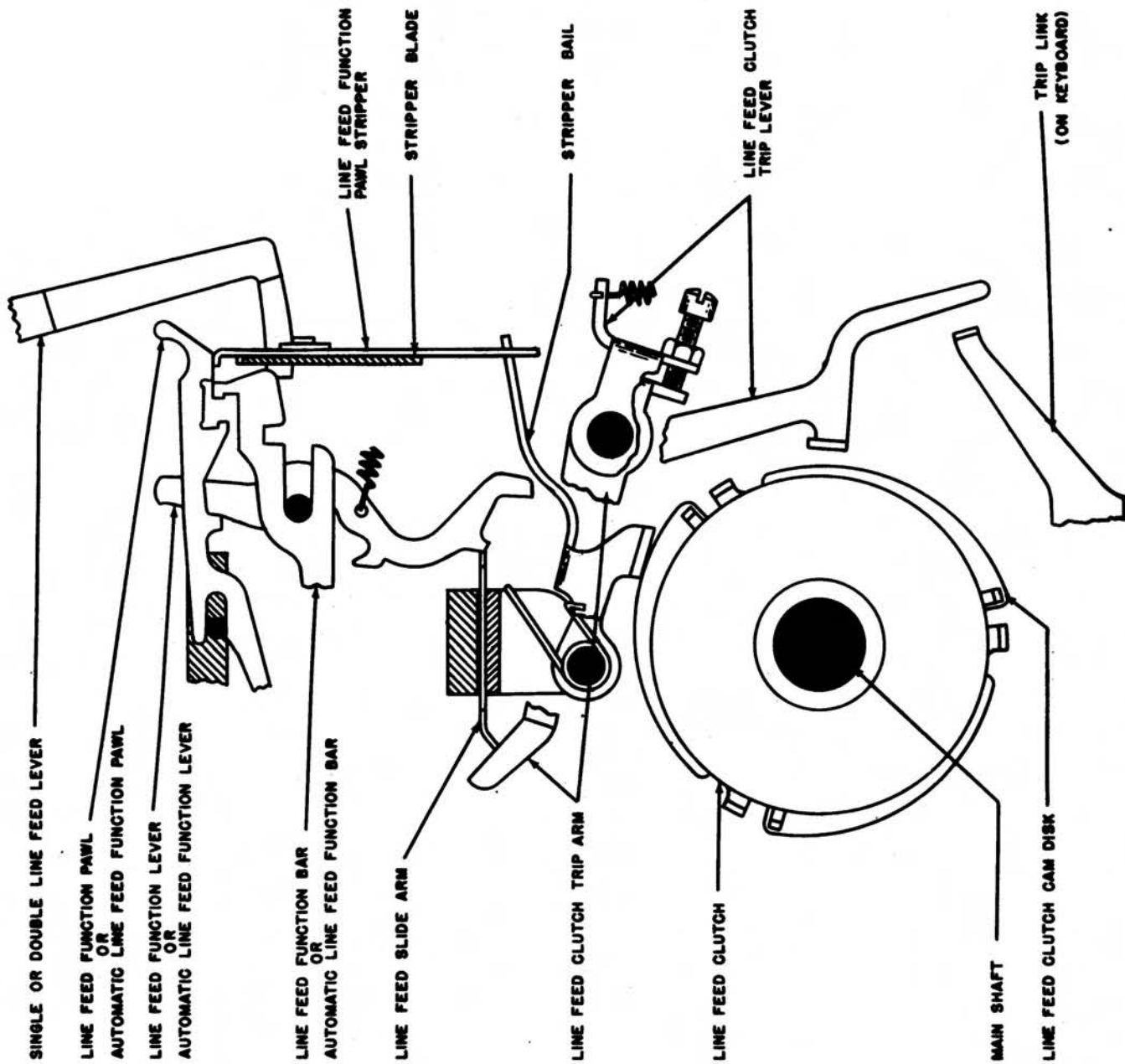


FIGURE 58. LINE FEED FUNCTION AND CLUTCH TRIP MECHANISM .

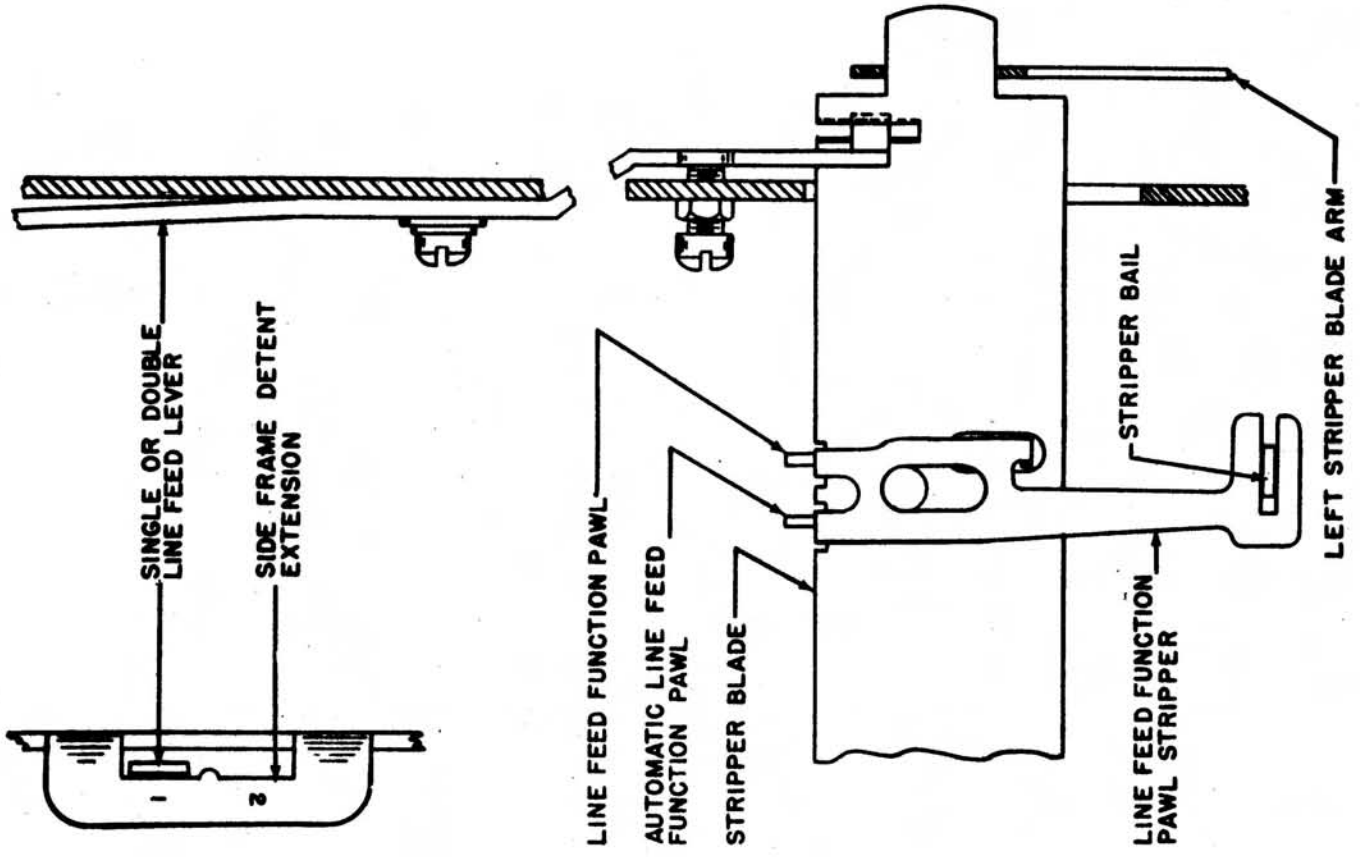


FIGURE 59. POSITIONING MECHANISM FOR SINGLE OR DOUBLE LINE FEED

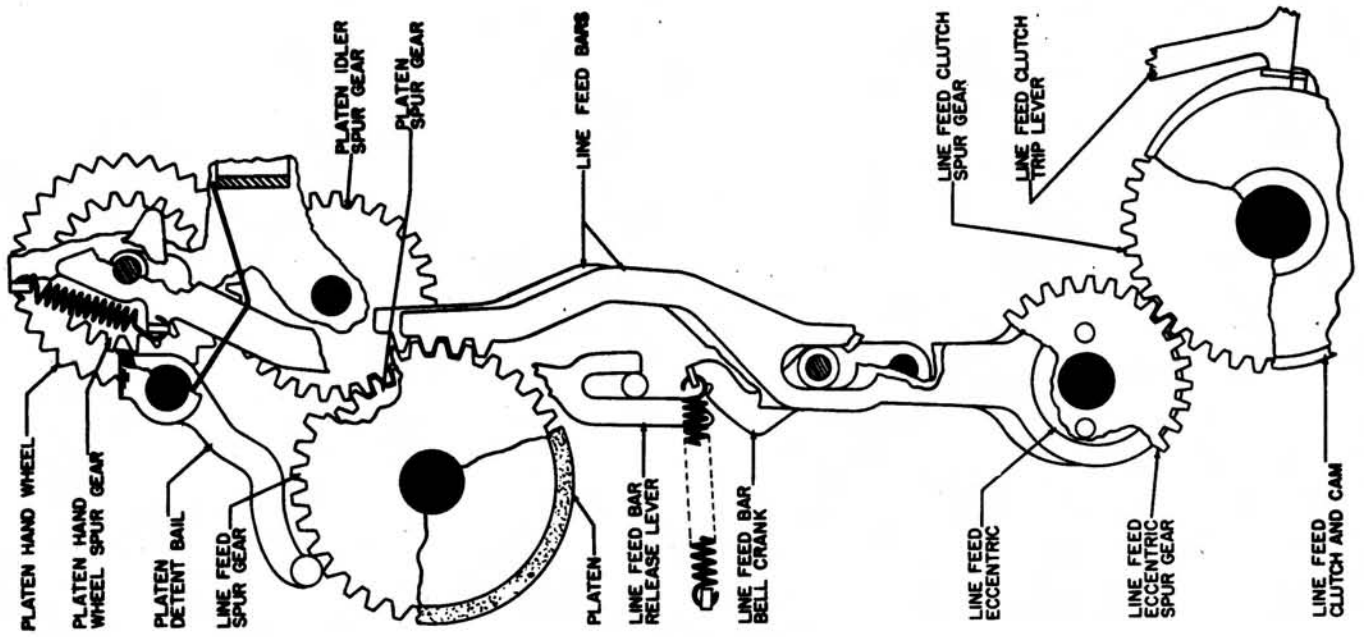


FIGURE 60. LINE FEEL MECHANISM •

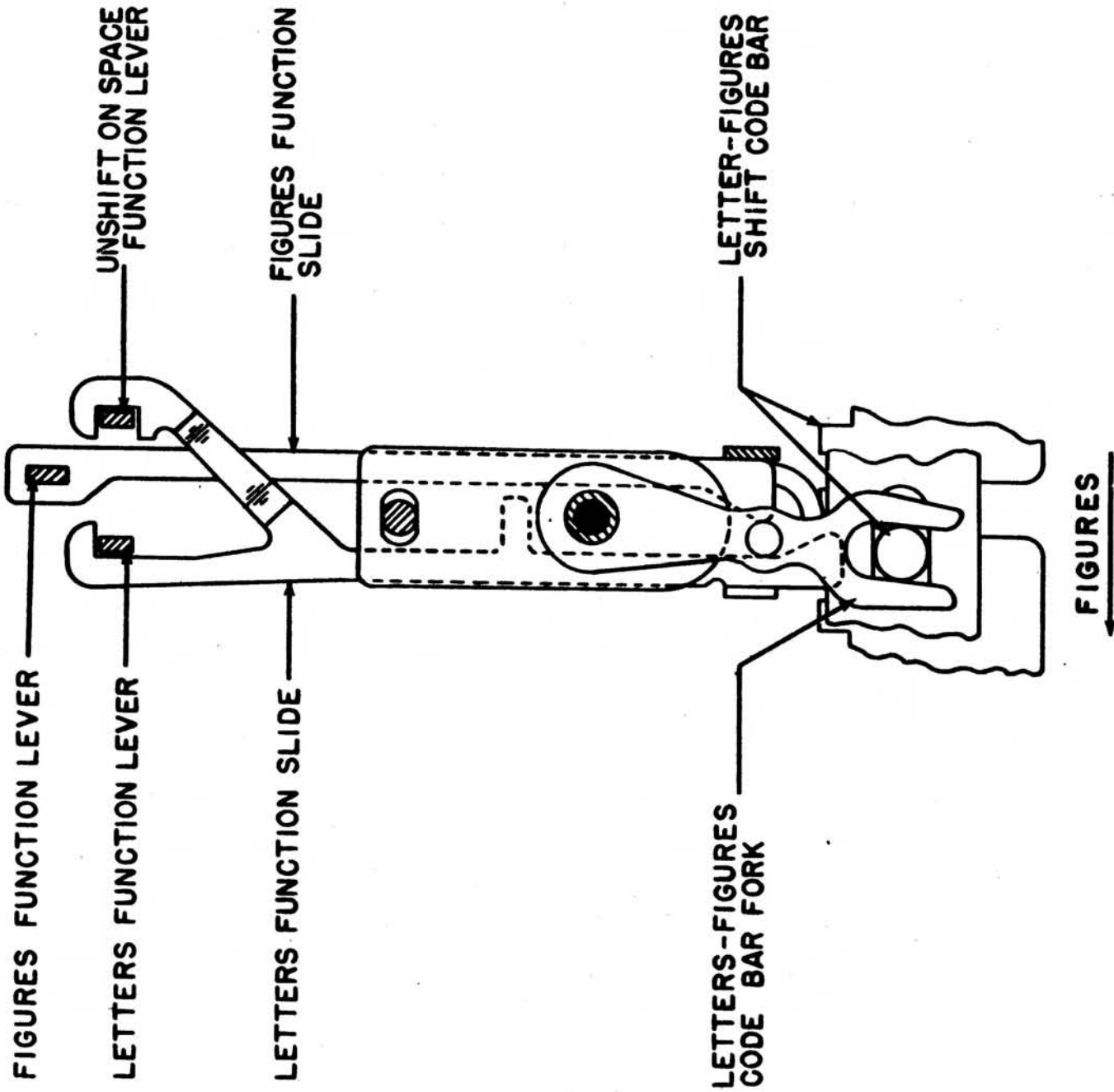


FIGURE 61. LETTERS-FIGURES FUNCTION SLIDES, FIGURES POSITION

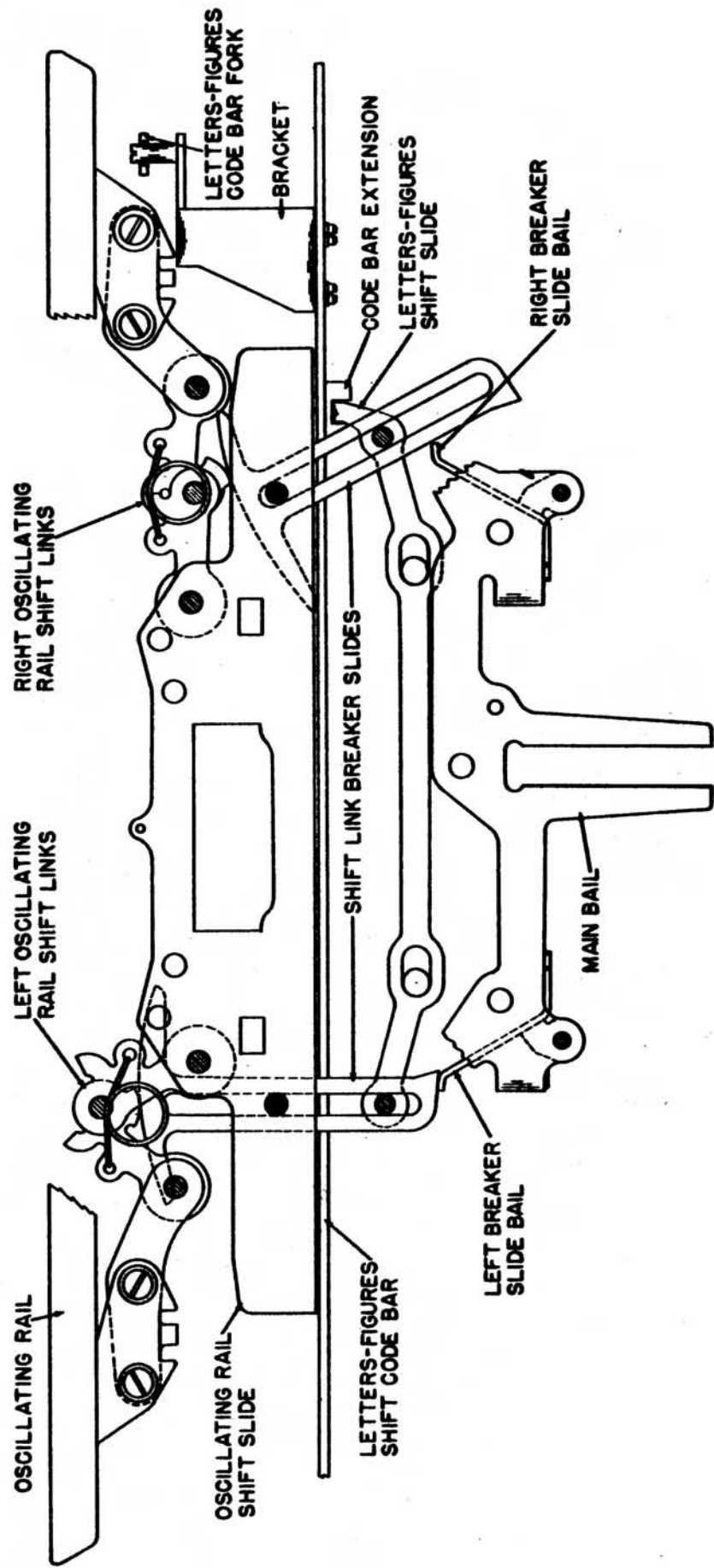


FIGURE 62. LETTERS-FIGURES SHIFT MECHANISM. LETTERS POSITION.

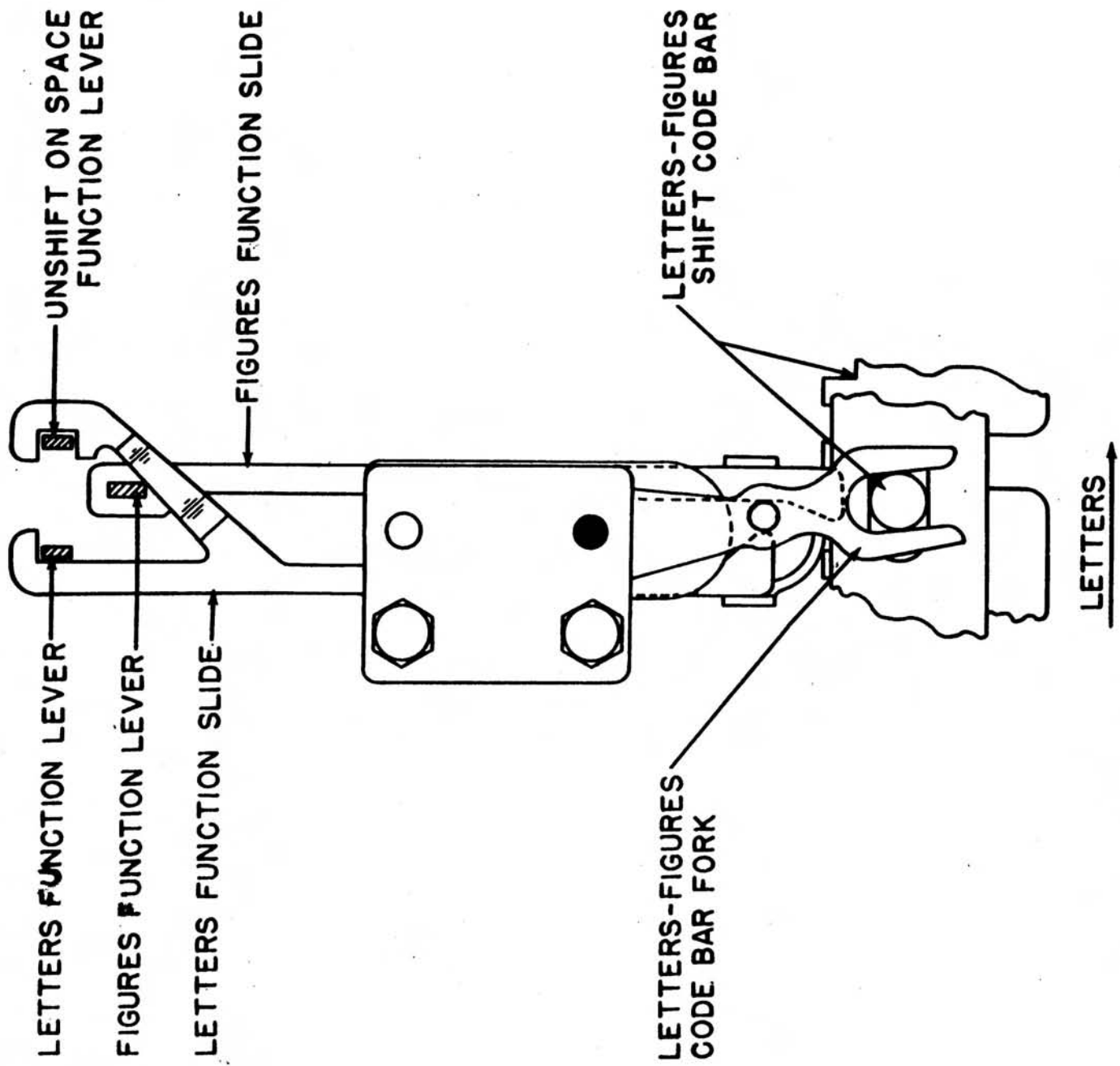
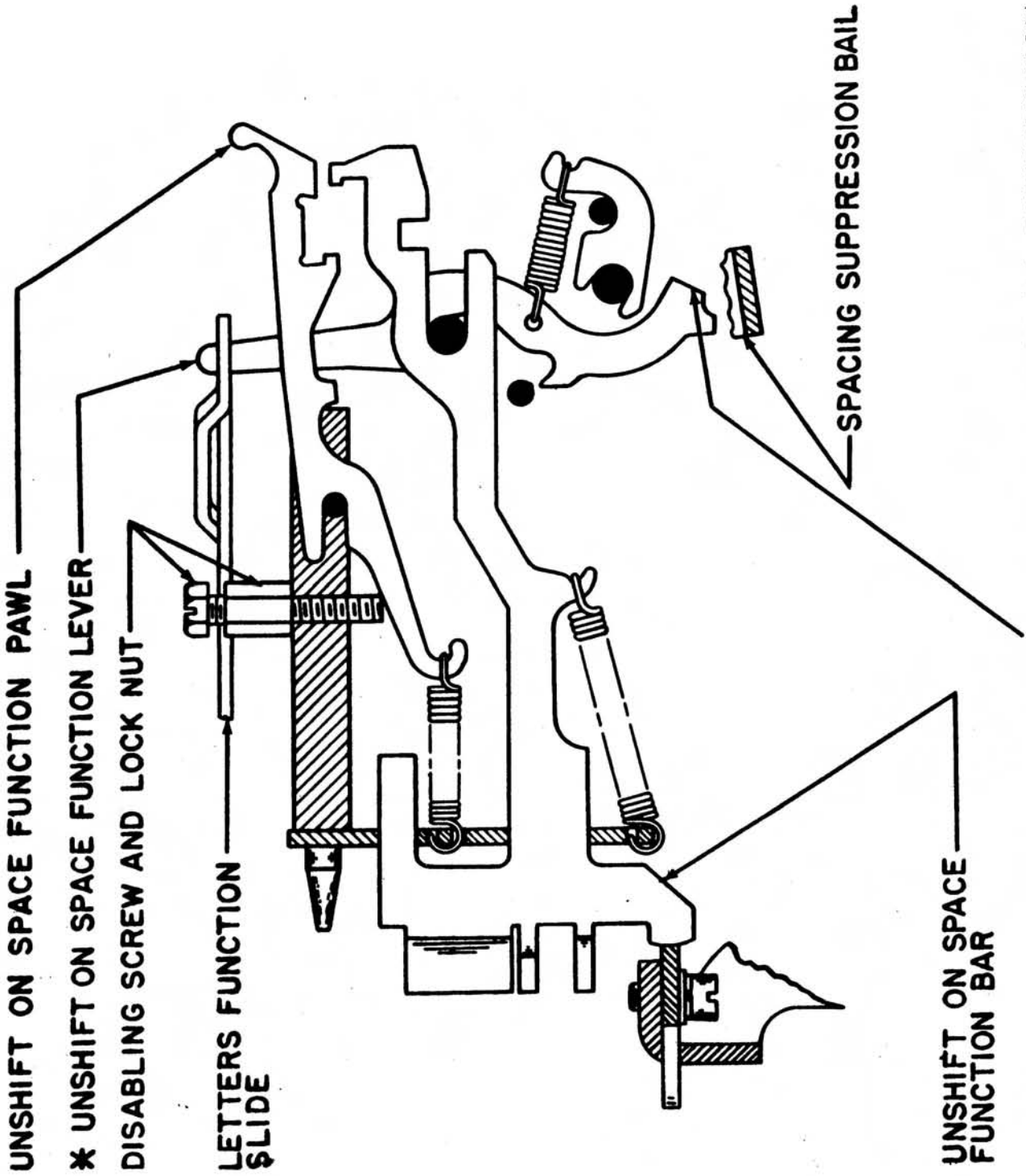


FIGURE 63. LETTERS-FIGURES FUNCTION SLIDES, LETTERS POSITION



UNSHIFT ON SPACE FUNCTION PAWL

* UNSHIFT ON SPACE FUNCTION LEVER

DISABLING SCREW AND LOCK NUT

LETTERS FUNCTION \$ SLIDE

SPACING SUPPRESSION BAIL

UNSHIFT ON SPACE FUNCTION BAR

* LOWER PROJECTION OMITTED TO PREVENT SPACING SUPPRESSION (SEE TEXT)

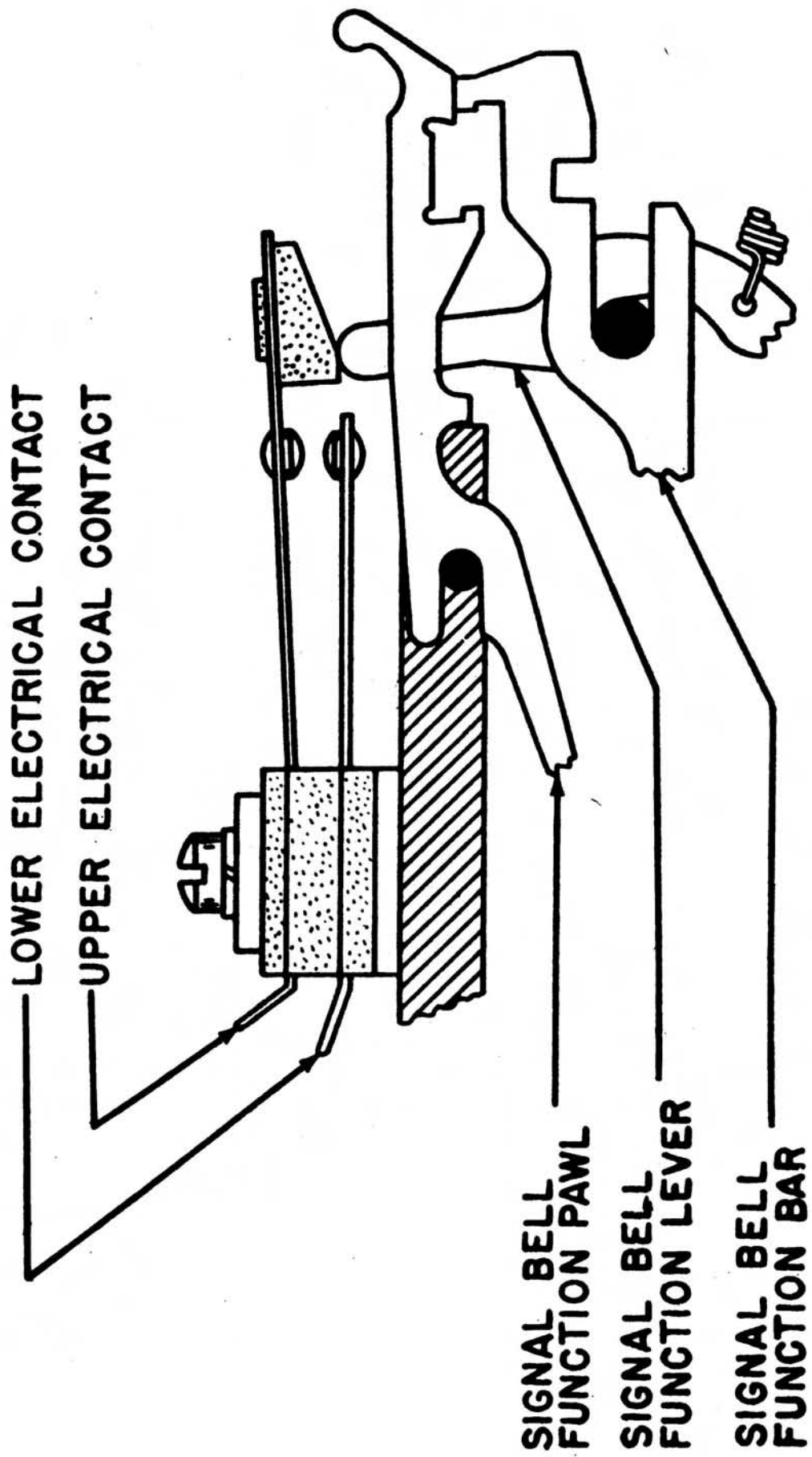


FIGURE 65. SIGNAL BELL CONTACT MECHANISM, UNSELECTED

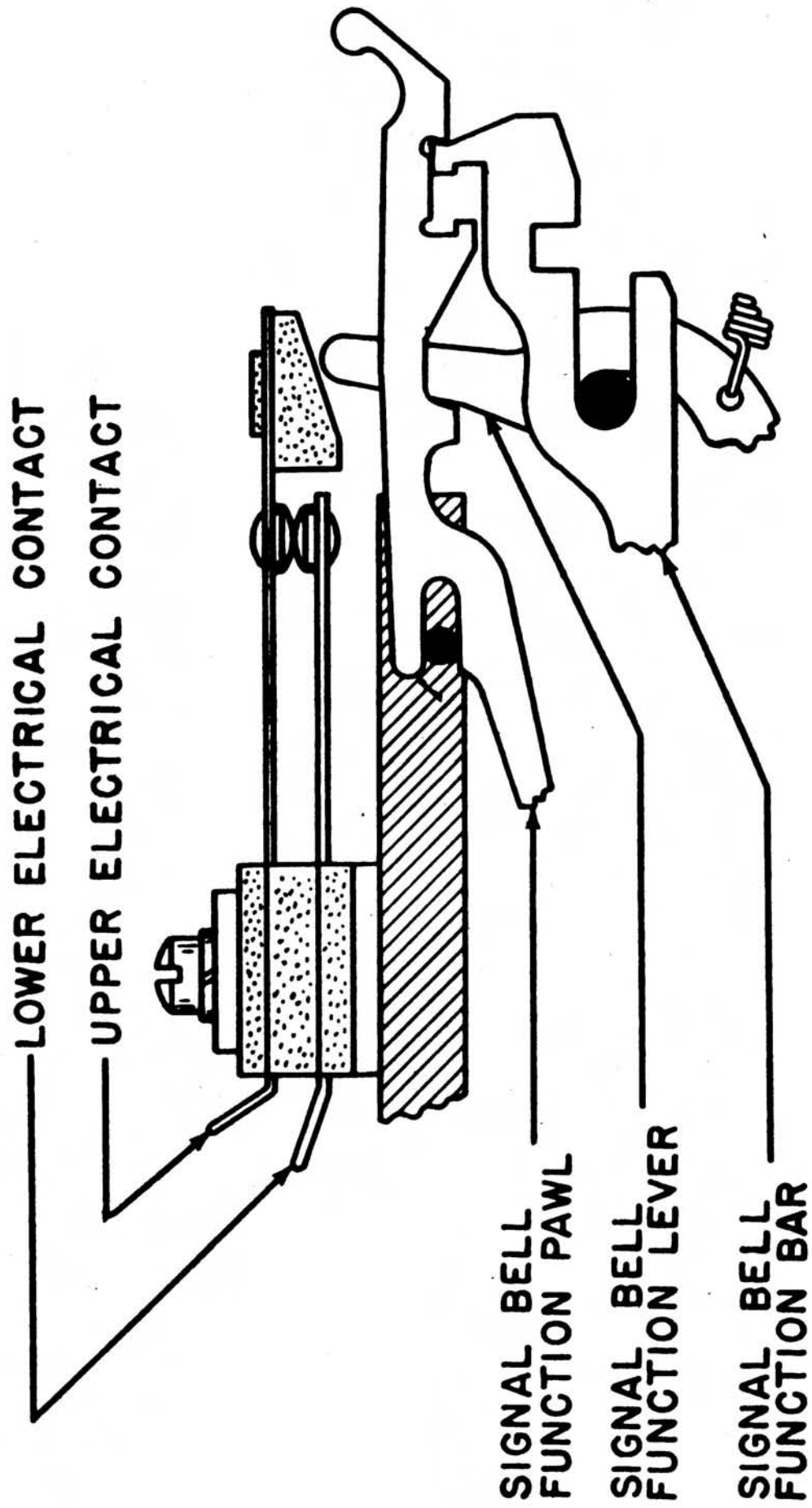
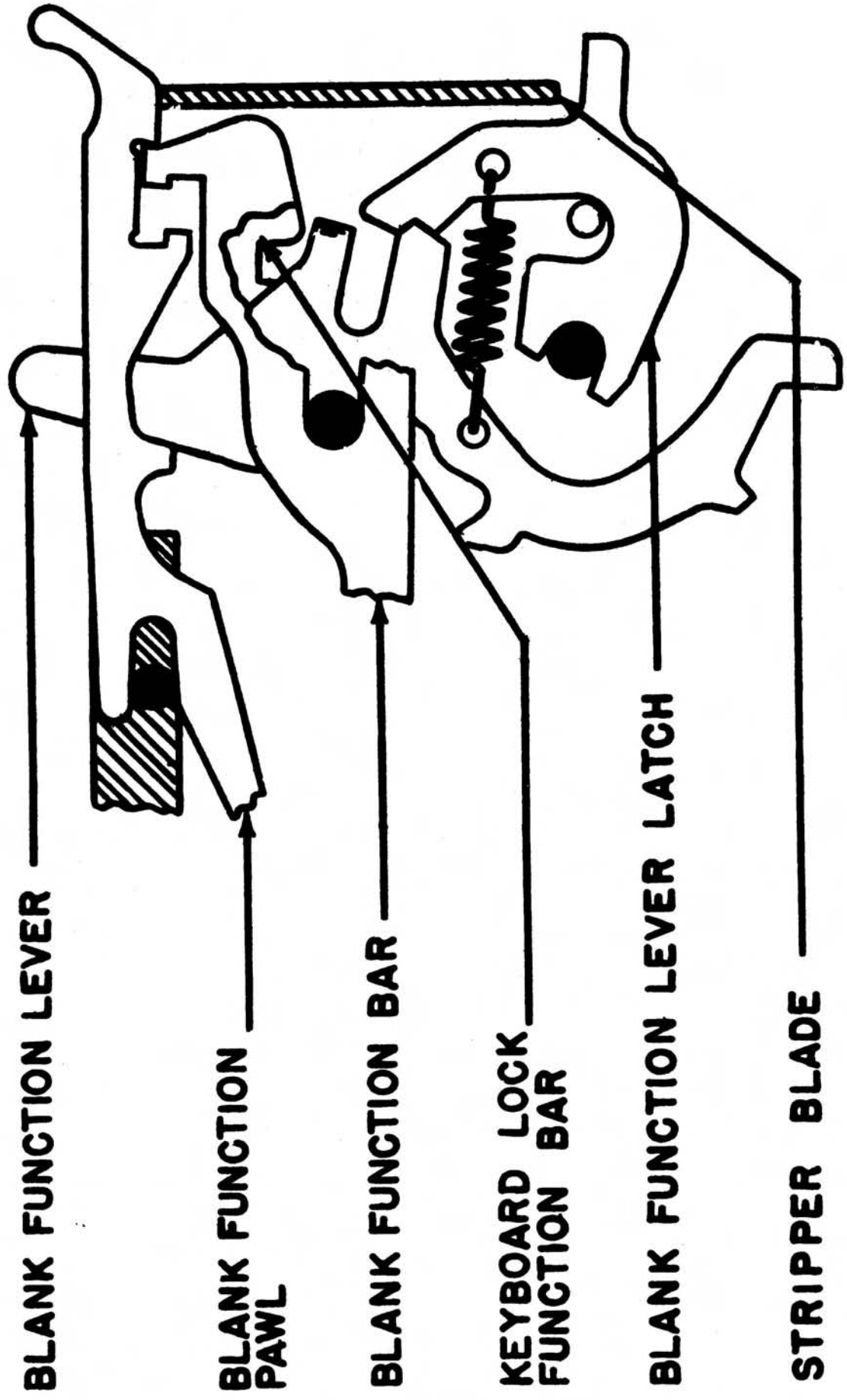


FIGURE 66. SIGNAL BELL CONTACT MECHANISM, SELECTED



BLANK FUNCTION LEVER

BLANK FUNCTION PAWL

BLANK FUNCTION BAR

KEYBOARD LOCK FUNCTION BAR

BLANK FUNCTION LEVER LATCH

STRIPPER BLADE

FIGURE 67. KEYBOARD LOCK PRIMING MECHANISM .

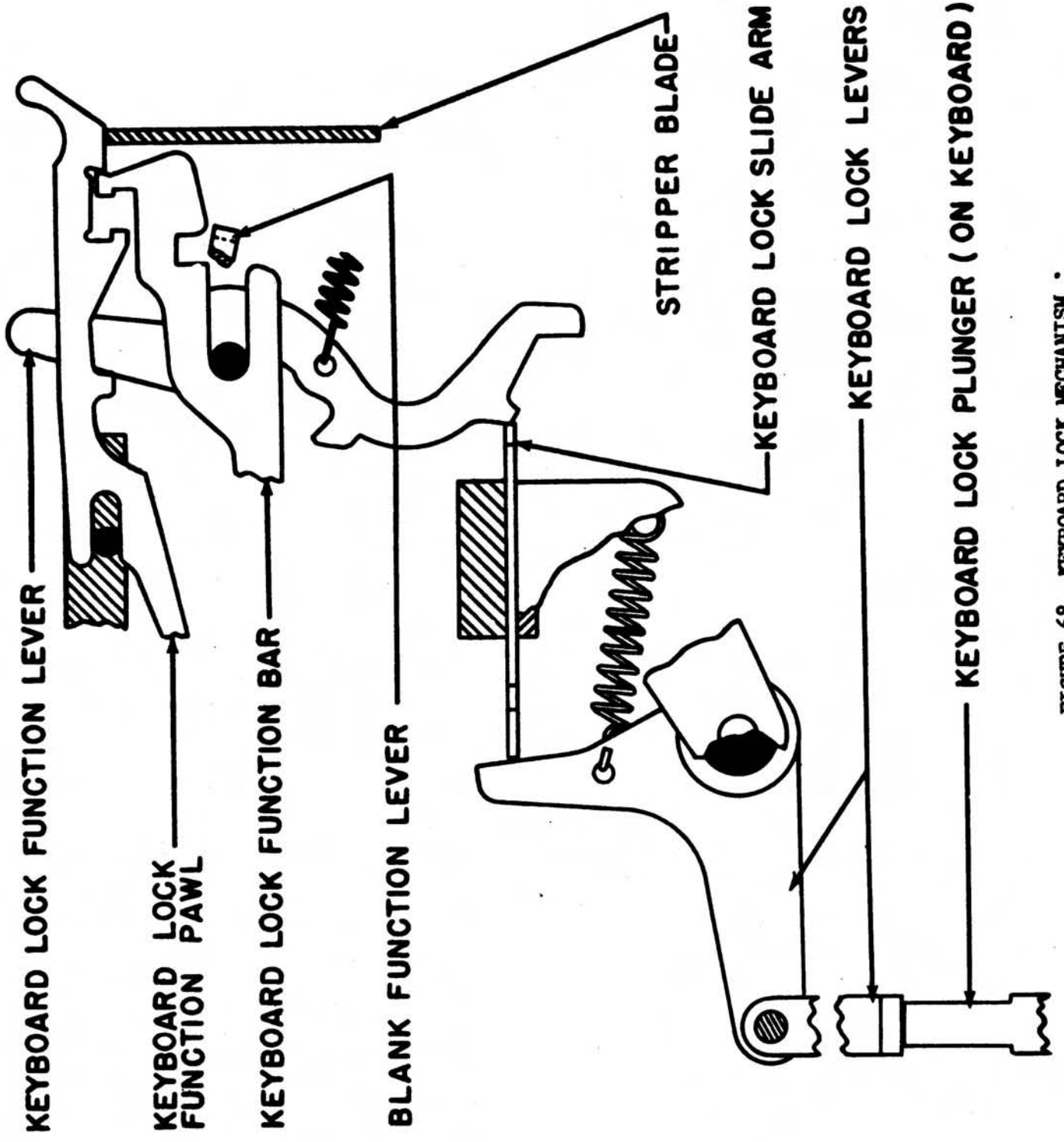


FIGURE 68. KEYBOARD LOCK MECHANISM .

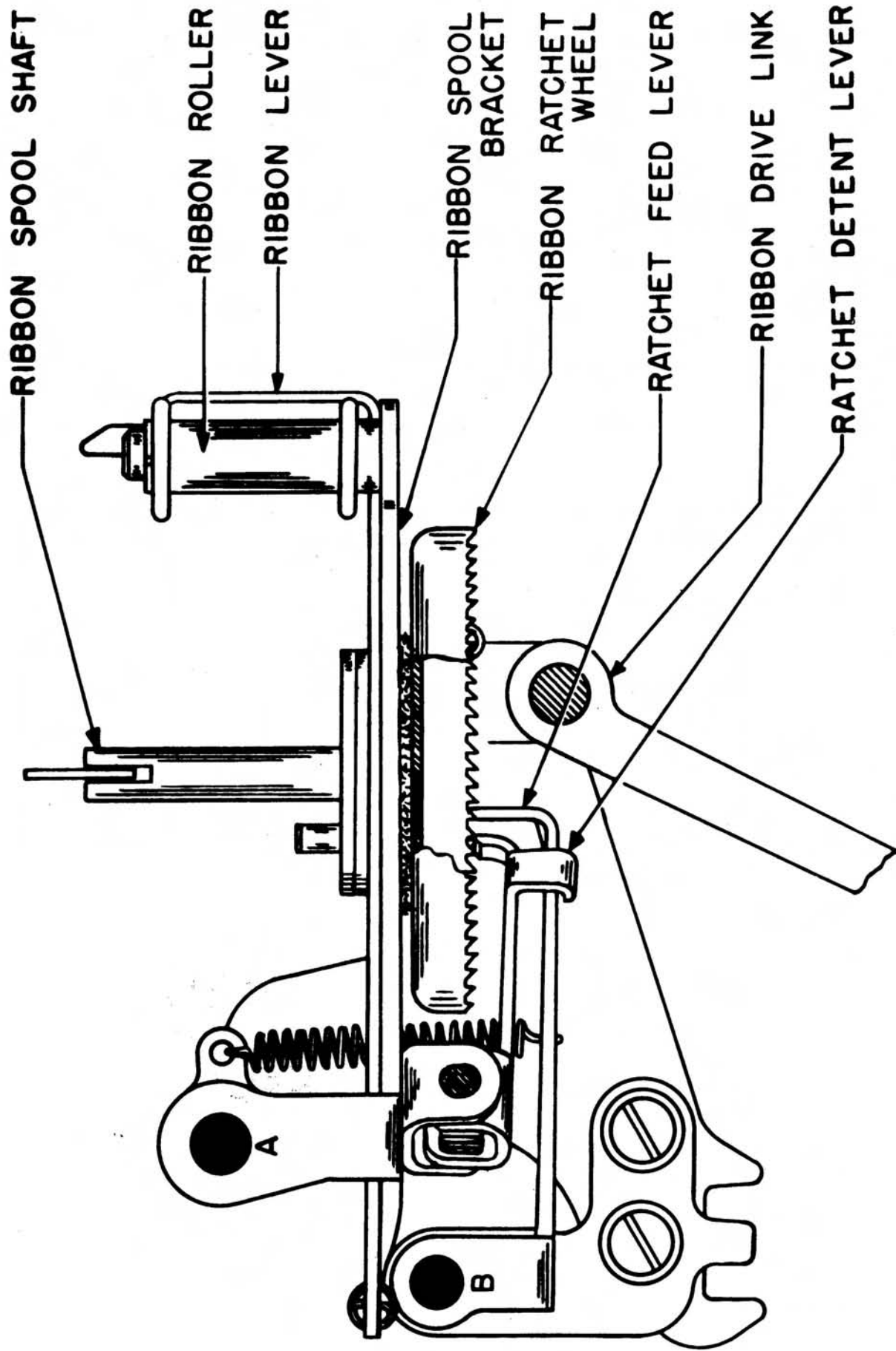


FIGURE 60 RIBBON MECHANISM LEFT SIDE

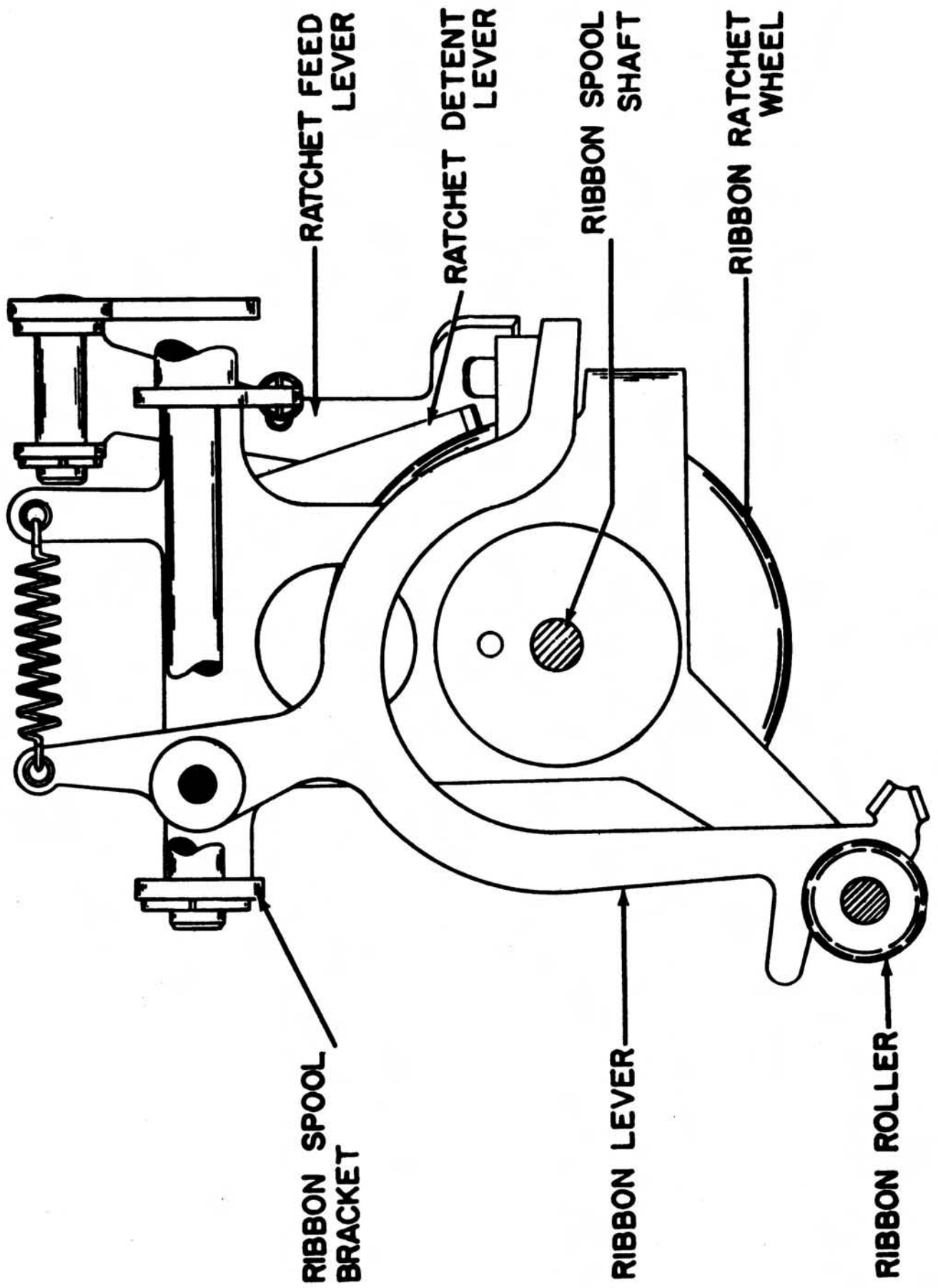


FIGURE 70. RIBBON MECHANISM, LEFT TOP VIEW

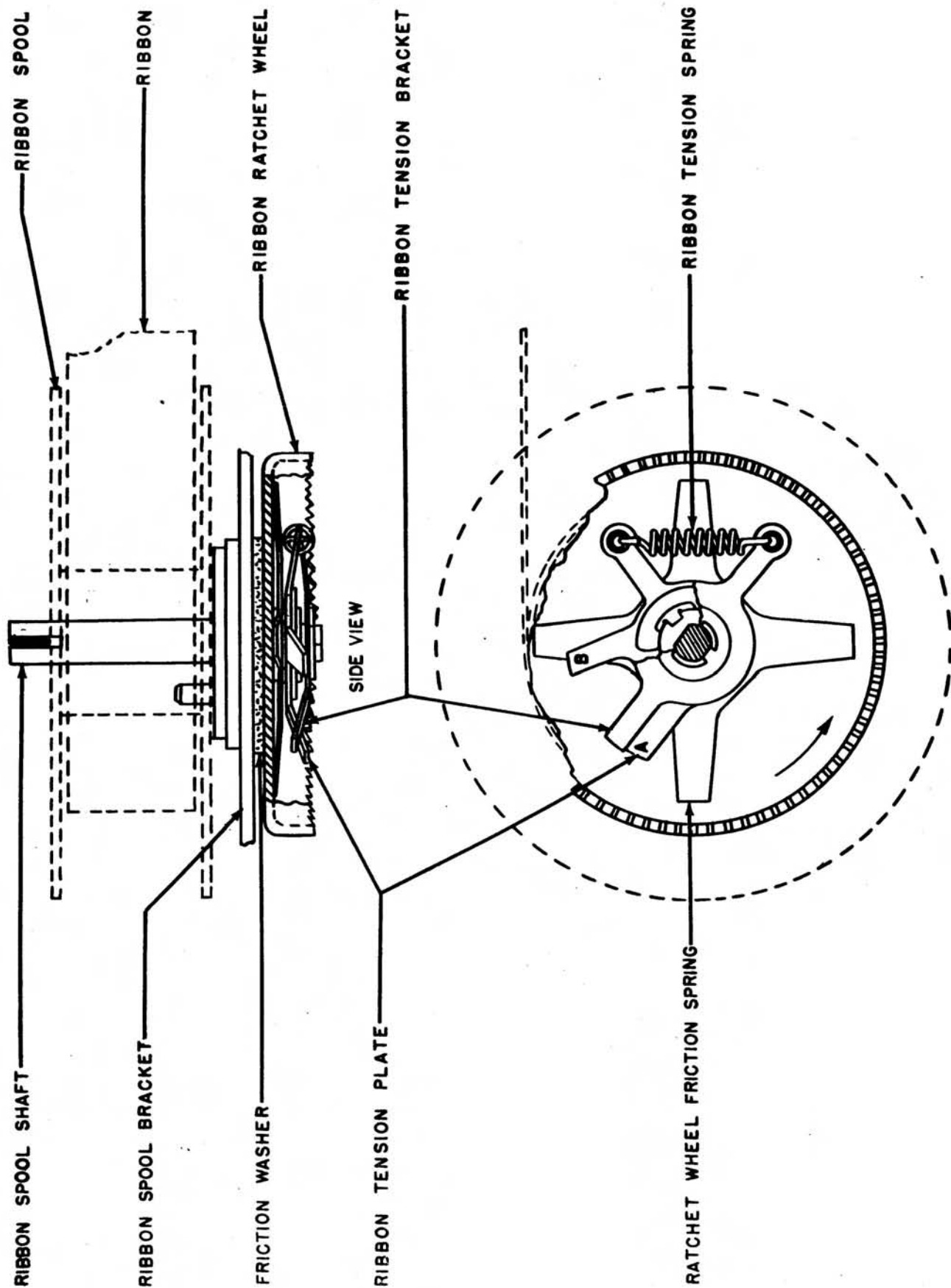


FIGURE 71. RIBBON TENSION MECHANISM

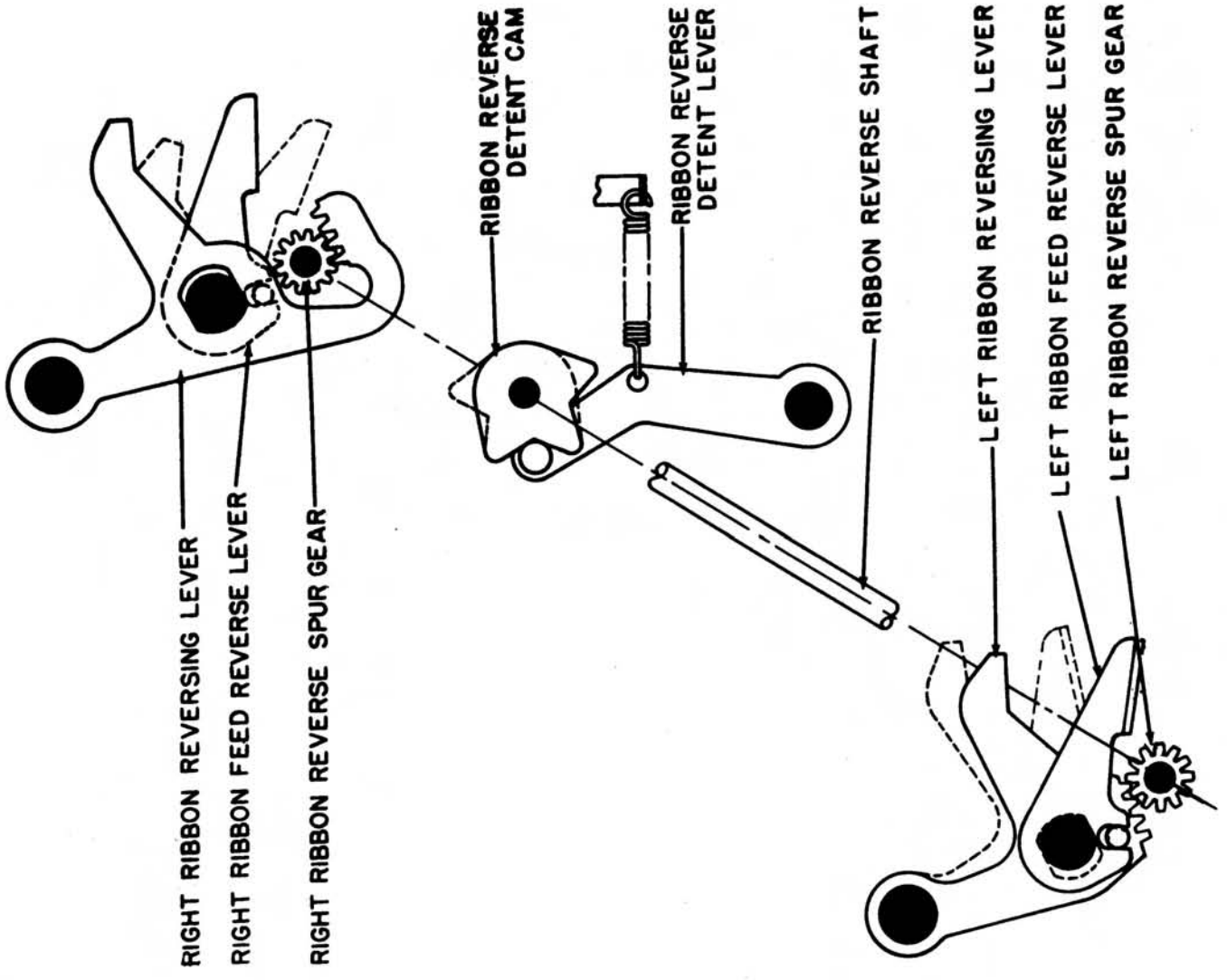


FIGURE 72. RIBBON REVERSING MECHANISM

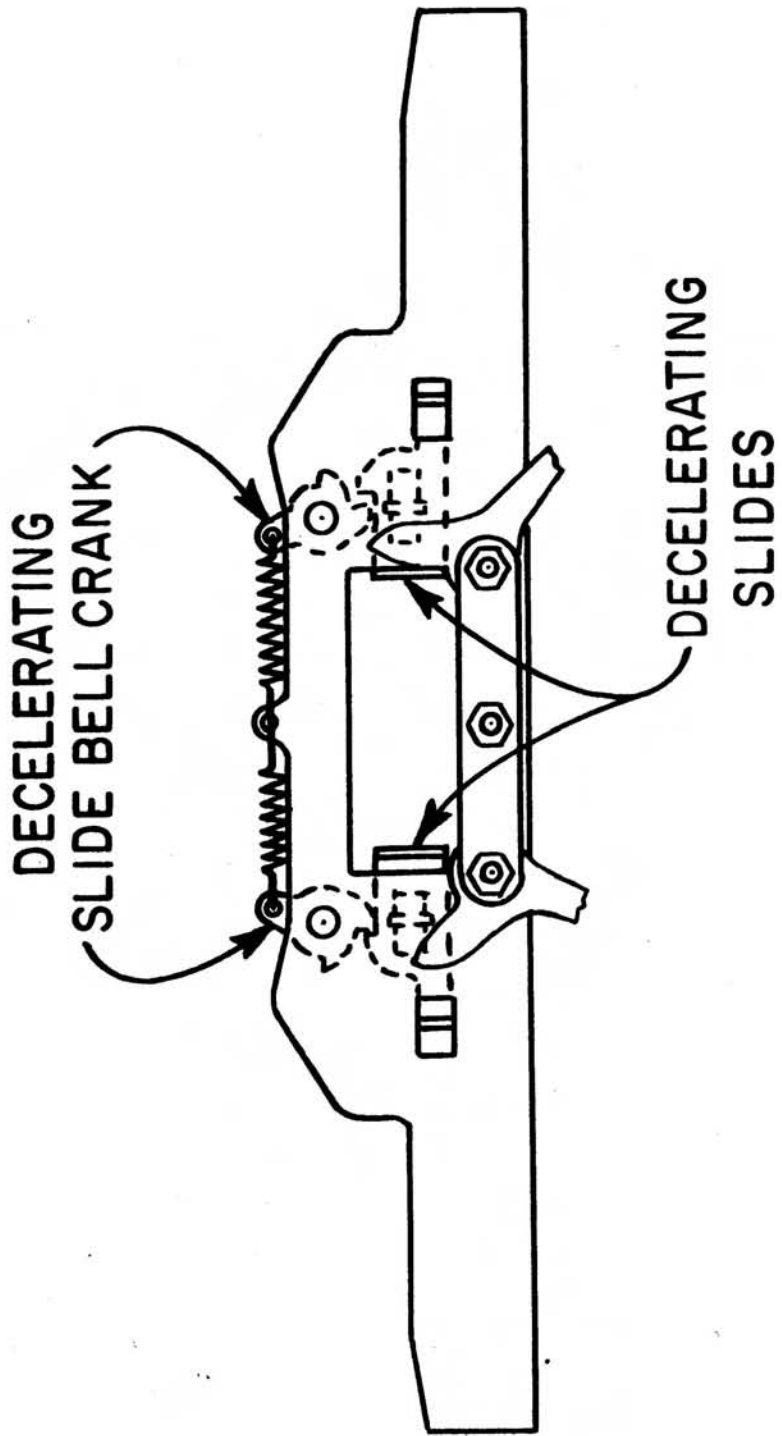


FIGURE 73 - DECELERATION