

CHANGES AND ADDITIONS TO
PARTS BULLETINS 1064B, ISSUE 2 AND 1080B, ISSUE 1
SINGLE MAGNET REPERFORATOR
(MODELS 14 AND 20 NONTYPING)

PAGE 1. BASE

Add 129663 switch cover-fibre between 74620 switch and 118442 bracket.

The 1161 screw for securing the ground wire has been replaced by an 1160 screw.

The 73670 terminal block assembly also includes the 73705 terminal block.

PAGE 2. MAIN SHAFT

The 72884 friction disc has been replaced by a 111686 friction disc.

PAGE 3. SELECTOR UNIT

The 7586 adjusting screw has been replaced by a 74724 adjusting screw.

The 74986 screw and 74722 washer mounting the armature bracket have been replaced by an 8539 screw and 124973 washer.

The 8539 screw mounting the yoke bracket and mounting block has been replaced by a 6811 screw.

The 33-198 screw securing the eccentric stop has been replaced by an 1160 screw.

The 2034 washer used with the 6942 screw has been replaced by a 125011 washer.

PAGE 4. RANGE SCALE

The 90088 trip latch has been replaced by a 6830 trip latch.

PUNCH BLOCK ASSEMBLY

The 81515 punch holder has been replaced by a 110733 punch holder.

The 77984 guide plate has been replaced by a 110730 guide plate.

PAGE 5. PUNCH UNIT

Add a 110441 washer to the 73482 stud mounting the tape tension lever.

Add a 2191 lock washer to the 8543 screw securing the tape knife.

The 74059 screw and 7002 washer securing the roller arm have been replaced by an 80444 screw and 90790 washer.

The 41385 spring has been replaced by a 110839 spring.

PAGE 6. (1064B ONLY) RESISTOR AND BRACKET

Add a 2191 lock washer to the 74059 screw fastening the terminal to the 74059 screw fastening the terminal to the resistor.

Add 96261 wire strap-BK(# 3/4" long) under the 96255 wire strap-w.

PAGE 7. FILTER ASSEMBLY

The 92229 line relay radio filter assembly has been replaced by 111664 line relay filter assembly and is subject to the following changes:

Delete 74614 resistor

The 61-24 washers-bakelite have been replaced by 75750 washers-fibre.

CONNECTING BLOCK ASSEMBLY

The 75436 resistor has been replaced by a 74614 resistor 2600 ohms (2000-600).

RESISTOR UNIT

The 73357 terminal end assembly also includes the 89925 terminal block.

The 1026 screw securing the resistor mounting brackets has been replaced by an 1169 screw.

PAGE 8. TARGET LAMP

Add 2407 lock washer between the 91683 nut and the under side of the lamp bracket.

See revised drawing of the tape reel assembly for changes in part numbers. Page 4 of this correction sheet.

COVER ASSEMBLY

The 102504 cover assembly-black wrinkle has been replaced by RPEC200AA cover assembly-black wrinkle and is subject to the following changes:

Delete 76099 washer and 71646 nut.

Add 1207 screw, 3640 lock washer, 125011 washer and 125235 nut to fasten the range finder door hinge to the cover.

Add the 118122AA range finder door-black wrinkle (complete with hinges and 74637 springs).

The 1174 screw securing the lid retaining link has been replaced by a 94669 screw.

PAGE 10. MOTOR

See bulletin 1147B, Page 7 for changes in component parts.

PAGE 11. CENTER CONTACT GOVERNOR ASSEMBLY

Add 7002 washer to the 6347 screw securing the 6319 block.

GOVERNOR BRUSH AND SPEED ADJUSTING BRACKET ASSEMBLY

The 80341 governor brush and speed adjusting bracket assembly has been replaced by a 107095 governor brush and speed adjusting bracket assembly and is subject to the following changes.

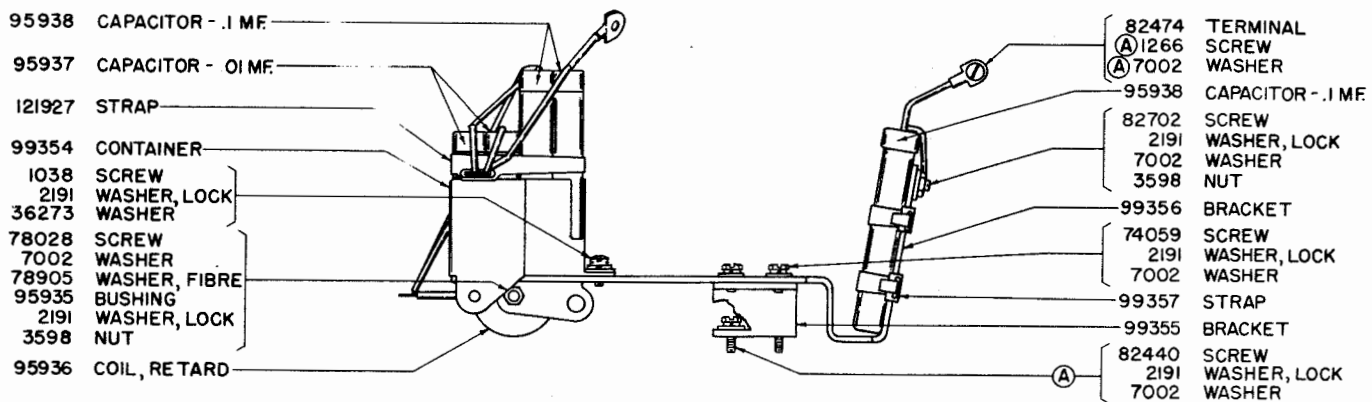
The 80342 screw has been replaced by an 82440 screw and a 7002 washer is used in addition to the 2191 lock washer.

The 82440 screw, 2191 lock washer, 7002 washer and 80335 clamping plate are not included in the 107095 governor brush and speed adjusting bracket assembly and must be ordered separately.

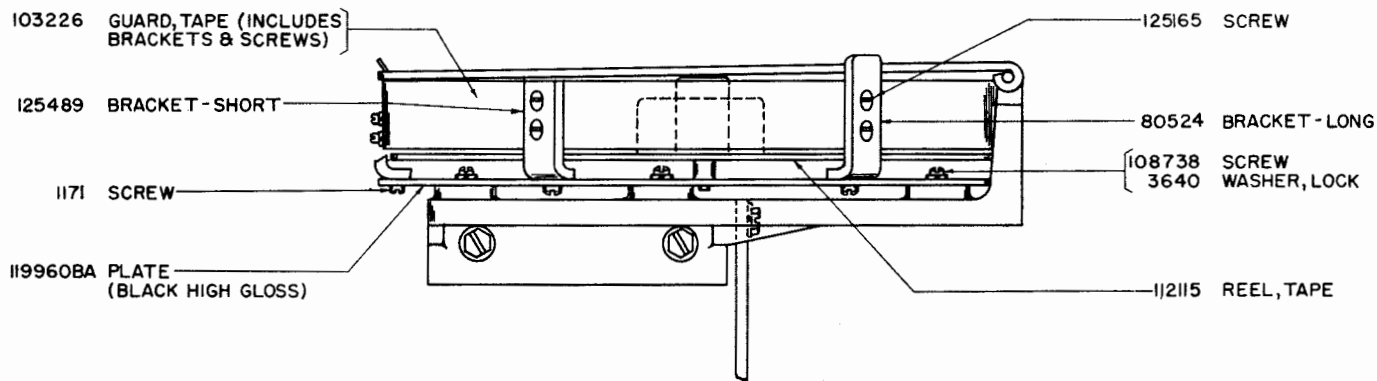
PAGE 12. TUNING FORK

The 72637 tuning fork has been replaced by a 103628 tuning fork.

* * *



III252 FILTER ASSEMBLY
(EXCLUDES PARTS MARKED (A))



TAPE REEL