

INSTRUCTIONS FOR INSTALLING THE 193940 MODIFICATION
KIT TO PROVIDE LARGE CAPACITY OIL RESERVOIR FOR HIGH
SPEED TAPE HANDLING STANDS (LTHS202,207, AND 209)

1. GENERAL

a. The 193940 Modification Kit provides a large capacity oil reservoir for High Speed Tape Handling Stands (LTHS202,207 and 209). This kit provides more adequate lubrication for the stands.

b. The 193940 Kit consists of:

| | | |
|---|--------|--------------|
| 1 | 193661 | Reservoir |
| 1 | 193662 | Holder, Wick |
| 1 | 193663 | Wick |

c. For part numbers referred to and for parts ordering information see Teletype Model 28 Reperforator Transmitter Set Parts Bulletin 1168B.

2. INSTALLATION (Figure 1)

a. Discard the 174336 Reservoir, 174337 Wick Holder and 174338 Wick by removing the 151631 Screw and 2191 Lock Washer. Retain the mounting hardware.

b. Assemble the 193661 Reservoir using the hardware retained above. See Figure 1 for assembly of the 193662 Wick Holder, 193663 Wick and 193661 Reservoir.

3. ADJUSTMENTS AND LUBRICATION

a. For adjustments and lubrication of related equipment see Teletype Bulletin 248B (Bell System refer to standard information).

b. Make the adjustments shown on Figure 1 and Figure 2.

*

*

*

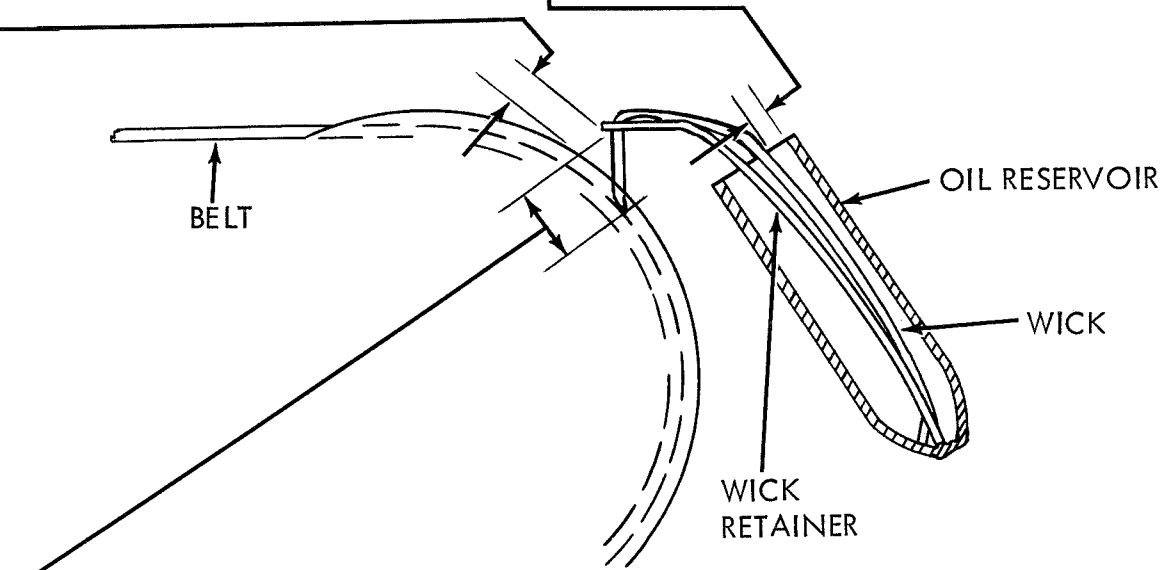
WICK RETAINER
REQUIREMENT

WICK RETAINER SHOULD BE
MIN. 0.125 INCH --- MAX. 0.250 INCH

TO ADJUST
FORM WICK RETAINER TO MEET REQUIREMENT.

WICK
REQUIREMENT

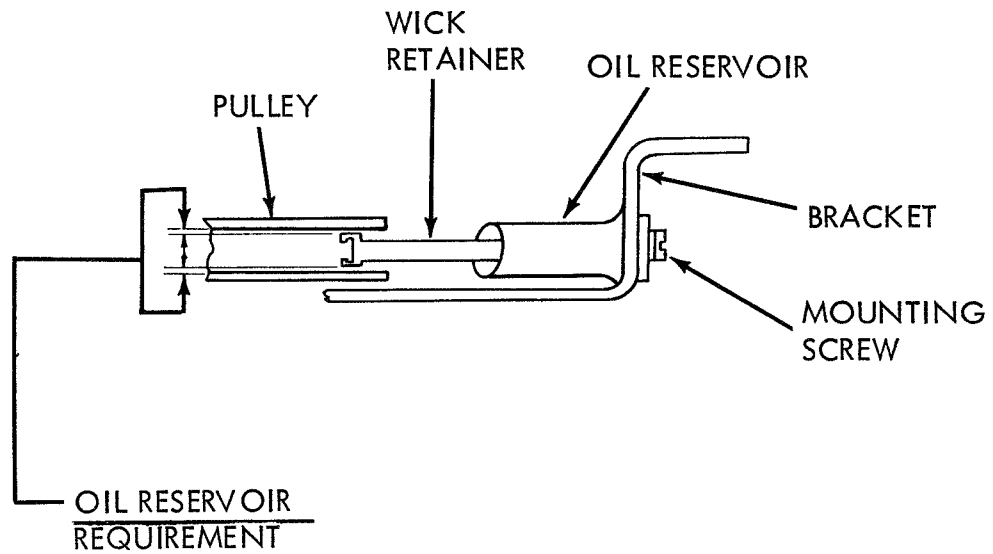
(1) THERE SHOULD BE SOME CLEARANCE
BETWEEN THE WICK AND TOP OF
RESERVOIR WHEN RETAINER IS IN ITS
NORMAL POSITION AT THE BOTTOM OF
RESERVOIR.



(2) PORTION OF WICK THAT RIDES BELT
SHOULD PROTRUDE APPROXIMATELY
7/8 INCH FROM ITS RETAINER.

TO ADJUST
REMOVE WICK FROM THE RETAINER
NOTCHES AND POSITION TO MEET
REQUIREMENTS.

FIGURE 1



OIL RESERVOIR
REQUIREMENT

OIL RESERVOIR POSITION SUCH THAT
THE WICK RETAINER IS APPROXIMATELY
CENTERED WITH THE PULLEY GROOVE.

TO ADJUST
WITH RESERVOIR MOUNTING SCREW LOOSE,
POSITION THE RESERVOIR.

FIGURE 2

