

INSTRUCTIONS FOR INSTALLING THE 182087 POLAR ADAPTER  
TO CONVERT TYPE N OR NL CALL CONTROL ASSEMBLIES INTO  
TYPE ND OR NDL CALL CONTROL ASSEMBLIES (POLAR OPERATION)  
FOR USE IN TELEX SERVICE

1. GENERAL

- a. The 182087 Polar Adapter converts a Type N or Type NL into a Type ND or Type NDL Call Control Unit (polar operation).
- b. Call control assemblies that are modified for polar operation respond to and transmit polar telegraph signals on separate receiving and sending "legs" extending to the telegraph exchange facilities. The operating conditions and sequence are similar to that for neutral signaling. Refer to Teletype Bulletin 273B for more detailed information.
- c. The 182087 Polar Adapter is shipped completely assembled; however, the necessary contact relays are not furnished and must be ordered separately. (C.P. CLARE HGS5054 Mercury-wetted Contact Relay or equivalent).
- d. For parts ordering information see Teletype Parts Bulletin 1184B and attached Figure 1.

2. INSTALLATION (on Model 32/33 Call Control Units)

- a. Remove all shipping materials and screws before connecting the AC power and signal loop.
- b. Check all nylon terminal blocks to make certain that they are properly and completely inserted.

NOTES

Refer to wiring diagrams 5923WD and 5924WD (to be found with each polar adapter) for wiring information.

Input power to the unit must be 117 volts AC  $\pm$  10% at 60 cps. only.

CAUTION NOTE

All units must be suitably grounded to earth. The third wire in the power cord is for this purpose.

- c. The card holder for the 181604 Assembly may have to be changed. A new Holder

(181678) is supplied with each Adapter and should be installed before the actual installation of the Adapter, if it is required.

d. The cable to the Dial and Pushbutton assemblies must be dressed close to the 181601 or 181602 NL Circuit Card.

e. The terminals on the buzzer should be bent, so that they do not protrude behind the dial.

f. The back of the Adapter is designed to be mounted under the two screws at the top of and holding together the rear connector assembly. The front of the Adapter is supported by a drive pin and a screw, both fitting into holes of the Dial and Pushbutton Bracket.

g. The front of the Adapter shall be lowered to near the 181601 or 181602 NL Circuit Card and moved forward under the Dial and Pushbutton Bracket. The rear supports may then be positioned under the two screws on the top of the rear connector assembly. The Adapter may then be slid back until the front support holes line up. A single Screw (181241), supplied with the Adapter, may then be used to fasten the front in place.

h. The three plugs inserted into the 181601 or 181602 Assembly should be inserted into the appropriate jacks on the Adapter. The cable containing these plugs may have to be pulled slightly to allow the plugs to reach the Adapter.

i. The three plugs hanging from the Adapter should be inserted into the proper jacks on the 181601 or 181602 NL Circuit Card.

### 3. ADJUSTMENTS AND LUBRICATION

a. The 182087 Polar Adapter has no adjustments or lubrication procedure.

b. Should a 182087 Polar Adapter be faulty in operation, it should be replaced.

### NOTES

The polar adapter is shipped arranged for full polar operation from distant battery. Straps on Terminals one (1) through nineteen (19) on the 181607 Circuit Board provide for other arrangements and must be properly made if a different method of operation is desired.

When the 182087 Polar Adapter is installed on Model 32/33 Call Control Units, the following fuse changes are necessary in the 182073 Remote Control Unit: For the 181681 Motor the 2.0 ampere fuses must be replaced with 2.5 ampere fuses; and for the 181870 Motor the 3.0 ampere fuses must be replaced with 3.2 ampere fuses.

\*

\*

\*

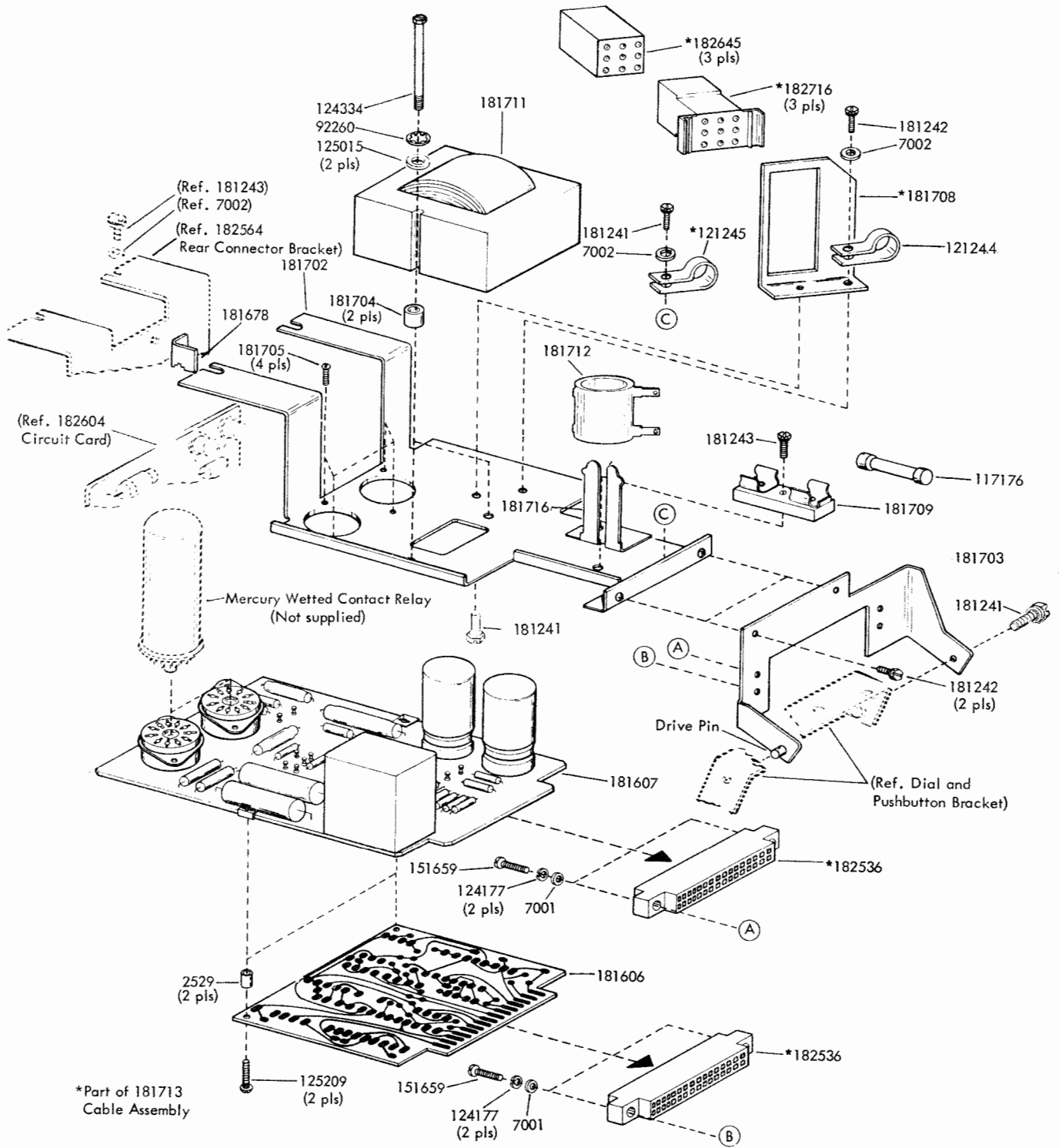


FIGURE 1.