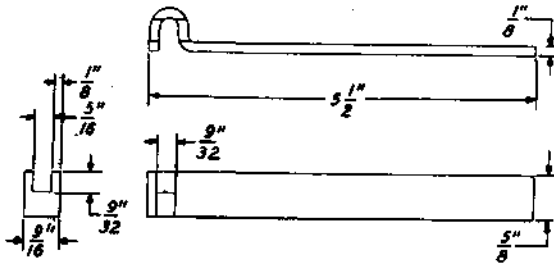


**CODED TOOLS**  
**329 TO 340**  
**DESCRIPTION**

TOOL, 329

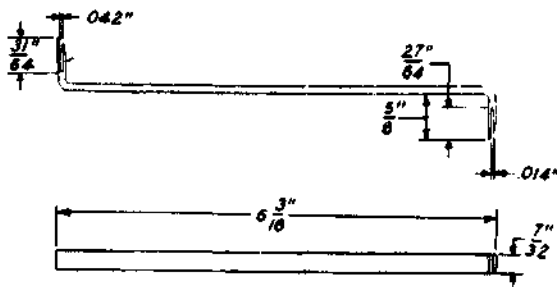


Guide holder.

For use in adjusting l-type guides.

TOOL, 330 Manufacture Discontinued.  
Replaced by the 330B tool.

TOOL, 330B

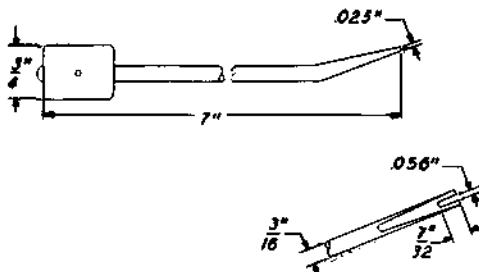


Adjuster

Replaces the 330 tool.

For use on panel line finder, trunk finder  
and call distributing "B" link elevator  
apparatus.

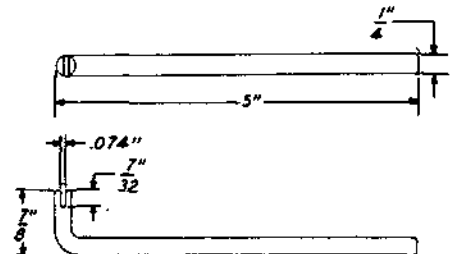
TOOL, 331



Spring adjuster.

For use on panel elevator apparatus.

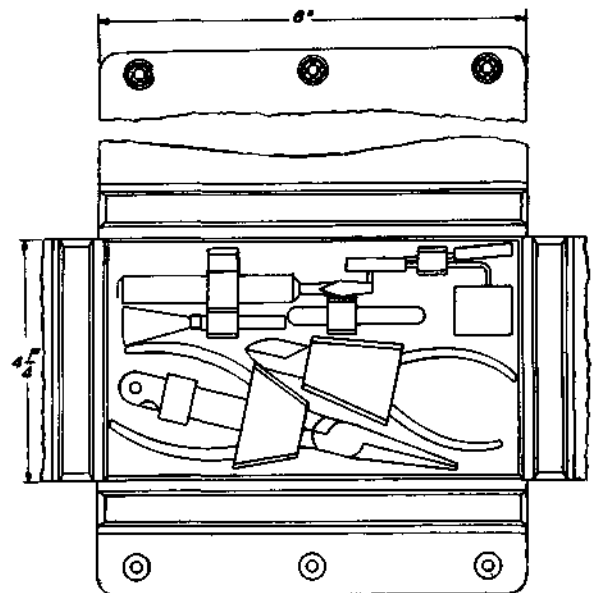
TOOL, 332



Adjuster

For use on 204-type selectors and 25 point  
rotary switches.

→ TOOL, 333



Tool Kit. A leather case containing tools  
and gauges.

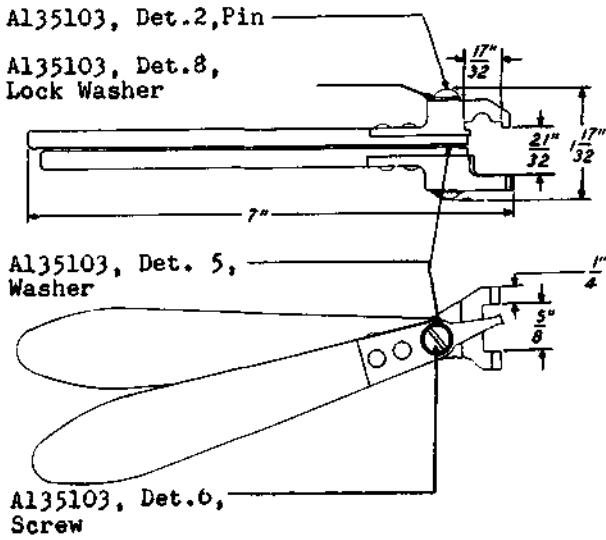
The items included are as follows:

- 1 - 1A Burnisher
- 2 - 340 Tools
- 1 - P-220366 Dental Mirror
- 1 - Screwdriver for 333 Tool
- 1 - Square Camel Hair Brush for 333 Tool
- 1 - 5" Diagonal Pliers
- 1 - 6-1/2" P-long Nose Pliers
- 1 - Limit Gauge, KS-2855
- 1 - P-205658 Case

For general use in telegraph offices.

→ TOOL, 334 Manufacture Discontinued.

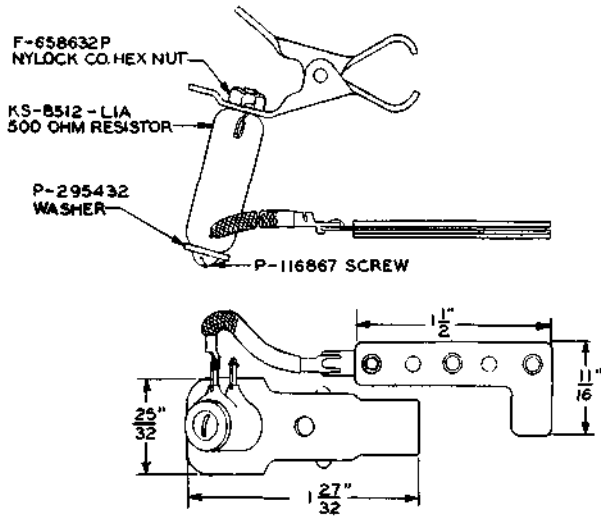
TOOL, 335



Front stop lug adjuster.

For use on 4-, 5-, 6- and 7-type clutches.

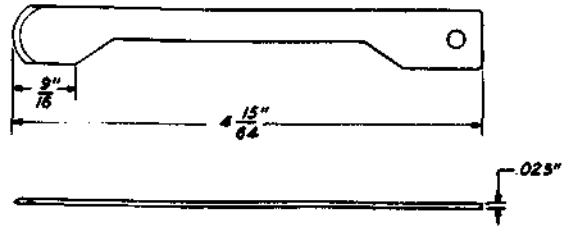
TOOL, 337



500 ohm grounding fixture.

For use in placing a 500-ohm-to-ground connection on the ring spring of panel-type line finder multiple brushes when making service observing tests.

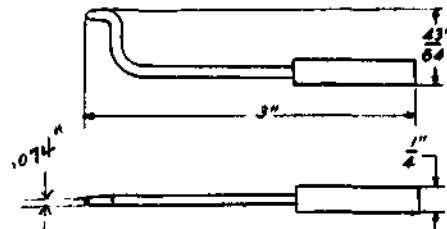
TOOL, 338



Spring Insulator

For use on plunger-type primary and secondary line and out trunk switches.

TOOL, 340



Adjusting key

Replaces the 212 tool.

For use on polarized and 267-type relays.