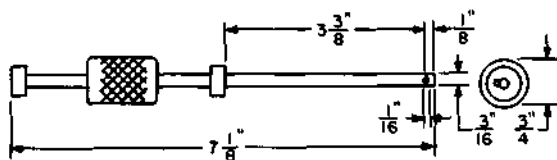


**CODED TOOLS**

**354 THROUGH 368**

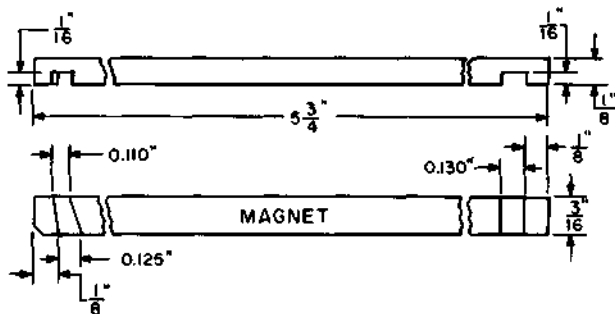
**DESCRIPTION**

**354**



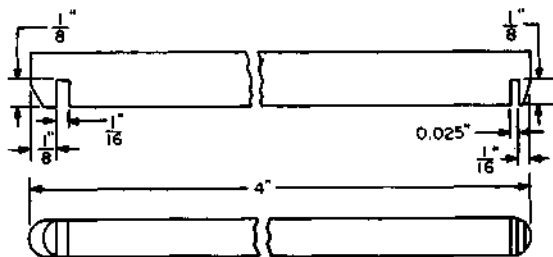
Cam-locating tool. For use on 155A- and 157-type interrupters and A- and B-type sequence switches.

**355**



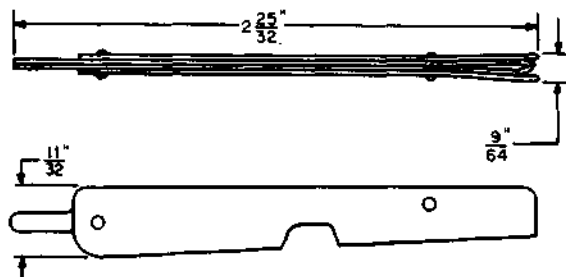
Adjuster. For use on E1- and E2-type keys.

**356**



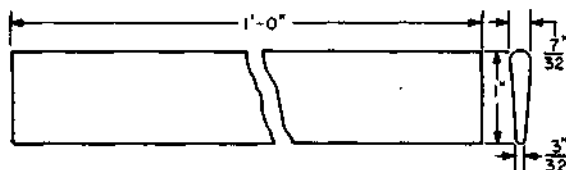
Adjuster. For use on E1- and E2-type keys.

**357**



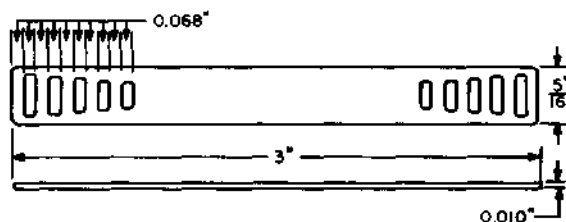
Spring contact clip and insulator. Replaces the 250 tool. For use on A- and B-type sequence switches and panel elevator apparatus.

**358**



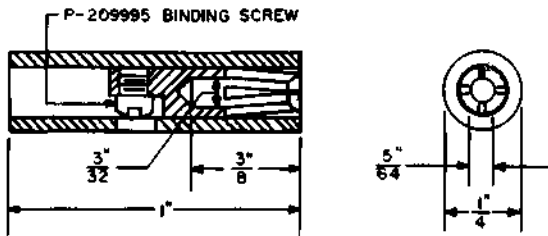
Cleaning tool. For use on friction roll and gear reduction drives and vertical drive shafts.

**359**



Magnet core and armature cleaning tool. Replaces the 307 tool. For use on 200-, 204-, and 206-type selectors, 2-type buzzers, and 25 point rotary switches.

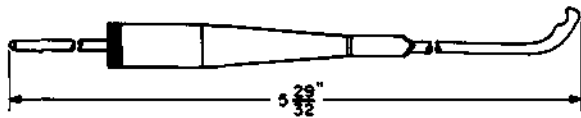
360A  
360B  
360C



360A tool — socket-type cord tip, red.  
360B tool — socket-type cord tip, black.  
360C tool — socket-type cord tip, white.

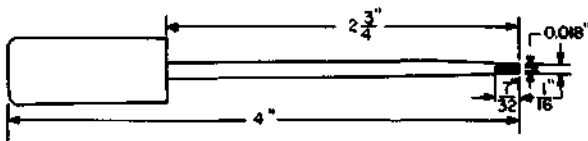
For use for test purposes in connection with 357, 361B, 364, 365, 419A, 547A, 548A, and other tools provided with pin terminals.

361B



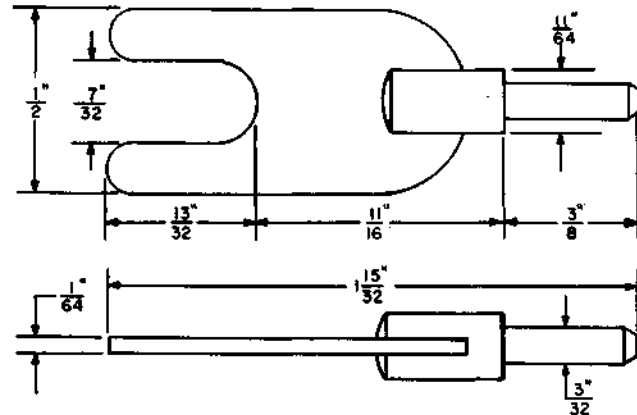
Relay winding connector. Replaces the 361 tool.  
For use in conjunction with a 360-type tool for test purposes on E, R, and similar-type relays.

363



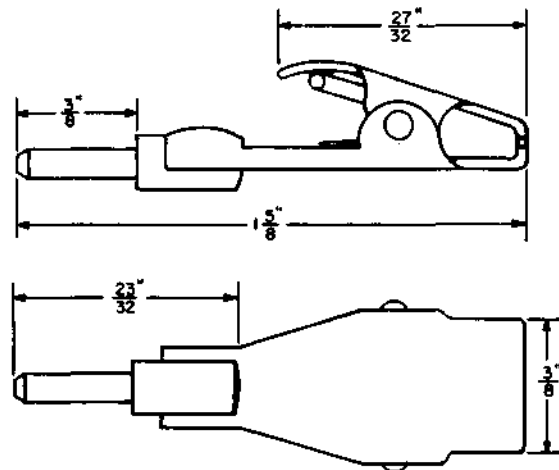
Spring adjuster. Replaces the 302 tool. For general use.

364



Spade terminal. For use in conjunction with a 360-type tool for general test purposes.

365



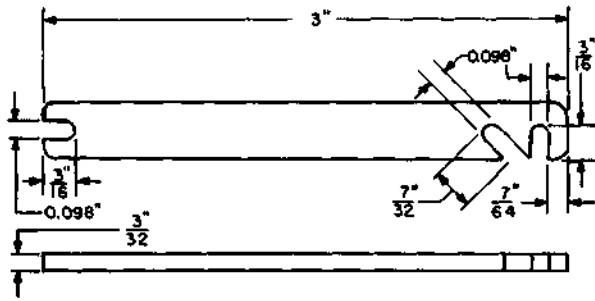
Connecting clip. For use in conjunction with a 360-type tool for general test purposes.

→366←

MFR DISC

Replaced by the 276 tool.

368



3/32-inch open-end offset wrench. For use on  
51-type dial testers.