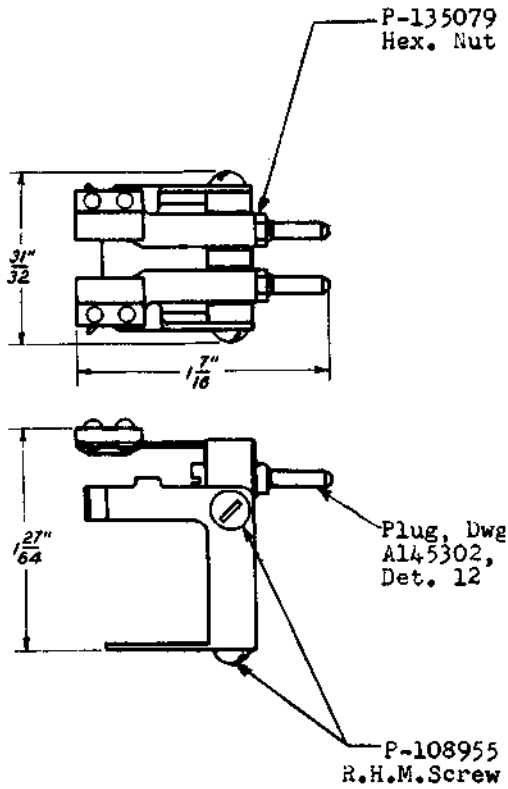


CODED TOOLS
NO. 387A TO 395A
DESCRIPTION

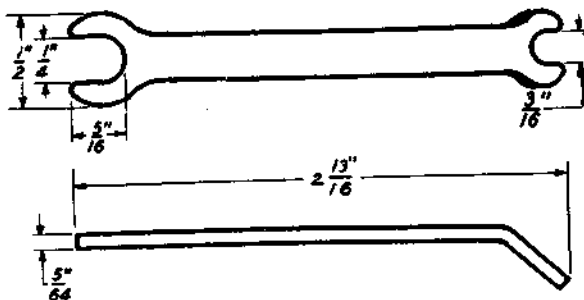
TOOL, 387A



Inter-contact connector.

For use on 111-type relays.

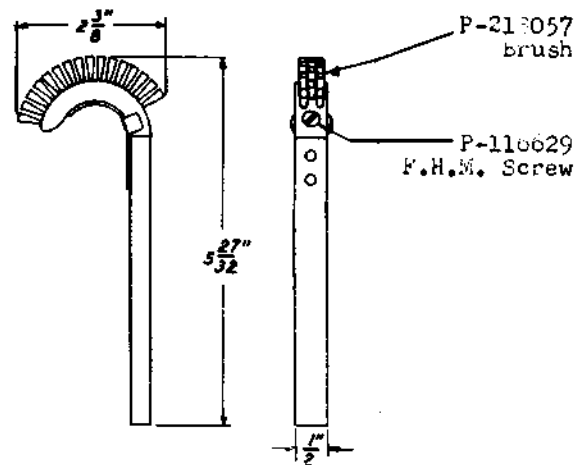
TOOL, 388A



3/16" and 1/4" Hex. open double-end offset wrench.

For general use.

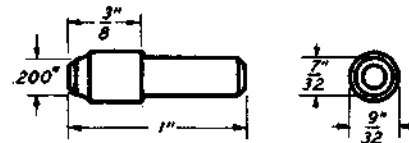
TOOL, 389A



brush.

For use on 197- and 198-type switches.

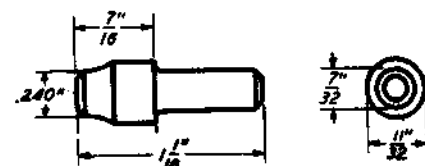
TOOL, 390A



Hardwood pin.

For use in conjunction with portable motor equipment for base metal contact maintenance in cleaning flared portion of 92- and 292-type jack sleeves.

TOOL, 390B

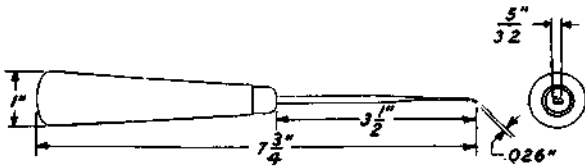


Hardwood pin.

For use in conjunction with the portable motor equipment for base metal contact maintenance in cleaning flared portion of 49-type jack sleeves.

SECTION 074-115-101

TOOL, 391A	Manufacture Discontinued.
→ TOOL, 392A	Manufacture Discontinued.
TOOL, 393A	Manufacture Discontinued.
TOOL, 394A	

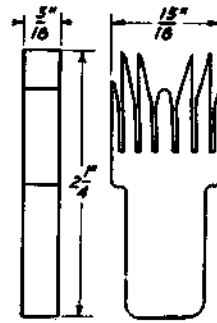


Contact burnisher.

Replaces the No. 86 tool.

For use on 141- and similar-type jacks.

→ TOOL, 395A



Feeder brush spacer

For use on power driven rotary selectors and 200-, 200-, 209-, and 211-type selectors having six bank feeder brushes excepting those having balanced type brushes. This tool may be modified for use on selectors having two or four bank feeder brushes as covered in Section 026-706-801 and on A.E.Co. 25-point rotary switches having one, two, or four bank feeder brushes as covered in Section 026-760-801.