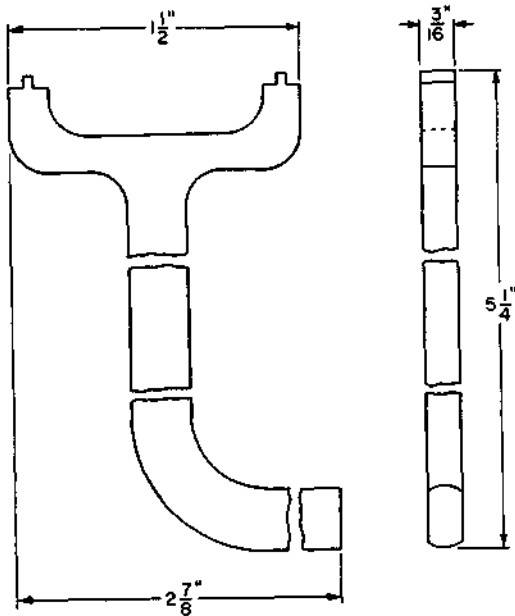


CODED TOOLS
683A TO 699A
DESCRIPTION

→ TOOL, 683A Manufacture discontinued
 Replaced by the 683B tool.

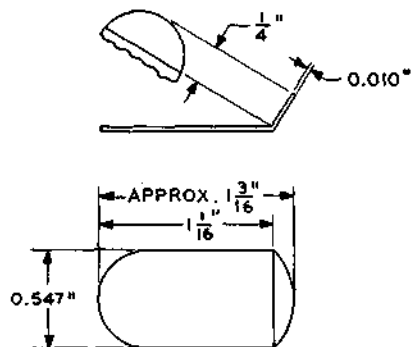
→ TOOL, 683B



Tube shield wrench.

For use in tightening and loosening 1-1/4" and 1-1/2" diameter heat conducting electron tube shields in L3 carrier and in video transmission equipment.

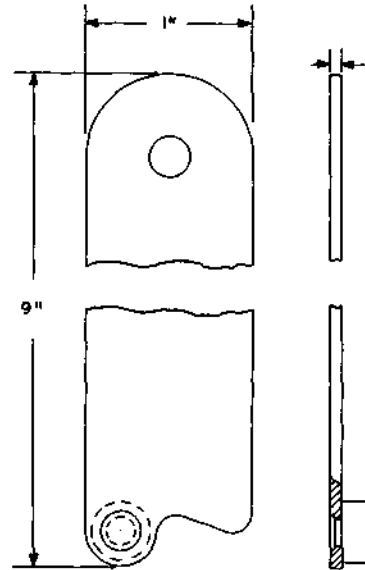
TOOL, 684A



insulator

For insulating movable contact springs on AK-type relays.

TOOL, 685A

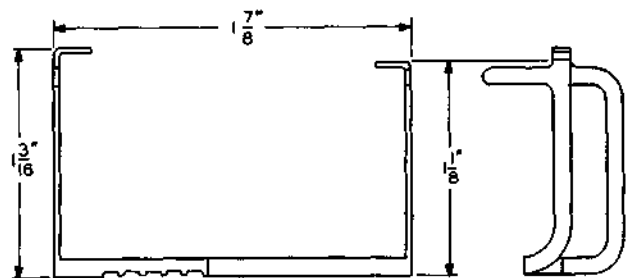


Repeater extractor

For use in removing 143A2 regenerative repeaters from their mountings.

TOOL, 685B
Replaced by the 725A tool.

TOOL, 688A

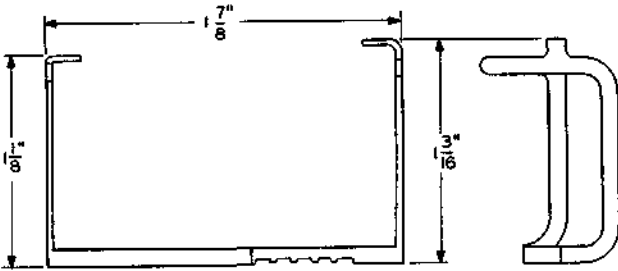


Spring holder.

For holding the movable make contact springs when replacing cards or stationary contacts on the upper half of AK-type relays.

SECTION 074-142-101

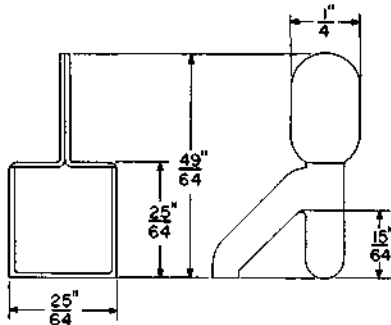
TOOL, 688B



Spring holder

For holding the movable make contact springs when replacing cards or stationary contacts on the lower half of AK-type relays.

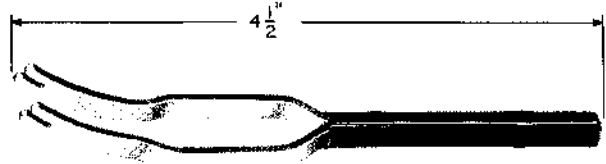
TOOL, 689A



Spring holder

For use in holding the left row of movable contact springs when replacing stationary contacts of 286-, 287-, and 288-type relays.

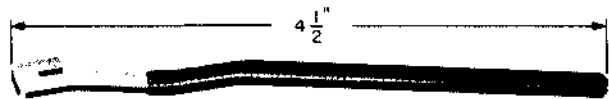
TOOL, 698A



Multiple strip holder

For use in supporting the front multiple contact strip on vertical units of the 324-, 325-, and 328-type crossbar switch.

TOOL, 699A



Card support tab adjuster

For use in adjusting the card support tab on vertical units of the 324-, 325-, and 328-type crossbar switch.