

TOOLS

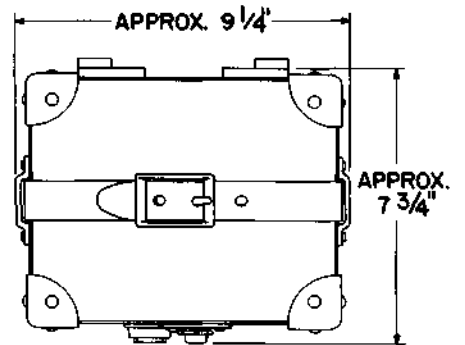
CASES, CARRYING II - DESCRIPTION

1. GENERAL

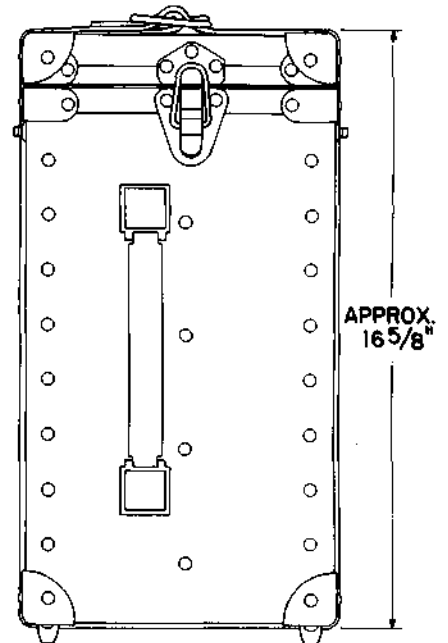
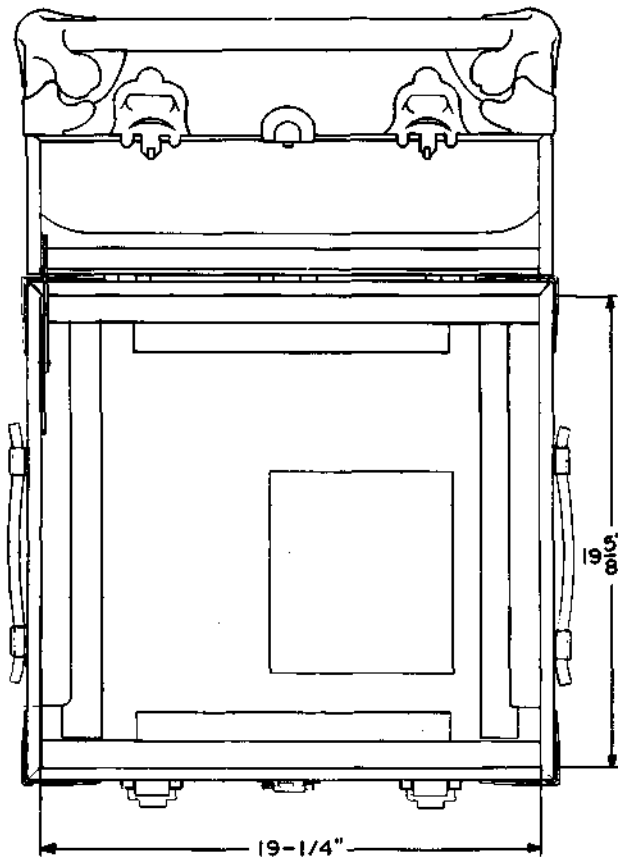
- 1.01 This section covers noncoded Bell System carrying cases.
- 1.02 When this section is reissued, the reason for reissue will be listed in this paragraph.
- 1.03 The information contained in this section supersedes the corresponding information in Sections 074-560-101, 074-560-102, and 074-570-101.
- 1.04 See tool index for other Carrying Case practices.

Consists of a wooden frame covered with black vulcanized fibre. The key for the lock on the cover unlocks all KS-14253 cases. For transporting an AMA KS-13835 reader between a central office and a maintenance center.

KS-14763



KS-14253



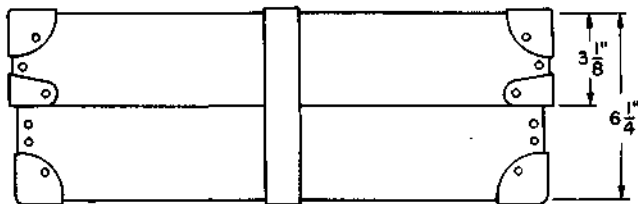
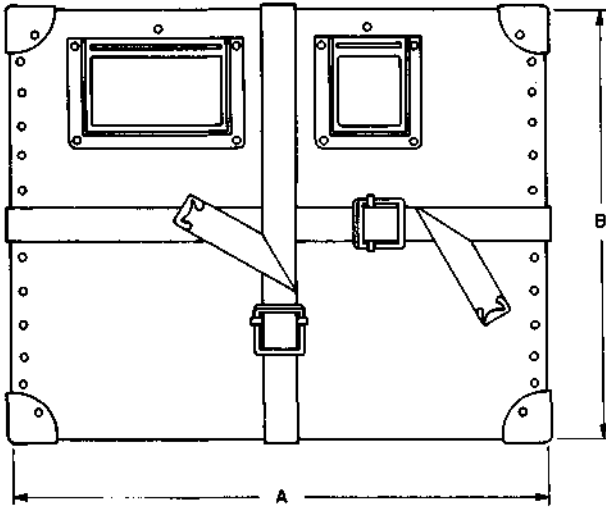
NOTICE

Not for use or disclosure outside the
Bell System except under written agreement

KS-14763 (CONT)

Consists of a vulcanized fibre covered wooden case having a carrying handle and a removable cover. A KS-16157 L1 strap is provided. The carrying case is part of the 1004B tool kit and is used for housing the tools of that kit.

KS-15542 L1 & L2

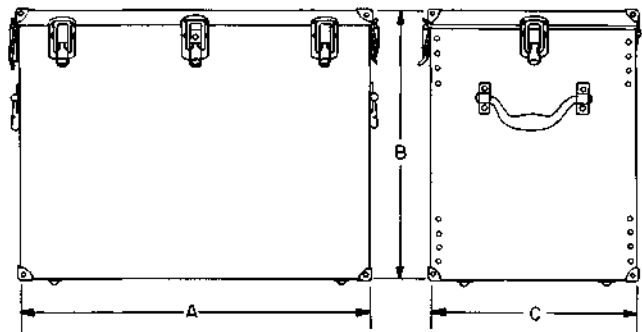


Mailing cases.

CASE	DIMENSIONS (INCHES)	
	A	B
KS-15542 L1	16-1/4	13
KS-15542 L2	24	16-1/4

For use in transporting automatic message accounting tape from central office to accounting center.

KS-16811 L1 & L2

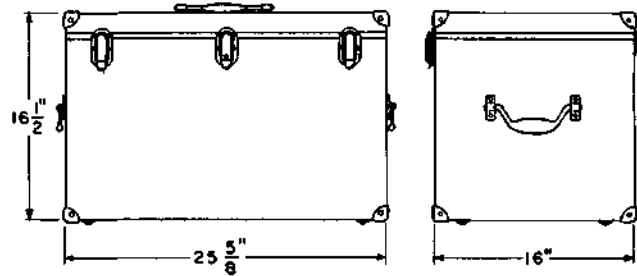


CASE	DIMENSIONS (INCHES)		
	A	B	C
KS-16811 L1	30-3/16	23	22-1/4
KS-16811 L2	24-1/4	18-1/4	14-1/4

KS-16811 L1 is for use as a transporting container for the KS-14776 camera.

KS-16811 L2 is for use as a transporting container for the associated cords used with portable traffic usage recorder equipment.

KS-16929 L1

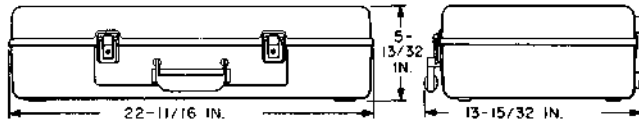


Consists of a black fibre case provided with a hinged cover and handles. The interior is equipped with a tool mounting board and a removable partitioned tray. For use in housing contact cleaning tools for panel systems.

KS-16979 L4

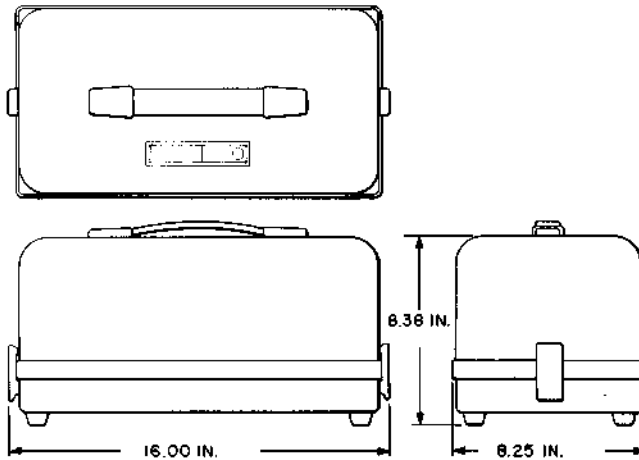
MFR DISC

KS-19707 L1



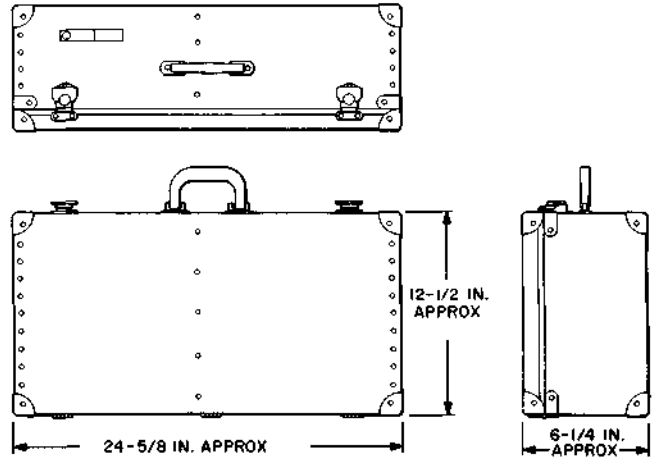
A luggage-type case consisting of a thermoformed outer shell and a thermoformed inner liner to position the units. The shell and liner are of ABS plastic. For use in carrying and protecting two plug-in N2 carrier repeaters.

KS-20403 L1



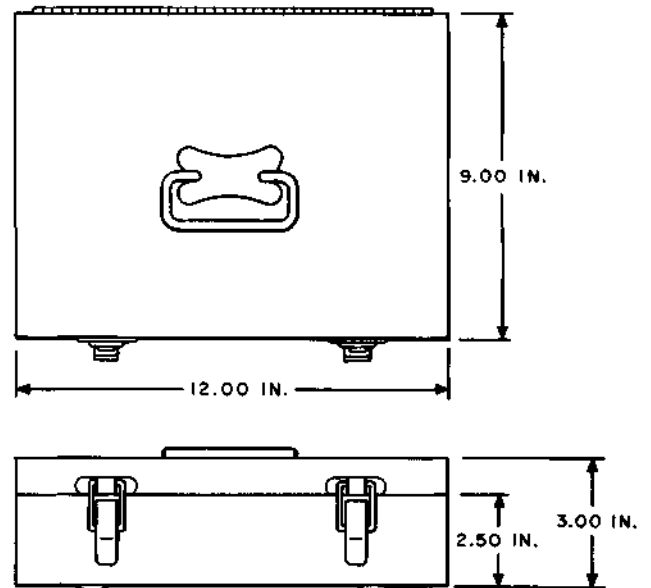
Consists of a molded-plastic base arranged for mounting a data set and associated equipment and a cover equipped with a handle. The base and cover are equipped with latches for assembly. For use in housing and transporting a portable data set J3B005D of which the carrying case is a component part.

KS-20404 L1



A fabricated gray polyethylene container similar in construction to a small trunk having a hinged cover and equipped with a handle. Arranged to transport cords of various types used with the portable scanner and encoder unit and transmitting data set unit of the Traffic Measurement System No. 1A.

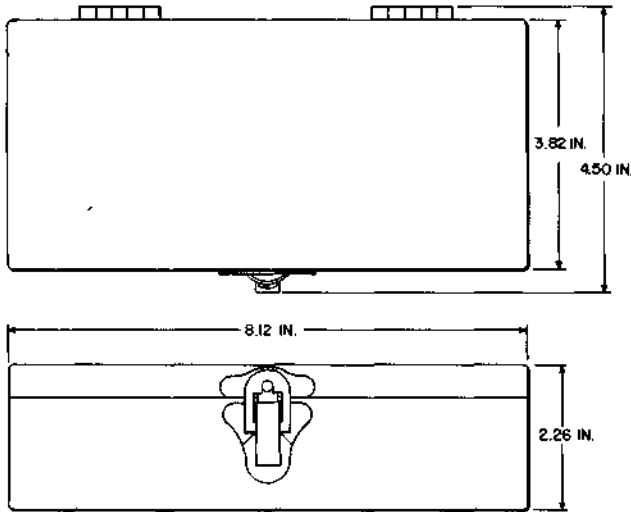
KS-20499 L1



KS-20499 L1 (CONT)

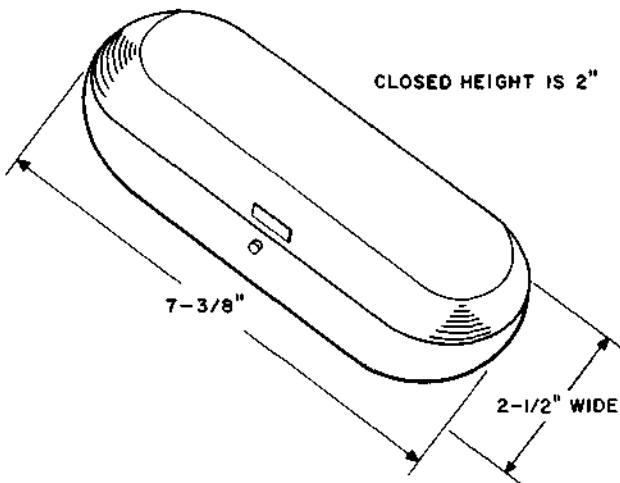
A rectangular-shaped, metal container equipped with a hinged cover, two latches, and a handle. For use as a container for the 1017A tool kit.

KS-20557 L1



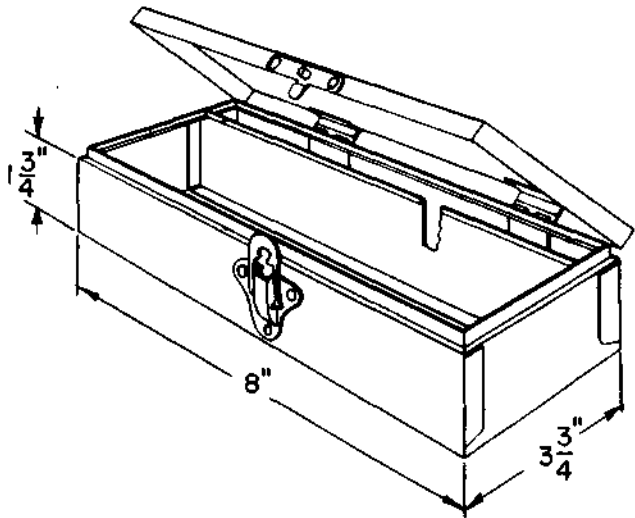
A rectangular-shaped metal container equipped with a hinged cover and latch. This case is part of the KS-20558 L1 tool kit. See Section 074-232-112.

CASE, GOGGLE, L



A hinged aluminum case for carrying either chippers or cover-all goggles. (Specification AT-6736)

R-2513



A metal case finished in olive green enamel. For housing and carrying tools and gauges for adjusting apparatus in the Crossbar System.