

TOOLS

CUTTERS - DESCRIPTION

1. GENERAL

1.01 This section covers coded and noncoded Bell System cutter tools.

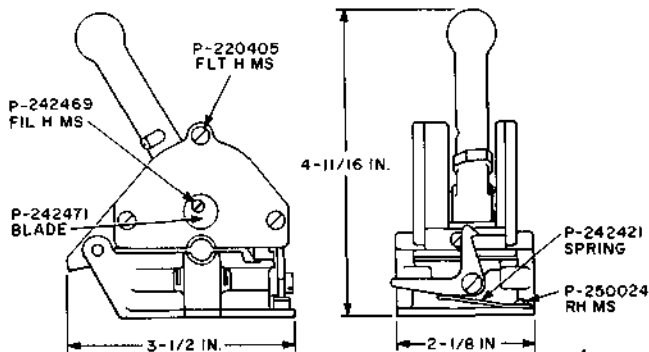
1.02 When this section is reissued, the reason for reissue will be listed in this paragraph.

1.03 The information contained in this section supersedes the corresponding information in Sections 074-108-101, 074-132-101, and 074-595-101.

312 CORD CUTTER

MFR DISC

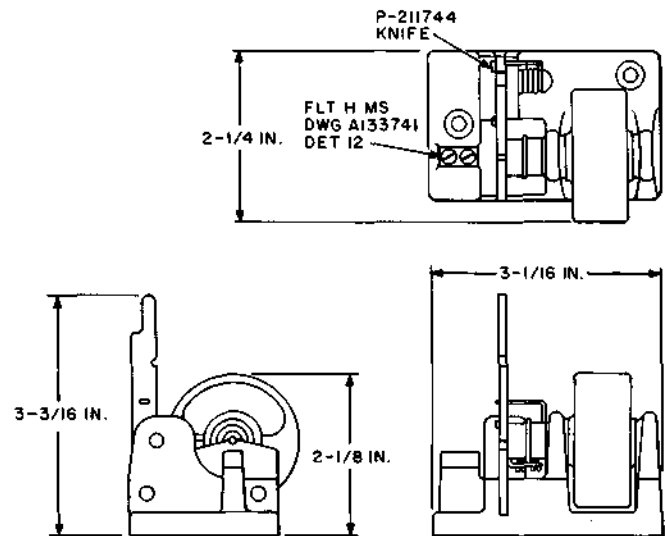
312B



Cord cutter. The base is provided with screw holes for attaching to the KS-5263 cord repair table. For use in repairing switchboard cords by the solderless cord-tip method.

313

A&M ONLY

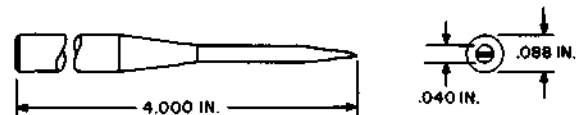


Conductor braid cutter. For use in repairing switchboard cords by the punched-hole method. The information covered herein replaces the part of Section 074-000-006, Issue 1, applying to this tool.

590A OIL CLOSURE CUTTER

MFR DISC

CUTTER, TAB, KS-21030 L1

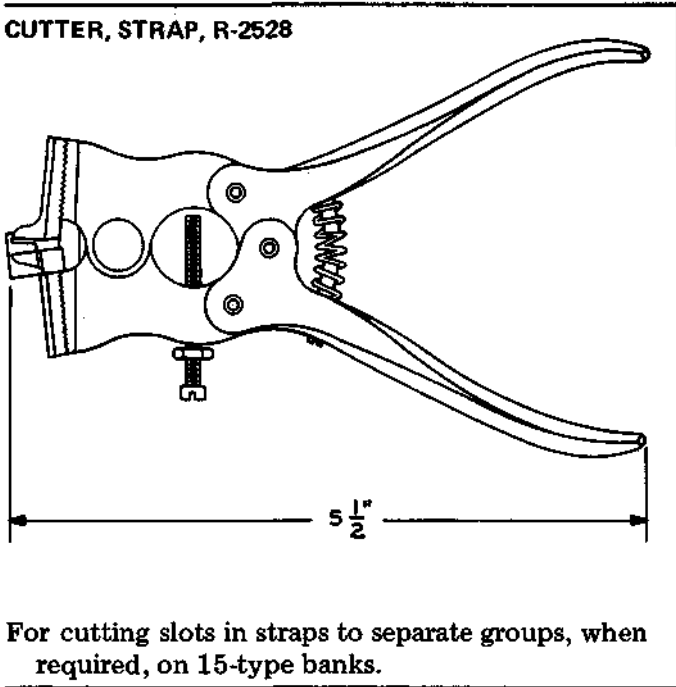


Used to remove the hairpin select wire tab prior to select wire replacement within vertical units of a small crossbar switch.

NOTICE

Not for use or disclosure outside the Bell System except under written agreement

**CUTTER, STRAP, R-2528**



For cutting slots in straps to separate groups, when required, on 15-type banks.