

TOOLS

HOLDERS I - DESCRIPTION

1. GENERAL

1.01 This section covers coded Bell System holder tools.

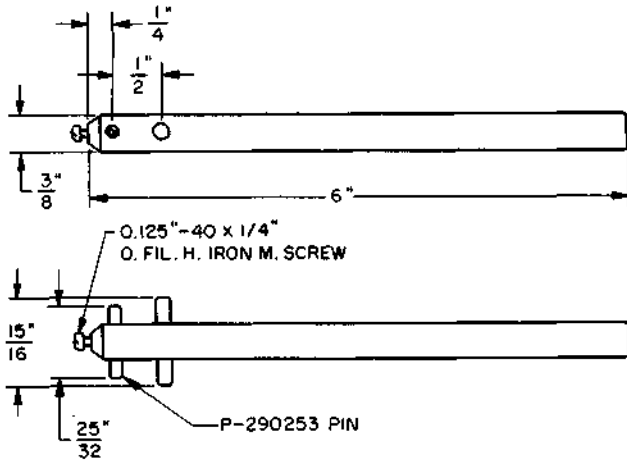
1.02 When this section is reissued, the reason for reissue will be listed in this paragraph.

1.03 The information contained in this section supersedes the corresponding information in Sections 074-103-101, 074-106-101, 074-110-101, 074-114-101, 074-118-101, 074-121-101, 074-126-101, 074-128-101, 074-132-101, 074-134-101, and 074-135-101.

1.04 See tool index for another Holder practice.

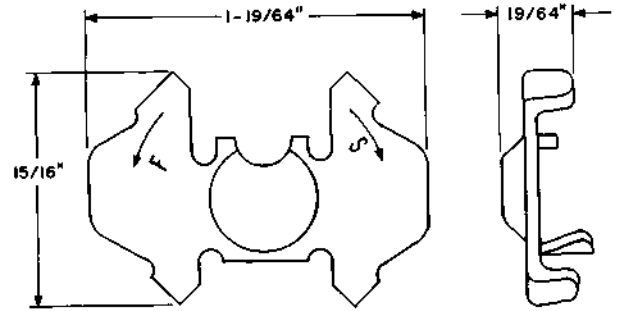
1.05 For tools with similar functions, see Insulators, Section 074-226-122; Lifter, Spring, Section 074-235-115; Separators, Section 074-256-128; Spacers, Section 074-257-107; and Spreaders, Section 074-257-114.

203



Index wheel holder. For use on A- and B-type sequence switches and 155A and 157-type interrupters.

260

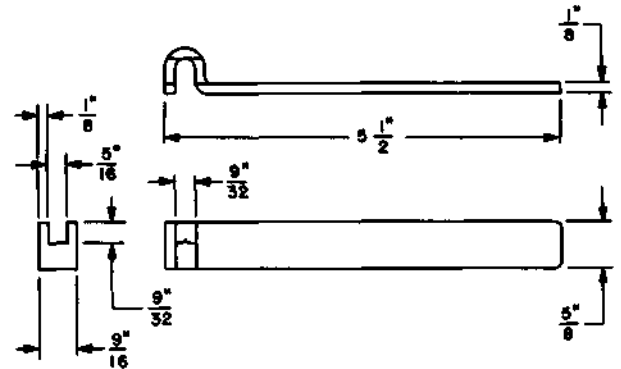


Dial governor holder. For use in holding rotating parts of 2-, 4-, and 5-type dial governors stationary when adjusting them for speed.

265C

See Contact Burnisher Holder, Section 074-217-110.

329



Guide holder. For use in adjusting 1-type guides.

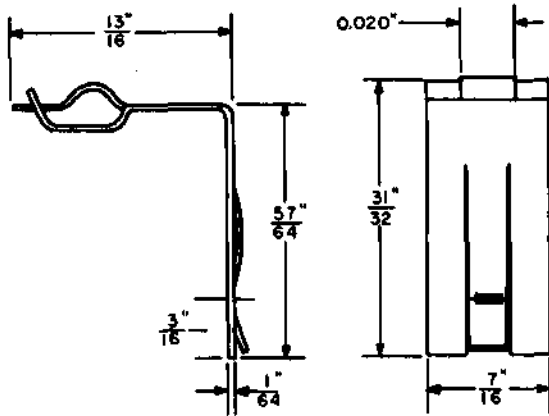
373D

See Contact Burnisher Holder, Section 074-217-110.

NOTICE

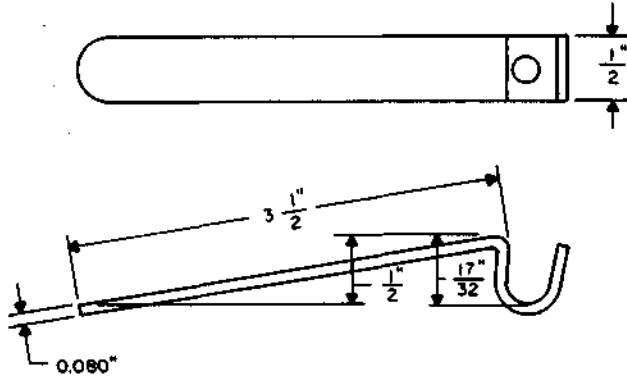
Not for use or disclosure outside the Bell System except under written agreement

375A



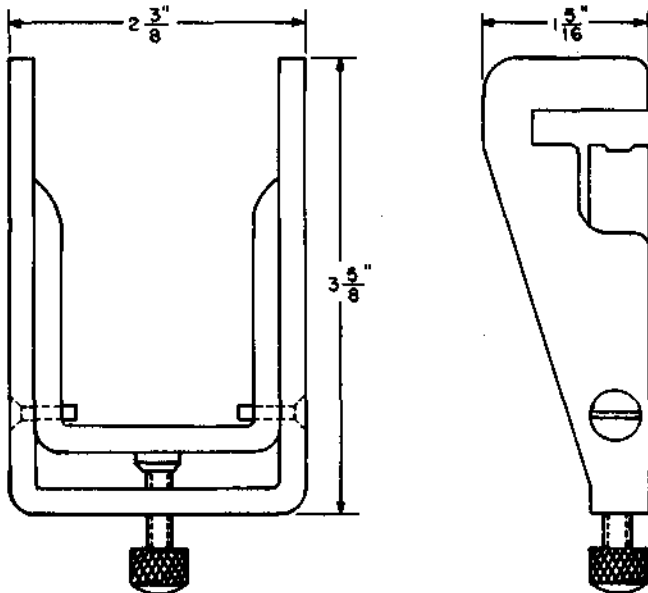
Make-busy plug and trouble ticket holder. For use on 197- and 198-type switches.

382A



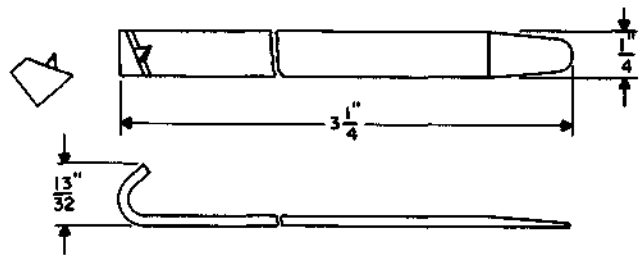
Trip rod holder. For use on 4- and 14-type trip rods.

425A



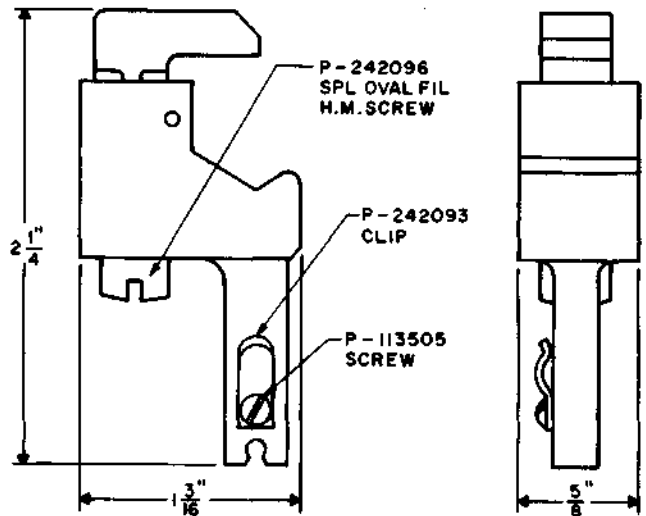
Selector holder. For use on 200- and 206-type selectors which are nonrigidly mounted.

445A



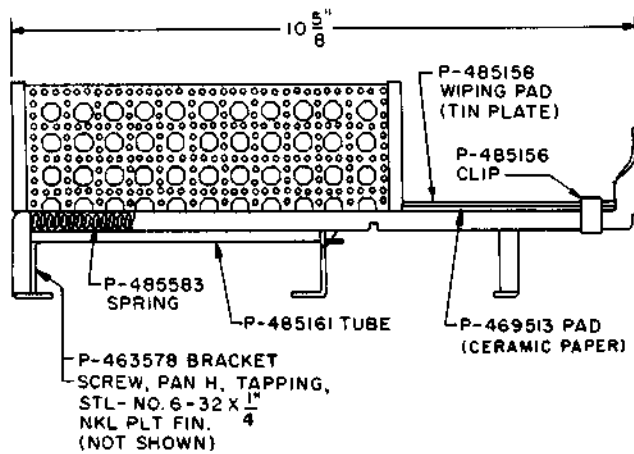
Dial card holder tool. For use on 2-, 4- and 5-type dials.

449A



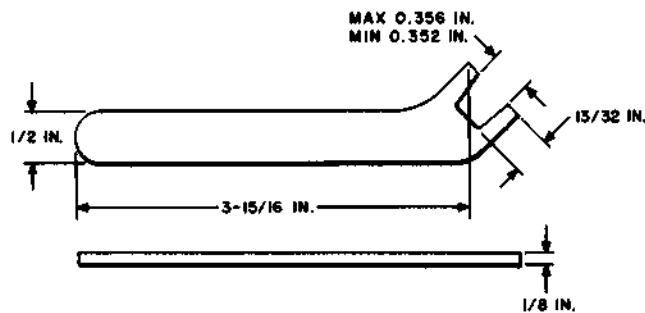
Cord holding detail. Replaces cord holding detail R-1648, detail 2. For use on vertical drive shafts.

504A



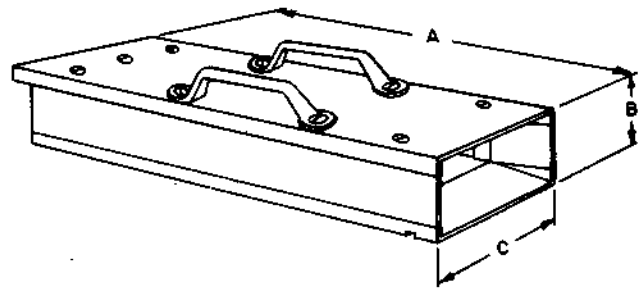
Soldering copper holder. Designed to clamp on rolling ladder steps. May also be used with ED-92008-01 mounting bracket or on a flat surface. See the 721A tool for adapter which may be added to this tool for holding KS-14440 and KS-16346 soldering coppers. This adapter cannot be used with KS-8740 soldering copper. Also see Rest, Copper, Soldering, Section 074-253-130. For general use.

536B



Selecting bar holder. Replaces the 536A tool. For use on 300-, 304-, 314-, 324-, and similar-type switches.

586A
586B

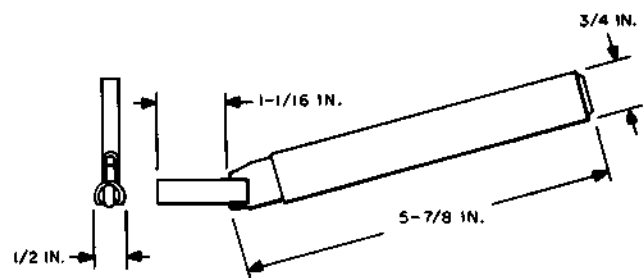


Guard and holder.

HOLDER	DIMENSIONS (INCHES)		
	A	B	C
586A	6-7/8	1-5/16	2-1/2
586B	6-7/8	2-1/8	2-7/8

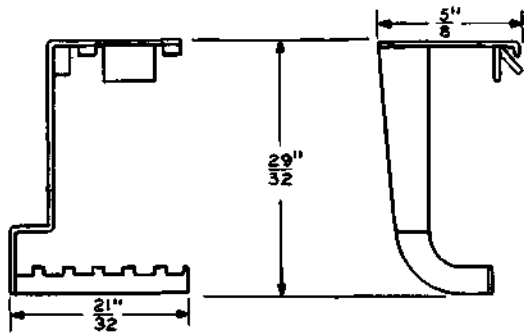
The 586A tool forms a part of the 1004B tool kit and is the guard and holder for the 577A tool. The 586B tool forms a part of the 1013A tool kit and is the guard and holder for the 577C and 577D tools of the 636A tool. With the exception of a center partition, this tool is similar to the 586A tool.

612A



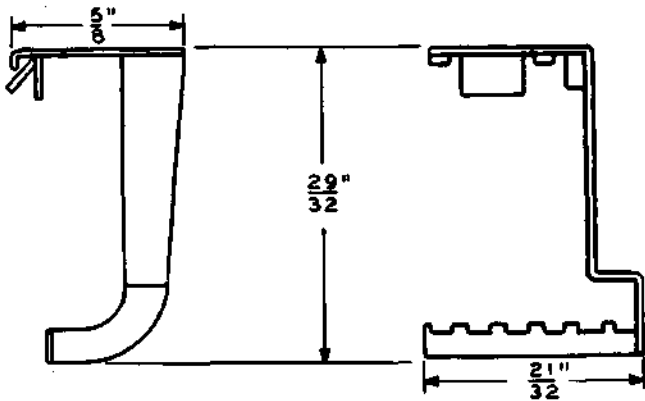
Relay core holder. For use on U-, UA-, and Y-type relays having hinge pin-type armature suspension.

629A



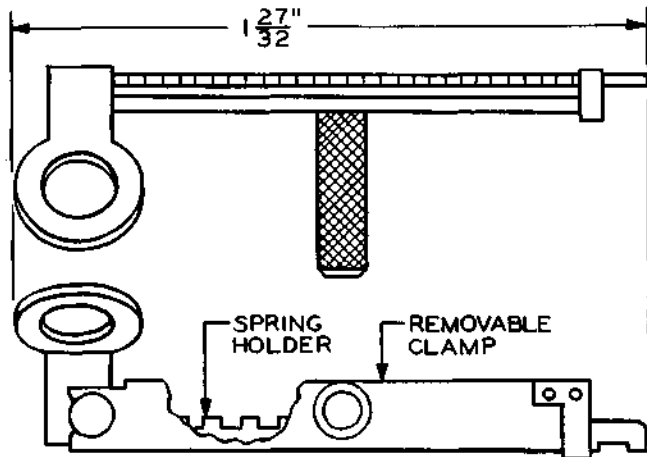
Spring holder. For use in holding the upper group of movable break contact springs on AF-, AG- and AJ-type relays during removal of the card from the relay.

629B



Spring holder. For use in holding the lower group of movable break contact springs on AF-, AG- and AJ-type relays during removal of the card from the relay.

630A



Spring holder and removable clamp. For use in holding movable make contact springs in positions 1 through 12 on AF-, AG-, and AJ-type relays during removal of the card from the relay.