

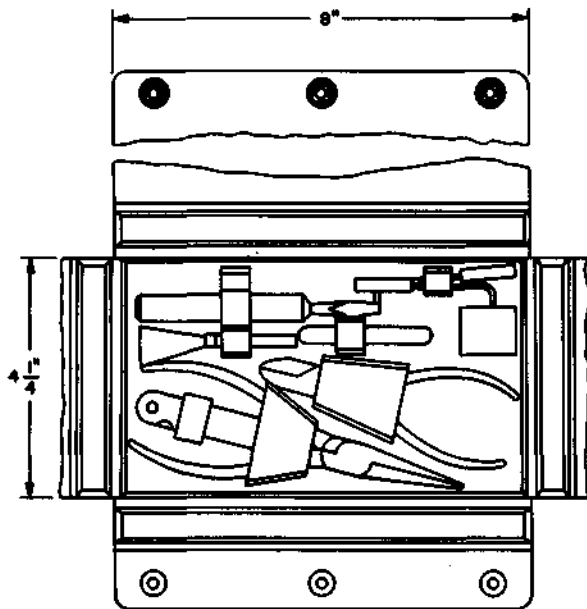
TOOLS

KITS I - DESCRIPTION

1. GENERAL

- 1.01 This section covers coded Bell System tool kits.
- 1.02 When this section is reissued, the reason for reissue will be listed in this paragraph.
- 1.03 The information contained in this section supersedes the corresponding information in Sections 074-110-101 and 074-670-101.
- 1.04 See tool index for other Kit practices.

333



Tool kit. A leather case containing tools and gauges. This tool kit includes the following items:

QTY	DESCRIPTION
1	1A Burnisher
2	340 Tools
1	P-220366 Dental Mirror
1	Screwdriver for 333 Tool
1	Square Camel Hair Brush for 333 Tool
1	5-inch Diagonal Pliers
1	6-1/2 inch P-long Nose Pliers
1	KS-2855 Limit Gauge
1	P-205658 Case

For general use.

166

This tool kit includes one R-2032 shipping containing:

QTY	DESCRIPTION
2	RM-657709 Rubber Aprons
1	R-1453 1/4-inch Wood Chisel
1	R-1454 1-1/4 inch Wood Chisel
1	R-1459 Lug Cutter
1	R-1309 Vixen 12-inch File (Include file handle)
1	R-2681 Safety Goggles with case (Or stick of Compound RM-641461 each case)
1	R-1048 Hydrometer (A syringe-type hydrometer for testing specific gravity of electrolyte in storage batteries)
1	R-2558 Padlock
2	R-1417 Lead Scrapers
12	R-1528 Battery Burning Tongs
2	R-2151 Battery Plate Tool Spacings
1	R-81384 Lead Burning Outfit

Remove hose connections of torch and assembly only when defective. Show connections when replacing, observing left thread on hydrogen hose connector. For use burning in storage battery plates.

268

This tool kit includes one R-1883 shipping containing:

QTY	DESCRIPTION
1	R-6180 0.189-inch Offset Slot Bender
1	R-5490 0.198-inch Slot Bender
1	R-5950 0.167-inch Slot Bender
1	R-5960 0.104-inch Slot Bender
1	R-5510 1-inch by 1-inch by 8-inch Fiber Block
1	R-5550 Clamp
1	R-1482 8-inch Smooth Flat File
1	R-9430 1-pound Claw Hammer
1	R-8370 2-foot Carpenters Wood Lev
1	R-2558 Padlock

268 (Cont)

QTY	DESCRIPTION
1	R-5920 5/16-inch by 15-inch Rod
1	R-5500 3/8-inch by 5-inch Rod
11	R-5940 1/8-inch by 5-inch Rods
1	R-5930 1/4-inch by 5-inch Rod

For use in realigning and readjusting knife switches.

1000A

This tool kit includes one 15A carrying case containing:

QTY	DESCRIPTION
1	491A Tool
1	492A Tool
1	493A Tool

For use in replacing bearings on reciprocating bar-type interrupters.

1001A

This tool kit includes one 16A carrying case containing:

QTY	DESCRIPTION
1	494B Tool
1	495A Tool
1	496A Tool
1	130A Gauge

For use in replacing pawl pins on 197- and 198-type switches.

1002A MFR DISC

1003A

This tool kit includes one 18A carrying case containing:

QTY	DESCRIPTION
1	353C Tool
1	570A Tool
1	571A Tool

Replaces the 353B grease gun. For general use.

1004A MFR DISC

Replaced by the 1004B tool kit.

1004B

This tool kit includes one KS-14763 carrying case (including a KS-16157 L1 carrying strap) containing:

QTY	DESCRIPTION
1	1011B Tool Kit
1	586A Tool (holder for 577B tool)
1	R-1138 Adapter
4	P-125209 R.H.M. Screws
4	P-283106 Washers
1	102B Current Supply Set
1	577B Tool including one each: P-479940 No. 11 Electrode P-480215 No. 20 Electrode

No parts of the 102B current supply set except the fuse shall be replaced in the field. When repairs are necessary, return the set to the Western Electric Company. Replaces the 1004A tool kit. For use in replacing precious metal contacts on relays and switches in central offices.

1011A MFR DISC

Replaced by the 1011B tool kit.

1011B

This tool kit includes one KS-16118 carrying case containing:

QTY	DESCRIPTION
1	245 Tool
1	578B Tool (contact stripping pliers)
1	578C Tool (contact cutting pliers)
4	KS-6320 Orange Sticks
1	KS-8511 Tweezers
1	P-479941 No. 10 Electrode
1	P-463553 No. 12 Electrode
1	P-485151 No. 21 Electrode
2	P-15A999 Kits each consisting of one P-15A998 Container containing one each: P-479918 "A" Guide P-479919 "B" Guide P-479920 "C" Guide P-479921 "D" Guide P-479922 "E" Guide P-479923 "F" Guide P-480371 "H" Guide P-480372 "J" Guide P-480374 "L" Guide P-482265 "M" Guide P-485148 "N" Guide P-485149 "P" Guide

1011B (Cont)

Replaces the 1011A tool kit. Component of the 1004B tool kit. Contacts are not furnished as a part of the kit but must be ordered separately.

1012A **MFR DISC**

Replaced by the 1014B tool kit.

1013A

This tool kit includes the following items:

QTY	DESCRIPTION
1	KS-16261 Carrying Case containing:
1	636A Tool
1	586B Tool (holder and guard for 636A tool)
1	KS-16118 Carrying Case containing:
1	578E Tool
1	628A Tool
1	629A Tool
1	629B Tool
1	630A Tool
1	638A Tool
1	638B Tool
1	652A Tool
1	652B Tool
2	656A Tools
1	689A Tool
1	KS-14640 Pliers
1	KS-14641 Pliers
1	KS-16735 Pliers
1	768 Tool
1	P-16A181 Container for P-16A180 0.009-inch contacts
1	840 056 584 Electrode

Contacts are not furnished with the kit but must be ordered separately. For use with the 1004B tool kit in replacing precious metal contacts on wire spring relays.

1014A **MFR DISC**

Replaced by the 1014B tool kit.

1014B

This tool kit includes the following items:

QTY	DESCRIPTION
1	20B Carrying Case containing:
1	666B Tool
1	P-16A068 Container (for 669A tools)
6	669A Tools
1	674A Tool
1	715A Tool
1	716A Tool
1	716B Tool
1	717B Tool
1	P-12B564 Plastic Box (for wedges)
4	718A Tools (wedges)
1	P-12B537 Container (for terminal guide tubes)
8	P-12B536 Tubing (terminal guide tubes)

Containers P-12B537, P-12B564, P-16A068, and P-12B536 tubing must be ordered separately.

Replaces the 1012A and 1014A tool kits. For use in replacing coils of 286-, 287-, and 288-type relays.

1015A

This kit includes the following tools in addition to an assortment of replacement coils, relays, and other apparatus required for maintenance of remote units of the 1A line concentrator:

QTY	DESCRIPTION
1	Repairman Case (Specification AT7179B)
1	KS-16363 L1 Wire Wrapping Tool
1	KS-16492 L1 Wire Unwrapping Tool
1	KS-16522 L1 Wrapping Bit
1	KS-16363 L30 Stationary Sleeve

For use in maintenance of the 1A line concentrator.

1017A	QTY	DESCRIPTION
This tool kit includes the following items:		
QTY		DESCRIPTION
1		KS-20499 L1 Carrying Case
1		P-11H619, Det. 1, Retainer, Wedge Support Assembly
2		P-11H620, Det. 2, Spacer Nuts
1		P-11H621, Det. 3, Post, Anchoring
2		P-11H622, Det. 4, Studs, Spacing
1		P-11H623, Det. 5, Wedge Inserter Assembly
4		P-12B536, Det. 6, Tubes with plastic container, P-12B537
1		P-11H624, Det. 7, Yoke Assembly
4		P-11H625, Det. 8, Insulators
2		P-11H627, Det. 10, Retainer Assemblies
2		P-11H628, Det. 11, Retainers, Stud Spacer
1		P-11H629, Det. 12, Support, Top Wedge
1		P-11H634, Det. 17, Support, Bottom Wedge
1		P-11H635, Det. 18, Bracket Assembly
1		P-11H613, Det. 15, Bracket
1		P-11H636, Det. 19, Clip
1		P-11H637, Det. 20, Wedge, Top
1		P-11H644, Det. 21, Wedge, Bottom
1		P-11H638, Det. 22, Wedge, Top
1		P-11H645, Det. 23, Wedge, Bottom
1		P-11H639, Det. 24, Wedge, Top
1		P-11H646, Det. 25, Wedge, Bottom
1		P-11H640, Det. 26, Wedge, Top
1		P-11H647, Det. 27, Wedge, Bottom
1		P-11H641, Det. 28, Wedge, Top
1		P-11H648, Det. 29, Wedge, Bottom
1		P-11H642, Det. 30, Wedge, Top
1		P-11H649, Det. 31, Wedge, Bottom
1		P-11H643, Det. 32, Wedge, Top
1		P-11H650, Det. 33, Wedge, Bottom
1		P-11H632, Det. 34A, Wedge
1		P-11H651, Det. 34B, Wedge
1		P-12B564, Plastic Box for Det. 7 and 19
1		628A Tool
1		1018A Tool Kit consisting of one each:
		P-11H630, Det. 13, Comb
		P-11H631, Det. 14, Comb
		P-11H633, Det. 16, Lifter
		840440168, Det. 35, Lifter

840286199, Det. 36, Lifter
840286207, Det. 37, Comb
840286215 Det. 38, Comb Lifter

Replaces the 1014B tool kit in the repairing of AF-, AG-, AJ-, and AK-type wire spring relays.