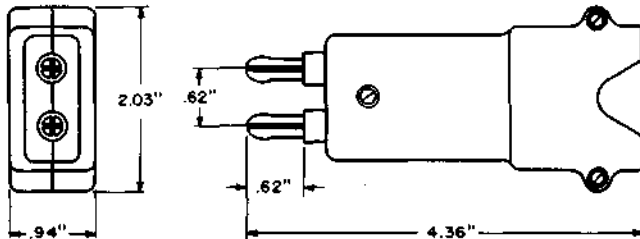


NONCODED TOOLS

ADAPTERS

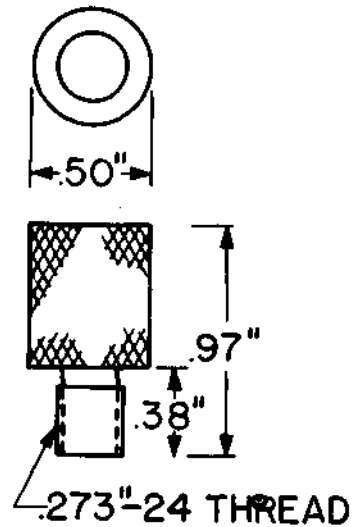
DESCRIPTION

→147A←



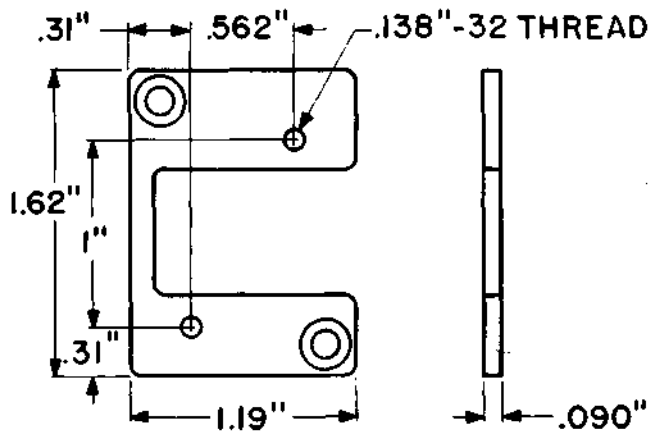
A twin plug and twin jack arranged for use with a 240 or similar-type jack and a 419A plug. Each finger provides sleeve contact only. Intended for use as a monitor plug adapter in E6 telephone repeaters of common systems.

→151A←



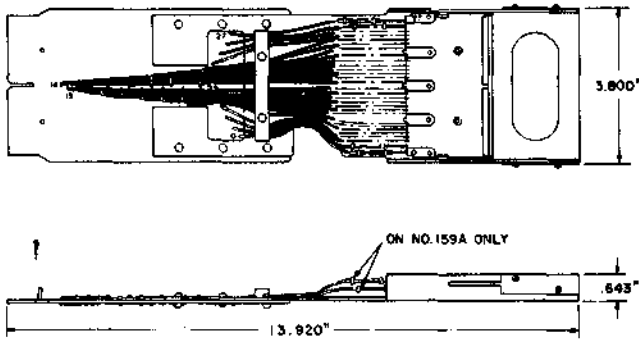
A metal adapter arranged to thread into a 413-type plug. Intended for use in testing cable pairs on main distributing frames equipped with 300-type connectors.

→150A←



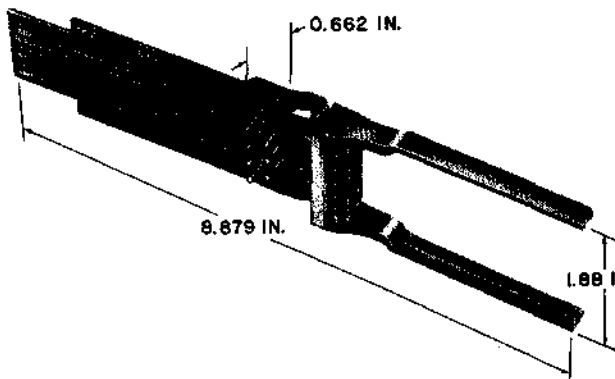
A metal U-shaped plate arranged to mount a 263A jack mounting in positions intended for mounting a 212A jack mounting. Intended for use in common systems.

→158A
159A←



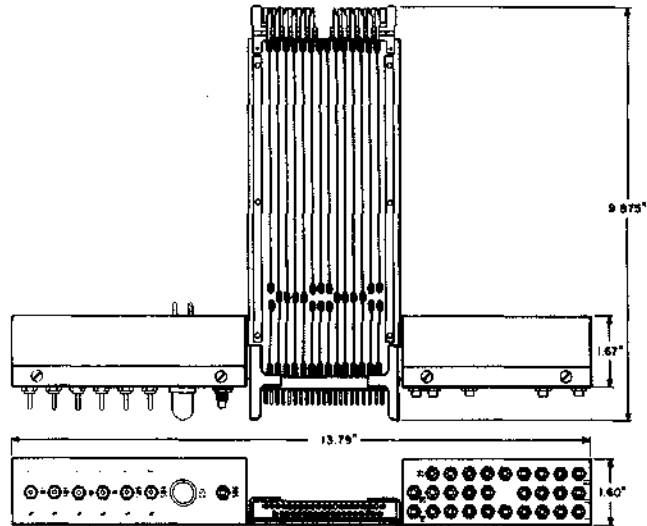
Each consists of a printed wiring board and a 905B connector assembled in a metal frame. The 158A has permanent connections between wiring board and 905B connector. The 159A has connections between wiring board and 905B connector which can be interchanged to permit a variety of tests. Intended for use in No. 1 ESS to permit printed wiring boards mounted in 36A apparatus mounting to be extended beyond the apparatus mounting for testing purposes.

163A



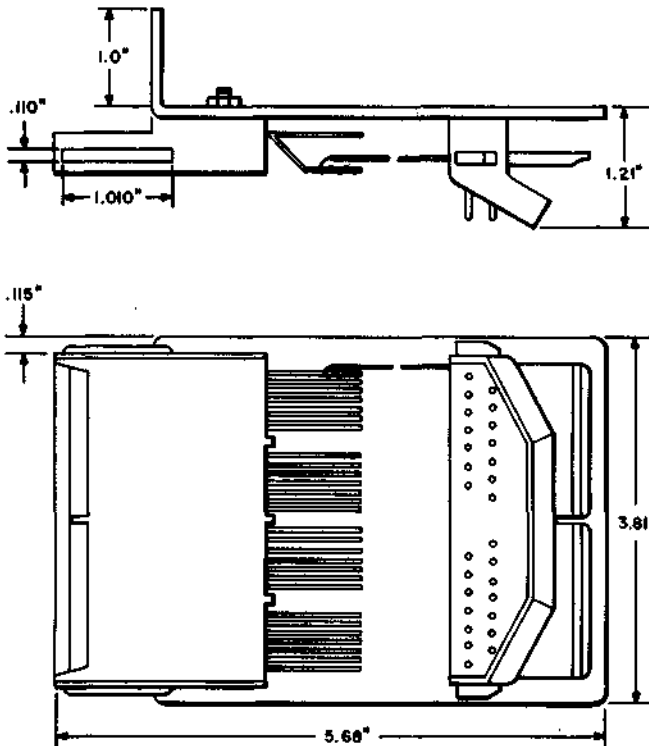
Consists of a printed wiring board equipped with test terminals, a 906F connector, and a U-shaped slotted metal guide bracket. Intended for use in testing D3 circuit packs.

→164A←



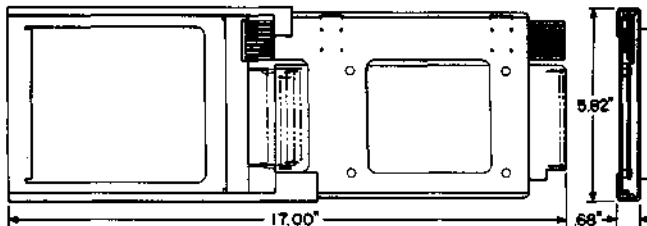
Consists of jacks, switches, and a lamp mounted on a metal mounting plate with terminal covers. A printed wiring board that contains eyelets used for plugging into the circuit is also assembled to the metal frame. Intended for use as an extender board and as an aid in locating faulty circuit pack of No. 101 ESS. Initially used in the 124A test set.

→169A←



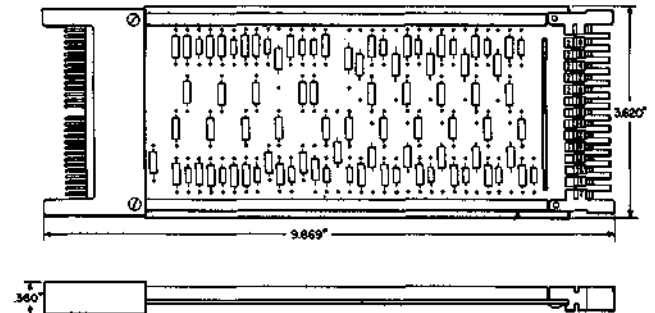
Consists of a printed wiring board and a 905B connector assembled in a metal frame. Intended initially for use in the No. 1 ESS to permit testing of the trunk unit relays of the plug-in type trunk units.

→171A←



Consists of a steel framework equipped with sliding adjustable keys which mount into a 927-type connector. Intended for use in extending AR-coded circuit packs from their normal mounting positions in the 58A, 59A, and 61A apparatus mountings for in-circuit testing. Initially used in No. 1 ESS (ADF).

→178A←

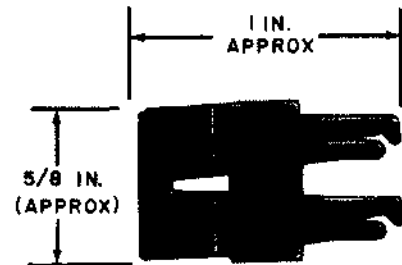


Consists of component apparatus mounted on a printed wiring board equipped with a P-42F226 terminal block on one end and a P37C859 connector on the other end. Initially used in No. 1 ESS.

→181A←

Consists of a printed wiring board, bracket assemblies, and a 916A connector. Permits circuit packs mounted in equipment to be extended beyond the assembly faceplates for testing purposes. Initially used in PBX ANI System.

183A2



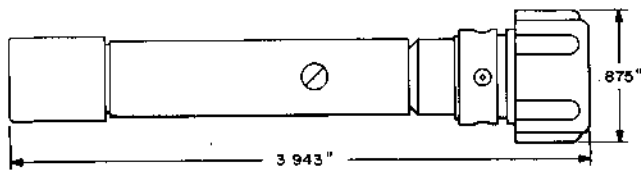
A 2-terminal quick clip connector with a spring clasp on one side which fits over two adjacent clips of a 66-type block. A molded plastic block is fitted around the middle to provide a working surface for the 714-type tool.

→186A←



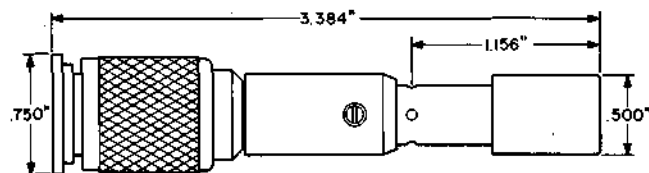
Consists of a metal frame assembly containing a plug and connector. Permits the oscillators mounted in equipment to be extended beyond the assembly face for testing purposes. Initially used in test oscillator panel J68877B.

→203A←



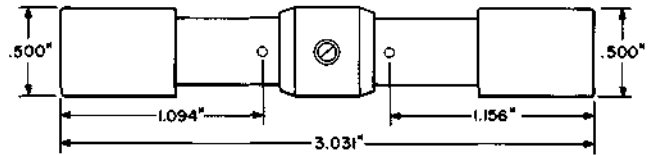
Consists of a 477D jack less mounting plate on one end and a KS-14982 L3 jack on the other end. Used for testing and fault-location work in coaxial cables. Initially used in L1, L3, and L4 Carrier Systems.

→204A←



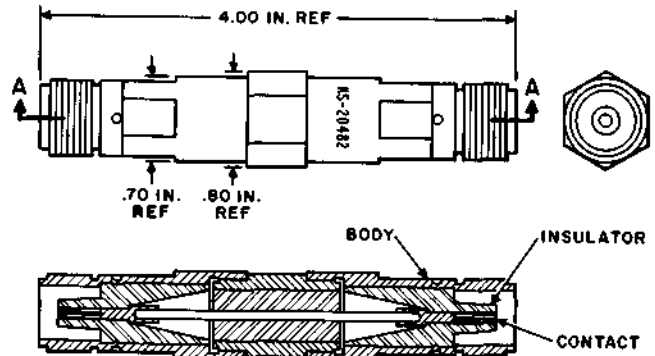
Consists of a KS-14317 L3 plug on one end and a 358C plug on the other. Used for testing and fault-location work in coaxial cables. Initially used in L1, L3, and L4 Carrier Systems.

→206A←



Consists of a 358C plug on each end. Used for testing and fault-location work in coaxial cables. Initially used in L1, L3, and L4 Carrier Systems.

KS-20482 L1



A male, coaxial adapter arranged for screw-on connection at both ends to a KS-14317 L3 plug. For use in testing and fault-location work in L1, L3, and L4 Carrier Systems.