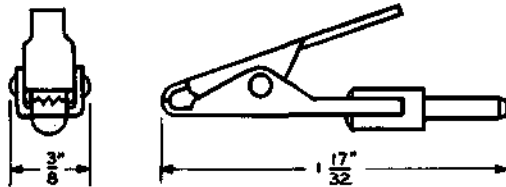


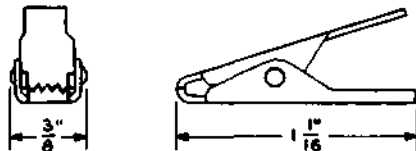
NONCODED TOOLS
CLIPS (CONNECTING AND TEST) DESCRIPTION

CLIP, CONNECTING, KS-6278



For general use on 360A, B, and C tools. The jaws can be insulated by means of a 108 cord tip (insulating tubing).

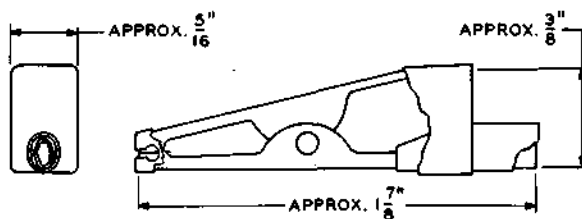
CLIP, CONNECTING, KS-6780



For general use on test cords when the clip is to be soldered to the cord. The jaws can be insulated by means of a 108 cord tip (insulating tubing).

CLIP, TEST, KS-16336

In ordering, specify list number desired.



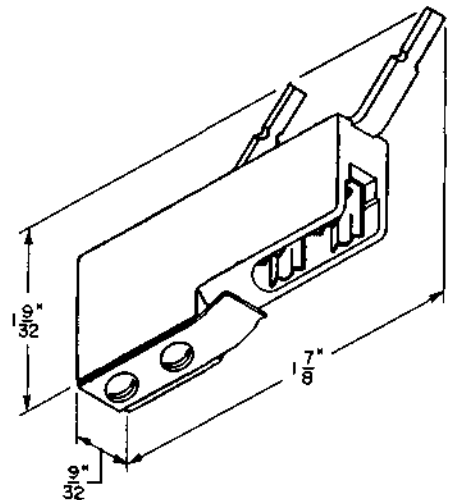
**LIST
NUMBER**

- 1 Red cover insulator
- 2 Black cover insulator

Insulators over jaws and clip shanks shipped disassembled. These clips are normally used on the W20F cord for making connections to distributing frame terminal strips.

Clips are to be soldered to cord conductors.

CLIP, TEST, B



For use on 121-type protectors and 300-type connectors to provide means for connecting to the cable pairs at the test terminals. This clip may be used with the M2EM cord for bypassing the protector.