

INCOMING AND INTERMEDIATE SELECTORS

SEIZURE TEST

STEP-BY-STEP SYSTEMS

1. GENERAL

1.01 This section describes a method of making a rapid seizure test of incoming selectors and intermediate selectors to determine if the equipment operates when seized from a distant office.

1.02 This section is reissued to delete testing information for connectors. Since this reissue covers a general revision, arrows ordinarily used to indicate changes have been omitted.

1.03 This test will be necessary only when the trunk circuit is operating at or near the operating limits of the trunk equipment. (2000 ohms)

1.04 This test checks the operation of the A relay by applying a predetermined resistance to the circuit as a loop capability measurement.

1.05 A switch which fails the test in this section indicates that the adjustment of the "A" relay is out of limits and should be readjusted in accordance with the circuit requirements tables, or that other trouble exists.

1.06 When testing incoming selectors, the associated trunk should be made busy at the distant office in the approved manner during the tests.

1.07 This test should be made during periods of light traffic.

1.08 Lettered Steps: The letters a, b, c, etc, are added to a step number to indicate that the steps cover an action which may or may not be required, depending on local conditions. The conditions under which a lettered step or series of steps should be made are given in the ACTION column, and all steps governed by the same condition are designated by the same letter. Where a condition does not apply, the associated steps should be omitted.

1.09 The test equipment specified in this section is designed to apply proper marginal tests (simulated critical circuit conditions) when the circuit under test and the test equipment have an applied voltage of 48.5 to 50. In those offices where power plants are normally operated at more than 50 volts, the battery voltage should be reduced and maintained within the required limits while the tests are being made.

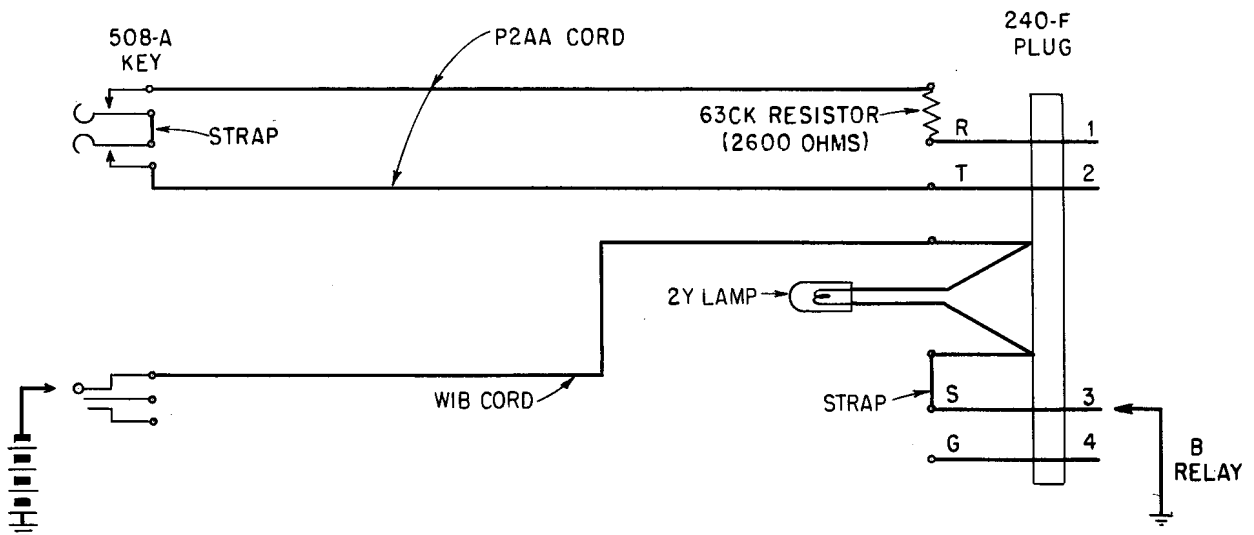


Fig. 1 - Selector Seizure Test

SECTION 226-305-504

2. APPARATUS

2.01 Assemble locally the test set shown in Fig. 1 as follows:

- (a) Mount the 63CK Resistor on the cord hook of the 240F Plug with a one-inch machine screw.
- (b) Connect the 63CK Resistor (2600 ohms) in series with the No. 508-A Key (white button) and across the tip and ring springs of the 240F Plug using a P2AA Cord (3 feet long).
- (c) Strap the center springs of the 508-A Key (white button) as shown.

- (d) Strap bottom lamp jack terminal of the 240F Plug to spring No. 3.
- (e) Connect the top lamp jack terminal to a WLB Cord (10 feet long) equipped with one 310 Plug, if office battery jacks are provided, or one KS-6780 Tool, if office battery jacks are not provided. (Use a WLC Cord, 20 feet long, if required.)
- (f) Insert a 2Y lamp in the lamp jack.
- (g) Tape the cords to the handle of the 240F Plug.

3. METHOD

<u>STEP</u>	<u>ACTION</u>	<u>VERIFICATION</u>
1a	If testing incoming selectors - Busy trunks in distant office in approved manner.	
2b	If battery jack is provided - Insert 310 plug of WLB cord into battery jack.	
3c	If battery jack is not provided - Connect KS-6780 tool of WLB cord to equipment side of a convenient fuse (not over 3 amperes).	
4	Insert 240F plug into test jack of idle switch.	Test lamp does not light. <u>Note:</u> If test lamp lights, proceed to another switch.
5	Operate white button of 508A key.	Test lamp lights.
6	Release white button of 508A key.	Switch takes one vertical step and releases. Test lamp extinguished.
7	Remove 240F plug from test jack.	
8	When tests are completed - Remove 310 plug or KS-6780 tool from battery supply.	