

**COIN TRUNK CIRCUIT SD-32539-01
ARRANGED FOR COIN FIRST SERVICE
OPERATION TESTS
USING TRUNK TEST SET SD-90469-01 OR
SD-90469-02 (J94710A)
STEP-BY-STEP SYSTEMS**

1. GENERAL

PAGE

1.01 This section describes a method of testing the operating features of the coin trunk SD-32539-01, arranged for coin first service, using trunk test set SD-90469-01 or SD-90469-02 (J94710A). Information in this section was formerly contained in Section 226-521-500.

metallic cut-through over which the operator controls the coin and also the feature that provides the operator with a means of holding a trunk and ringing back through it. **7**

1.02 This section is reissued for the following reasons:

D. Stuck-Coin Alarm Test: This test checks that the stuck-coin alarm feature of the coin trunk functions satisfactorily. **9**

(a) To revise paragraph 1.05 to include information on sleeve identification when performing Test C in an office provided with ANI.

E. Coin-Trunk-Timed-Release Circuit Test (SD-31861-01): This test checks that the coin-trunk-timed-release circuit will release the coin trunk when a stuck-coin condition is applied. **10**

(b) To add Test F to test 12-second disconnect feature (option ZF).

This issue affects the Equipment Test List.

F. 12-Second Forced Disconnect Feature (Option ZF): This test checks the 12-second forced disconnect feature (option ZF) which disconnects the switch train within 12 seconds when the called party disconnects but coin station remains off hook. **11**

1.03 The tests covered are:

PAGE

A. Coin Collect—Loop: This test checks the coin collect features of the coin trunk while under a loop condition. **5**

1.04 These tests should preferably be made during periods of light traffic, and the performance of Test C should be coordinated with the group responsible for operator services.

B. Coin Return—Leak: This test checks the coin return features of the coin trunk while under a leak condition. **6**

1.05 During Test C, when testing to a TSPS office, and automatic number identification (ANI) equipment is provided in testing office, a sleeve identification will have to be provided to

C. Operator Cut-Through and Ringback: This test checks the

NOTICE

Not for use or disclosure outside the
Bell System except under written agreement

prevent second trial transverter failure registrations. (See Fig. 1 for example of providing this sleeve identification.)

1.06 When testing coin trunks equipped with coin-trunk-timed-release circuit SD-31861-01, test each trunk in accordance with procedures of Test D; then test each trunk in accordance with procedures of Test E.

1.07 During Test E, the check of the coin-trunk-timed-release circuit register, if provided, will cause the register to advance. The reporting of this register operation should be in accordance with local instructions.

1.08 When making the coin-trunk-timed-release circuit (SD-31861-01) ineffective in an office arranged for extending alarms to another office, operate audible alarm switch or key to position where audible alarm will be heard. For offices not arranged for extending alarms, at coin-trunk-timed-release circuit (SD-31861-01), turn CO key to a position where GD lamp lights. Some offices may have circuit arrangements which do not furnish key control; in this case it will be necessary to block coin-trunk-timed-release C relay in the nonoperated position.

1.09 When making the coin-trunk-timed-release circuit (SD-31861-01) effective in an office arranged for extending alarms to another office, operate audible alarms switch or key to position that makes alarms extend to another office. Notify

proper person in the distant office that alarms have been transferred. For offices not arranged for extending alarms, at coin-trunk-timed-released circuit (SD-31861-01), turn CO key to a position where GD lamp is extinguished.

1.10 When testing coin trunks which are reached through secondary line switches, the key, which is provided at the trunk relay rack for rotating the secondary master switch associated with the trunk to be tested, should be operated momentarily to pick up disengaged plungers.

2. TEST PROCEDURES

A. Apparatus

Tests A Through F

2.01 Trunk test set J94710A (SD-90469-01 or SD-90469-02)


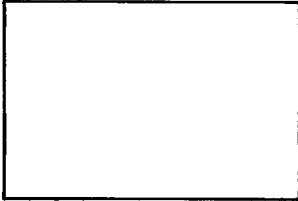
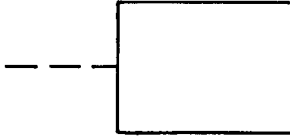

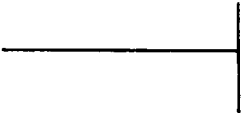

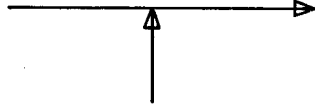
2.02 Head telephone set, 52-type.

2.03 Patching cords, two P3E cords, 6 feet long, equipped with red-shelled 310 plugs (3P7A cords).

B. Flowcharts

2.04 Table A provides an explanation of the symbols that are used in the test procedure flowcharts.

TABLE A
FLOW CHART EXPLANATIONS

SYMBOL	EXPLANATION
	Indicates the beginning of the procedure and an exit or entrance reference to pages within same procedure.
	Indicates an action which is performed on a manual or automatic basis.
	Brackets are used to reference supporting-type data.
	Used to represent a decision which determines which one of two paths to take.
	The end of procedure symbol is used to denote that the end of the emergency action condition has been completed.
	Used to indicate the direction of information flow.
	Used to indicate two processes flowing into a common sequence.

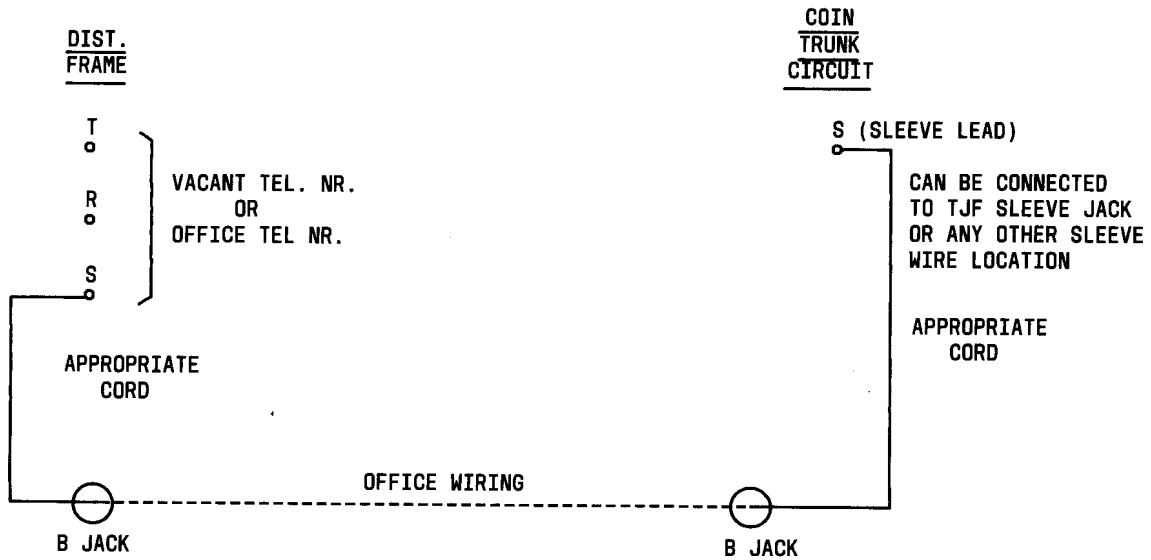


Fig. 1—Example of Connections Needed For Test C When Office is Equipped With ANI

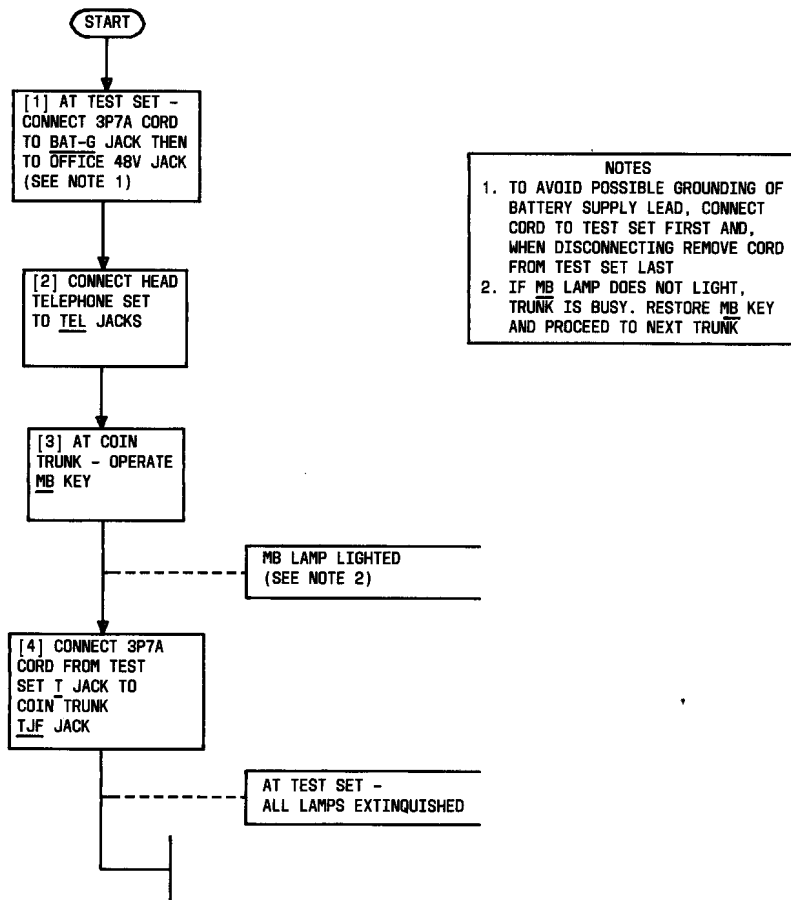


Fig. 2—Test Preparation

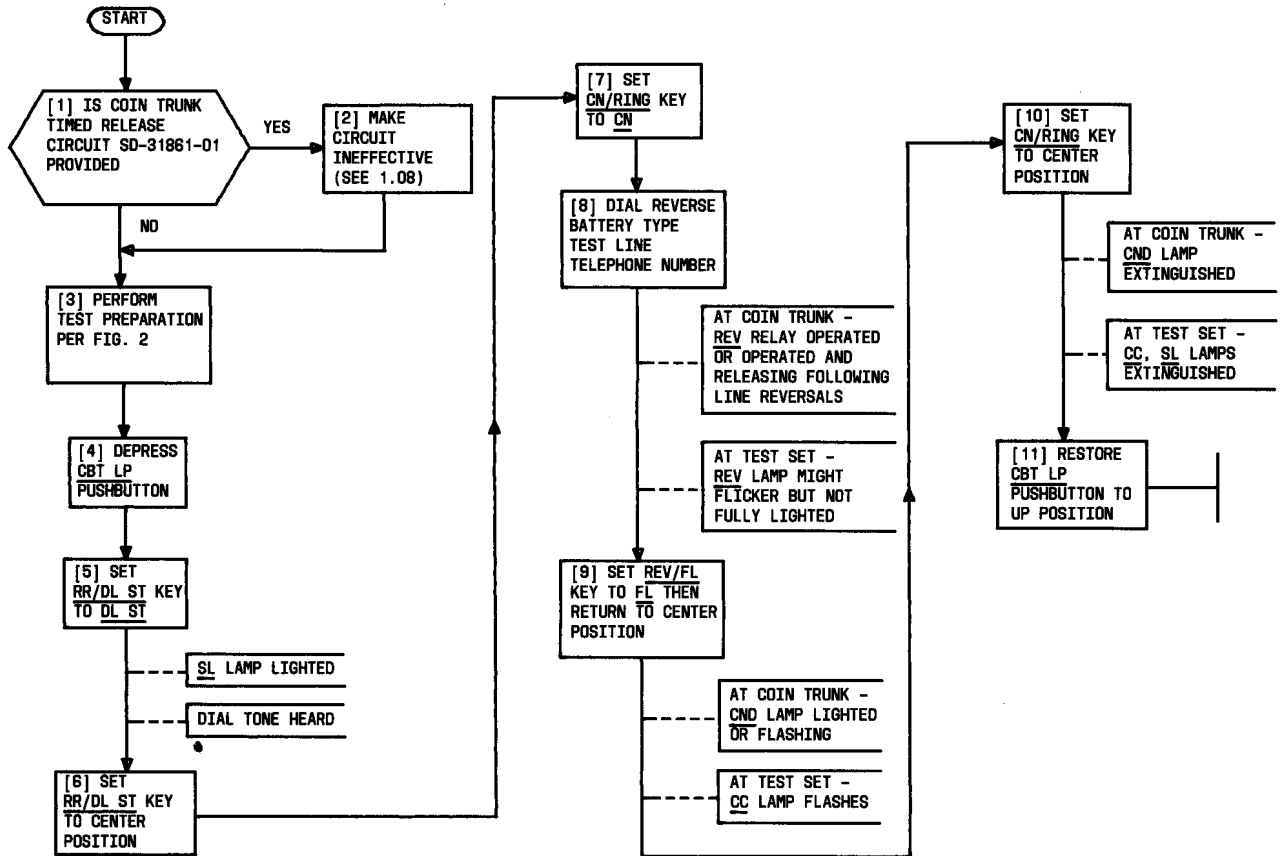


Fig. 3—Test A: Coin Collect-Loop

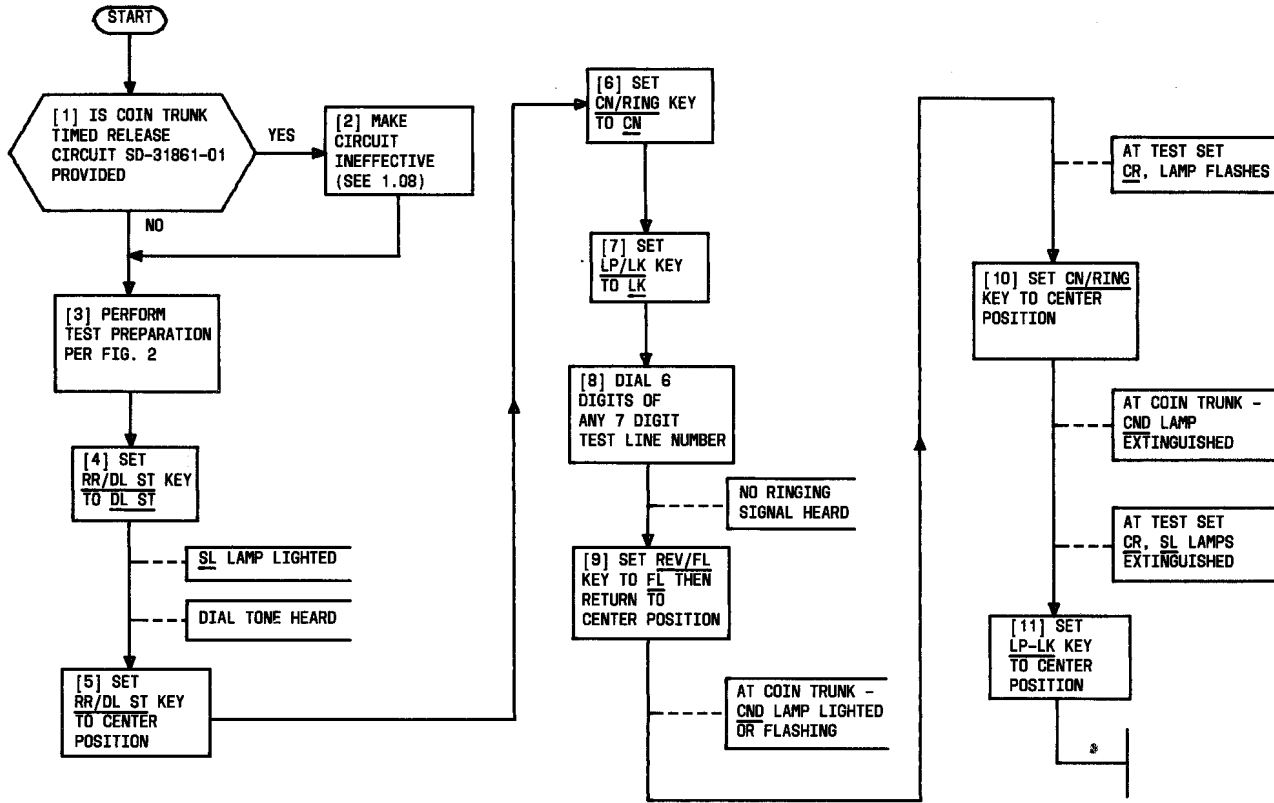


Fig. 4—Test B: Coin Return-Leak

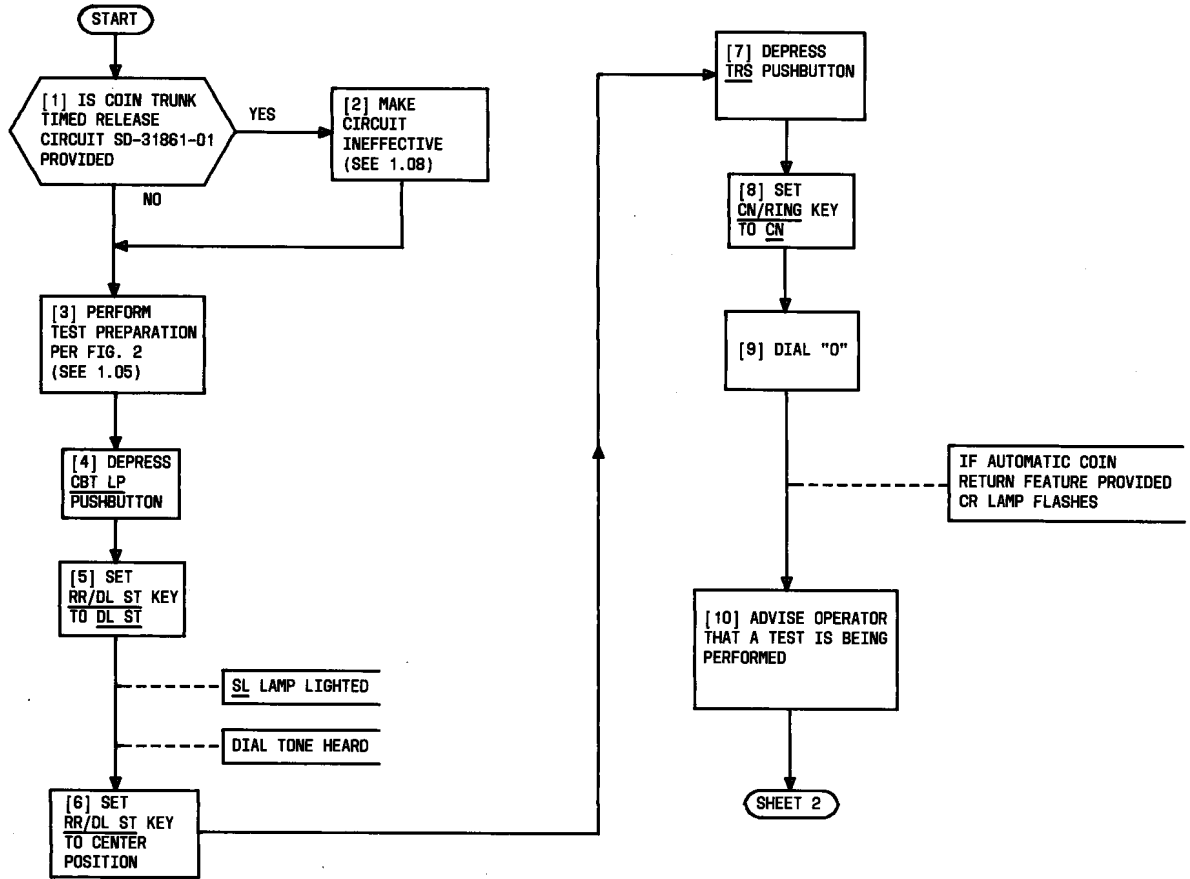


Fig. 5—Test C: Operator Cut-Through and Ringback (Sheet 1 of 2)

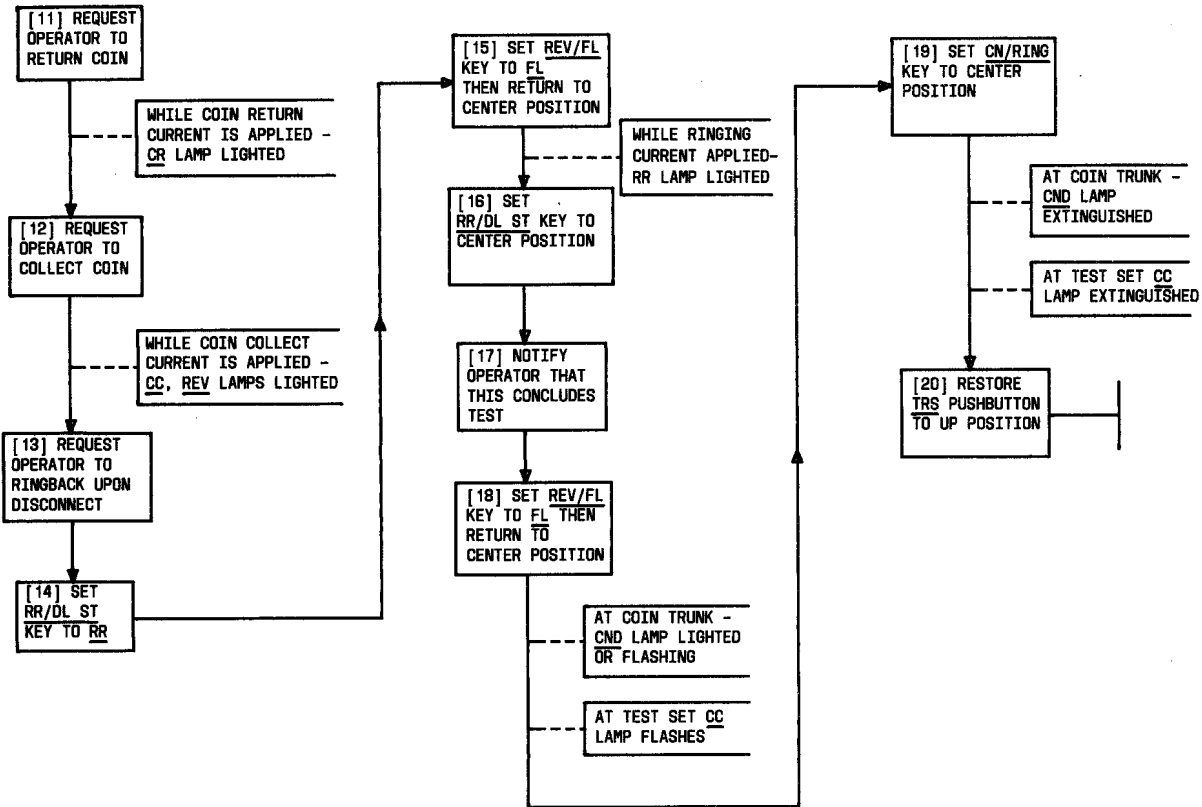


Fig. 5—Test C: Operator Cut-Through and Ringback (Sheet 2 of 2)

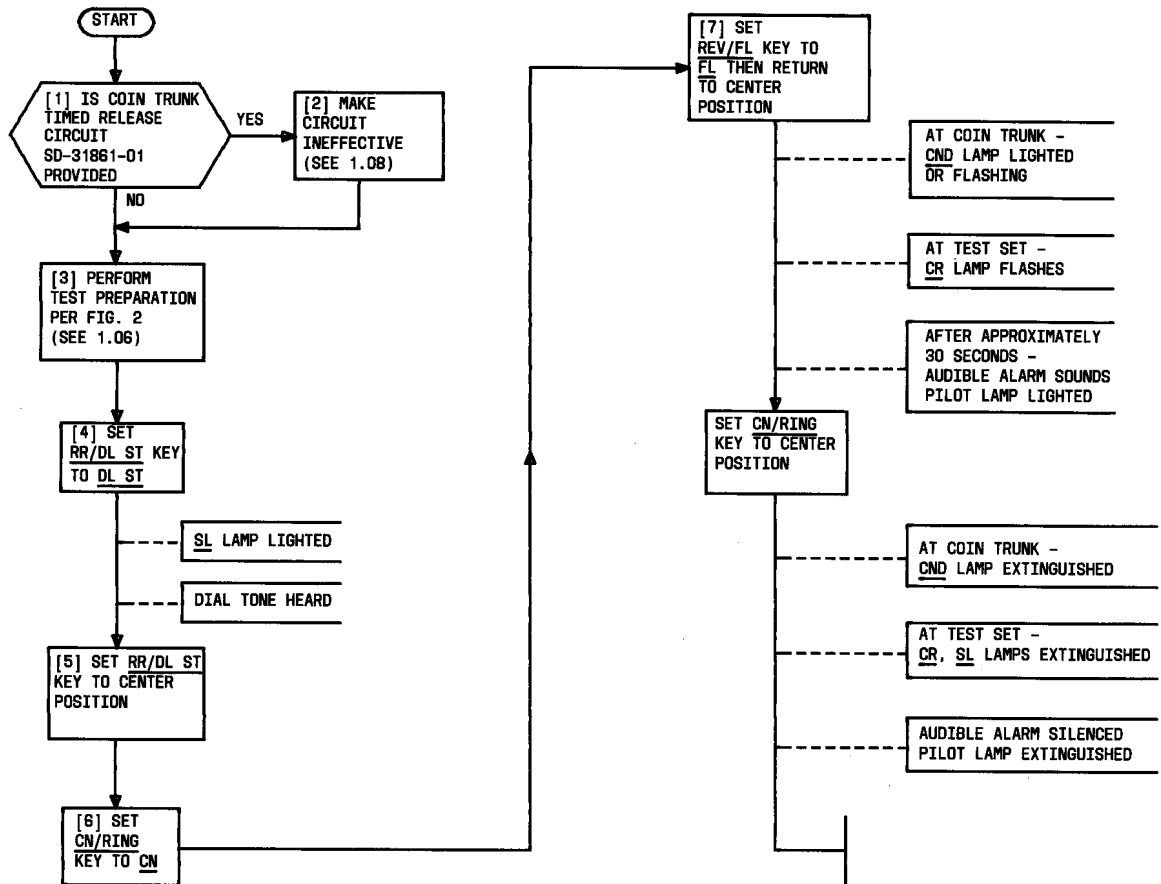


Fig. 6—Test D: Stuck-Coin Alarm Test

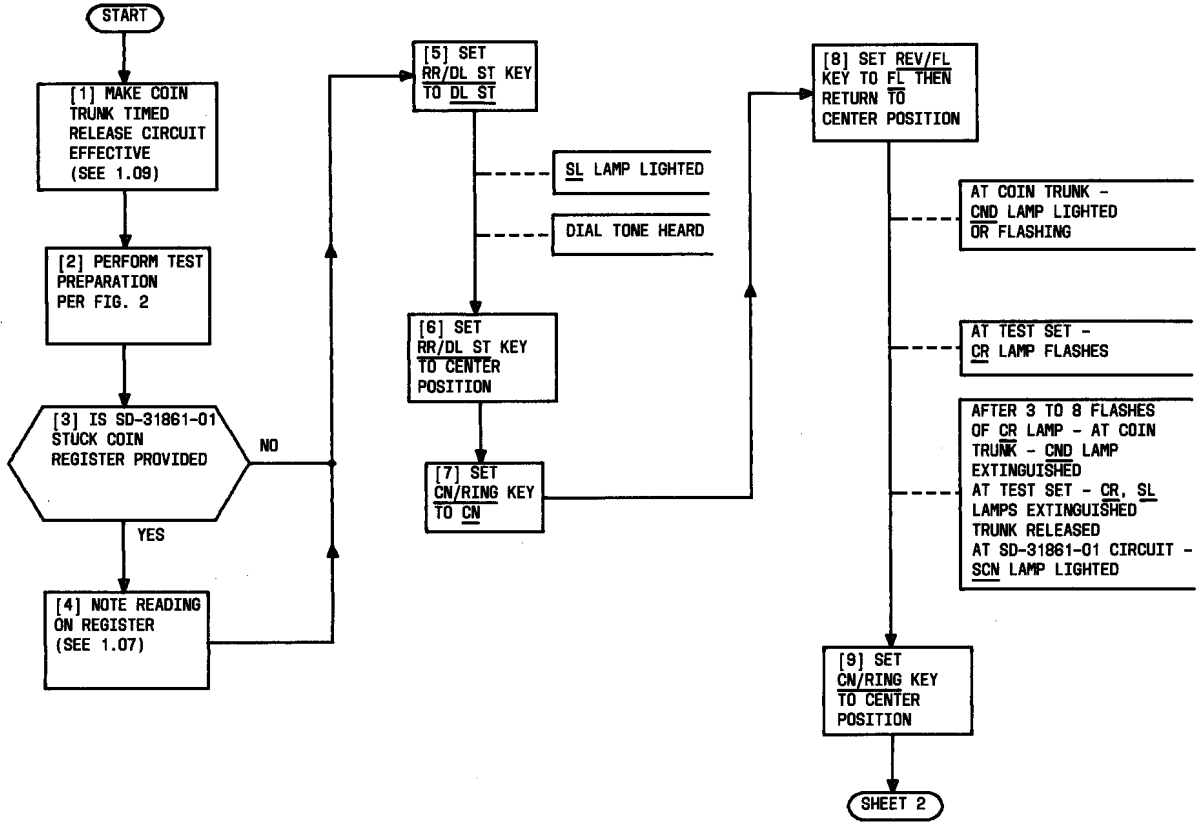


Fig. 7—Test E: Coin-Trunk-Timed-Release Circuit Test (SD-31861-01) (Sheet 1 of 2)

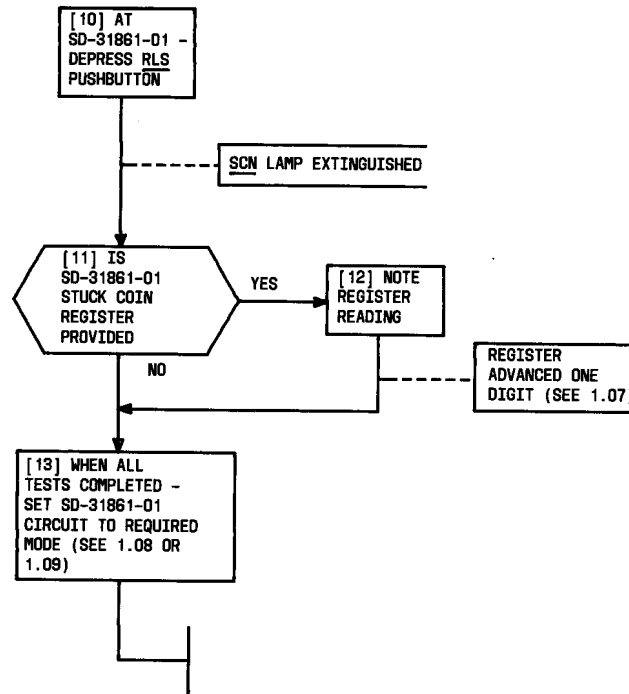


Fig. 7—Test E: Coin-Trunk-Timed-Release Circuit Test (SD-31861-01) (Sheet 2 of 2)

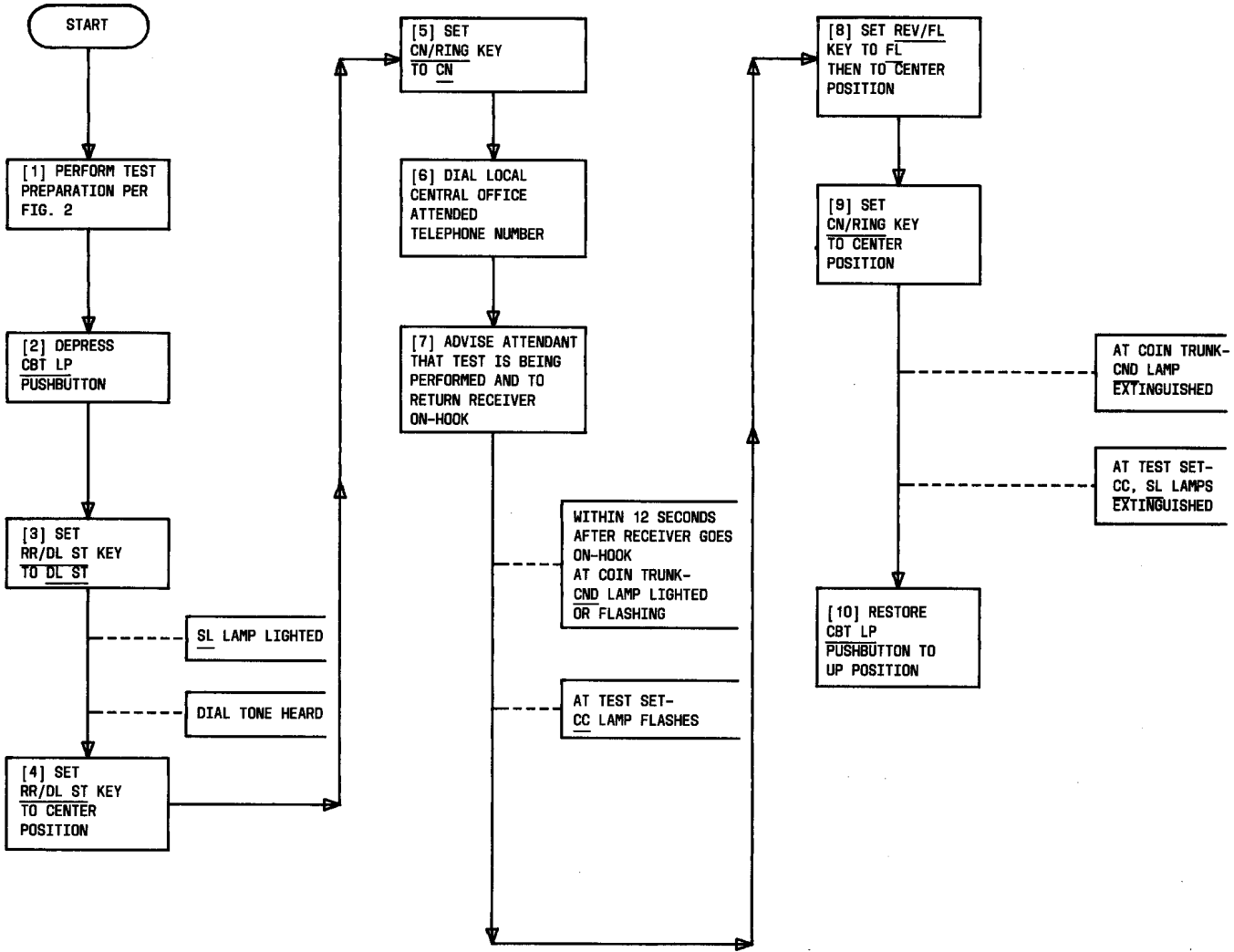


Fig. 8—Test F: 12-Second Forced Disconnect Feature (Option ZF)