

REPLACING PAGE ADDENDUM

Filing Instructions:

1. REMOVE FROM THE SECTION THE PAGES NUMBERED THE SAME AS THOSE ATTACHED TO THIS PINK SHEET.
2. INSERT THE ATTACHED PAGES INTO THE SECTION IN THEIR PLACE.
3. PLACE THIS PINK SHEET AHEAD OF PAGE 1 OF THE SECTION.

4-WIRE PRIVATE LINE SYSTEM
CONNECTIONS TO SELECTIVE SIGNALING SYSTEM SS-1A

1. GENERAL

1.001 This addendum supplements Section 518-600-401, Issue 1. The attached pages must be inserted in the section in accordance with the filing instructions above.

1.002 This addendum is issued to correct battery and ground connections and revise the connections to the dial pulse converter circuit.

2. CONNECTIONS

The following changes apply to Part 2 of the section:

- (a) Fig. 2 (Sheet 1), Page 6—revised
- (b) Fig. 3 (Sheet 1), Page 10—revised

Attached:

Page 5 dated February, 1969, reissued

Page 6 dated February, 1969, revised

Page 9 dated February, 1969, reissued

Page 10 dated February, 1969, revised

4-WIRE PRIVATE LINE SYSTEM CONNECTIONS TO SELECTIVE SIGNALING SYSTEM SS-1A

1. GENERAL

1.01 This section contains information on typical single station set connections when using the Selective Signaling System SS-1A with the 4-wire Private Line System. Station set multiplexing connections are included.

1.02 The Selective Signaling System SS-1A may be adapted for TOUCH-TONE® telephone set use.

1.03 The Selective Signaling System SS-1A is factory wired. For factory wired connection information, refer to SD-69594-01.

RELATED REFERENCES

SECTION	TITLE
SD-69566-01	4-Wire Private Line Terminating and Station Circuit
SD-69594-01	Station Systems, SS-1A Selective Signaling System, Counting and Interdigital Control Circuit
981-249-100	4-Wire Private Line System, General Description
518-600-100	4-Wire Private Line System, Identification, Arrangement, and Installation
518-600-400	4-Wire Private Line System, Connections
480-621-202	SS-1 or SS-1A Selective Signaling System, 2-Digit TOUCH-TONE to Dial Pulse Conversion, Equipment Identification, Installation, and Connections
CD & SD-1G251-01	Private Service Systems, 2-Digit DC to Dial Pulse Converter Arranged for use with

SECTION

TITLE

	TOUCH-TONE Receivers and SS-1 or SS-1A
SD-69249-01	Station System No. 102A and Switching System No. 302 Attendant Telephone and Key Circuit (Arranged for Wire Line and Radio Circuit Terminations, and for Calls Between Attendants on an Override Basis)
SD-98124-01	Common Systems E4B Signaling Circuit, 2600 Cycle E and M Lead Supervision
SD-69294-01	Station Systems, Visual and Audible Signal Circuits, Key Telephone Systems No. 1A, 1A1, and 6A
SD-69425-01	Station Systems, Key and Telephone Circuit
SD-69455-01	Station Systems, Key and Telephone Circuit for 2- and 4-Wire Lines
SD-69422-01	Station Systems, Auxiliary Service Transfer Circuit for 4-Wire Lines
463-221-100	Loudspeaker Set-107A
502-512-401	Telephone Set-500AD, Connections

2. CONNECTIONS

2.01 Table A shows unit(s) and circuit(s) combinations of the Selective Signaling System SS-1A and relates specific terminal strips to their associated unit(s). Fig. 1 contains conductor function information required for terminating the Selective

SECTION 518-600-401

Signaling System SS-1A to 4-Wire Private Line equipment and option arrangements.

2.02 Connection Index

Fig. 1—Block Diagram of Typical 4-Wire Private Line Arrangements When Used With SS-1A Selective Signaling System to provide Automatic or Manual Privacy

Fig. 2—Typical Connections for Two to Four Station Sets, Using SS-1A Selective Signaling System Without Privacy

Fig. 3—Typical Connections for a 5-Line 4-Wire Station Set, Using SS-1A Selective Signaling System with Automatic or Manual Privacy and Data Service

Fig. 4—Emergency Power Talking and Signaling Unit, Connections Arranged for 4-Wire Private Line

TABLE A
SS-1A SELECTIVE SIGNALING SYSTEM UNITS

EQUIPMENT CODE	UNIT TITLE AND UNITS OR CIRCUITS *	TERMINAL STRIP (S) (LOCATION)	LIST
J53047A	Send and Receive One to Eighty-One Codes Unit Fuse Block (Unit) Keyer Circuit (Unit) Keyer Oscillator Circuit (Unit) 1st Digit Code Relay Circuits (9) (Unit) Decoder Circuit (Unit) 4-Wire Private Line Terminating Unit (J53045A)†	A, B, C D E F G, H —	1
	Common Control and 1st Station Control Unit Common Control and Station Lockout Circuit (1) Station Control Circuit (1)	J, K	2
	J53045A, L2‡		3
	J53045A, L3‡		4
J53047B	Station Control and Gate Unit (for non-privacy) Station Lockout Control Circuit (1) Gate Circuit (1)	A, B	1
	Station Lockout Control Circuit (5 max)		2
J53047C	Station Control and Gate Unit (for manual privacy) Manual Privacy Control Circuit (1) Station Control Circuit (3) Gate Circuit (1)	A, B	1
J53047D	Station Control and Gate Unit (for automatic privacy) Station Control Circuit (1) Gate Circuit (1)	A, B	1
	Station Control Circuit(s) (4 max)		2

* For other information, refer to Section 812-016-155

† Refer to SD-69566-01

‡ Refer to Section AA 821.035

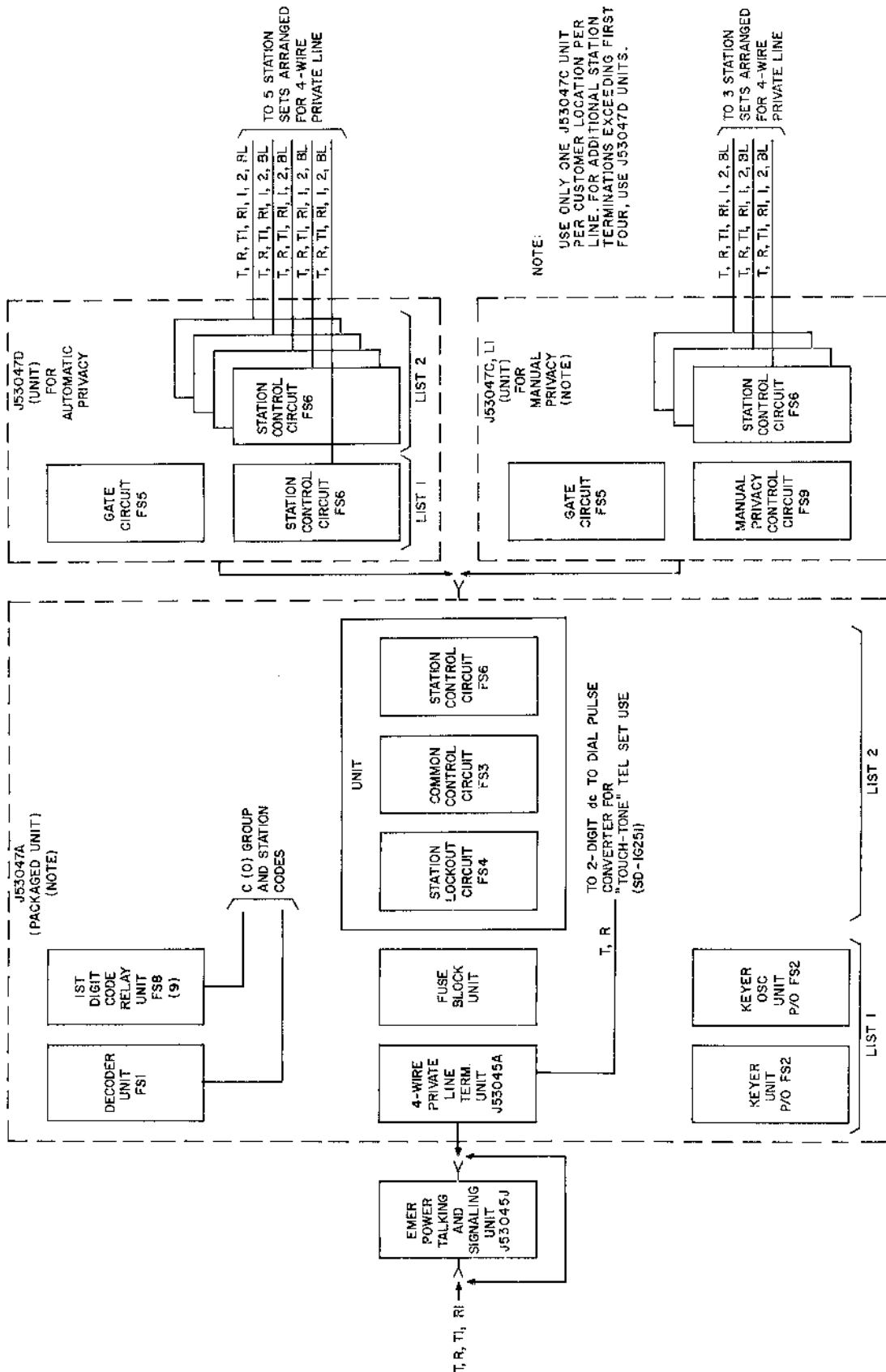
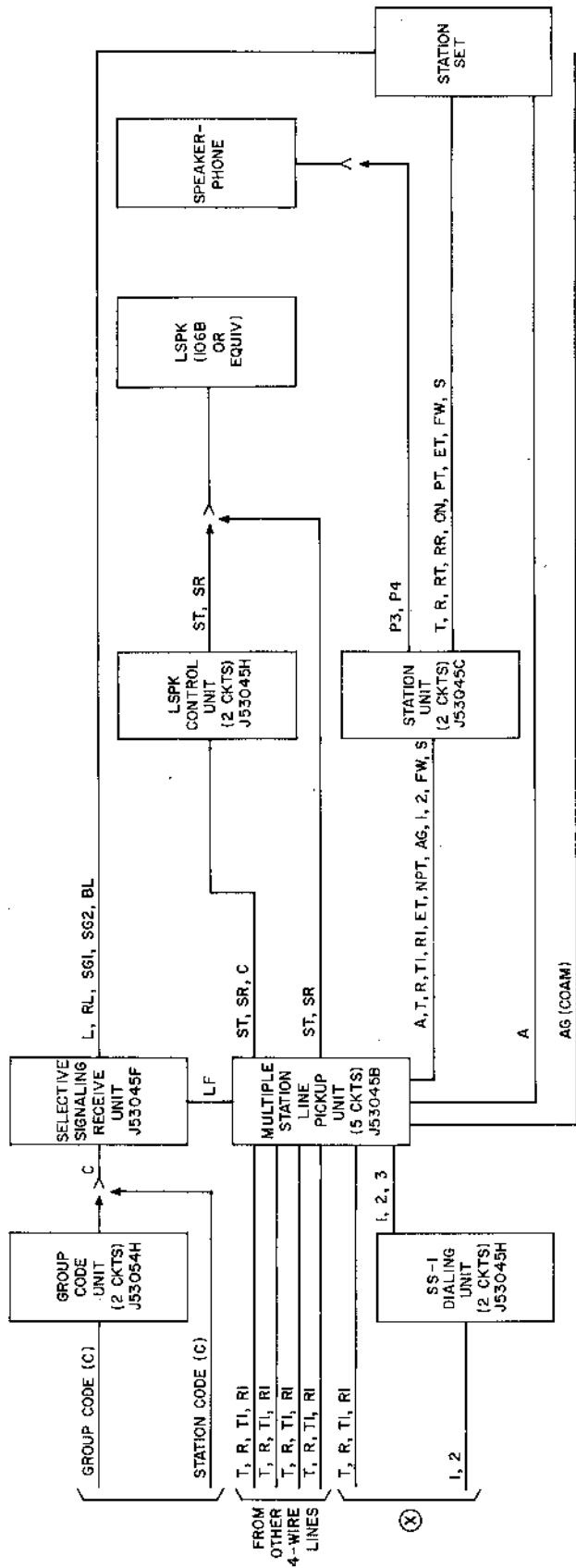
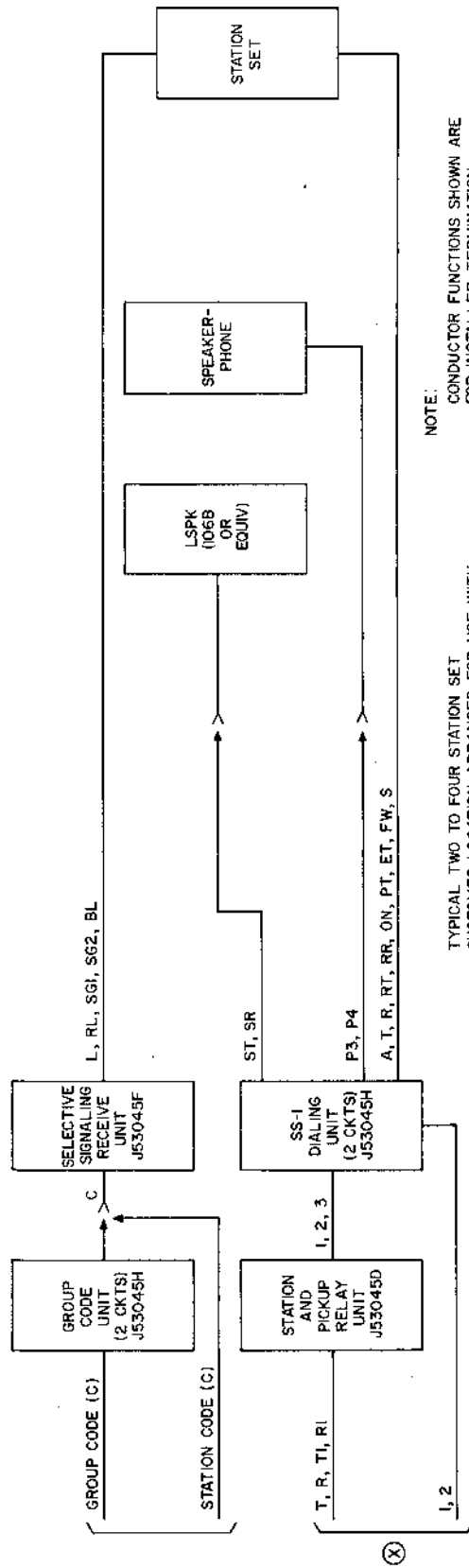


Fig. 1—Block Diagram of Typical 4-Wire Private Line Arrangements When Used with SS-1A Selective Signaling System to Provide Automatic or Manual Privacy (Sheet 1 of 2)



TYPICAL FIVE 4-WIRE LINE TERMINATED STATION SET CUSTOMER LOCATION ARRANGED FOR USE WITH SELECTIVE SIGNALING SYSTEM SS-1A.



NOTE:
CONDUCTOR FUNCTIONS SHOWN ARE FOR INSTALLER TERMINATION
SS-1A PACKAGE UNIT IS FACTORY WIRED.

TYPICAL TWO TO FOUR STATION SET CUSTOMER LOCATION ARRANGED FOR USE WITH SELECTIVE SIGNALING SYSTEM SS-1A.

Fig. 1—Block Diagram of Typical 4-Wire Private Line Arrangements When Used with SS-1A Selective Signaling System to Provide Automatic or Manual Privacy (Sheet 2 of 2)

SECTION 518-600-401

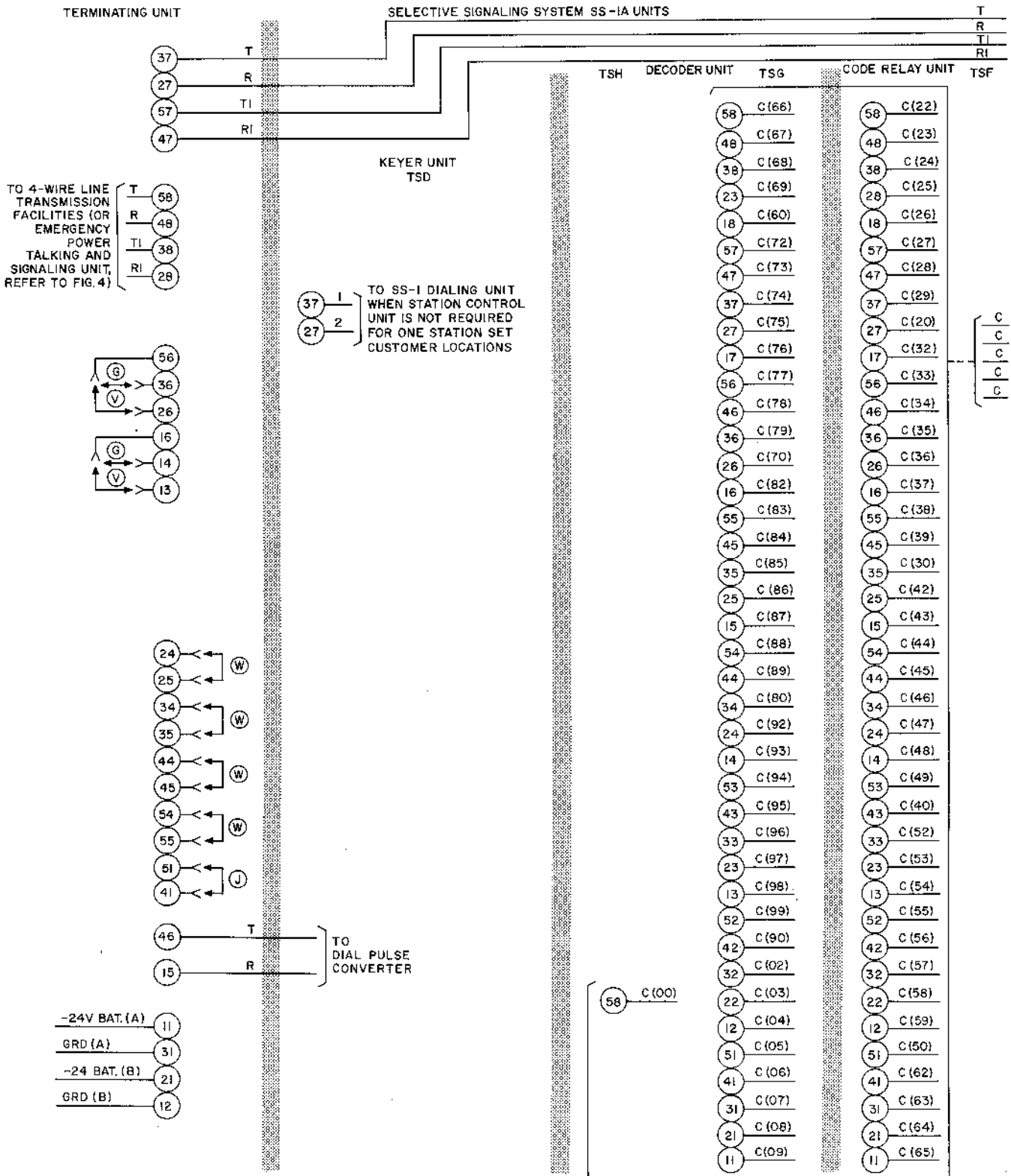


Fig. 2—Typical Connections for Two to Four Station Sets, Using SS-1A Selective Signaling System Without Privacy (Sheet 1 of 4)

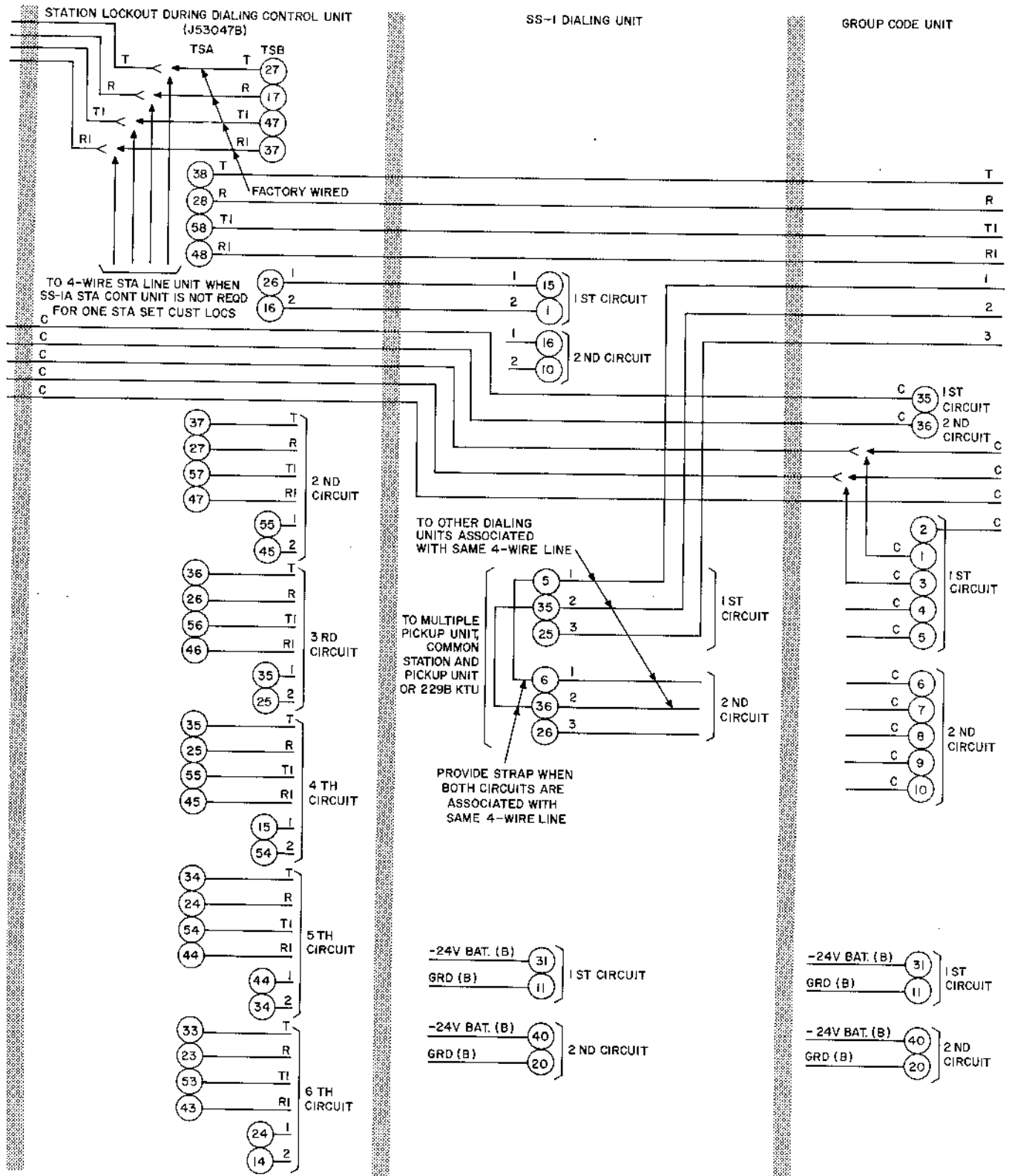


Fig. 2—Typical Connections for Two to Four Station Sets, Using SS-1A Selective Signaling System Without Privacy (Sheet 2 of 4)

SECTION 518-600-401

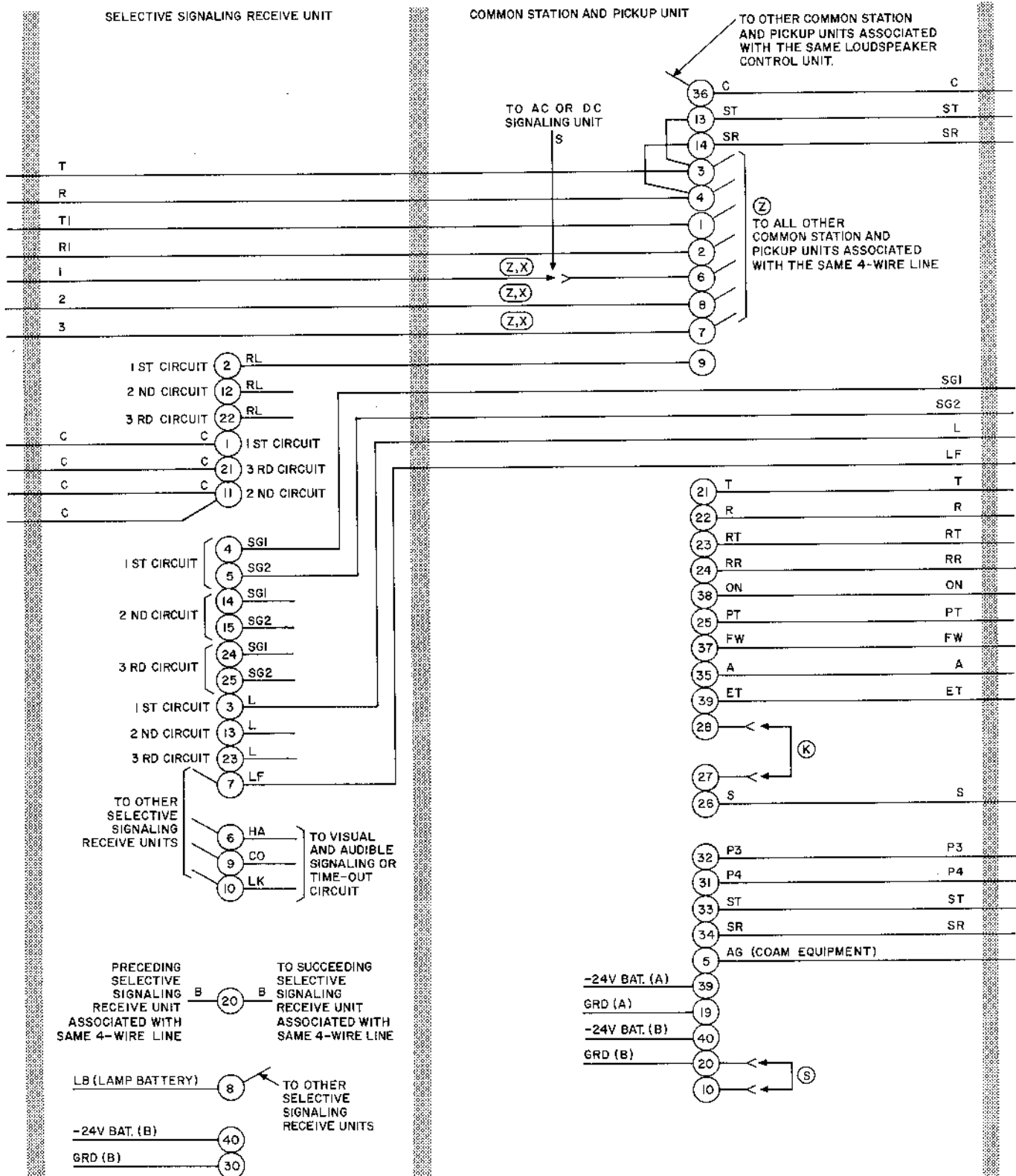


Fig. 2—Typical Connections for Two to Four Station Sets, Using SS-1A Selective Signaling System Without Privacy (Sheet 3 of 4)

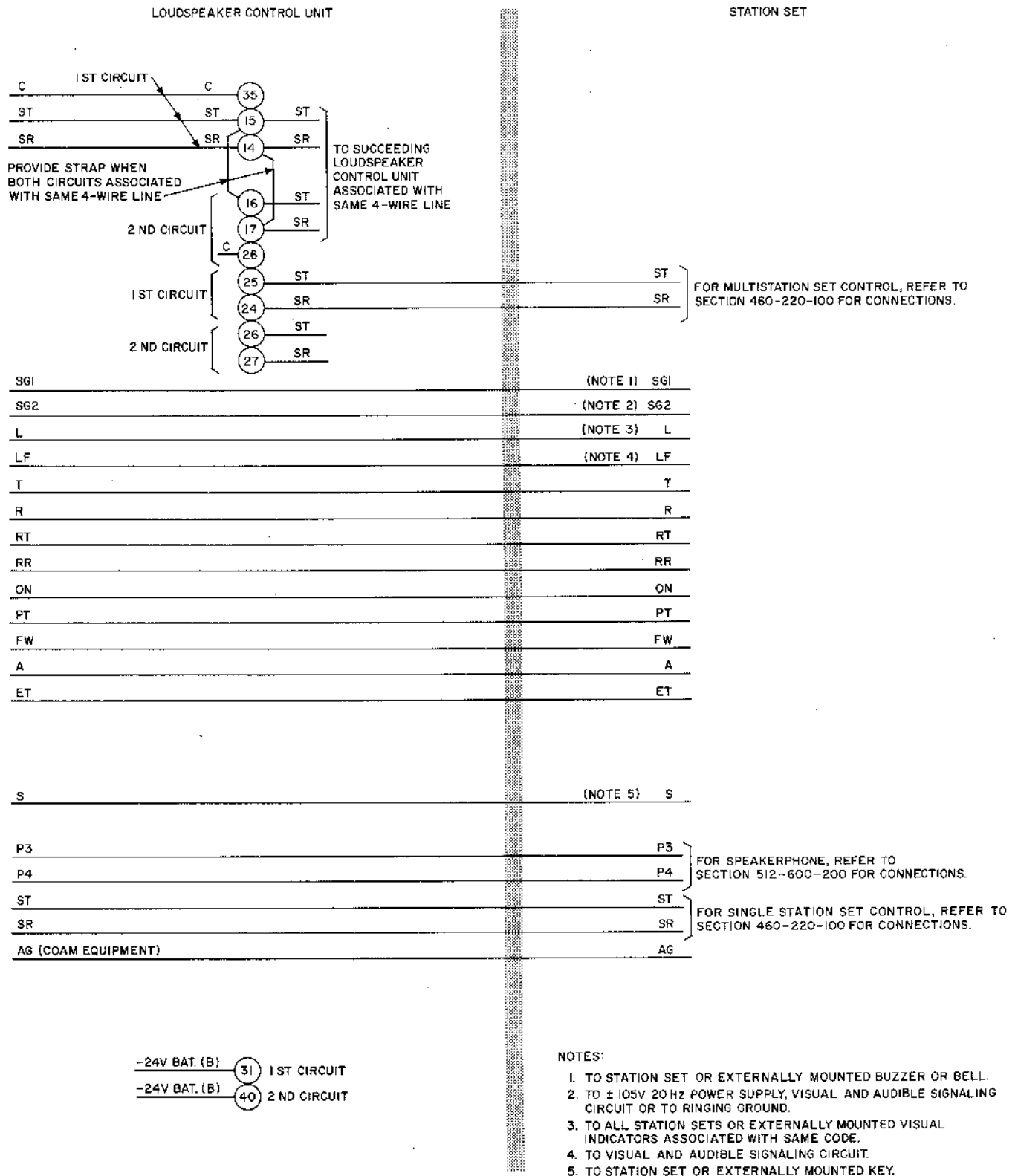


Fig. 2—Typical Connections for Two to Four Station Sets, Using SS-1A Selective Signaling System Without Privacy (Sheet 4 of 4)

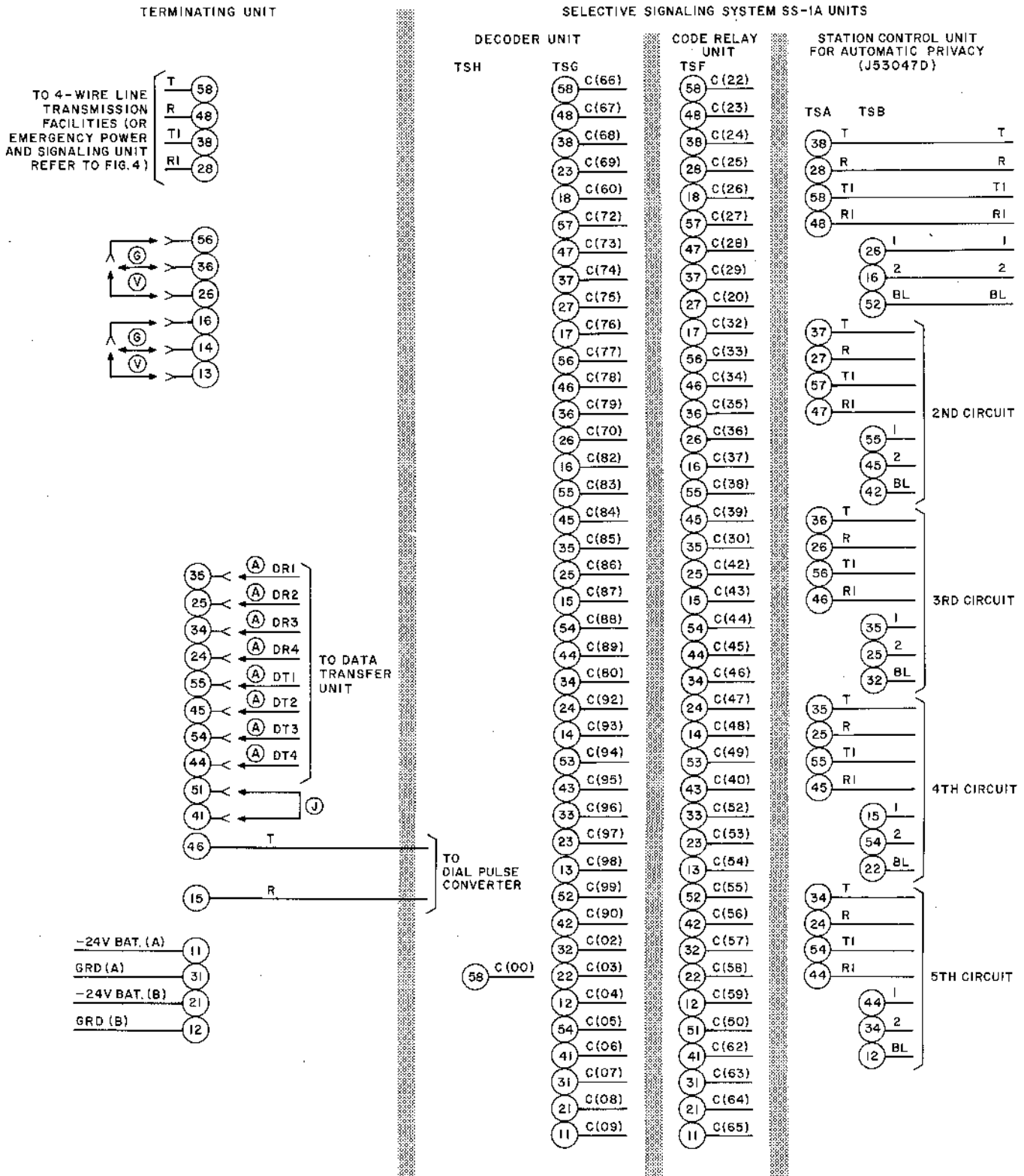


Fig. 3—Typical Connections for a 5-Line 4-Wire Station Set, Using SS-1A Selective Signaling System with Automatic or Manual Privacy and Data Service (Sheet 1 of 4)

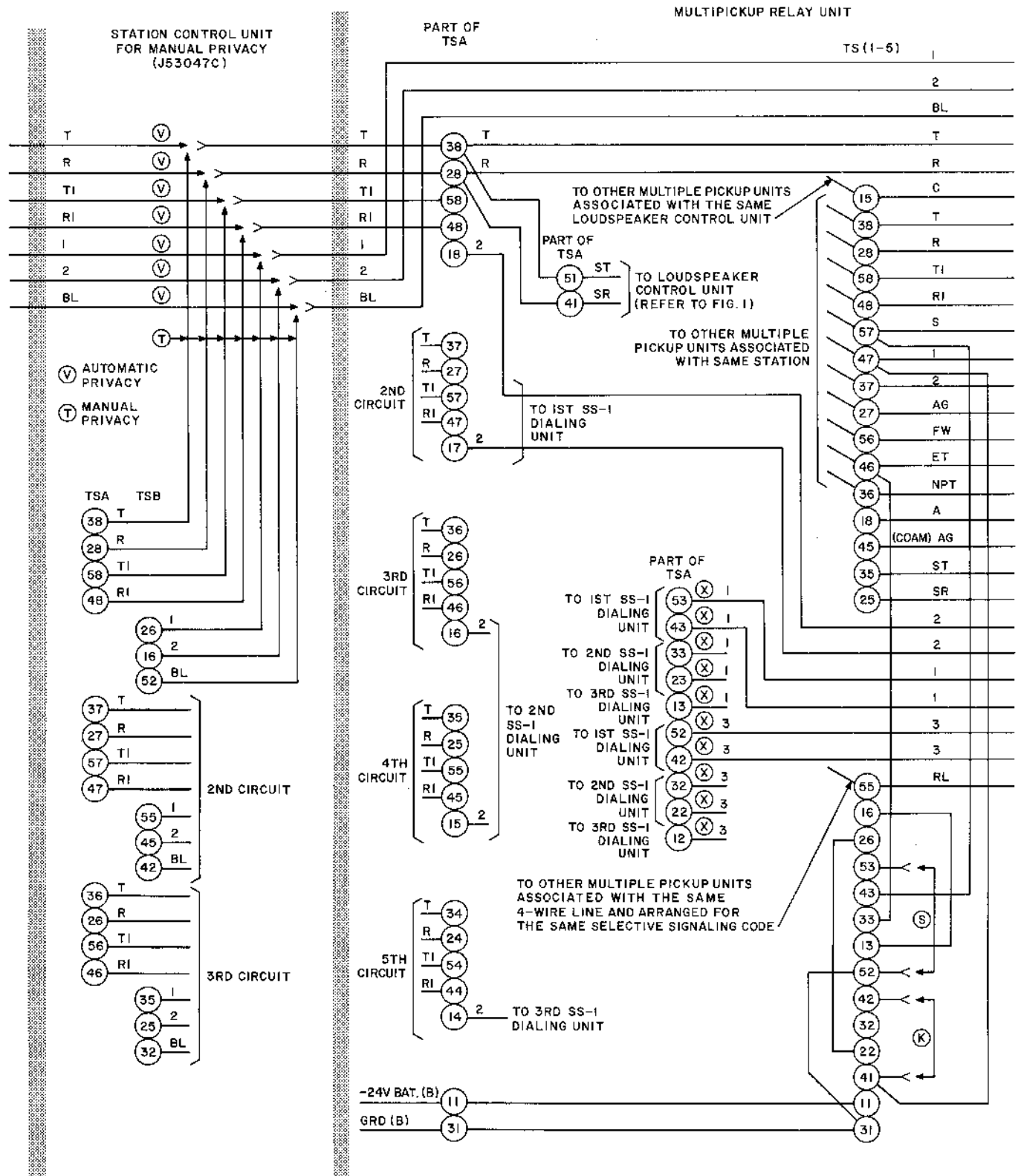


Fig. 3—Typical Connections for a 5-Line 4-Wire Station Set, Using SS-1A Selective Signaling System with Automatic or Manual Privacy and Data Service (Sheet 2 of 4)

SECTION 518-600-401

SS-1 DIALING UNIT

GROUP CODE UNIT

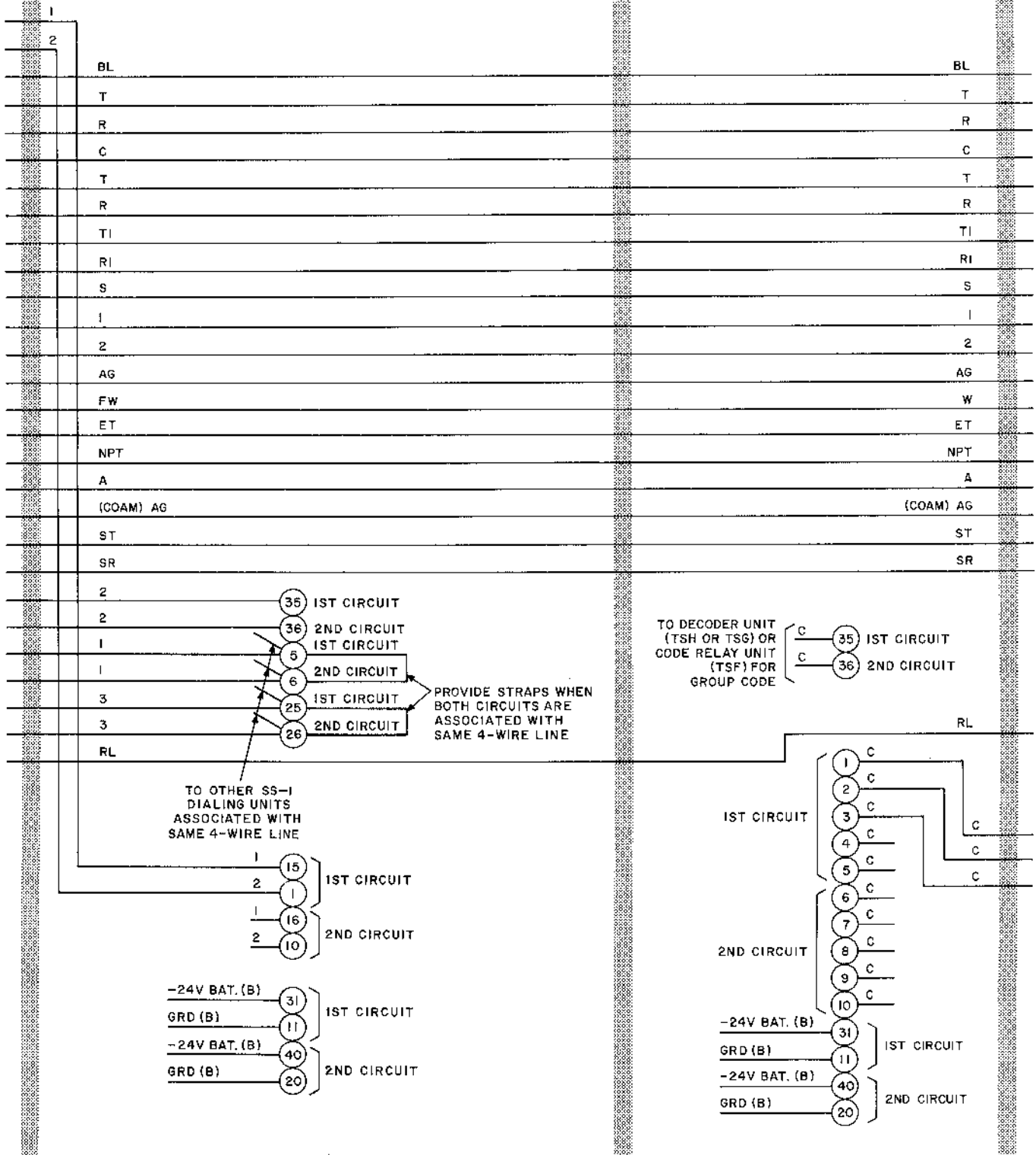


Fig. 3—Typical Connections for a 5-Line 4-Wire Station Set, Using SS-1A Selective Signaling System with Automatic or Manual Privacy and Data Service (Sheet 3 of 4)

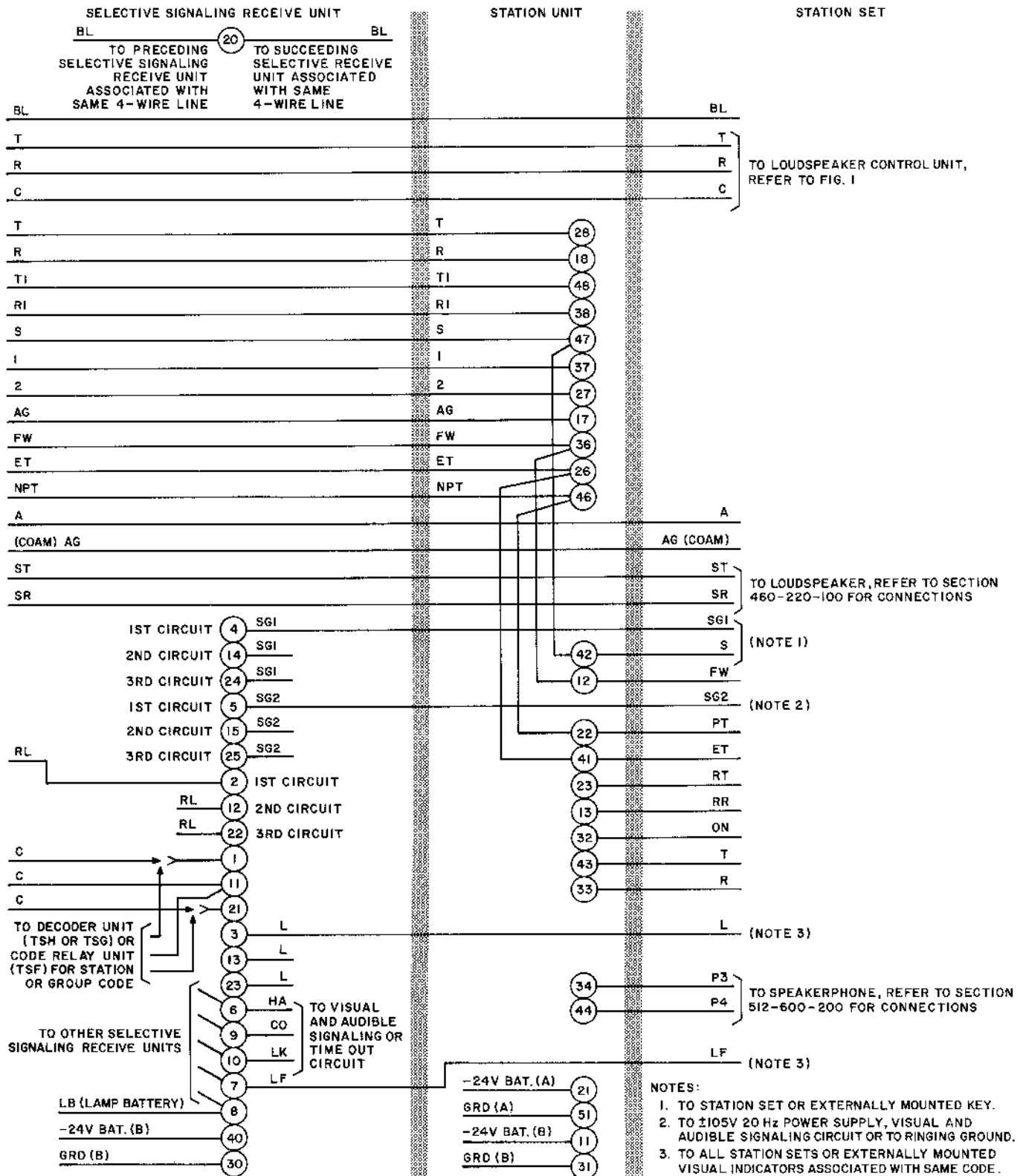
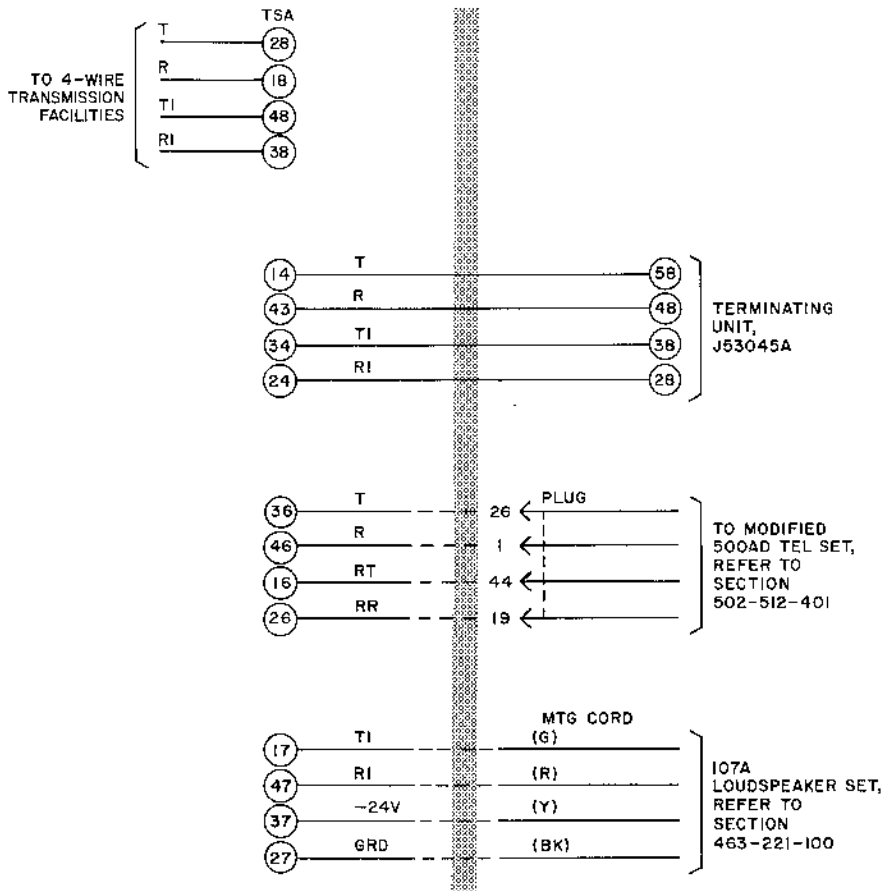


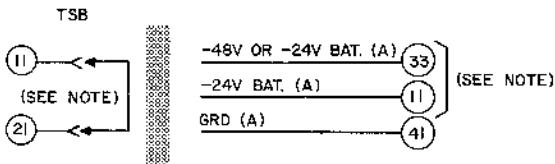
Fig. 3—Typical Connections for a 5-Line 4-Wire Station Set, Using SS-1A Selective Signaling System with Automatic or Manual Privacy and Data Service (Sheet 4 of 4)

SECTION 518-600-401



CONNECTIONS FOR MODIFICATION OF 500AD TELEPHONE SET TO BE USED WITH EMERGENCY POWER TALKING AND SIGNALING UNIT

OPTION	FEATURE	WIRE OR LEAD	REMOVE FROM TERM.	CONNECT TO TERM.
PUSH-TO-TALK NOT REQUIRED (ZE)	G3AR HANDSET	(BK)	B	C
PUSH-TO-TALK REQUIRED (ZD)	G3AR HANDSET (REMOVE)	(W) (W) (R) (BK)	9 10 R B	
	G5KR HANDSET (REPLACE)	(W) (W) (R) (R) (BK) (BK)		9 10 R B B 7



NOTE:
 FOR -48V BATTERY, CONNECT TSA 33 TO BATTERY.
 FOR -24V BATTERY, STRAP TSB 11 TO TSB 21 AND CONNECT BATTERY TO TSA 33, OR CONNECT -24V BATTERY TO TSA 11 WITHOUT STRAPPING TSB 11 TO TSB 21.

Fig. 4—Emergency Power Talking and Signaling Unit, Connections Arranged for 4-Wire Private Line