

SEMI-AUTOMATIC TAPE RELAY SYSTEM  
BELLFAST  
OUTLYING STATION  
SEQUENCE CHARTS  
BASED ON WA 12773-SD, ISSUE 8

PLAN 11 & 41 (SINGLE) SPL PLANS 20, 22, 46, 47	OPTION	CHART NO.
CONNECT STATION		1
AUTOMATIC STATION SENDING		3
STATION OFF FEATURE		6
BREAK FEATURE		7
TAUT TAPE STP ALARM		10
KEYBOARD FEATURE	AA	12
PRIORITY START FEATURE	BB	15
TYPE 1 AUXILIARY SEND	FF	17
TYPE 2 AUXILIARY SEND	FF	18
REMOTE RESTORATION OF STP ALARM	HH	21
REMOTE RESTORATION OF STA-OFF	II	22
AUTOMATIC TAPE FEED OUT	DD	23
MANUAL TAPE FEED OUT	EE	24
SUB PLANS		25
PLANS 12-13-14 & 42-43-44 (DUPLEX) SPL PLANS 19, 21, 45, 47		
CONNECT STATION		2
AUTOMATIC STATION SENDING		4
CODE RECD. (STATION SENDING)		5
STATION OFF FEATURE		6
BREAK FEATURE		8
EMERGENCY STOP FEATURE		9
TAUT TAPE STP ALARM		11
KEYBOARD FEATURE	AA	13 (PLANS 12-13-42-43)
KEYBOARD FEATURE	AA	14 (PLAN 14 & 44)
PRIORITY START FEATURE	BB	16
AUXILIARY SEND FEATURE	FF	19 (PLANS 12-13-42-43)
AUXILIARY SEND FEATURE	FF	20 (PLAN 14, & 44)
REMOTE RESTORATION OF STP ALARM	HH	21
REMOTE RESTORATION OF STA-OFF	II	22
AUTOMATIC TAPE FEED OUT	DD	23
MANUAL TAPE FEED OUT	EE	24
SUB PLANS		25

**SECTION P.70.909.20**  
**Sequence Charts**

**SPECIAL PLANS 16 & 17 (SINGLE)**

**CONNECT STATION**  
**CONNECT STATION**  
**AUTOMATIC STATION SENDING**  
**STATION OFF FEATURE**  
**BREAK FEATURE**  
**TAUT TAPE FEATURE**

**CHART NO.**

**26 (PLAN 16)**  
**28 (PLAN 17)**  
**30**  
**33**  
**34**  
**36**

**SPECIAL PLANS 15 & 18 (DUPLEX)**

**CONNECT STATION**  
**CONNECT STATION**  
**AUTOMATIC STATION SENDING**  
**CODE RECD WHILE STATION SENDING**  
**STATION OFF FEATURE**  
**BREAK FEATURE**  
**TAUT TAPE ALARM**  
**EMERGENCY STOP FEATURE**

**27 (PLAN 15)**  
**29 (PLAN 18)**  
**31**  
**32**  
**33**  
**35**  
**37**  
**38**

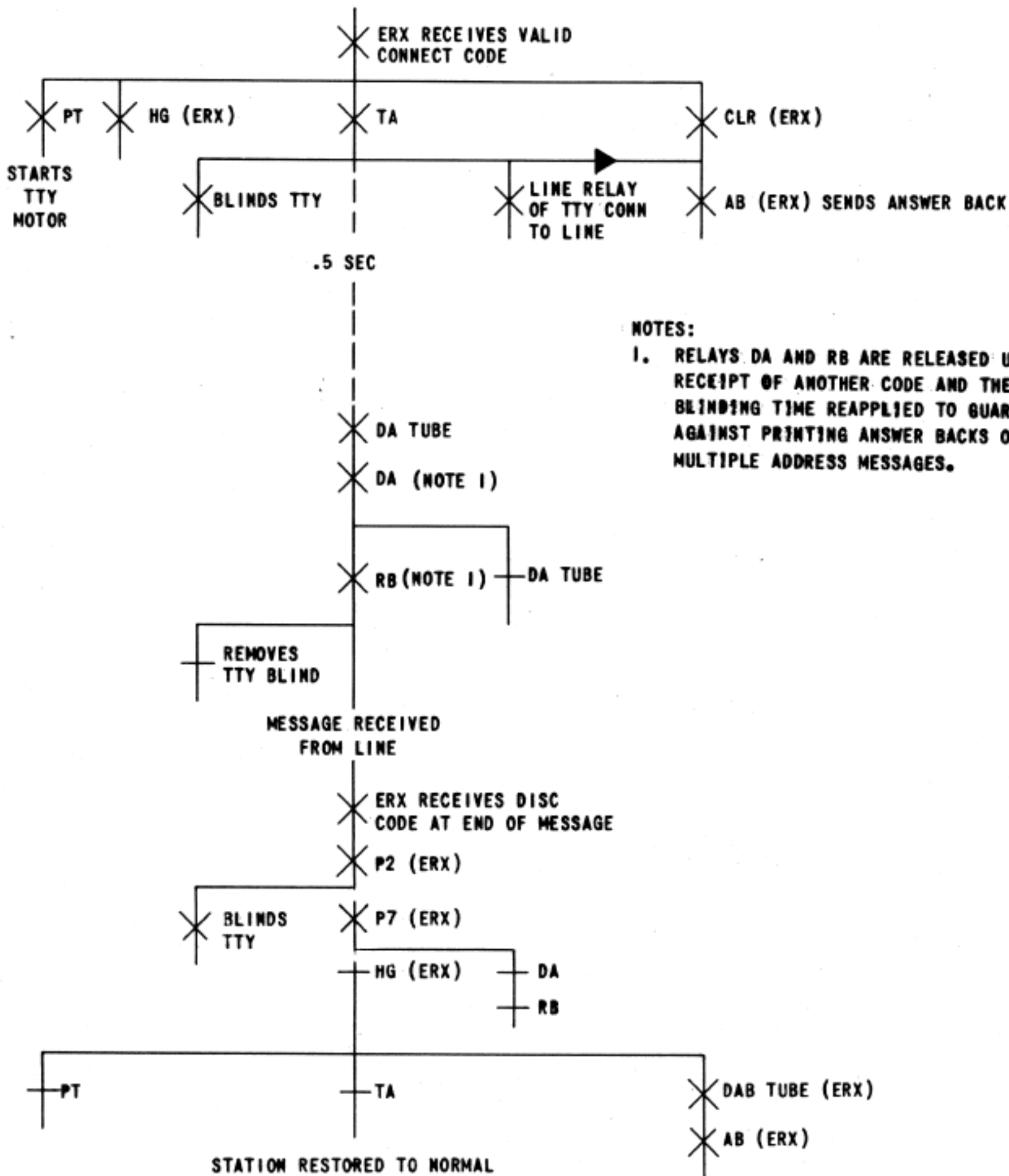
**SYMBOLS**

**(ERX) INDICATES THAT RELAY IS PART OF THE ERX RECEIVER; ALSO ALL RELAYS IN THE ERX ARE NOT SHOWN (ONLY THOSE DIRECTLY INVOLVING THE OUTLYING STATION CONTROL CIRCUIT).**

CONNECT STATION

PLANS 11, 20, 22, 41, 46 & 47

SECTION P.70.909.20  
Sequence Charts  
Chart 1



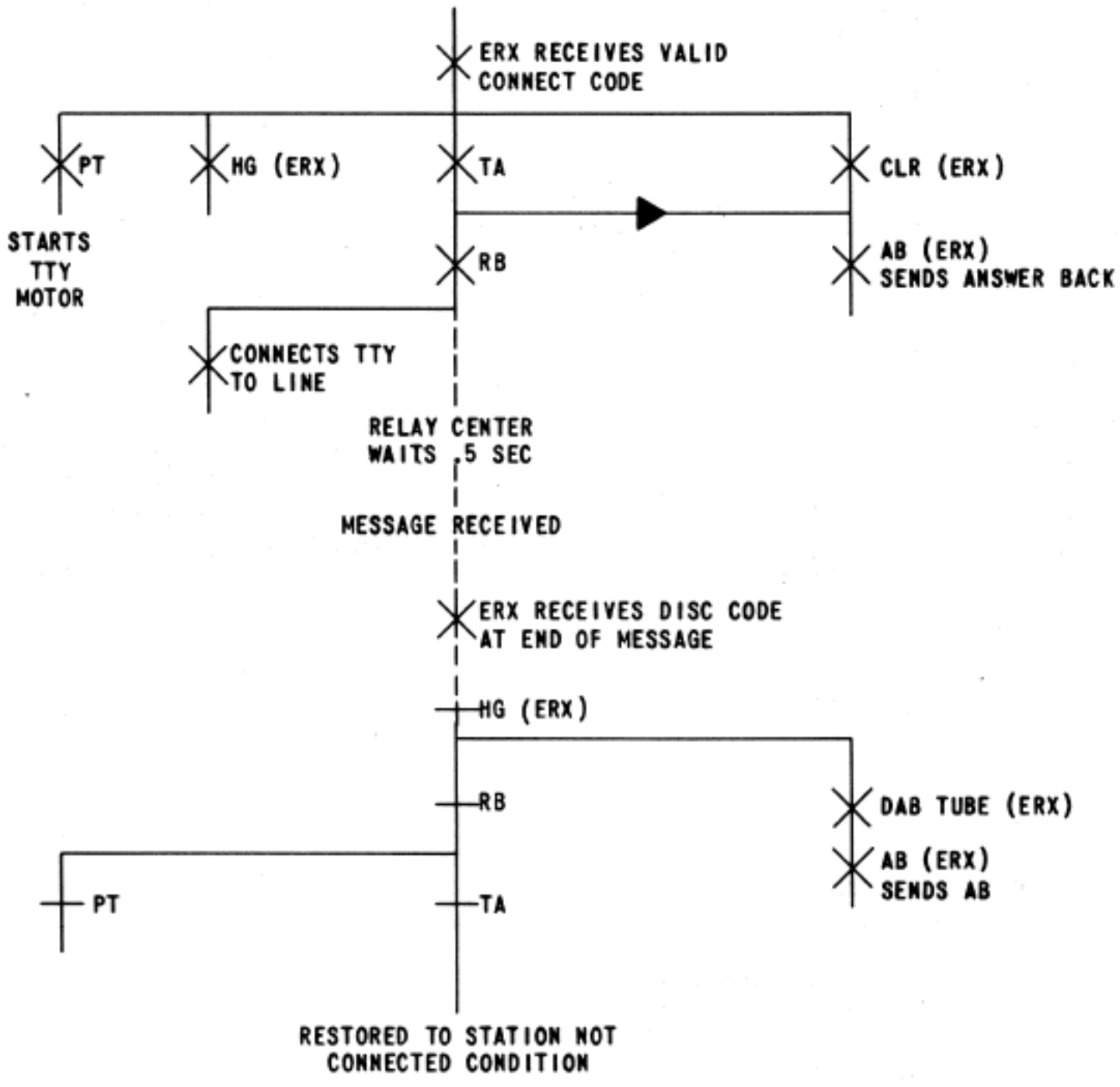
NOTES:

- RELAYS DA AND RB ARE RELEASED UPON RECEIPT OF ANOTHER CODE AND THE .5 SEC BLINDING TIME REAPPLIED TO GUARD AGAINST PRINTING ANSWER BACKS ON MULTIPLE ADDRESS MESSAGES.

CONNECT STATION

SECTION P.70.909.20  
Sequence Charts  
Chart 2

PLANS 12,13,14,19,21,42,  
43,44,45 & 47





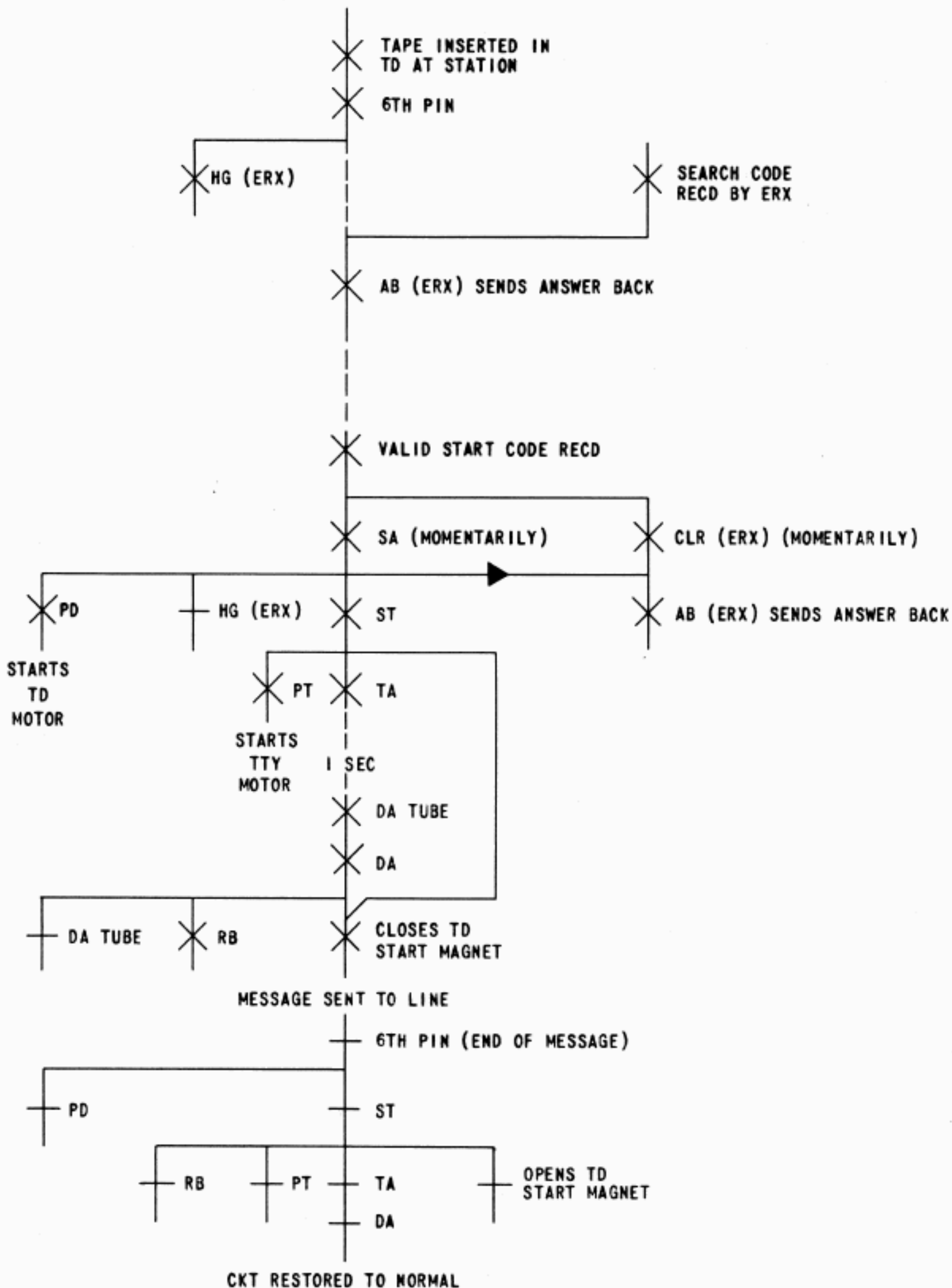
AUTOMATIC STATION SENDING

PLANS 11,20,22,41,46 & 47

SECTION P.70.909.20

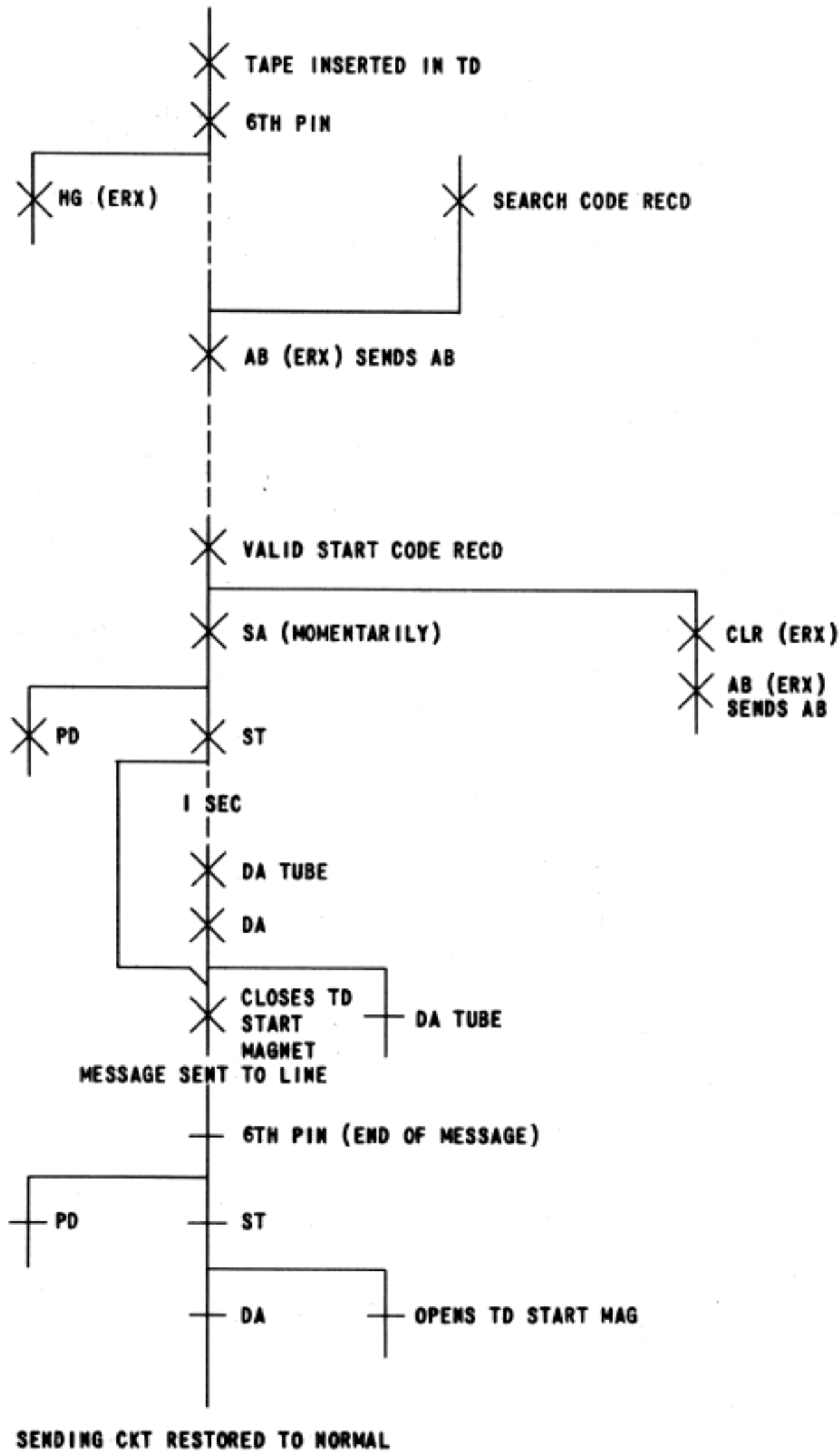
Sequence Charts

Chart 3



SECTION P.70.909.20  
 Sequence Charts  
 Chart 4

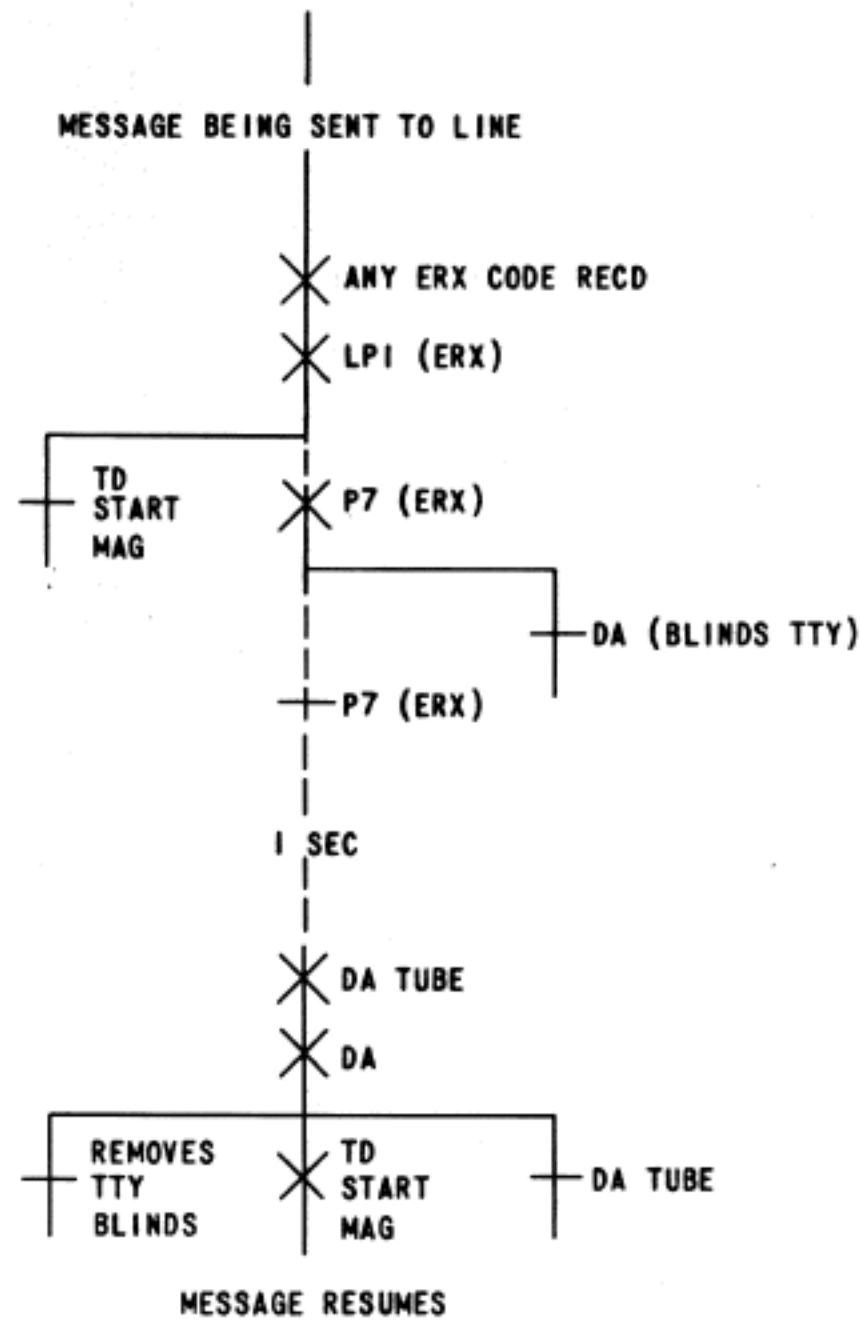
AUTOMATIC STATION SENDING  
 PLANS 12,13,14,19,21,42,43,  
 44,45 & 47



CODE RECEIVED (STATION SENDING)

PLANS 12,13,14,19,21,42,43,44,  
45 & 47

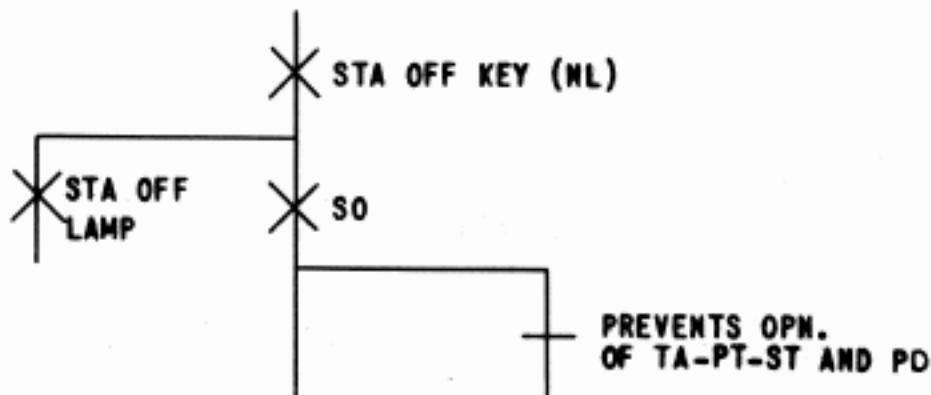
SECTION P.70.909.20  
Sequence Charts  
Chart 5



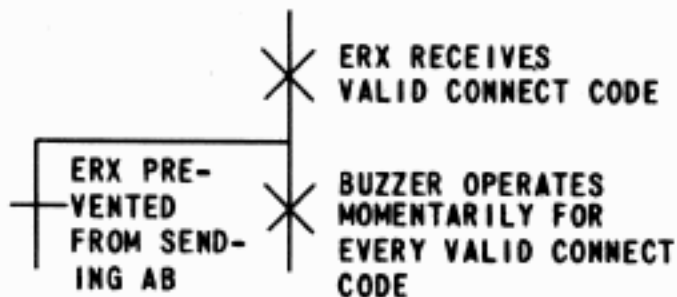
# STATION OFF FEATURE

## ALL PLANS

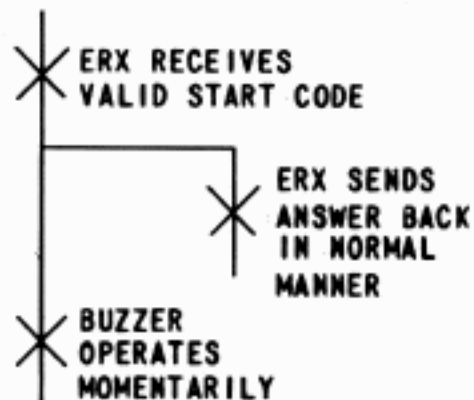
SECTION P.70.909.20  
Sequence Charts  
Chart 6



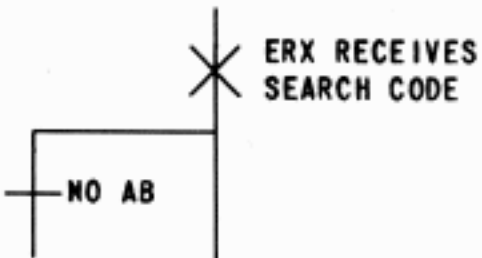
### STATION CONNECT CODE DURING STATION OFF PERIOD



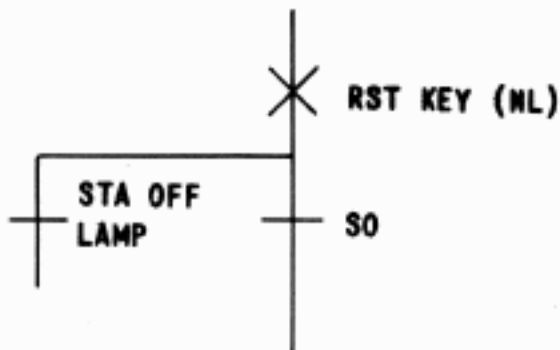
### START CODE DURING STATION OFF PERIOD



### SEARCH CODE DURING STATION OFF PERIOD



### STATION RESTORED AFTER STATION OFF PERIOD

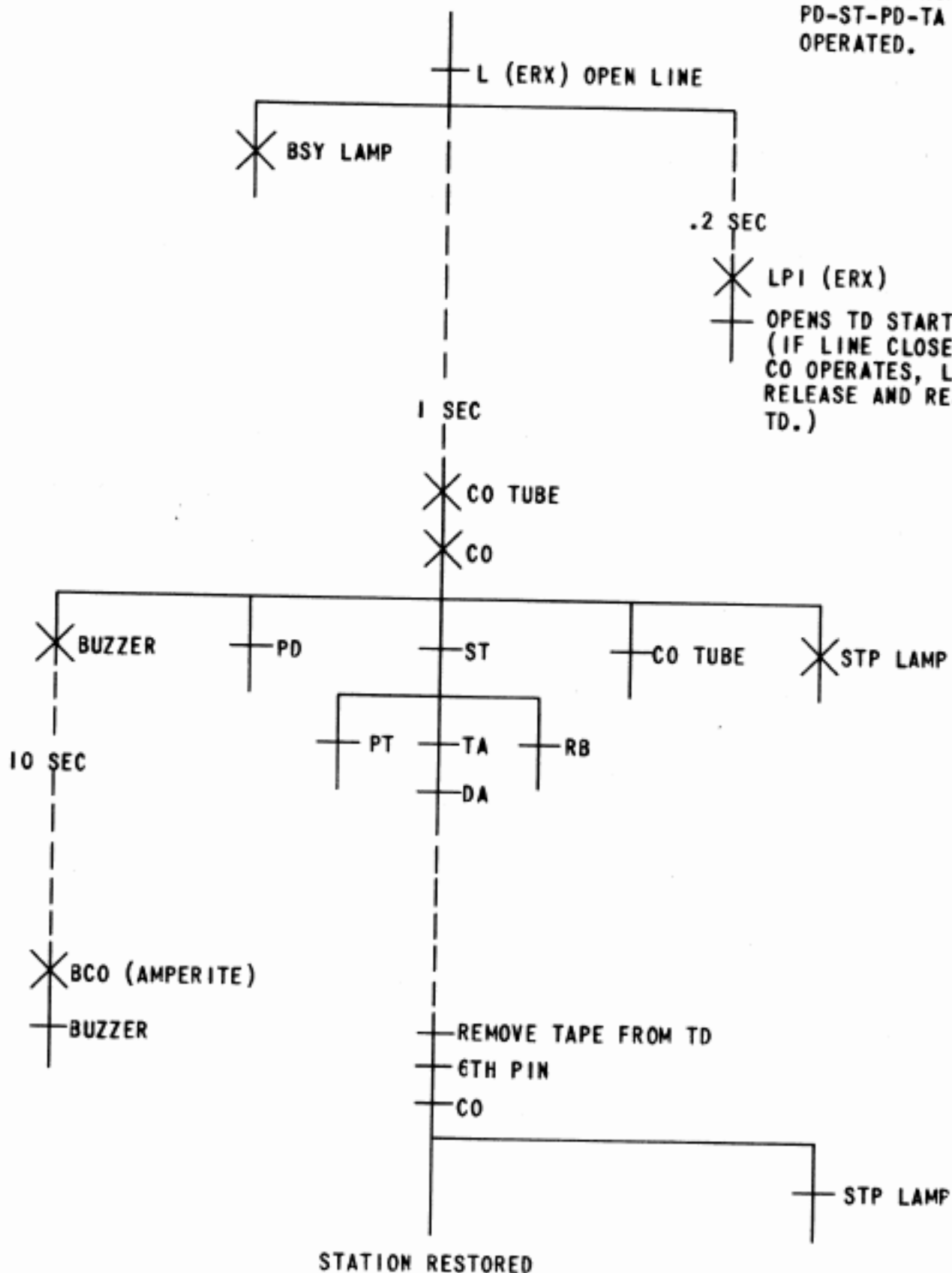


CKT RESTORED TO NORMAL

BREAK FEATURE  
 PLANS 11, 20, 22, 41, 46 & 47

SECTION P.70.909.20  
 Sequence Charts  
 Chart 7

NOTE: BK ALARM ACTIVATED ONLY  
 WHEN STATION IS TRANS-  
 MITTING FROM T-D. RELAYS  
 PD-ST-PD-TA RB AND DA  
 OPERATED.



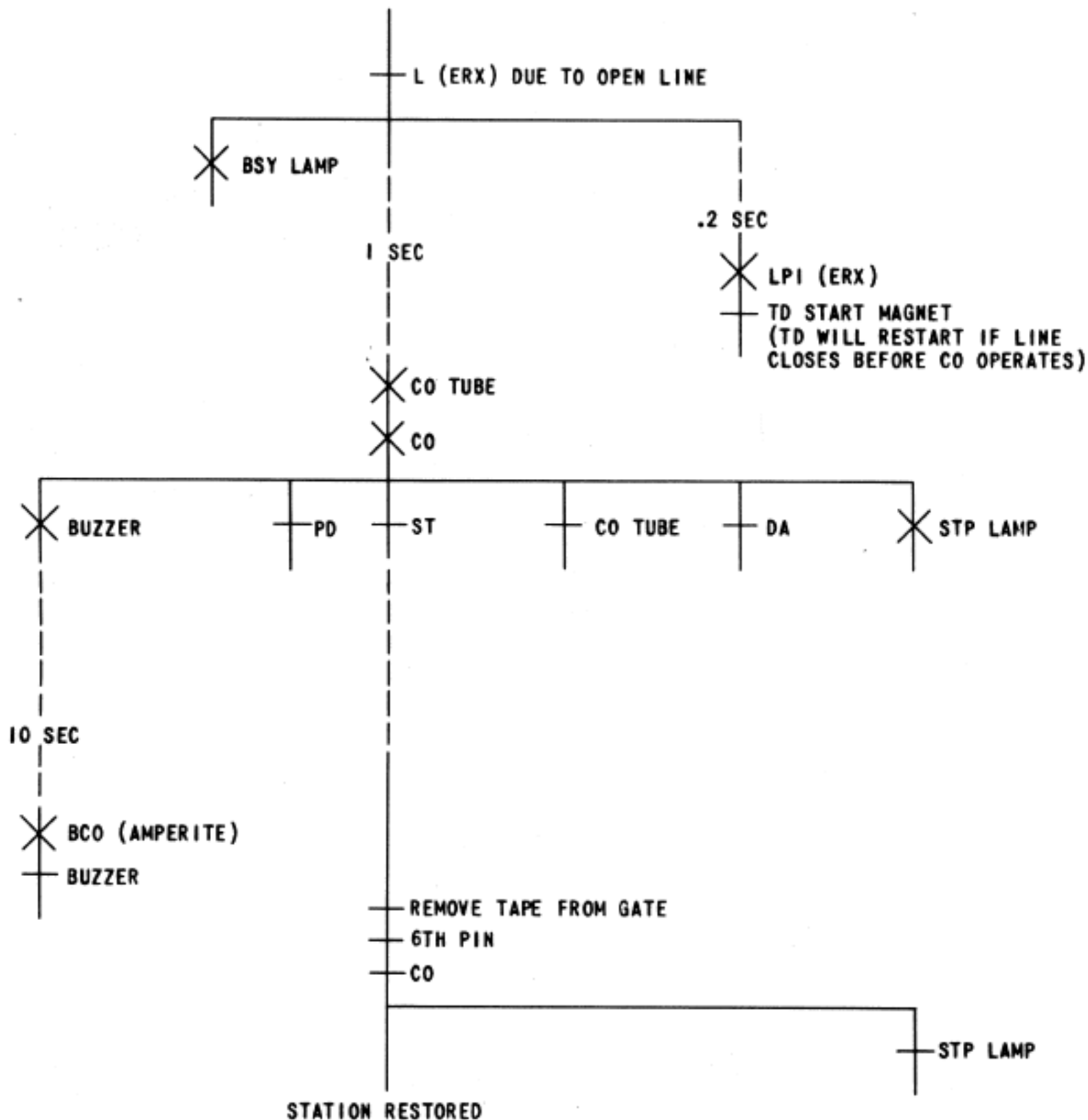
BSY LAMP WILL LIGHT STEADILY TILL  
 LINE CLOSES. THE TAPE SHOULD BE  
 REINSERTED IN TD TO BE RESTARTED  
 ON NEXT START CODE.

BREAK FEATURE

SECTION P.70.909.20  
Sequence Charts  
Chart 8

PLANS 12,13,14,19,21,42,43,  
44,45 & 47

NOTE: ALARM ACTIVATED ON OPEN  
LINE ONLY WHEN STATION  
TRANSMITTING FROM T-D  
RELAYS PD-ST-DA OPERATED.

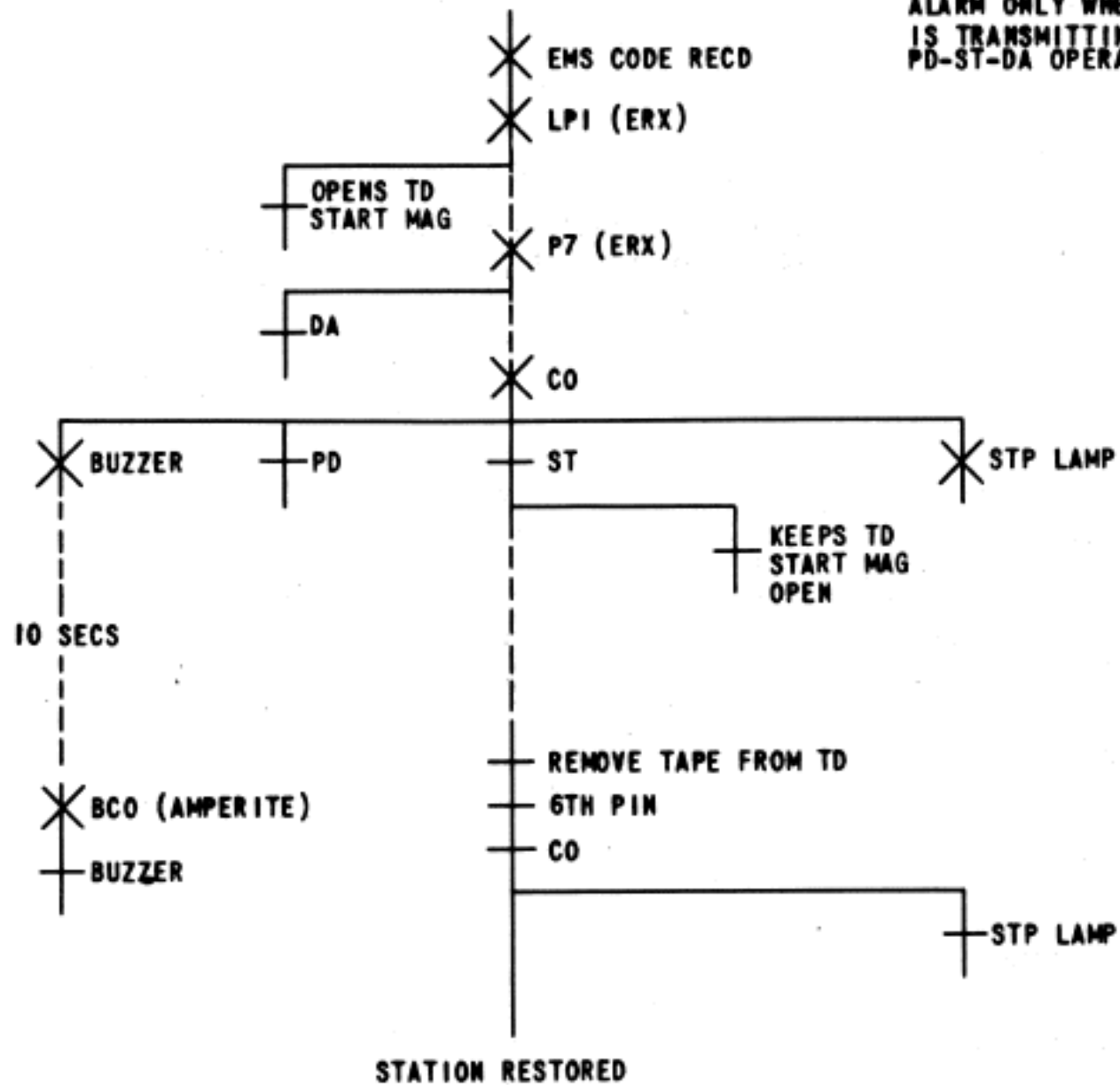


NOTE: NORMALLY TAPE WILL BE REINSERTED IN GATE  
AND WILL BE RESTARTED ON NEXT VALID START  
CODE.

**EMERGENCY STOP FEATURE**  
**PLANS 12,13,14,19,21,42,43,**  
**44,45 & 47**

SECTION P.70.909.20  
 Sequence Charts  
 Chart 9

**NOTE: EMS CODE ACTIVATES  
 ALARM ONLY WHEN STATION  
 IS TRANSMITTING, RELAYS  
 PD-ST-DA OPERATED.**

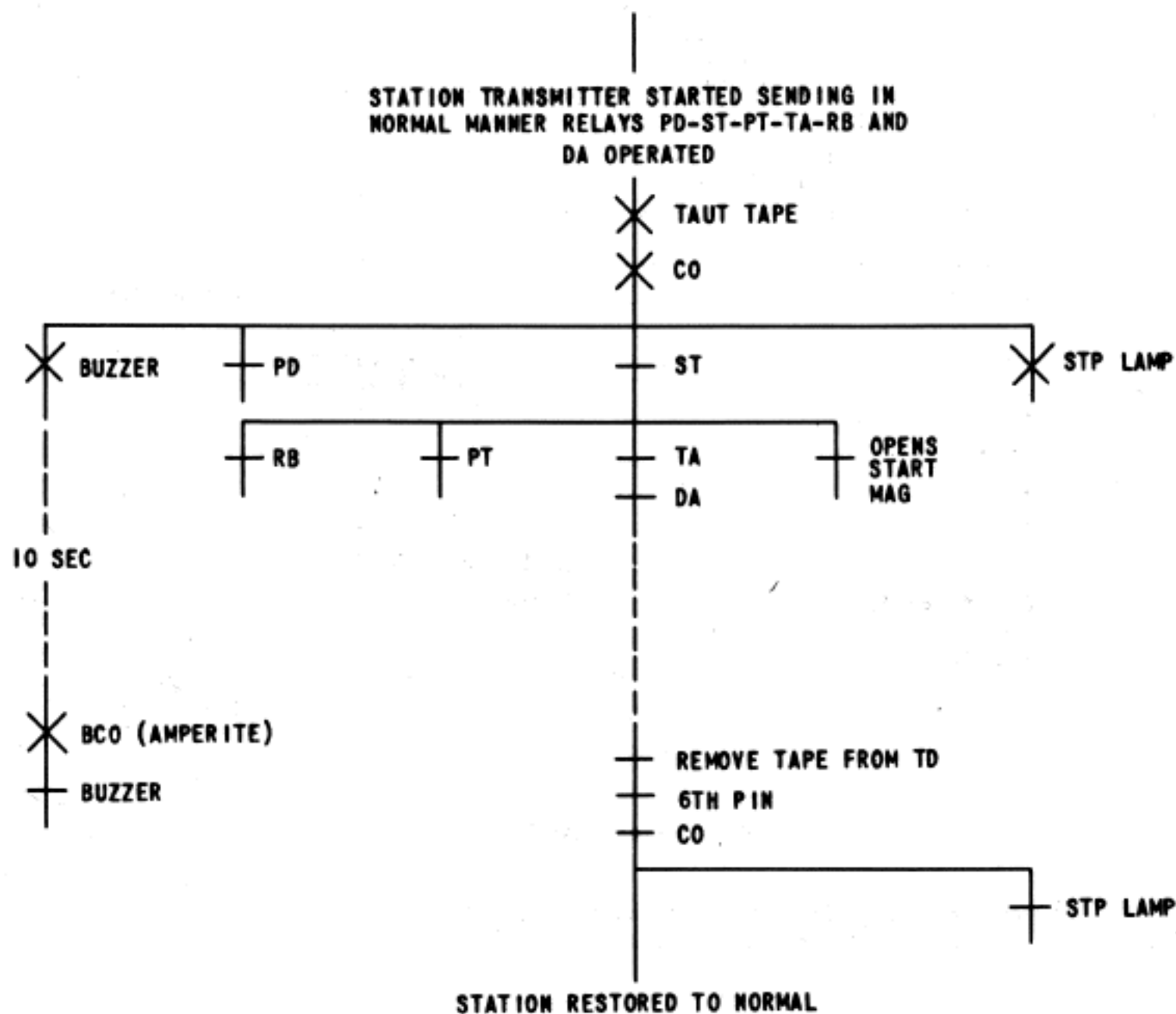


**NOTE: NORMALLY TAPE WOULD BE REINSERTED IN TD  
 AND BE RESTARTED ON NEXT START CODE.**

# TAUT TAPE ALARM

PLANS 11, 20, 22, 41, 46 & 47

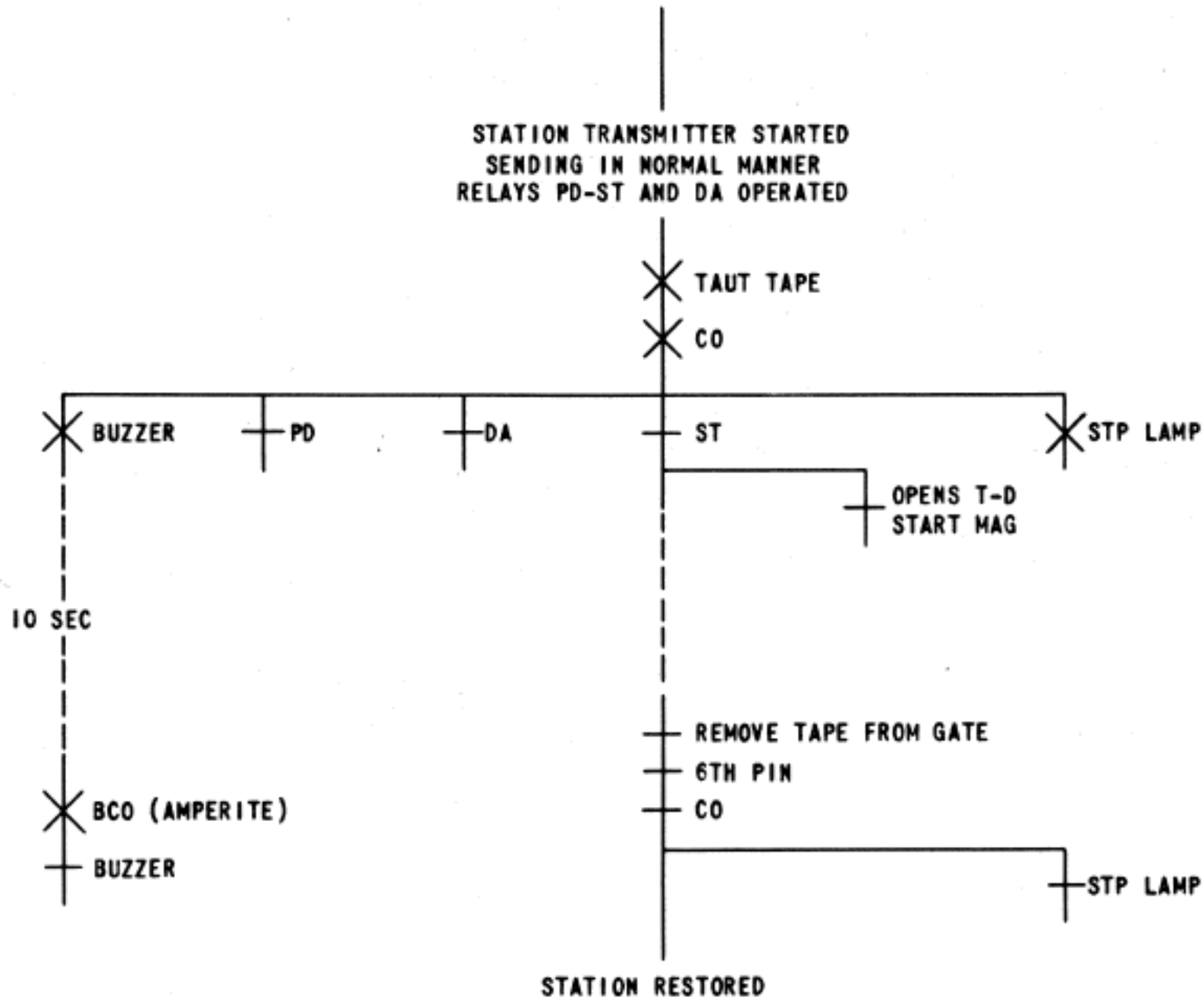
SECTION P.70.909.20  
Sequence Charts  
Chart 10





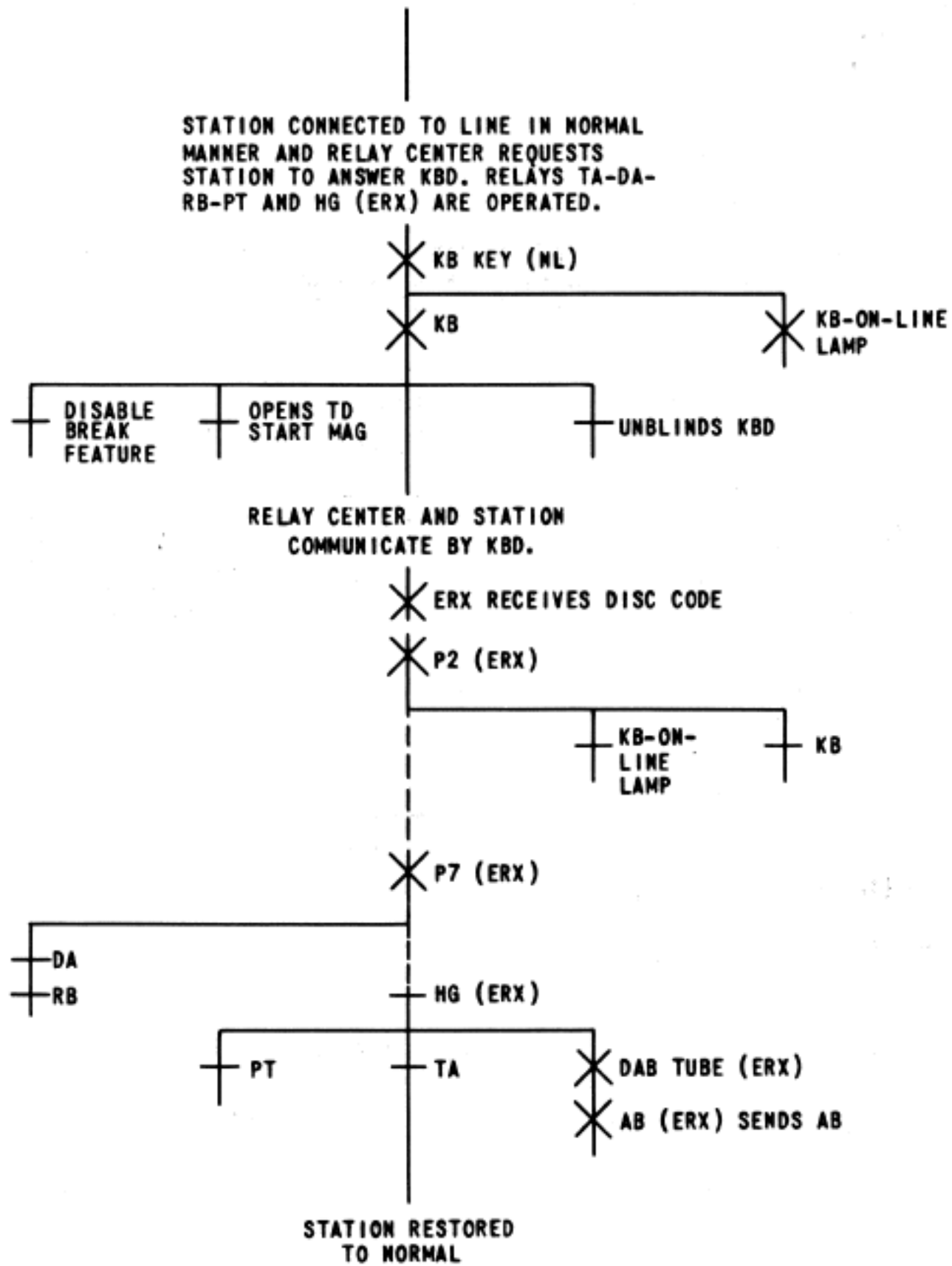
TAUT TAPE ALARM  
PLANS 12,13,14,19,21,42,43,  
44,45 & 47

SECTION P.70.909.20  
Sequence Charts  
Chart 11



KEYBOARD OPTION AA  
 PLANS 11, 20, 22, 41, 46 & 47

SECTION P.70.909.20  
 Sequence Charts  
 Chart 12



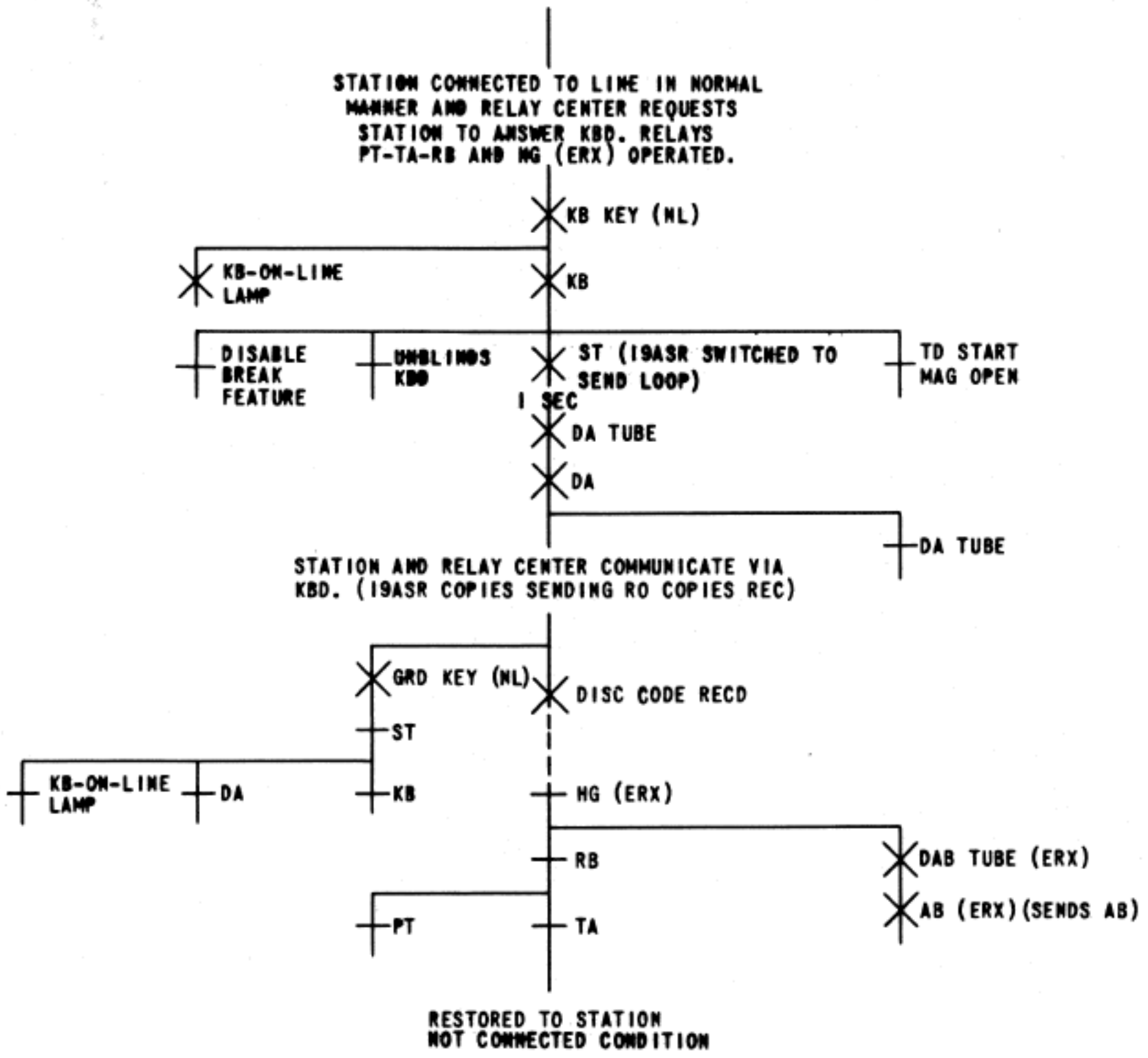
KEYBOARD OPTION AA

PLANS 12,13,42 & 43

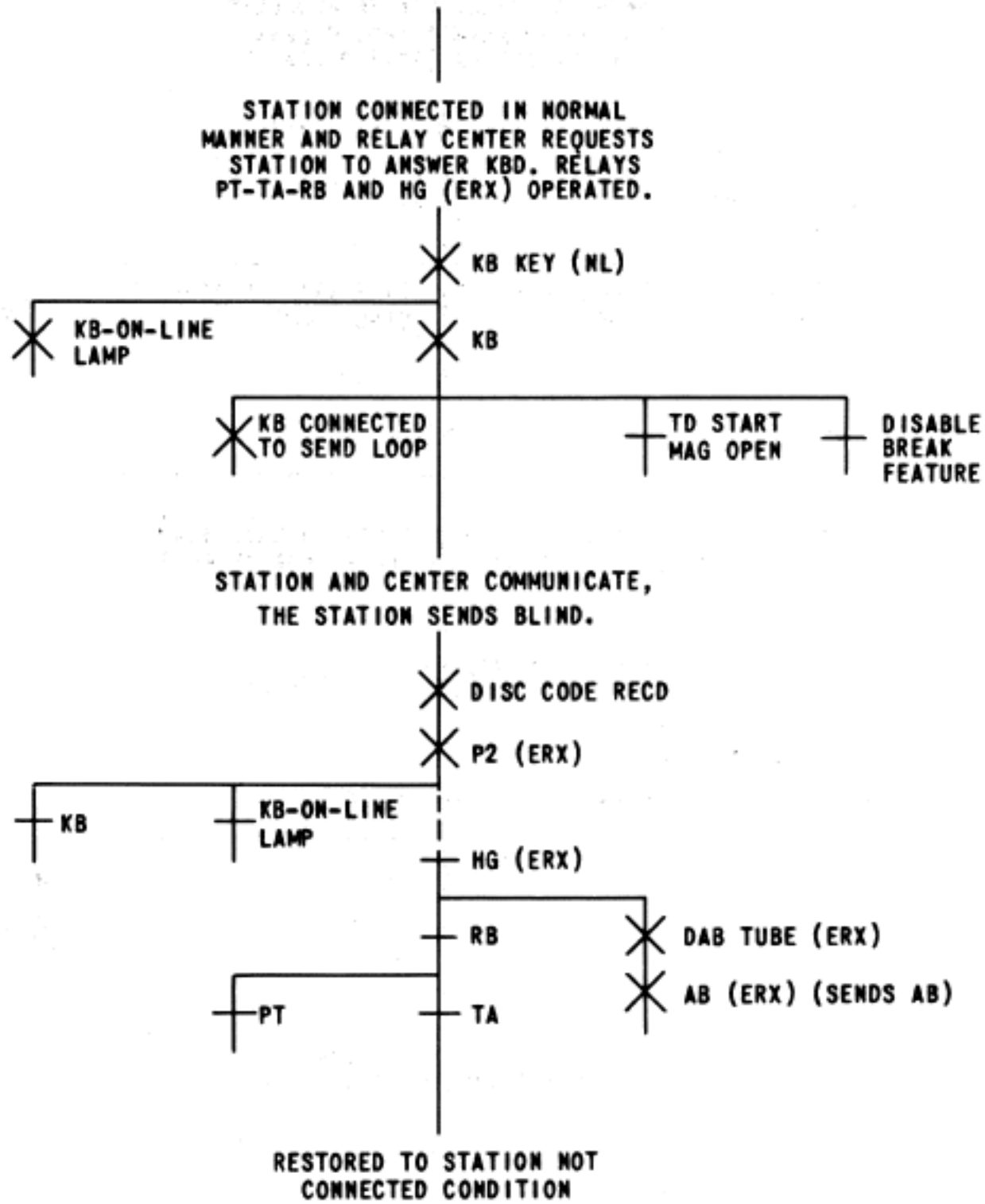
SECTION P.70.909.20

Sequence Charts

Chart 13



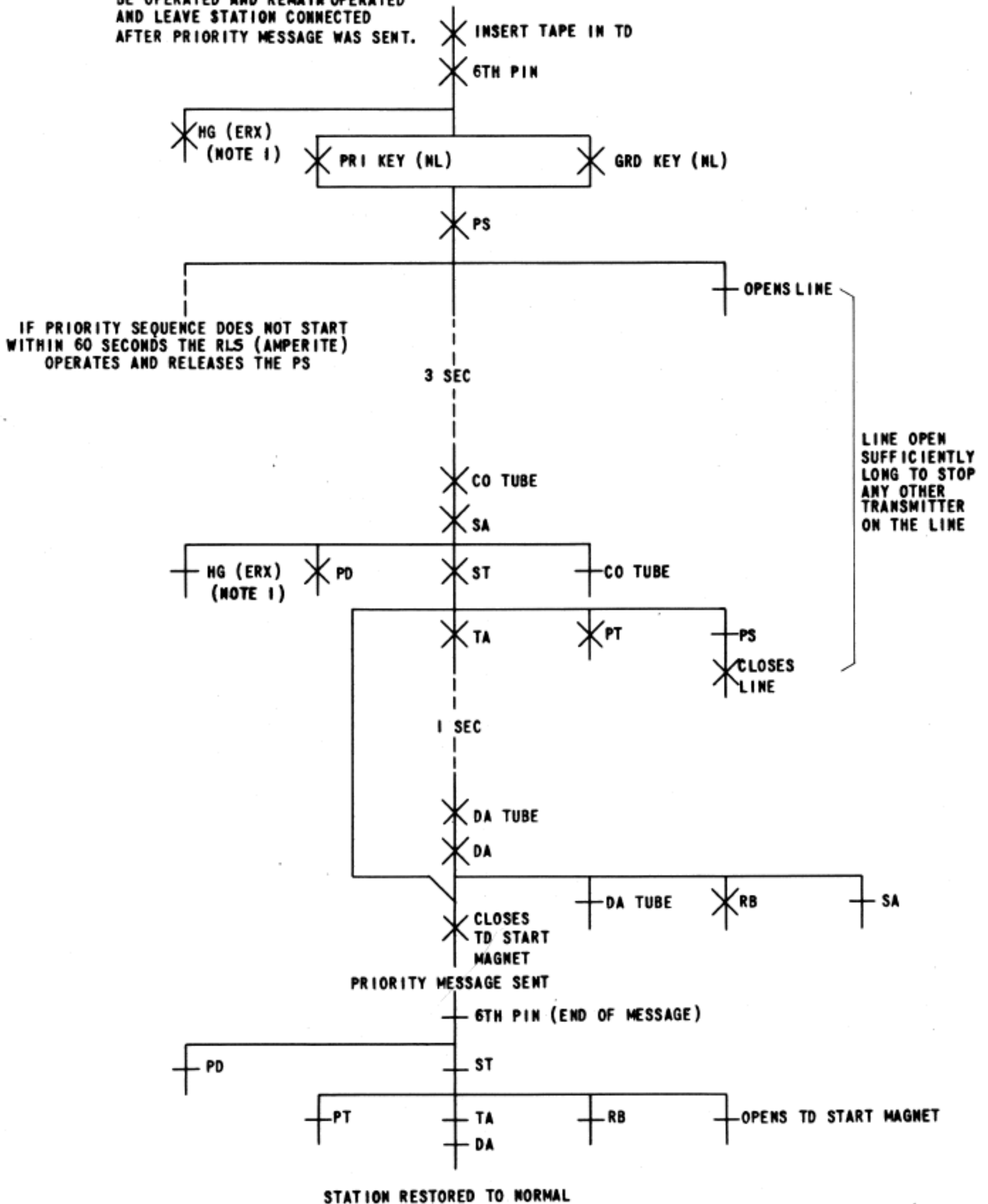
KEYBOARD OPTION AA  
 PLANS 14 & 44



PRIORITY START FEATURE OPTION BB  
 PLANS 11,20,22,41,46 & 47

SECTION P.70.909.20  
 Sequence Charts  
 Chart 15

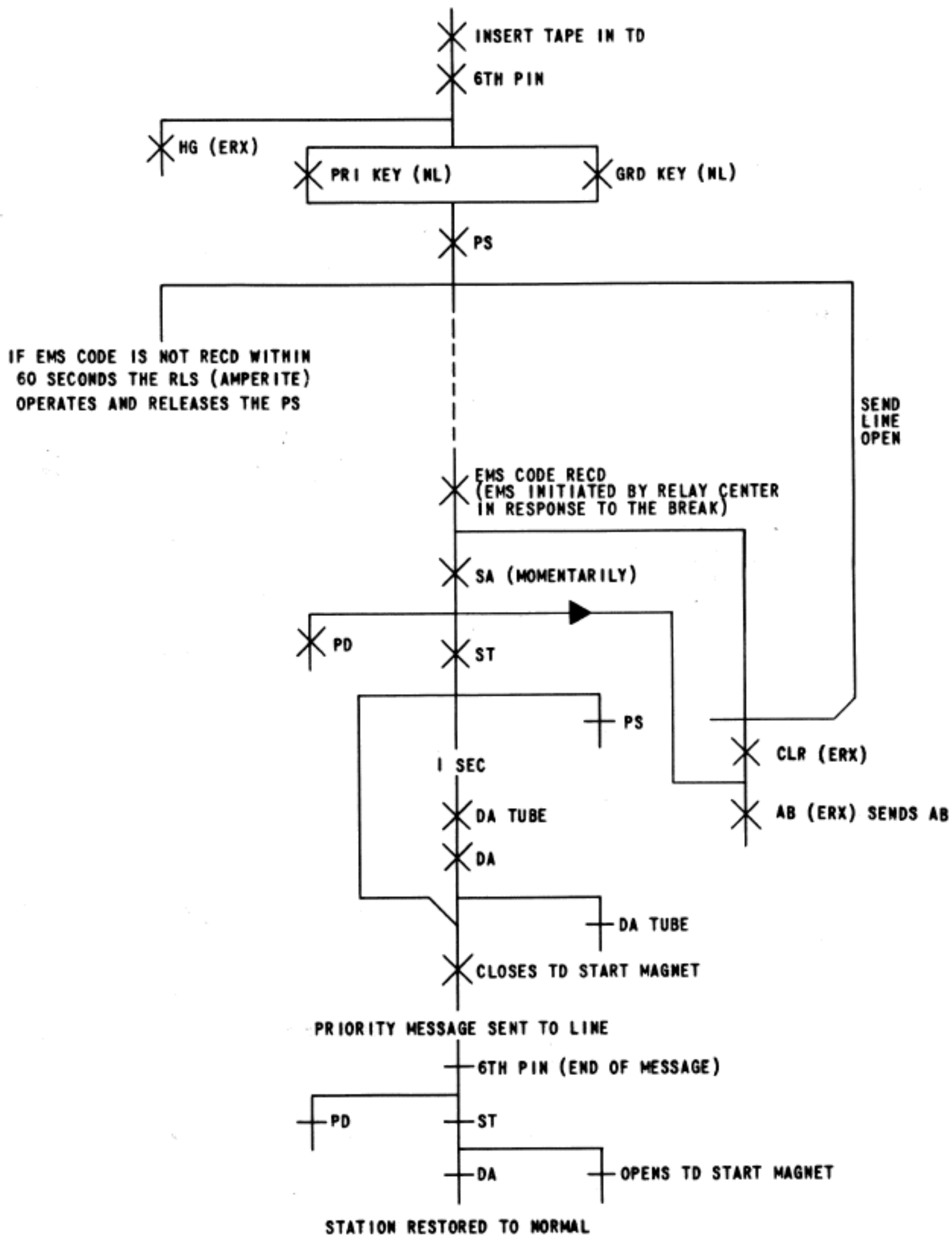
NOTE: 1. IF STATION WAS CONNECTED  
 AT TIME THE PRIORITY MESSAGE  
 WAS INITIATED THE HG WOULD  
 BE OPERATED AND REMAIN OPERATED  
 AND LEAVE STATION CONNECTED  
 AFTER PRIORITY MESSAGE WAS SENT.



PRIORITY START FEATURE OPTION BB

SECTION P.70.909.20  
Sequence Charts  
Chart 16

PLANS 12,13,14,19,21,42,43,  
44,45 & 47



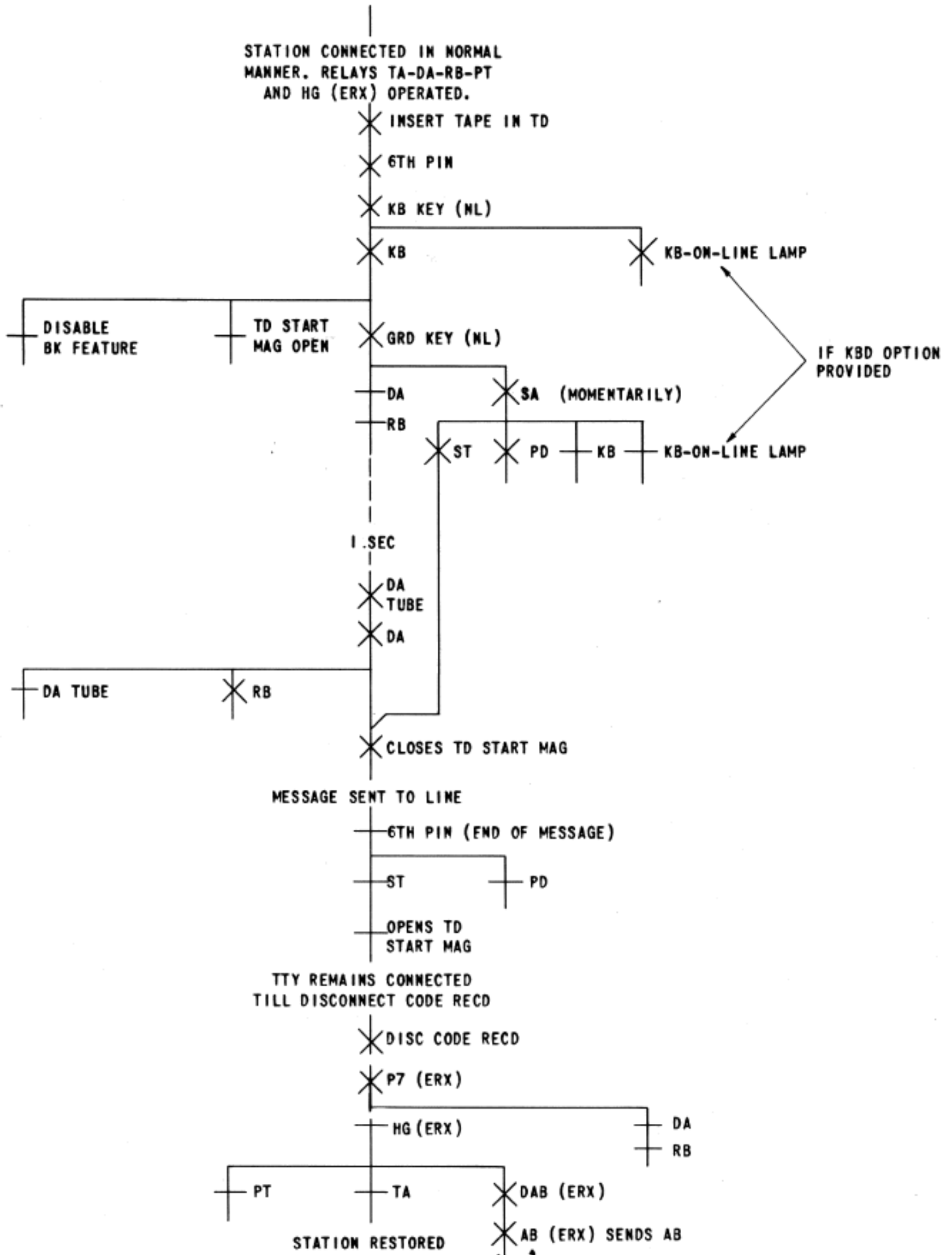
TYPE I AUXILIARY SEND FEATURE OPTION FF

PLANS 11 & 41

SECTION P.70.909.20

Sequence Charts

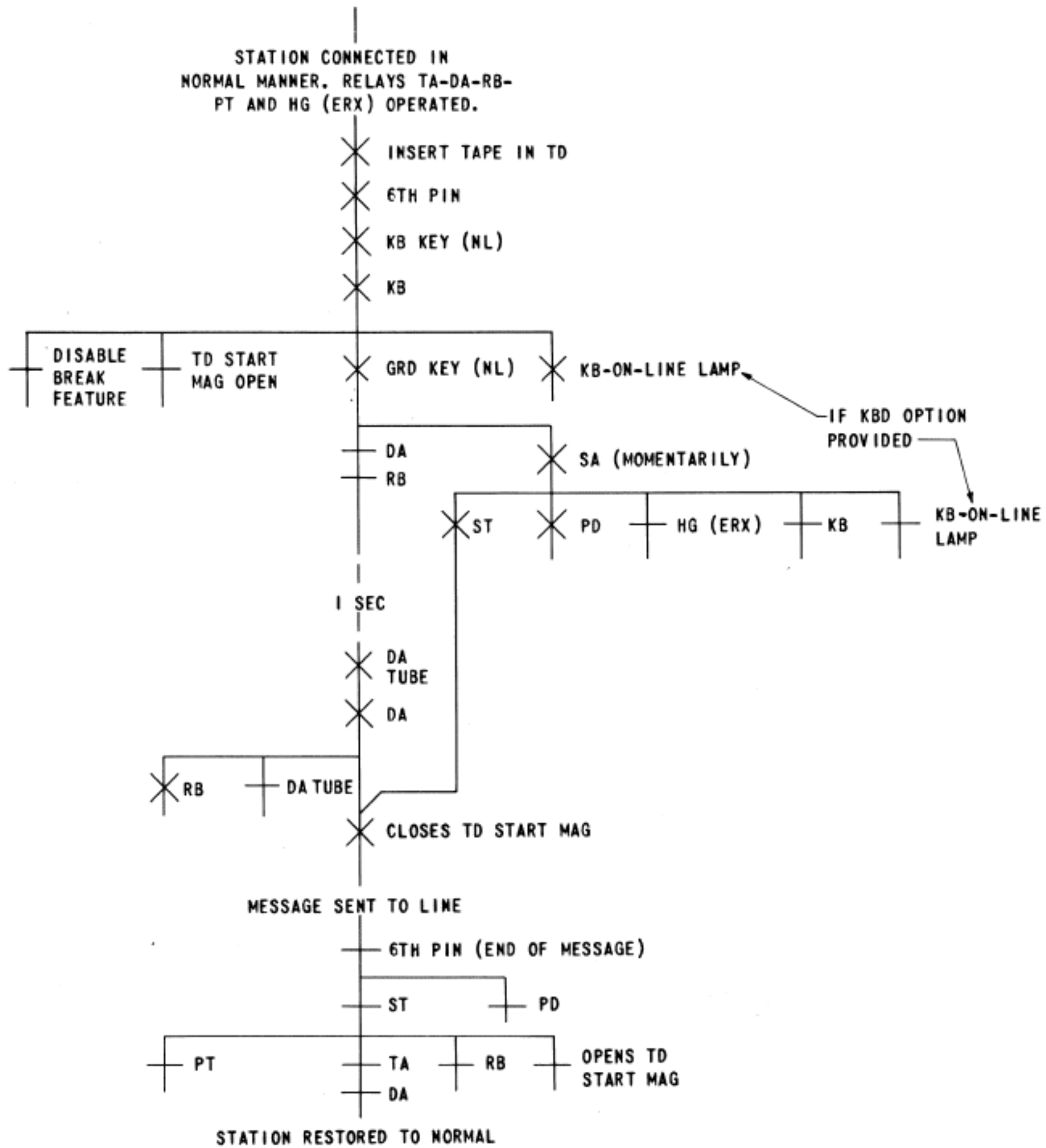
Chart 17



TYPE 2 AUXILIARY SEND FEATURE OPTION FF

PLANS 11 & 41

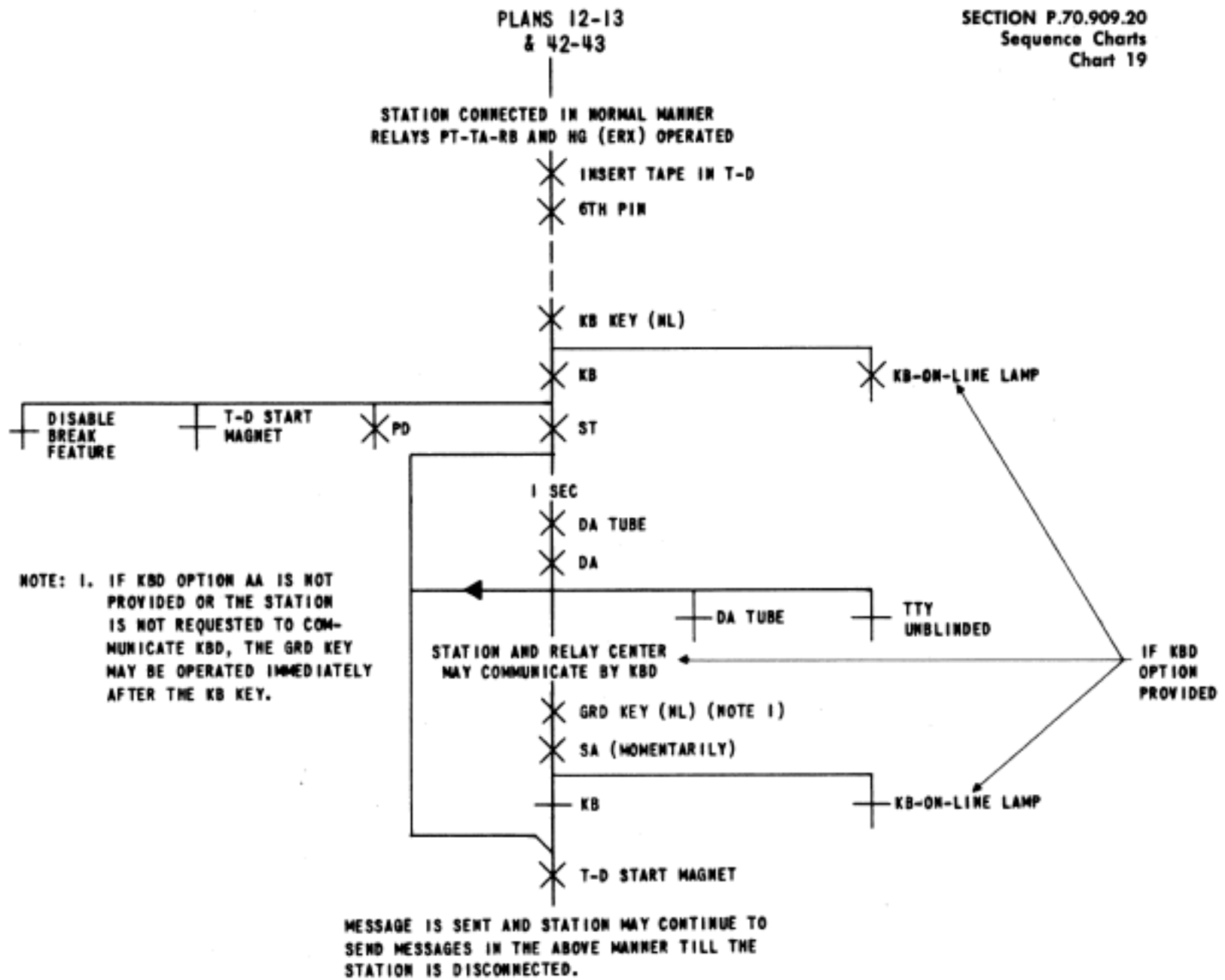
SECTION P.70.909.20  
Sequence Charts  
Chart 18





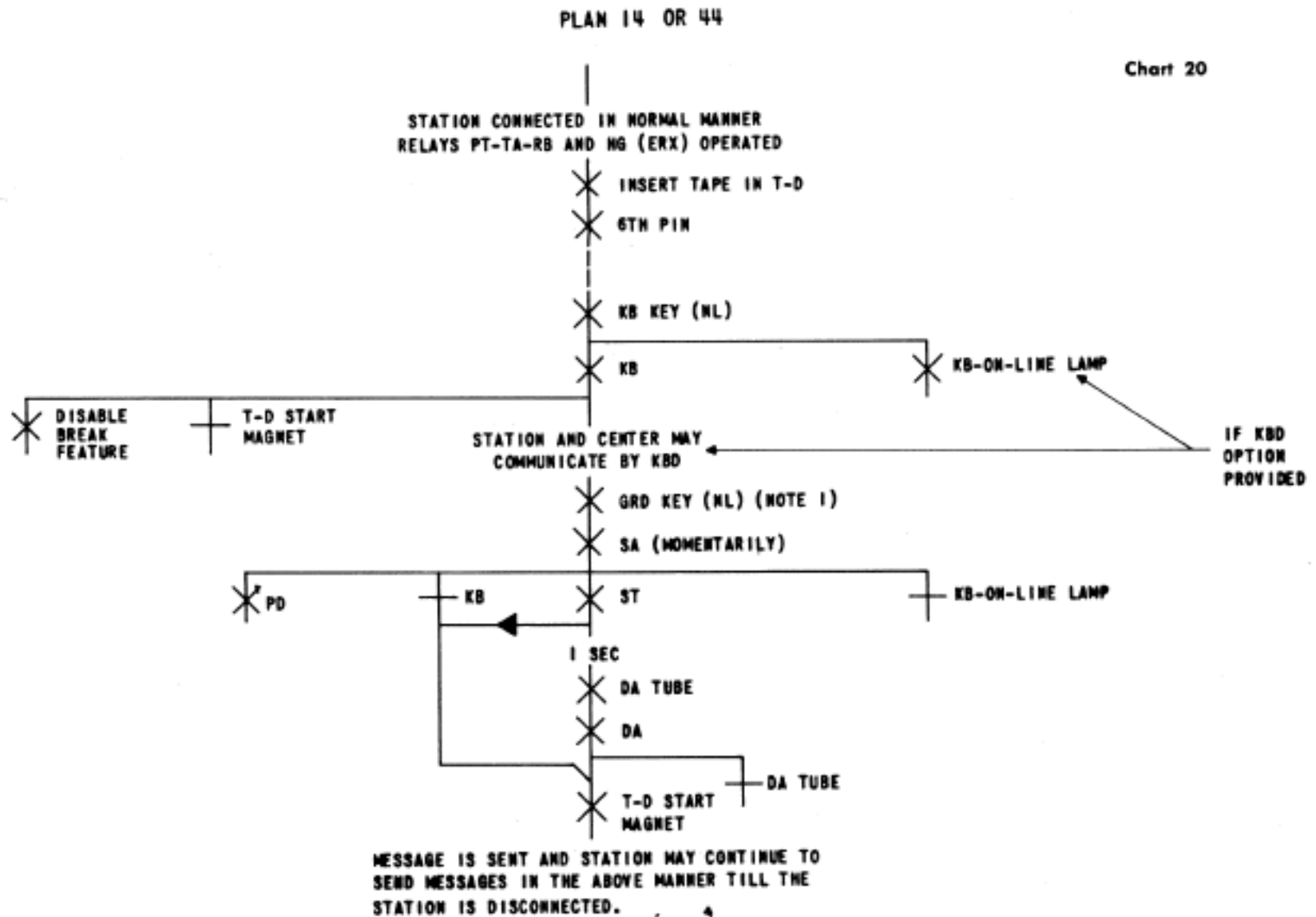
AUXILIARY SEND FEATURE OPTION FF

SECTION P.70.909.20  
Sequence Charts  
Chart 19



AUXILIARY SEND FEATURE OPTION FF

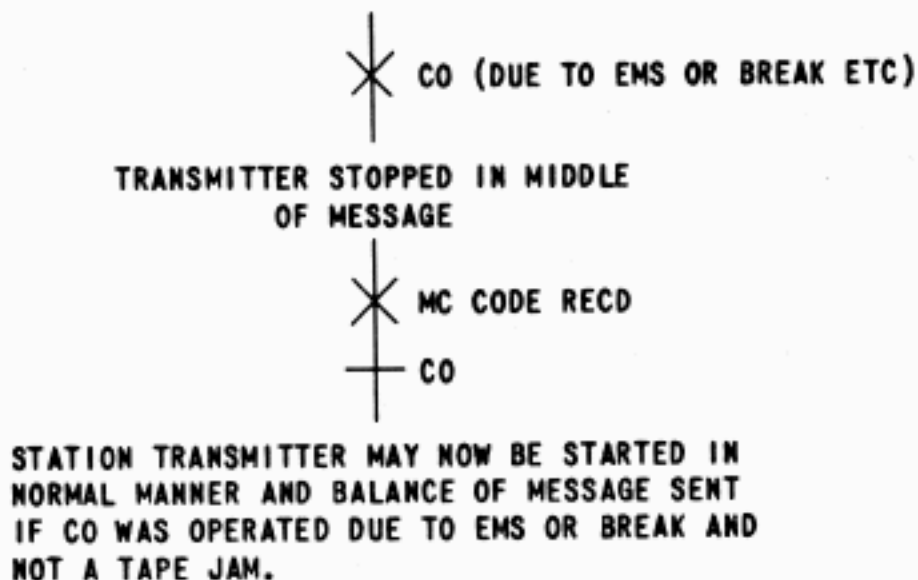
Chart 20



REMOTE RESTORATION OF STP ALARM OPTION HH

SECTION P.70.909.20  
Sequence Charts  
Chart 21

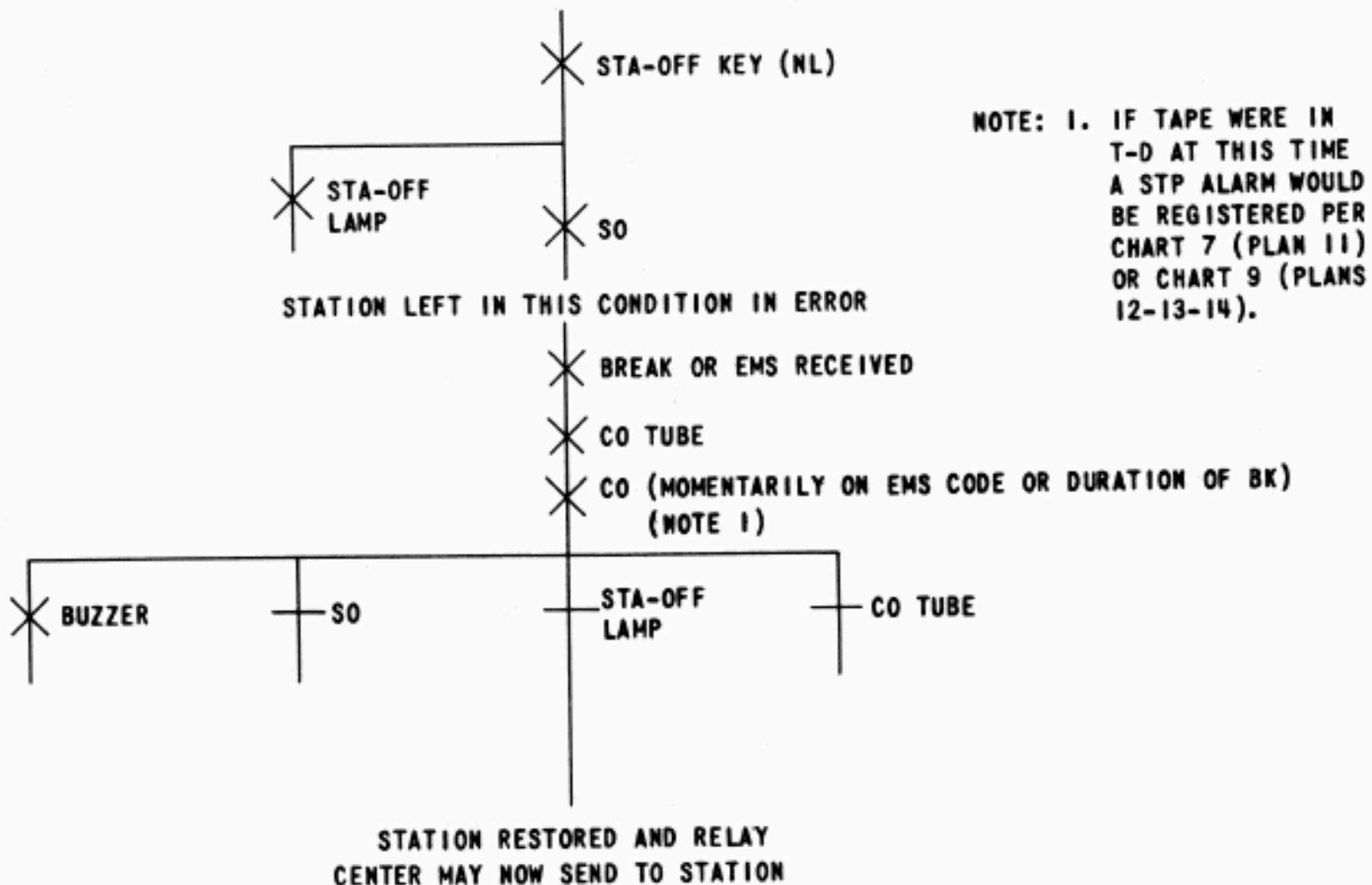
ALL PLANS



REMOTE RESTORATION OF STATION-OFF OPTION II

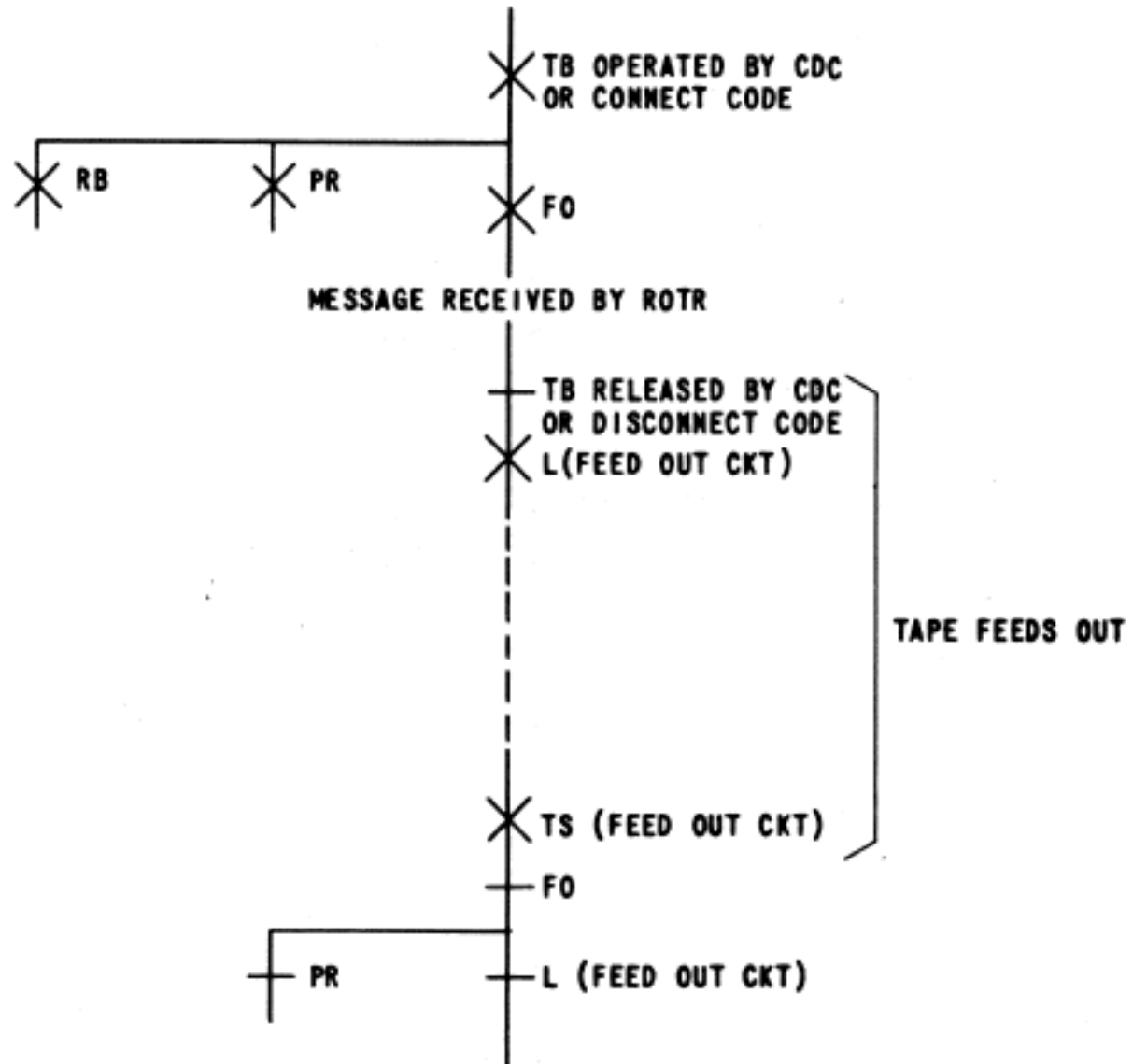
Chart 22

ALL PLANS



AUTOMATIC TAPE FEED OUT OPTION DD  
ALL PLANS

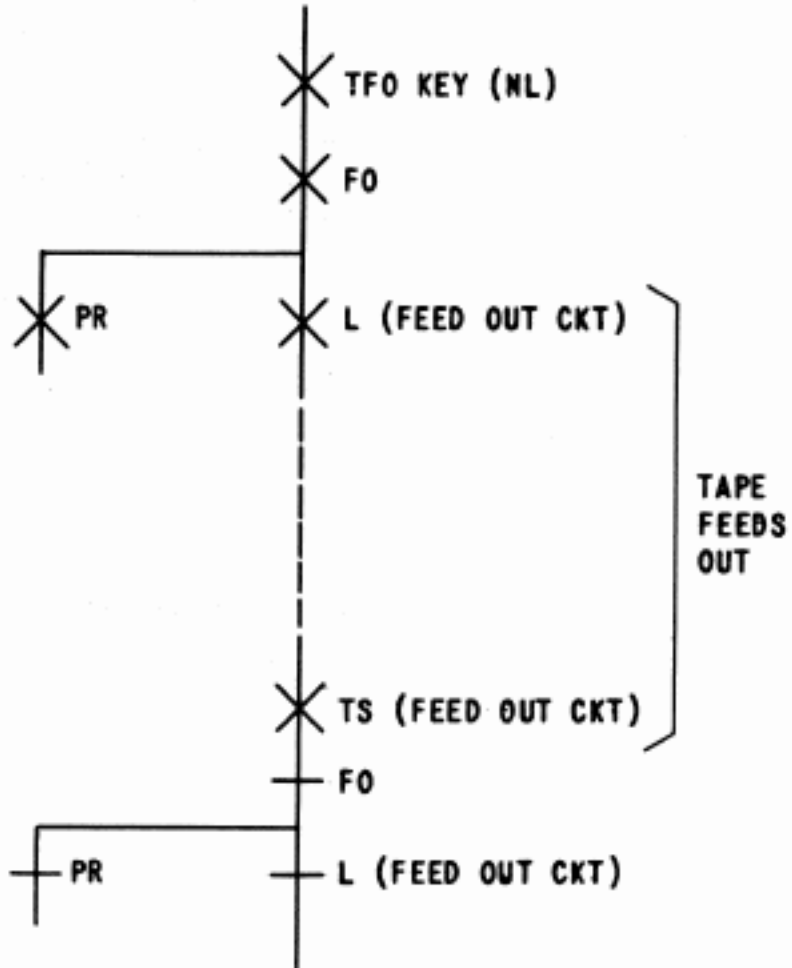
SECTION P.70.909.20  
Sequence Charts  
Chart 23



MANUAL TAPE FEED OUT OPTION EE  
ALL PLANS

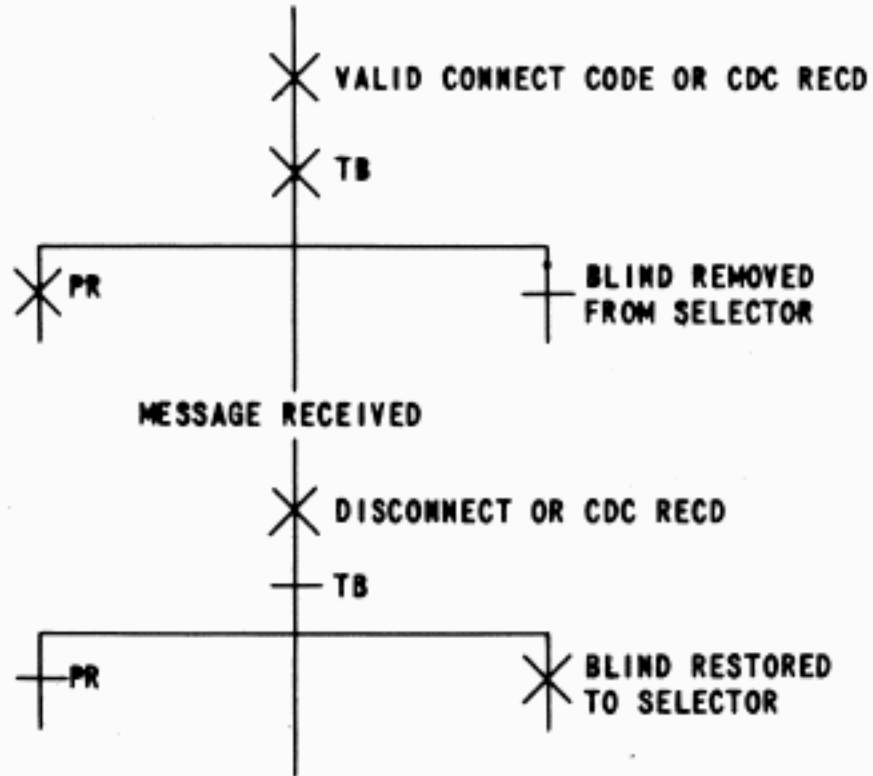
SECTION P.70.909.20  
Sequence Charts  
Chart 24

NOTE: MANUAL FEED OUT OPERATES  
ONLY WHEN STATION NOT  
CONNECTED.



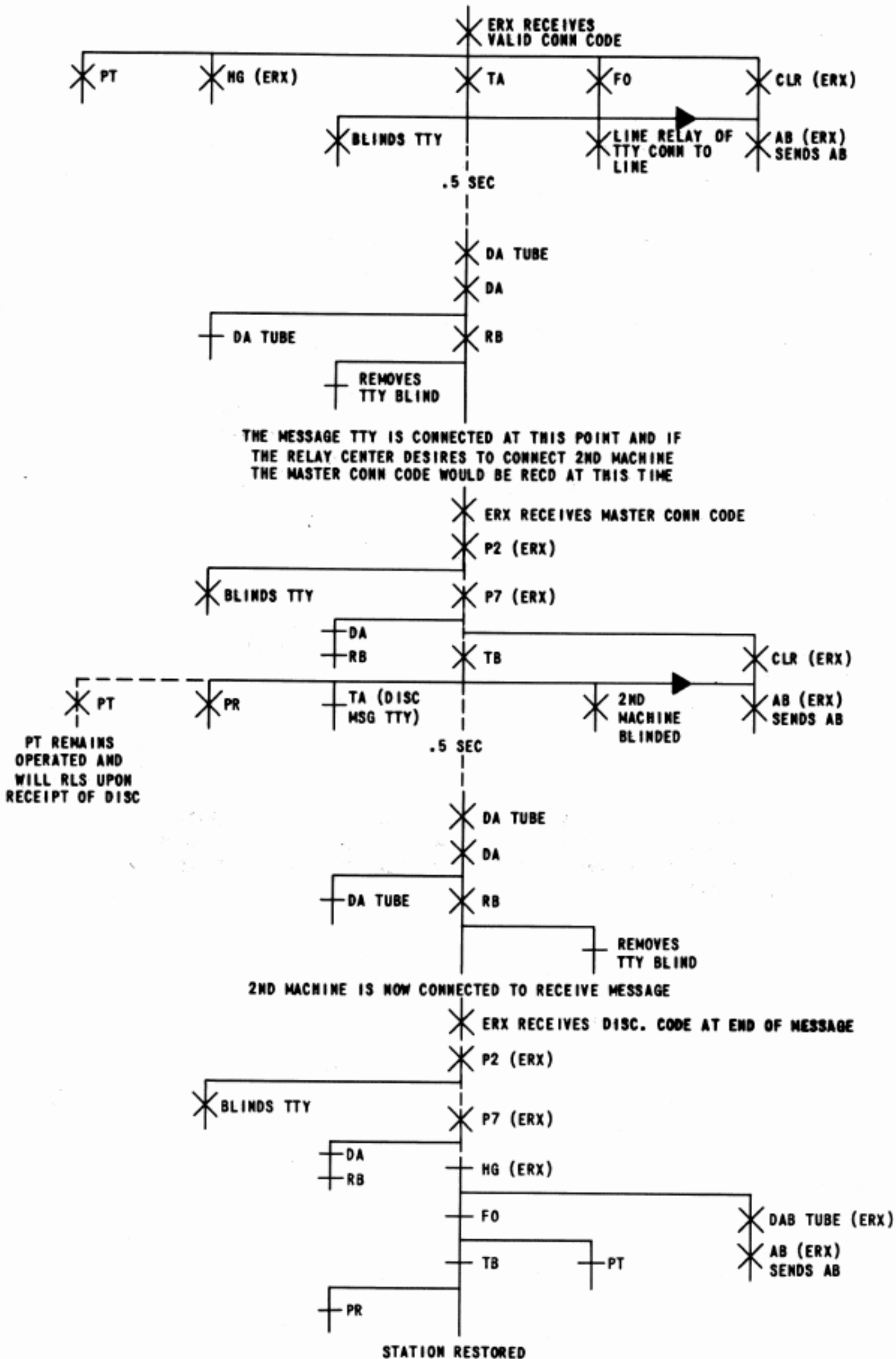
ADDITION OF AN RO OR ROTR PER SUB PLANS  
ALL PLANS

SECTION P.70.909.20  
Sequence Charts  
Chart 25



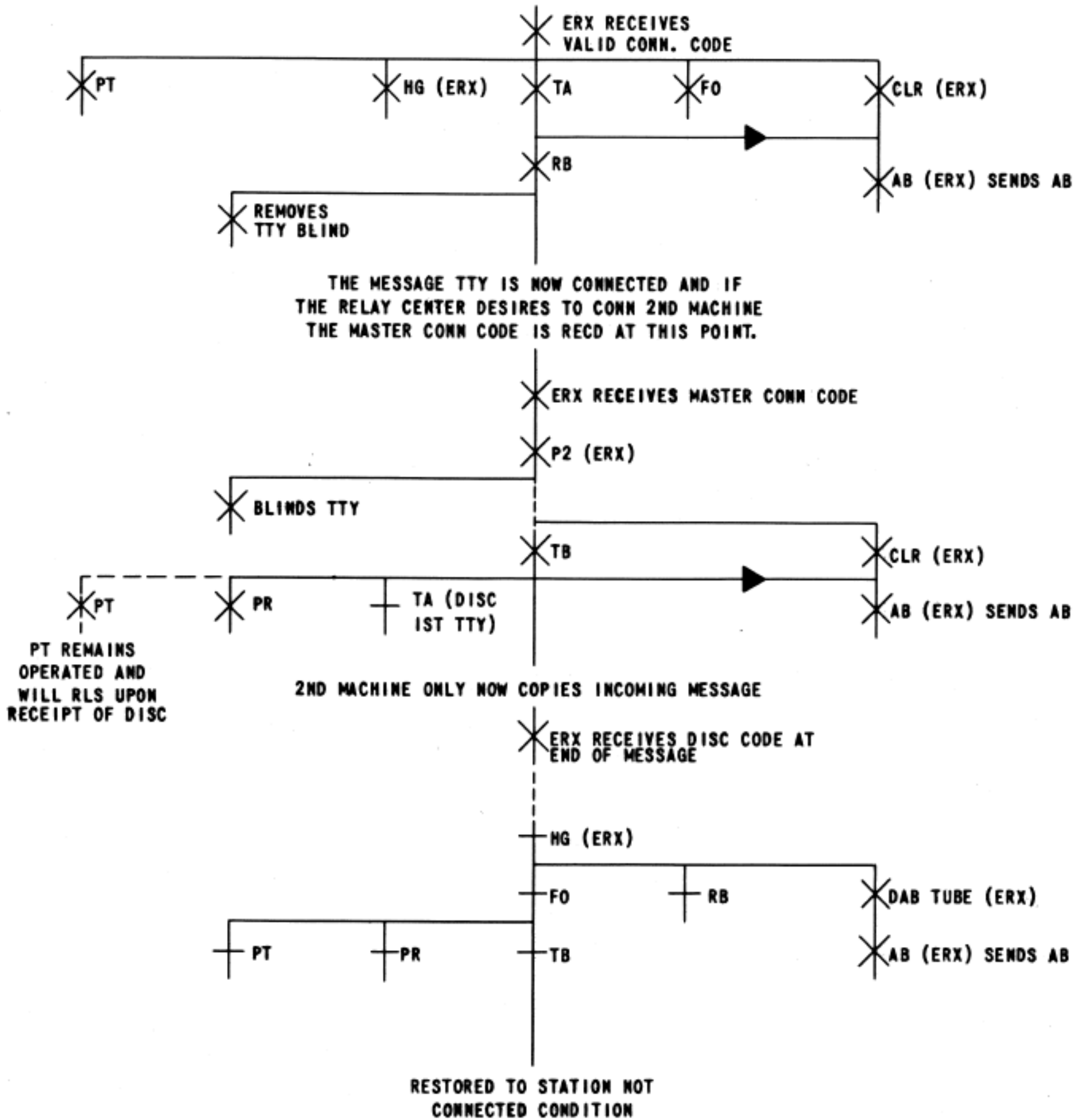
NOTE: THE ADDED RO OR ROTR MAY BE CONNECTED BY ITSELF OR IN ADDITION TO CUSTOMERS REGULAR RECEIVING EQUIPMENT, DEPENDING UPON NEEDS OF CUSTOMER. THE BLINDS PROVIDED FOR REGULAR RECEIVING EQPT ALSO SERVE THE ADDED RO OR ROTR.

CONNECT STATION  
 SPL PLAN 16 (SINGLE)

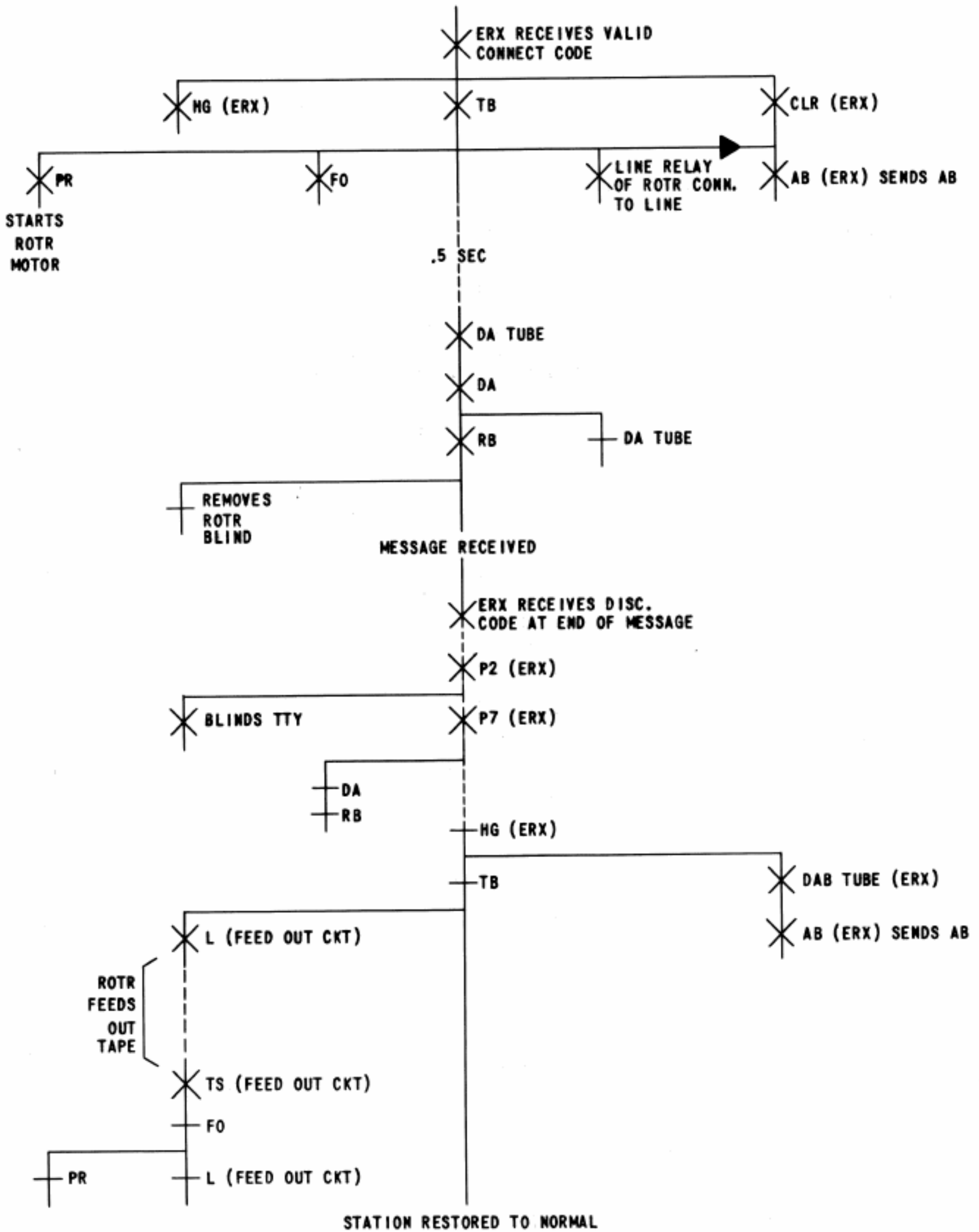


**CONNECT STATION**  
**3PL PLAN 15 (DUPLEX)**

SECTION P.70.909.20  
 Sequence Charts  
 Chart 27



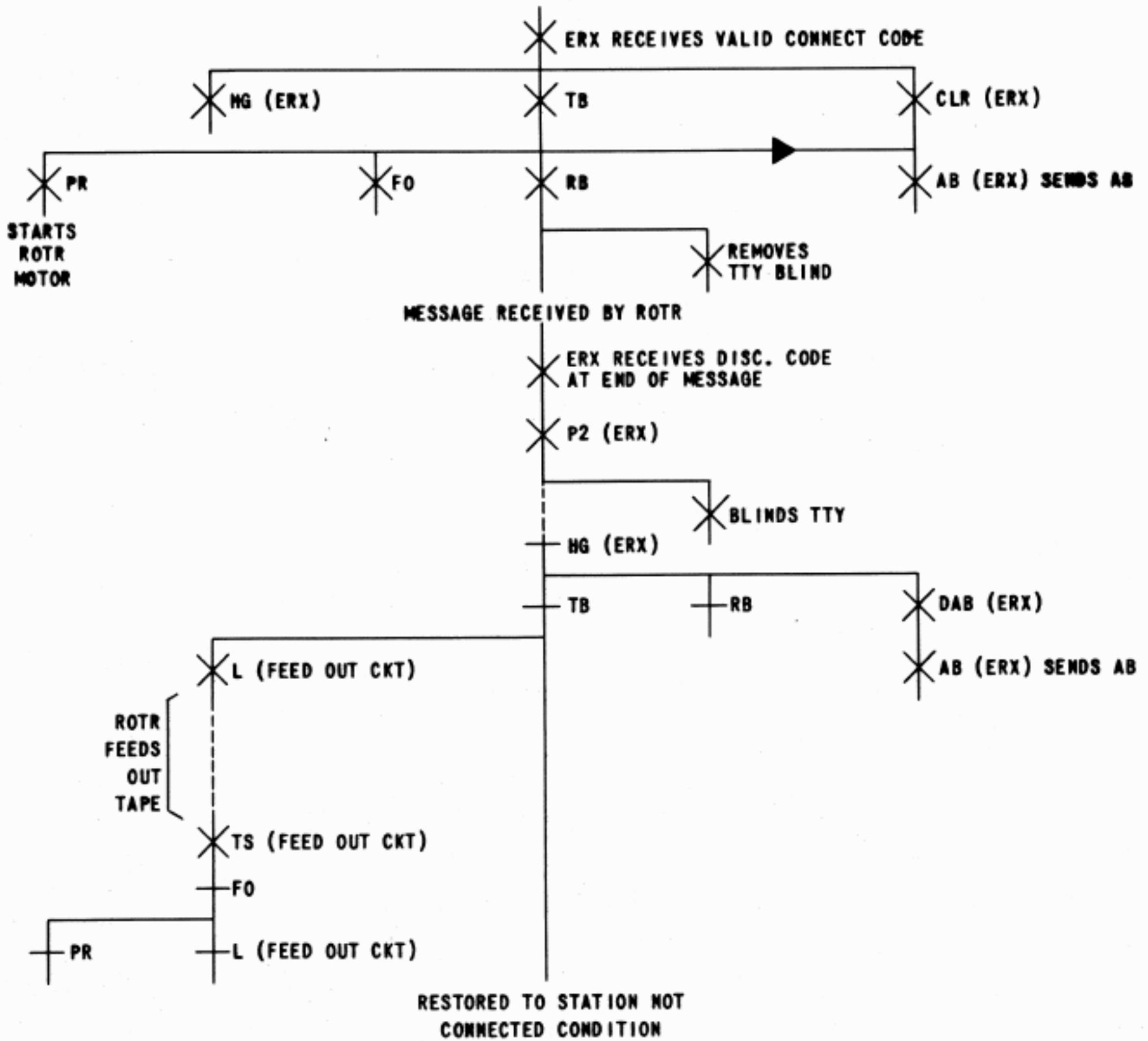
CONNECT STATION  
 SPL PLAN 17 (SINGLE)





CONNECT STATION  
SPL PLAN 18 (DUPLEX)

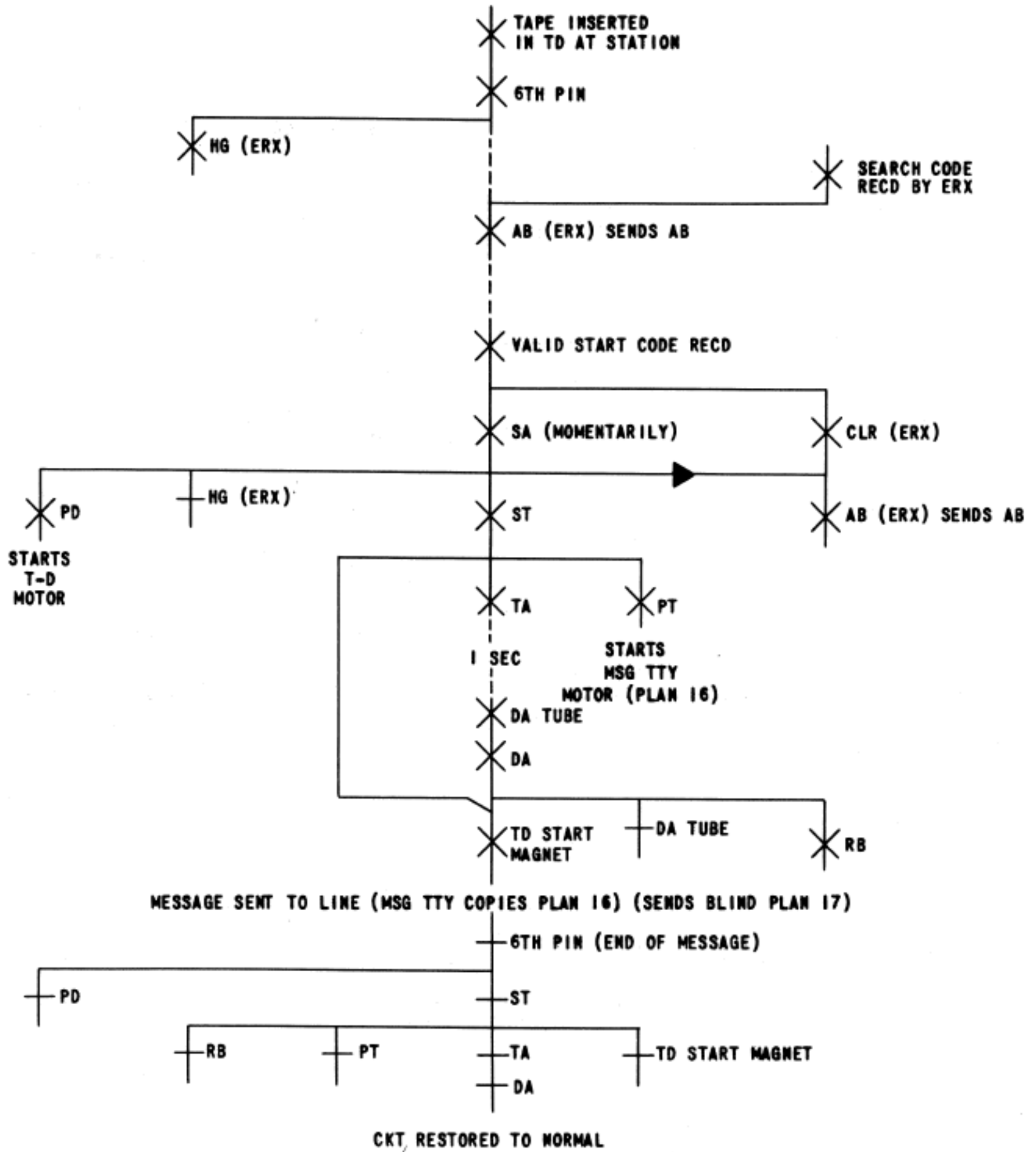
SECTION P.70.909.20  
Sequence Charts  
Chart 29



# AUTOMATIC STATION SENDING

## SPL PLANS 16-17

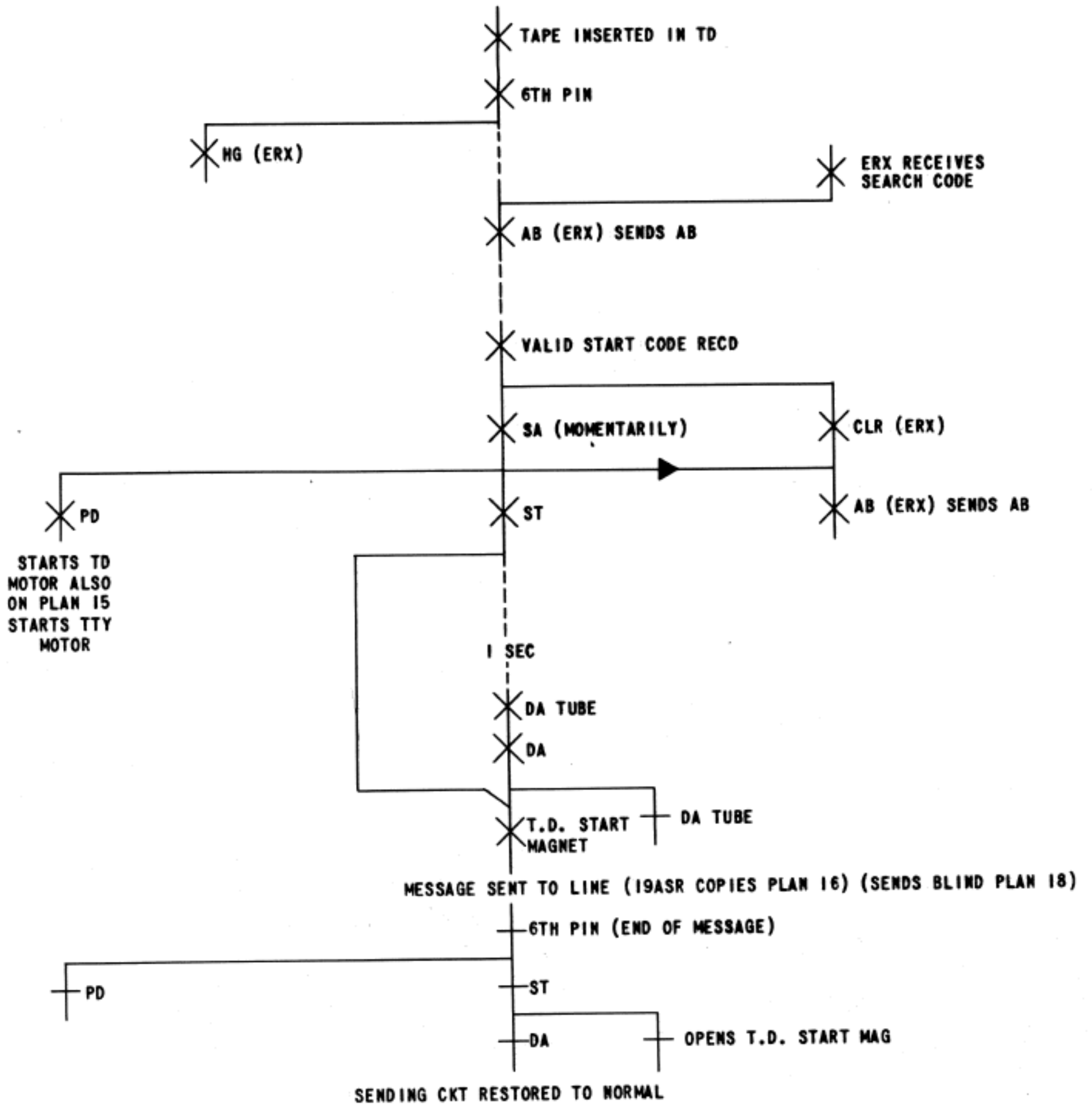
SECTION P.70.909.20  
Sequence Charts  
Chart 30



AUTOMATIC STATION SENDING

SPL PLANS 15-18

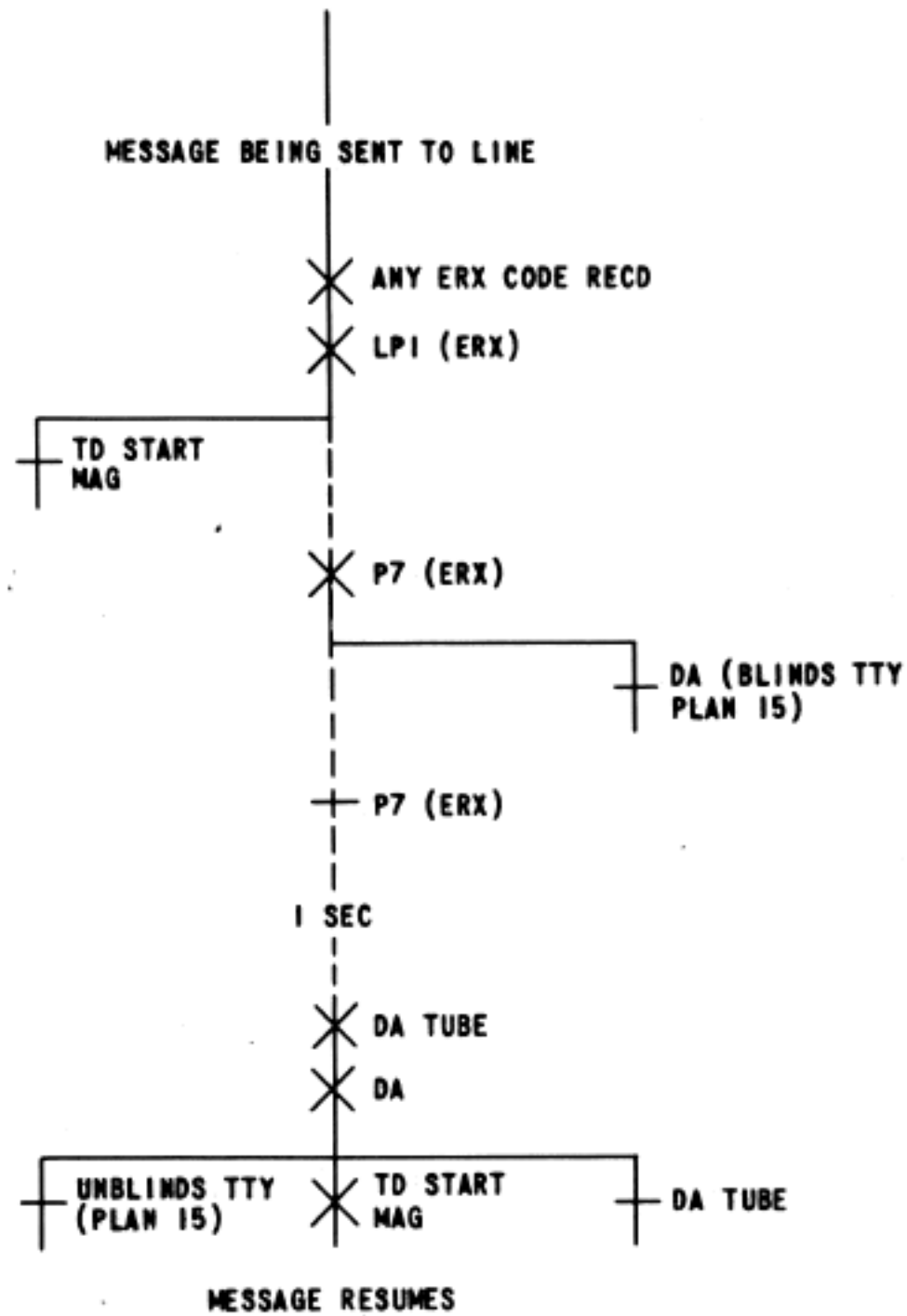
SECTION P.70.909.20  
Sequence Charts  
Chart 31



CODE RECEIVED WHILE STATION SENDING

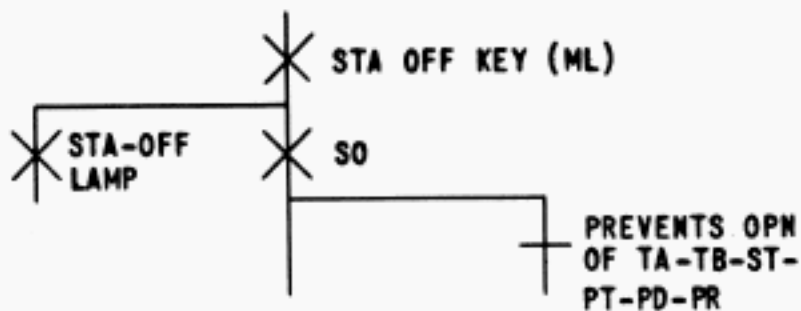
SPL PLANS 15-18

SECTION P.70.909.20  
Sequence Charts  
Chart 32

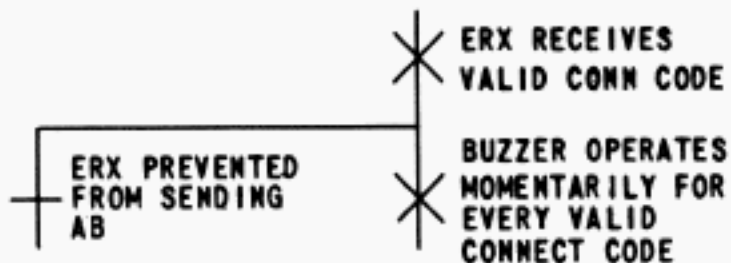


STATION OFF FEATURE  
SPL PLANS 15-16-17-18

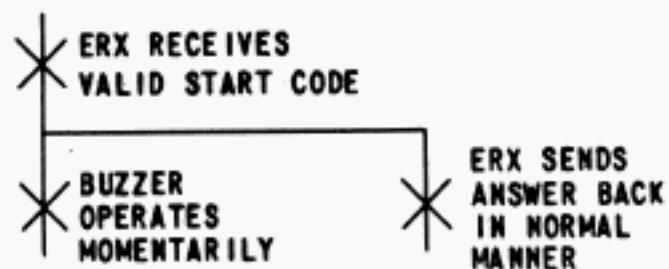
SECTION P.70.909.20  
Sequence Charts  
Chart 33



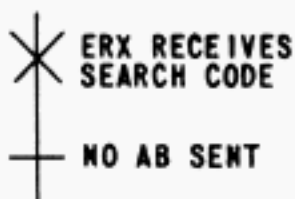
STATION CONNECT CODE  
RECD DURING STATION OFF PERIOD



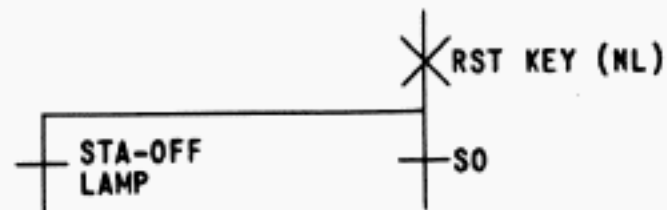
START CODE RECD DURING  
STATION OFF PERIOD



SEARCH CODE RECD  
DURING STATION OFF



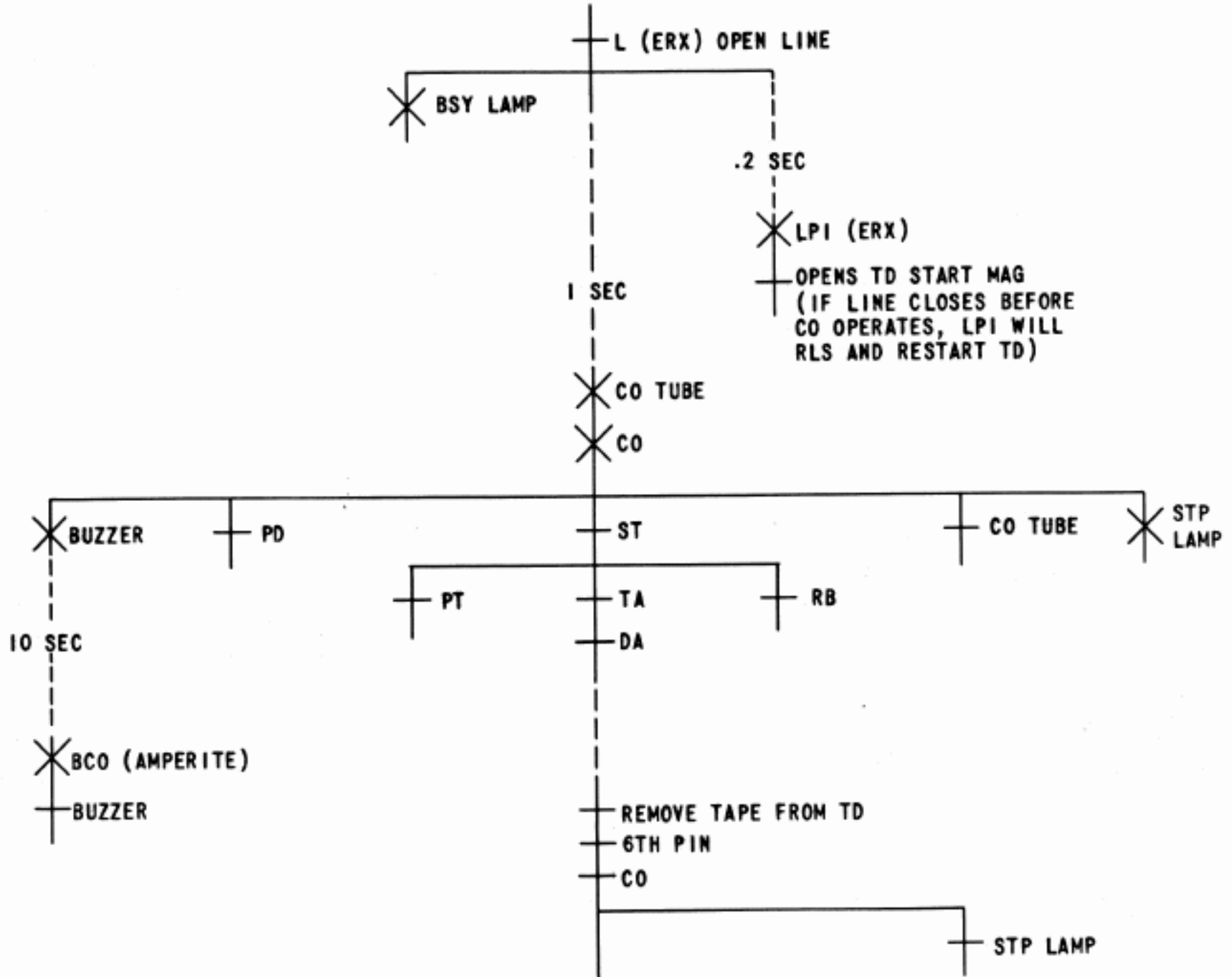
STATION RESTORED AFTER  
STATION OFF PERIOD



CKT RESTORED TO NORMAL

BREAK FEATURE  
 SPL PLANS 16-17

NOTE: BK ALARM ACTIVATED ONLY  
 WHILE STATION IS TRANSMITTING  
 RELAYS PD-SD-PT-TA-RB AND  
 DA OPERATED.



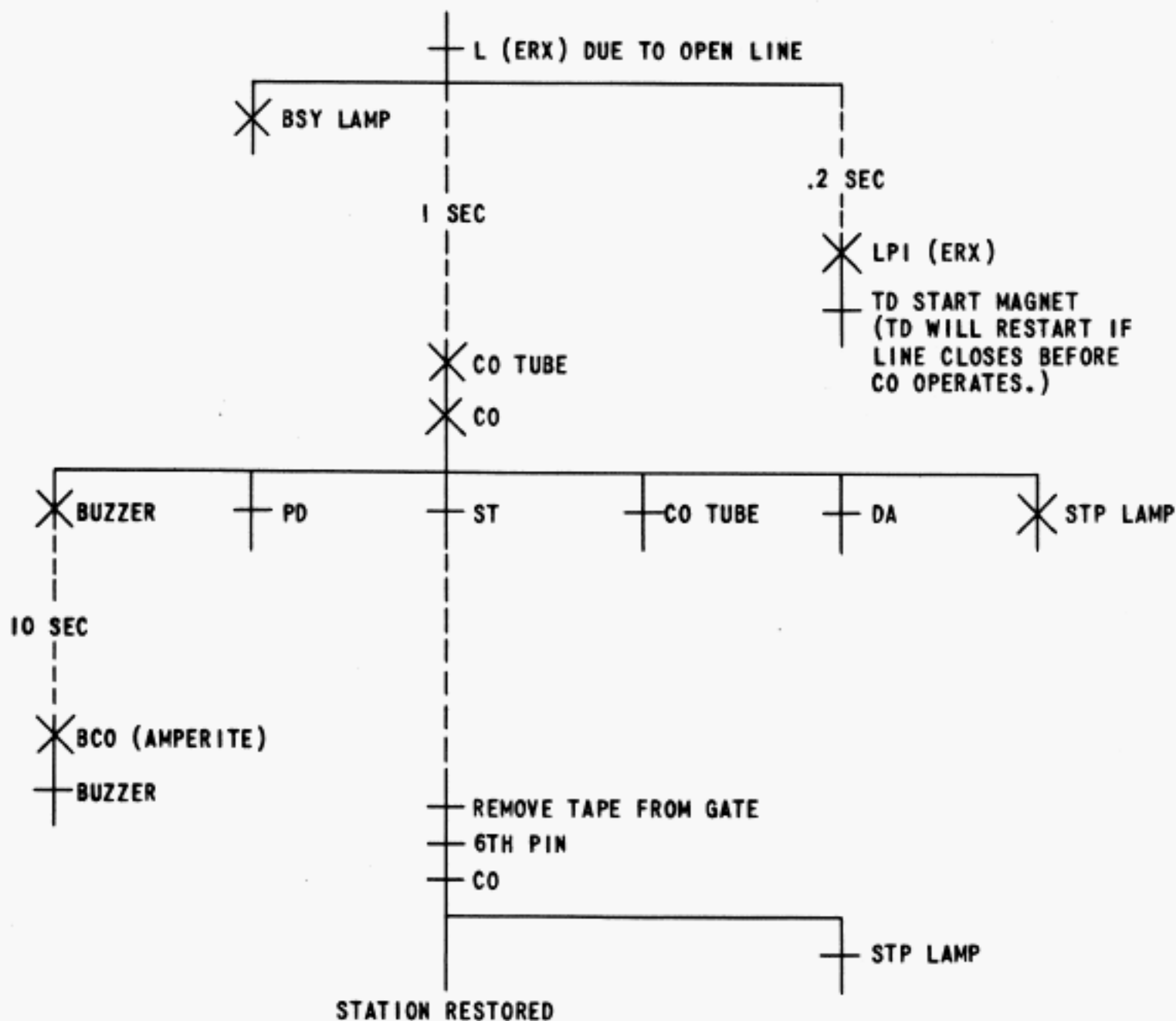
STATION RESTORED

BSY LAMP WILL LIGHT STEADILY  
 TILL LINE CLOSES. THE TAPE  
 SHOULD BE REINSERTED IN TD  
 TO BE RESTARTED ON NEXT START  
 CODE.

BREAK FEATURE  
SPL PLANS 15-18

SECTION P.70.909.20  
Sequence Charts  
Chart 35

NOTE: BK ALARM ACTIVATED  
ONLY WHEN STATION IS  
TRANSMITTING. RELAYS  
PD-ST-DA OPERATED.

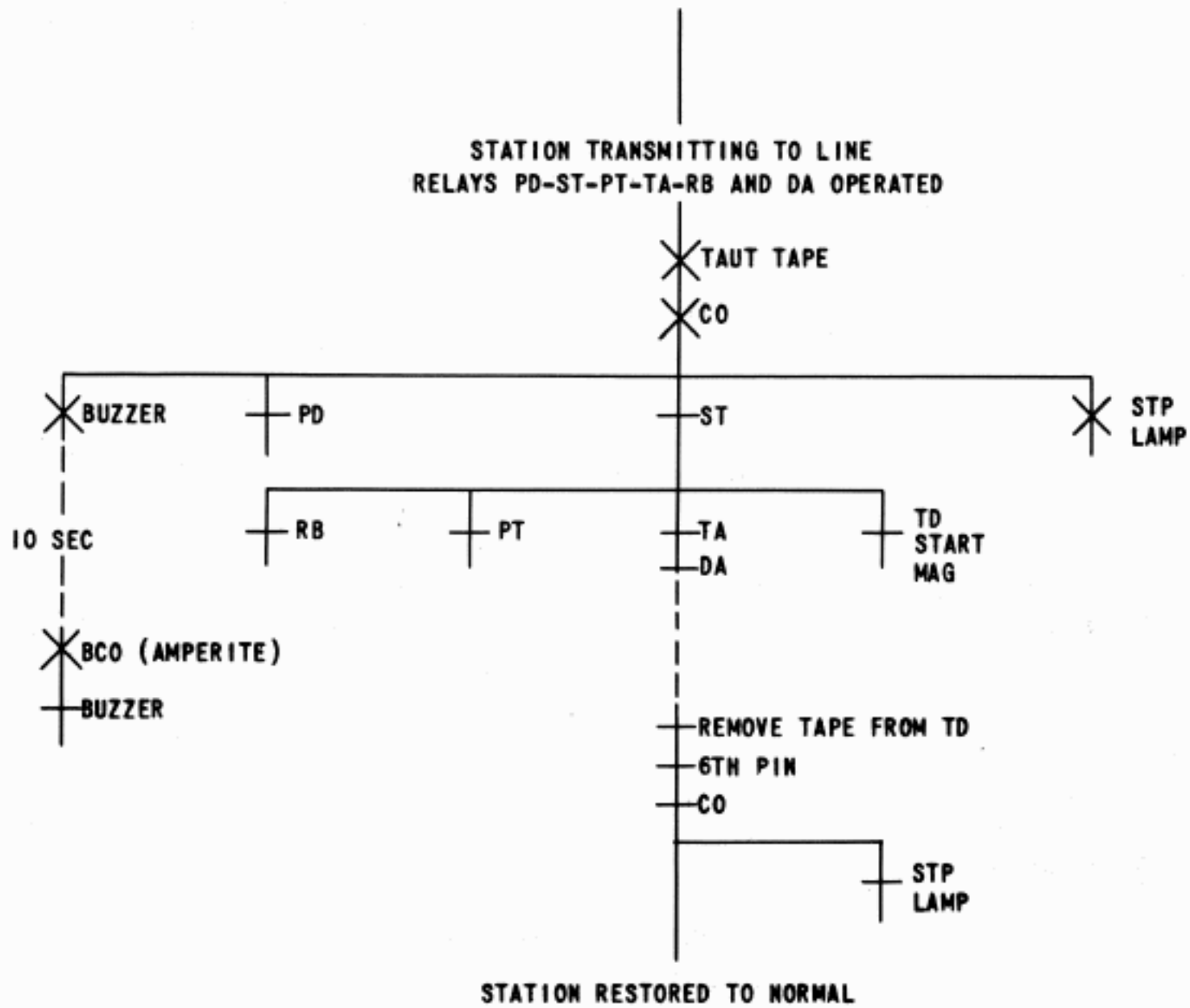


BSY LAMP WILL LIGHT STEADILY  
TILL LINE CLOSES. THE TAPE  
SHOULD BE REINSERTED IN T.D.  
TO BE RESTARTED ON NEXT START  
CODE.

# TAUT TAPE ALARM

SPL PLANS 16-17

SECTION P.70.909.20  
Sequence Charts  
Chart 36

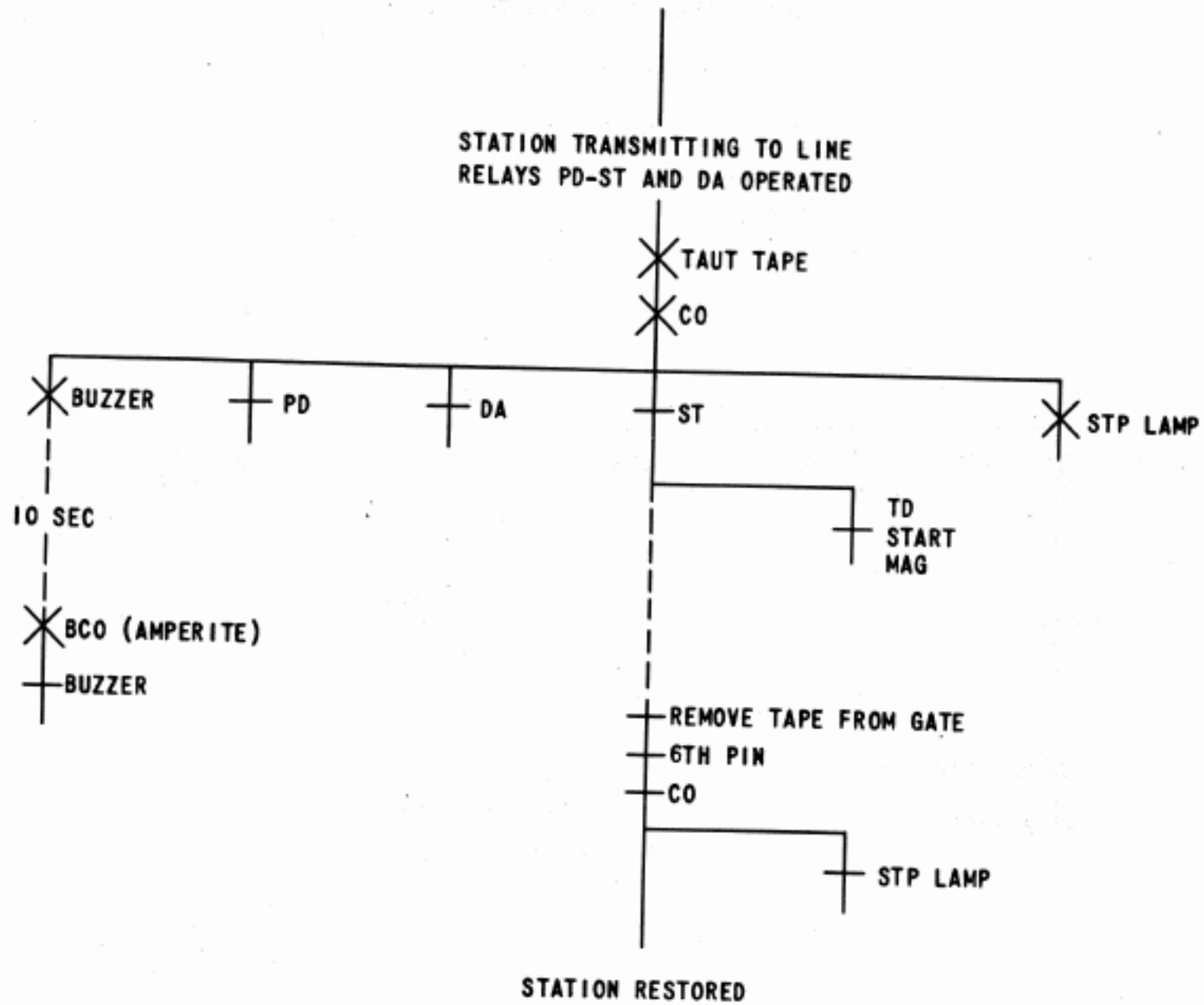




TAUT TAPE ALARM

SPL PLANS 15-18

SECTION P.70.909.20  
Sequence Charts  
Chart 37



EMERGENCY STOP FEATURE  
SPL PLANS 15-18

NOTE: EMS CODE ACTIVATES ALARM  
ONLY WHEN STATION IS  
TRANSMITTING.

