

FIG. 1

BELL SYSTEM PRACTICES
Teletypewriter and Data Stations

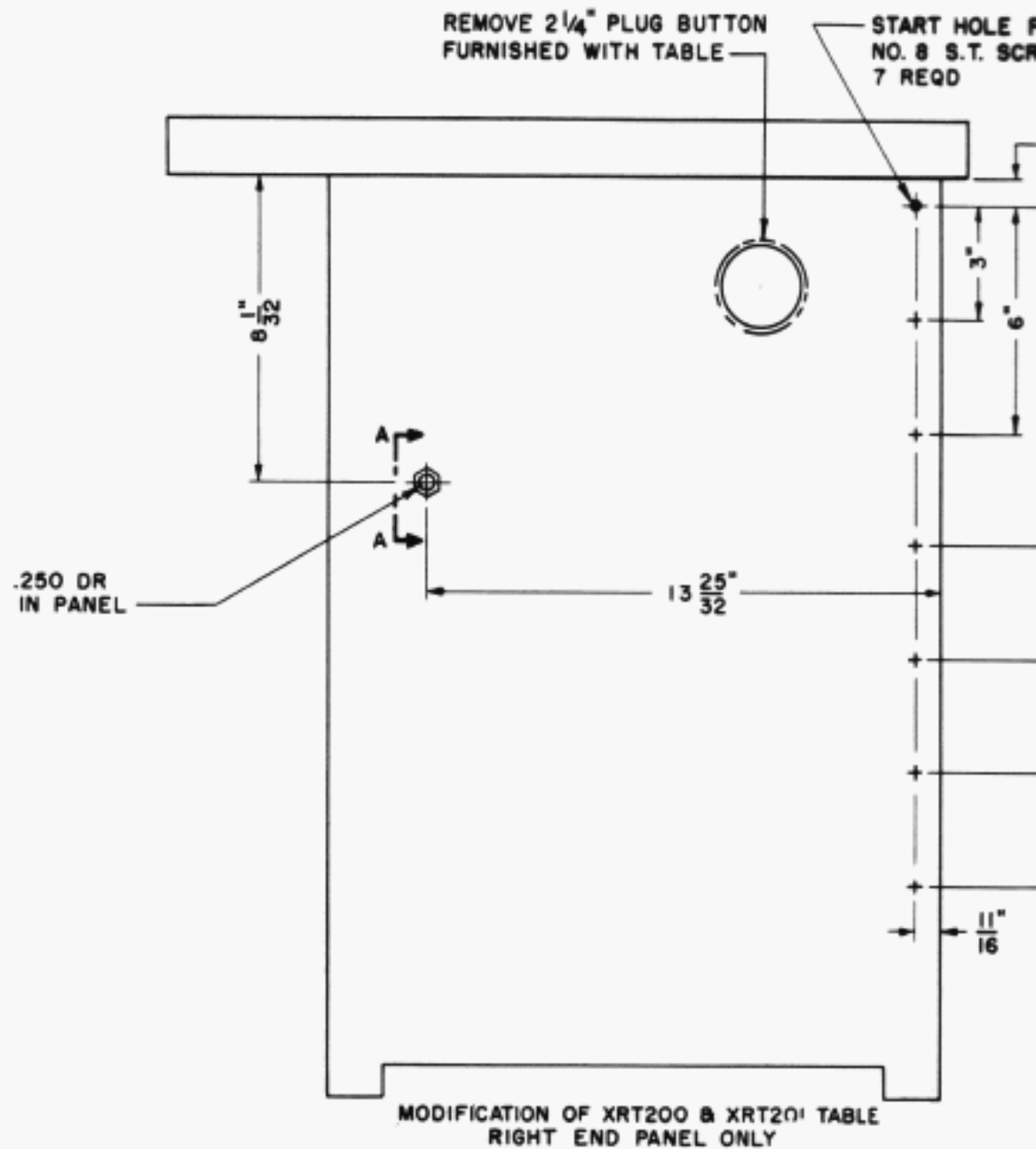


FIG. 2

CSK IN
ICAL SERVICE UNIT
X 3/8" FH M SCR
LOCK WASHER
NUT

D OR XRT201 TABLE
ED PER FIG. 2

RYANT 1708
ECEPTACLE
(PLUG TYPE FUSETRON
OR 14 TTY ONLY)

OWER SUPPLY CORD

PP MTG PANEL
ER ED-71212-50,
R1 (GRAY GN FIN.) OR
R3 (BROWN FIN.) AS REQD

54-32 X 5/8" RH M SCR
EAVY LOCK WASHER
HEX NUT

IF CONN BLOCKS
DDED BY INSTALLER
S REQD

2 TYPE KEY UNIT
(RECALL) WHEN REQD
98 DESIG STRIP
& BLACK HANDLE

584DG SUB. SET
& MTG DETAILS
PER ED-71212-50, GR5

P-422946*
BH S.T. SCR
TYPE "Z"

150 TYPE WAVE SHAPING SET
WHEN REQD (SET NO. 1)
MTD WITH .164-32 X 1/2"
RH M SCREWS
& HEX NUTS

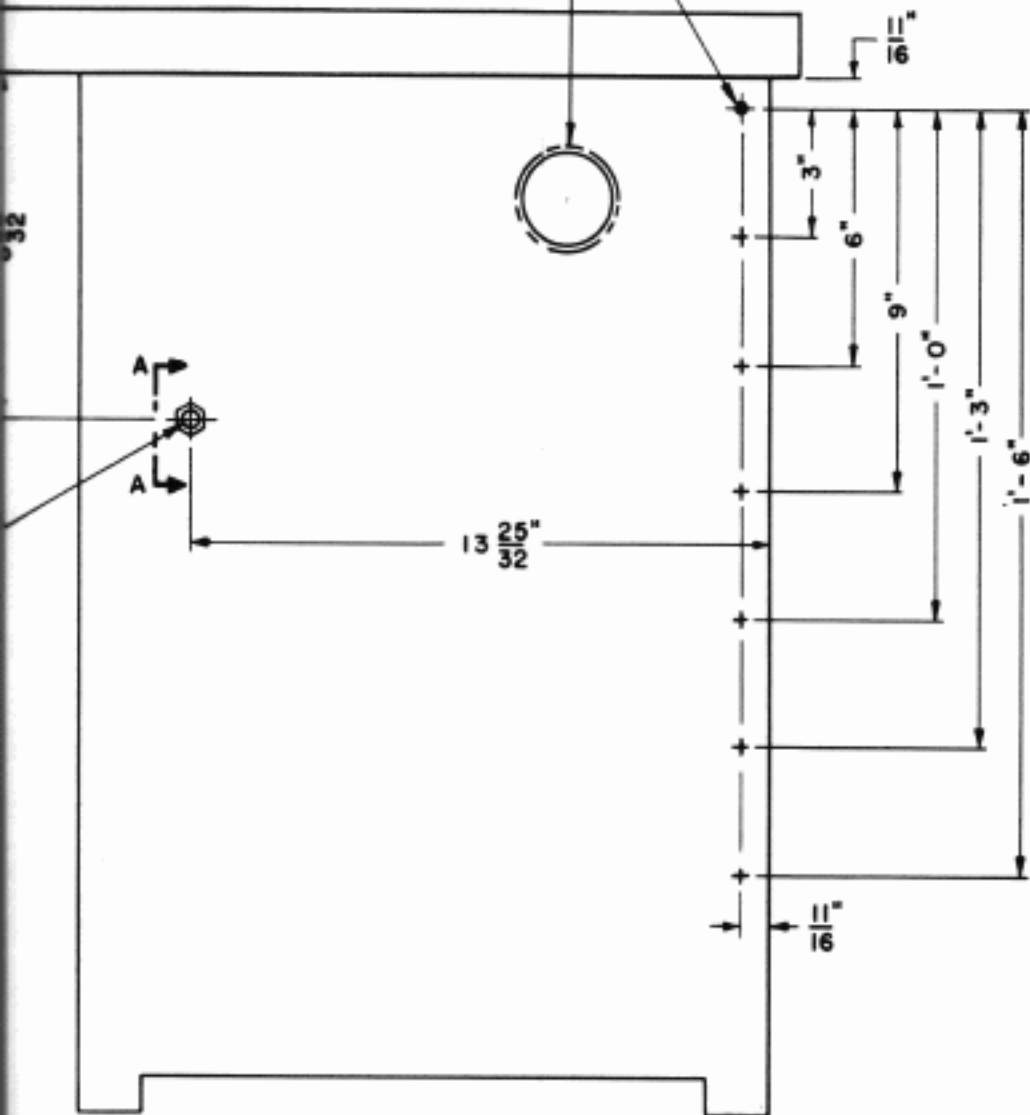
150 TYPE WAVE SHAPING SET
WHEN REQD (SET NO. 2)
MTD WITH .164-32 X 1/2"
RH M SCREWS
& HEX NUTS

RIGHT END VIEW

FIG. 1

REMOVE 2 1/4" PLUG BUTTON
FURNISHED WITH TABLE

START HOLE FOR
NO. 8 S.T. SCR
7 REQD



MODIFICATION OF XRT200 & XRT201 TABLE
RIGHT END PANEL ONLY

FIG. 2

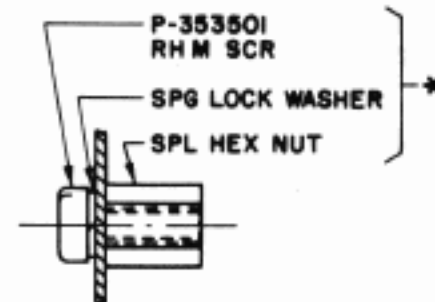
NOTES:

- ITEMS DESIGNATED * ARE PART OF ED-71212-50,
GR1 OR GR3.

P-422946 *
BH S.T. SCR
TYPE "Z"

150 TYPE WAVE SHAPING SET
WHEN REQD (SET NO. 1)
MTD WITH .164-32 X 1/2"
RH M SCREWS
& HEX NUTS

150 TYPE WAVE SHAPING SET
WHEN REQD (SET NO. 2)
MTD WITH .164-32 X 1/2"
RH M SCREWS
& HEX NUTS



MOUNTING OF SPECIAL NUT ON
OUTSIDE OF RIGHT END PANEL

SECT. A - A