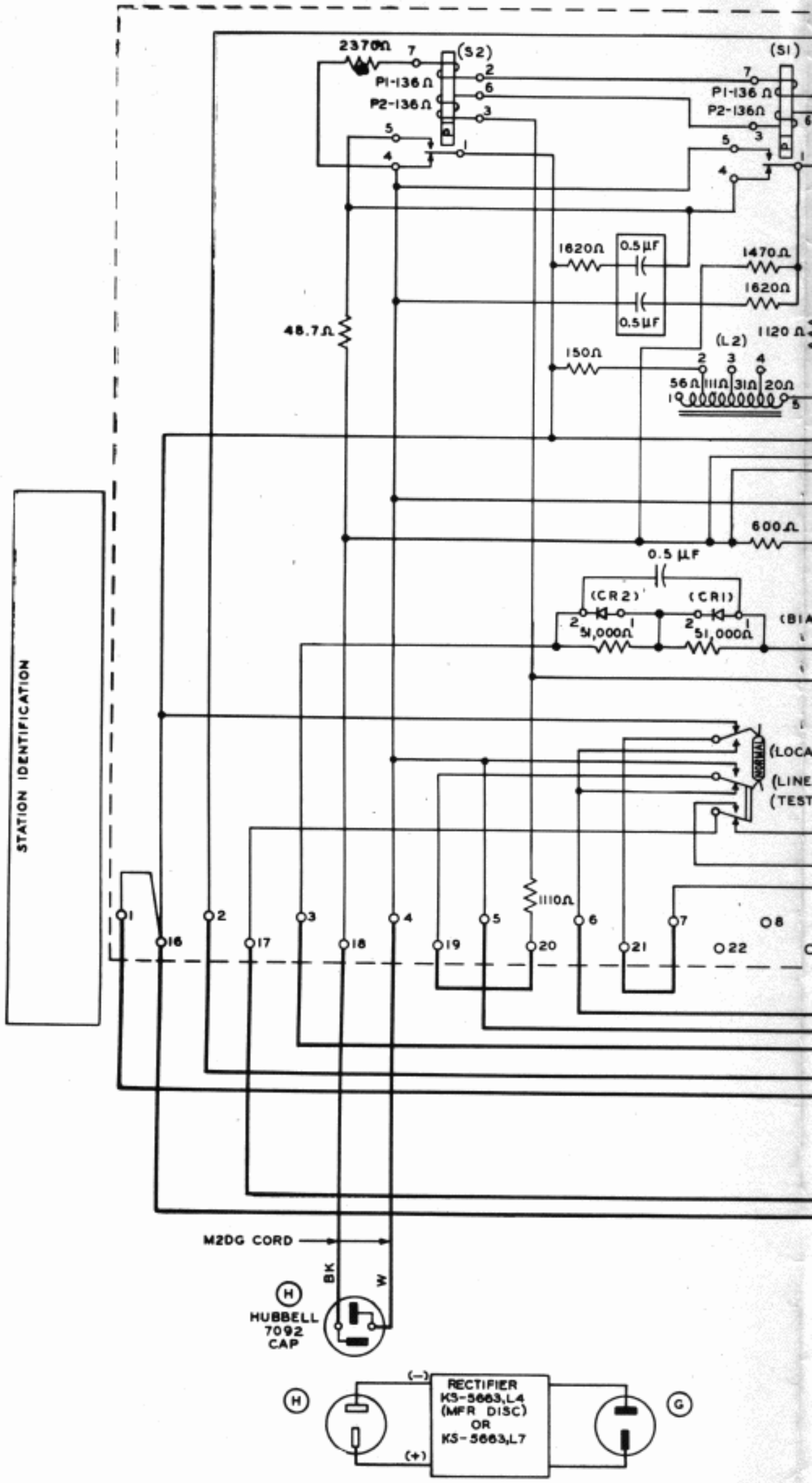


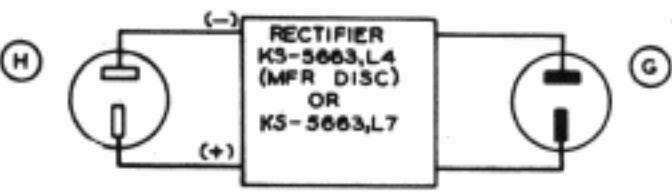
24

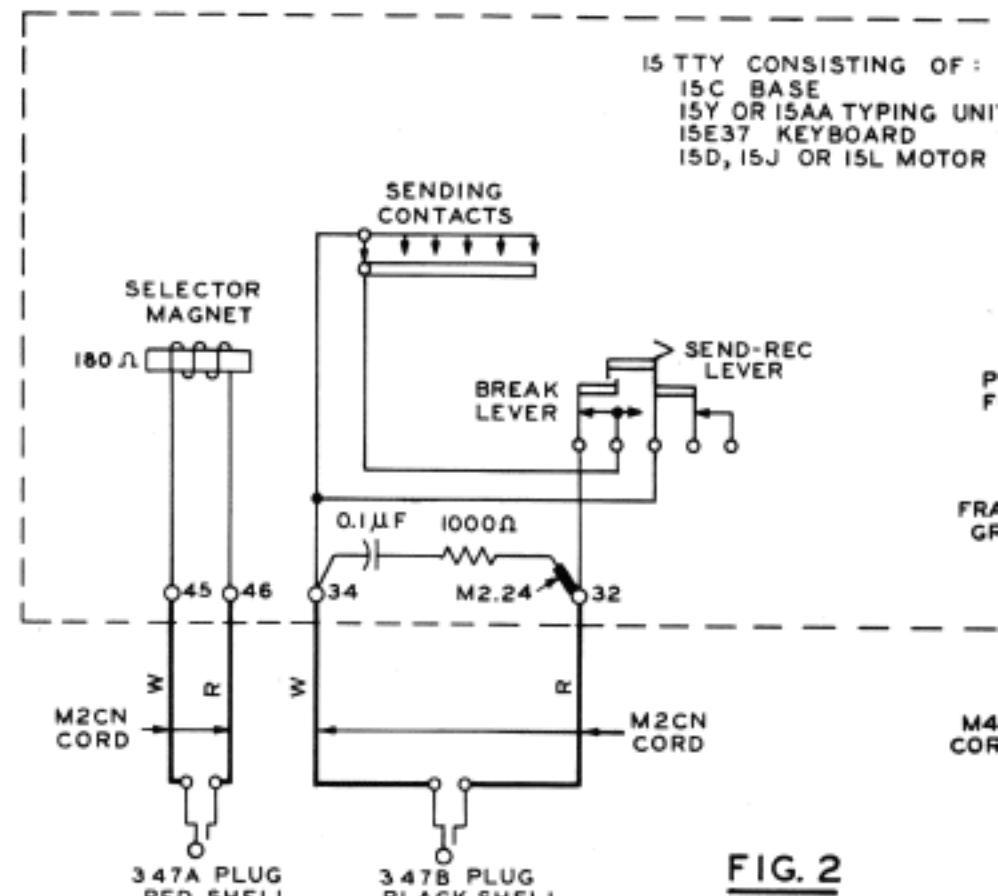
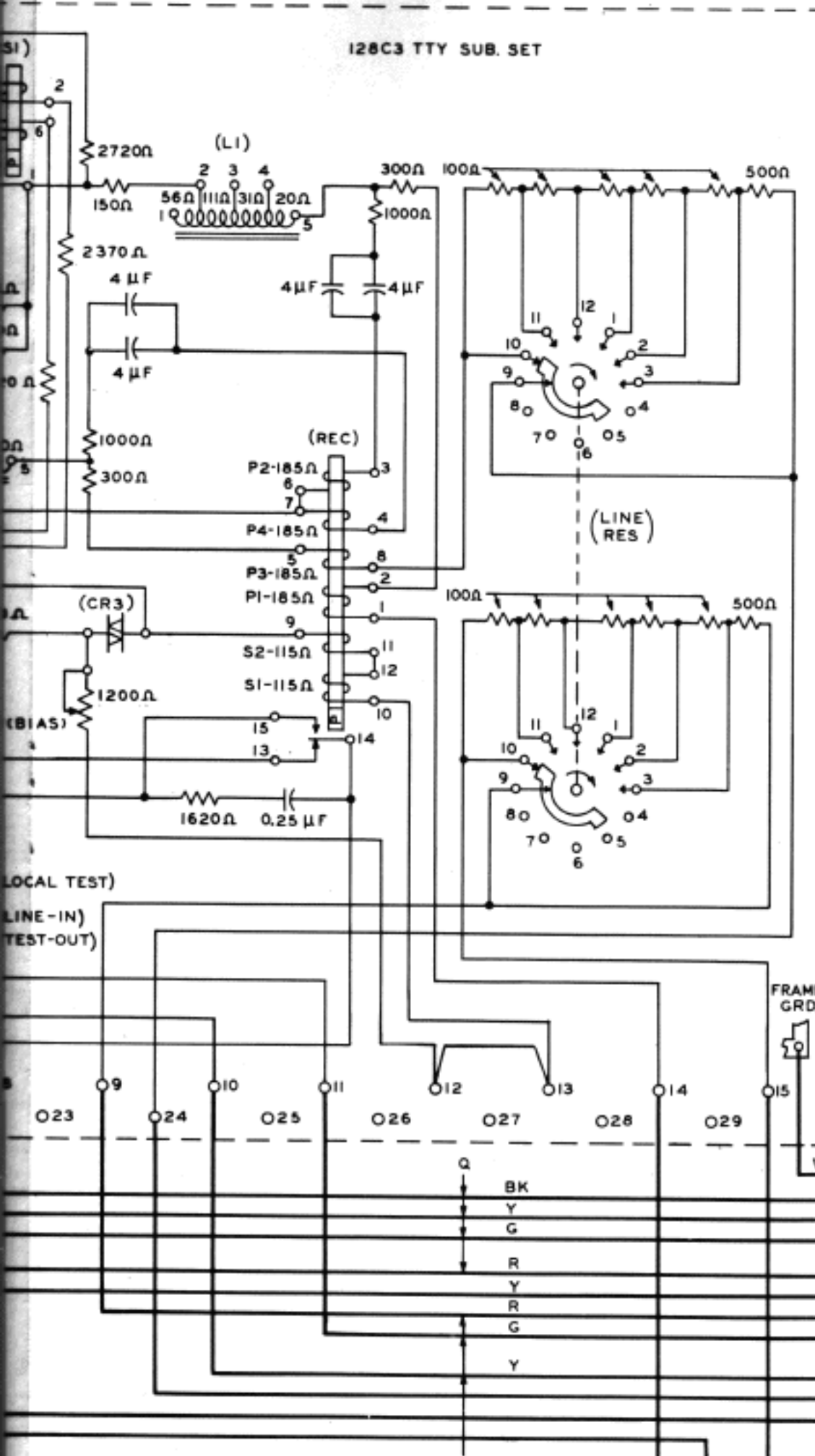


STATION IDENTIFICATION

M2DG CORD

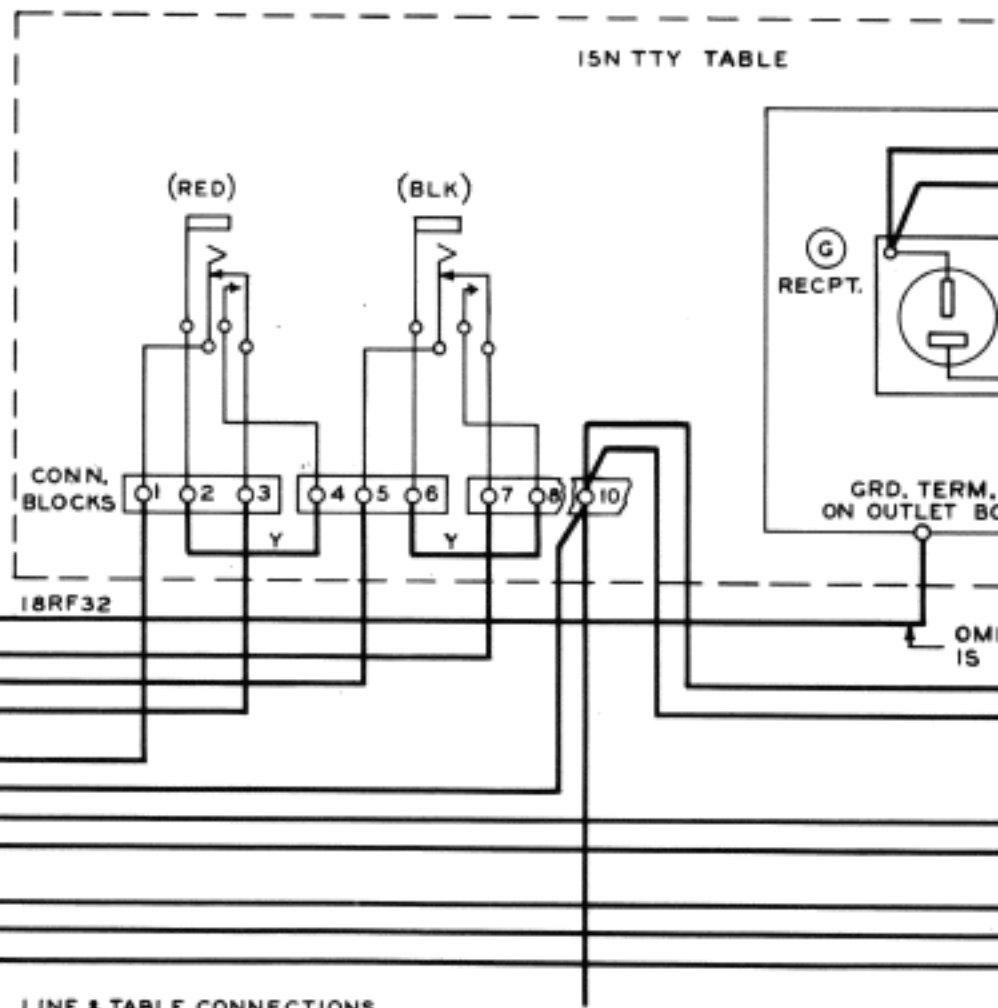
HUBBELL 7092 CAP



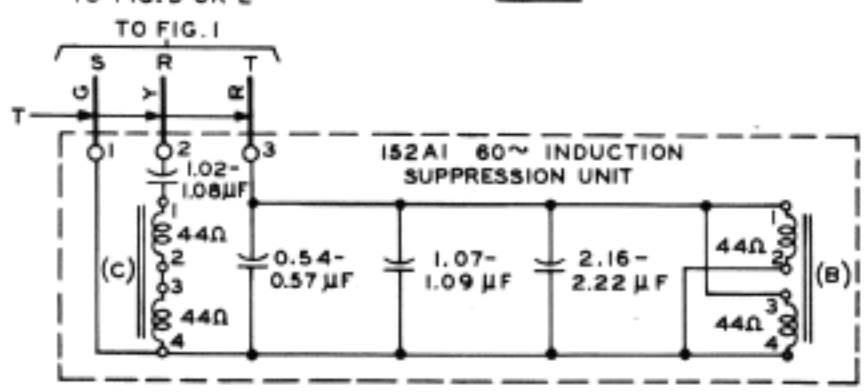
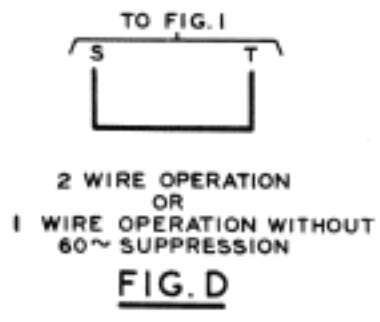


15 TTY CONSISTING OF:  
 15C BASE  
 15Y OR 15AA TYPING UNIT  
 15E37 KEYBOARD  
 15D, 15J OR 15L MOTOR

FIG. 2



LINE & TABLE CONNECTIONS  
 FIG. 1



1 WIRE OPERATION  
 WITH 60~  
 SUPPRESSION  
 FIG. E

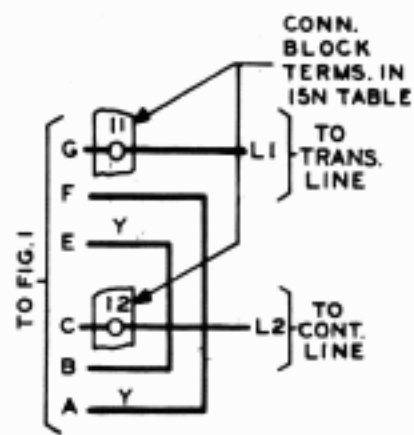
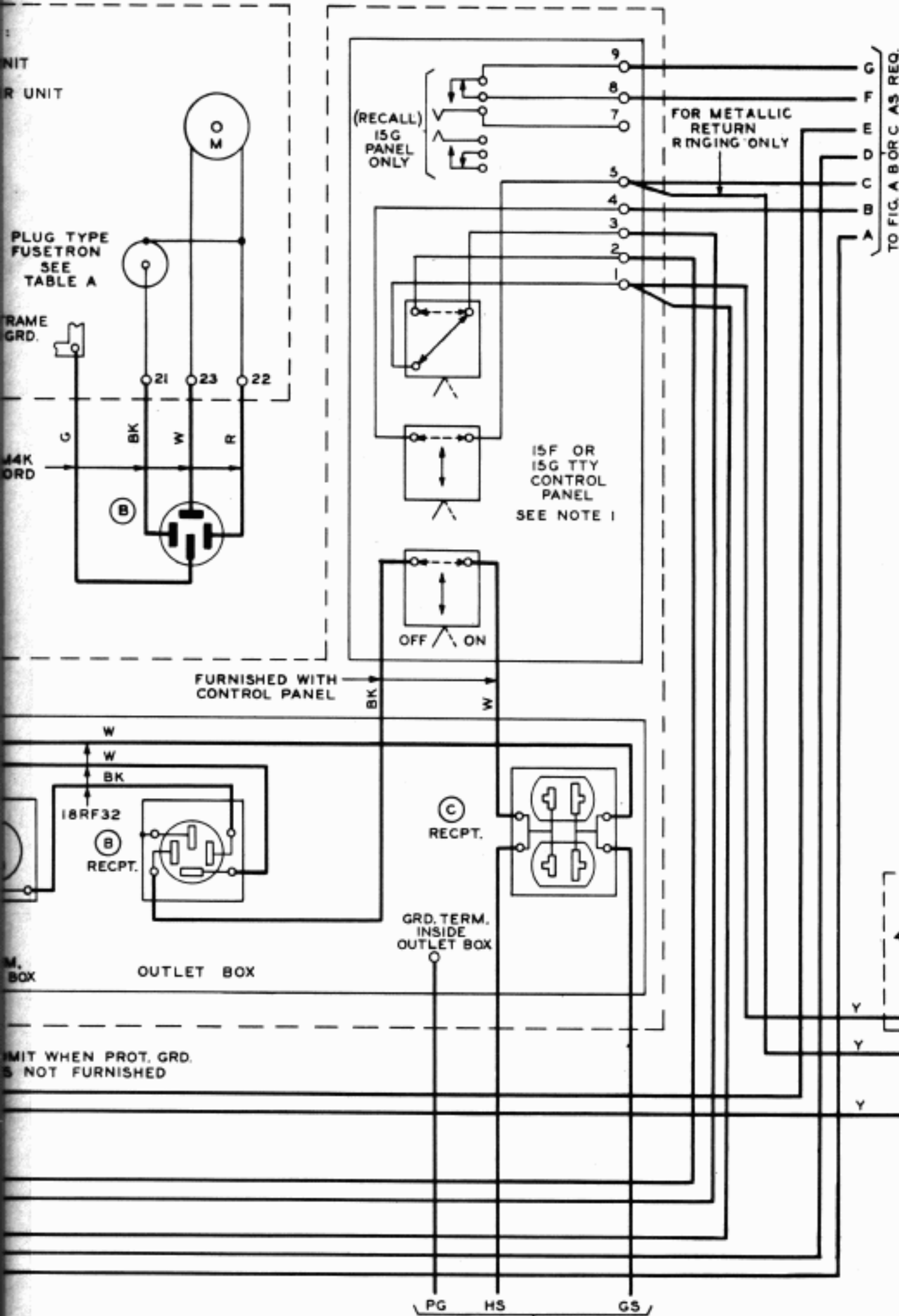
BELL SYSTEM PRACTICES  
TELETYPEWRITER STATIONS

SECTION P90.515  
ISSUE: 2 APRIL, 1958  
AT&TCO STANDARD

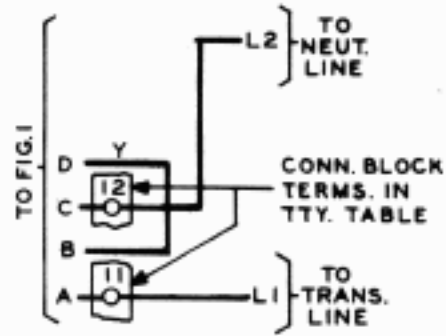
MOTOR	FUSETRON
A-C SYNCH	T3.2
A-C SER	T1.6

TABLE A

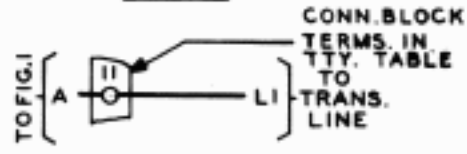
PLANS USED	
M2.24	



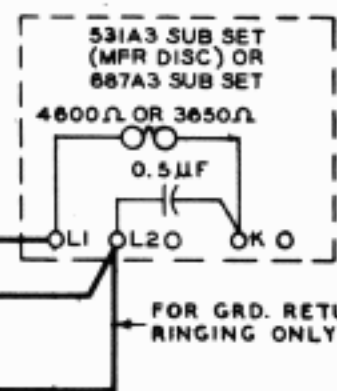
2 WIRE CIRCUIT  
MULTI-STATION OPERATION  
**FIG. A**



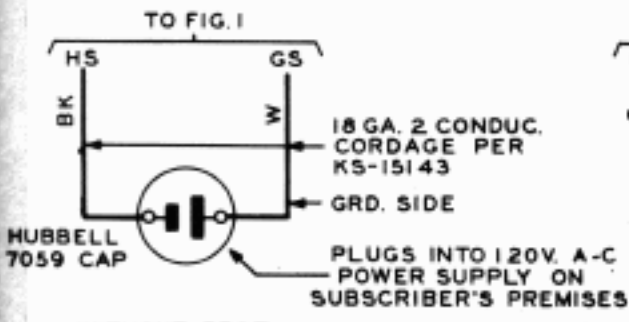
2 WIRE CIRCUIT  
SINGLE STATION OPERATION  
**FIG. B**



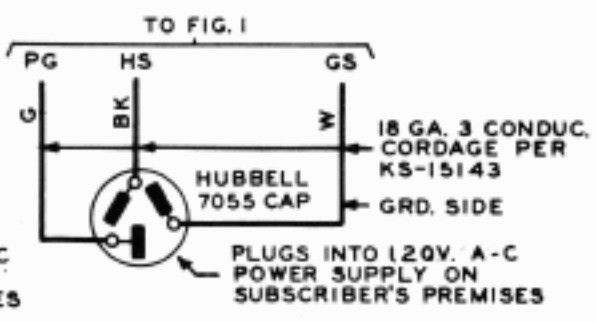
ONE WIRE CIRCUIT  
SINGLE OR MULTI-STATION  
OPERATION  
**FIG. C**



- NOTES:
1. REVERSE MIDDLE SWITCH IN MOUNTING STRAP SO THAT SWITCH WILL BE CLOSED WHEN THE LOWER SWITCH IS IN THE "ON" POSITION.
  2. ALL COLORED WIRES UNLESS OTHERWISE SPECIFIED ARE 22 GAUGE BROWN TYPE GS. STATION WIRE, PER AT&TCO SPEC. 7089.



WITHOUT PROT.  
GRD. CONN.  
**FIG. F**



WITH PROT.  
GRD. CONN.  
**FIG. G**

128C3 TTY SUB-SET  
ATTENDED TWX SERVICE  
15N TTY TABLE