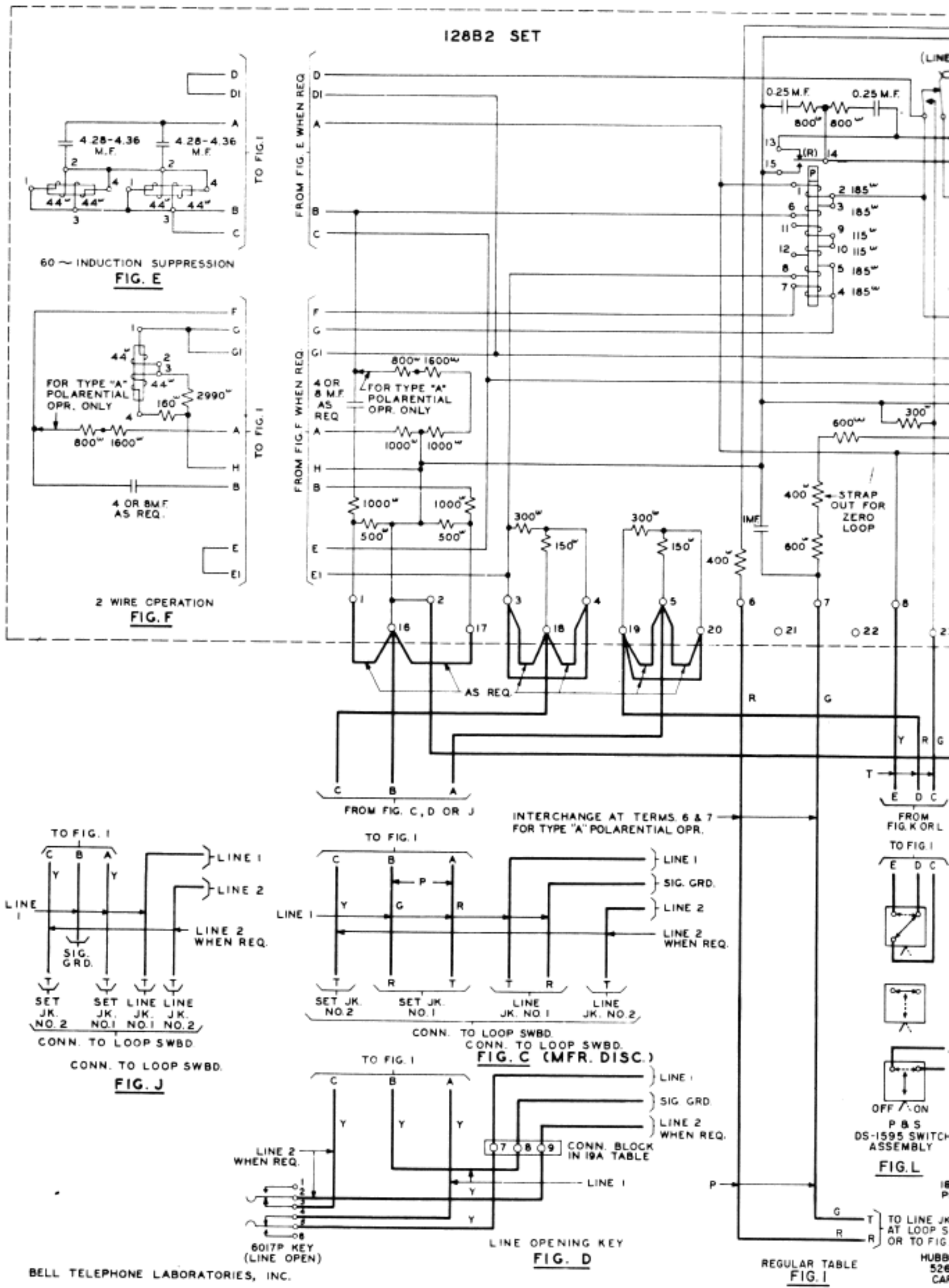
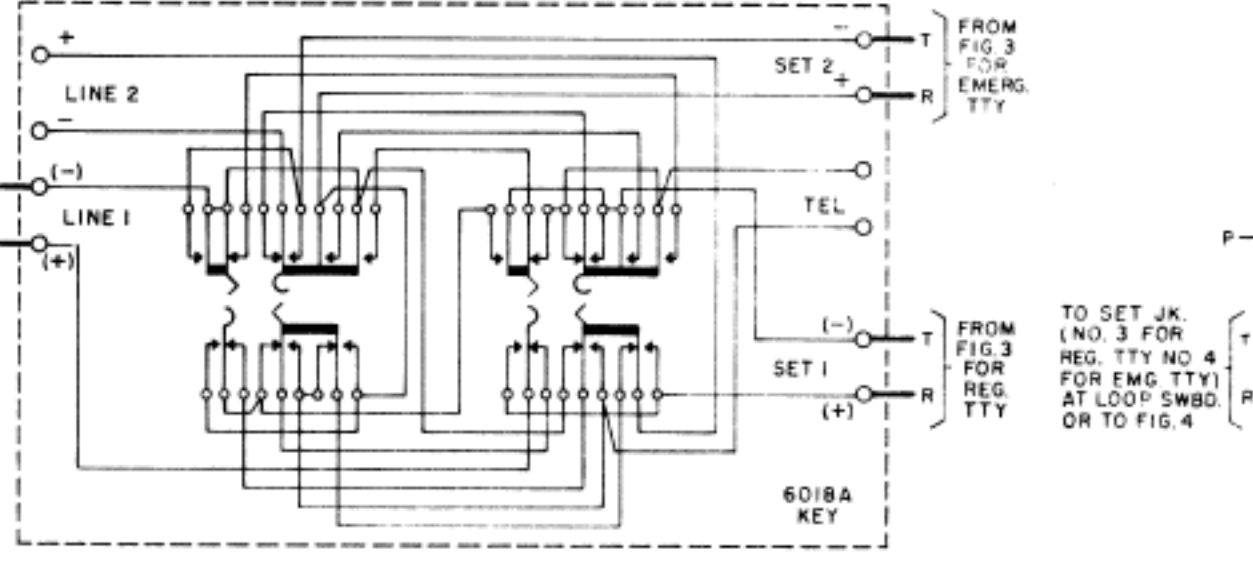
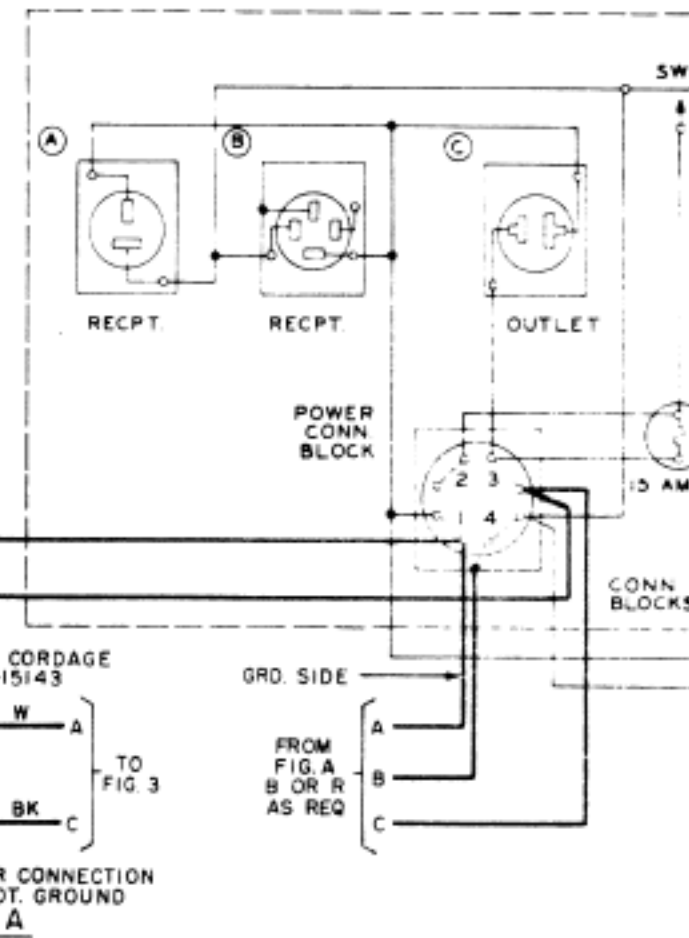
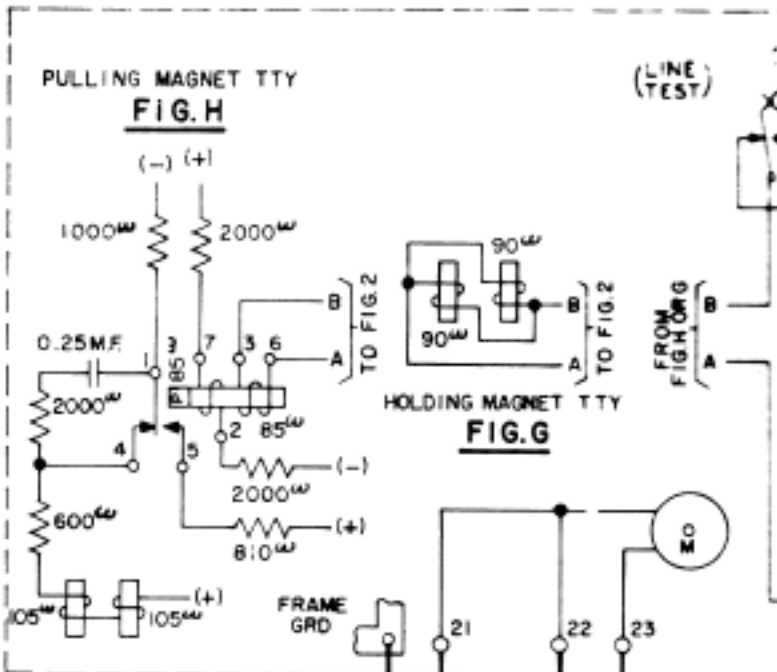
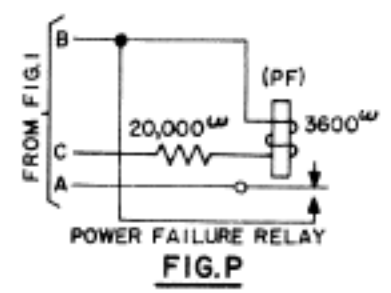
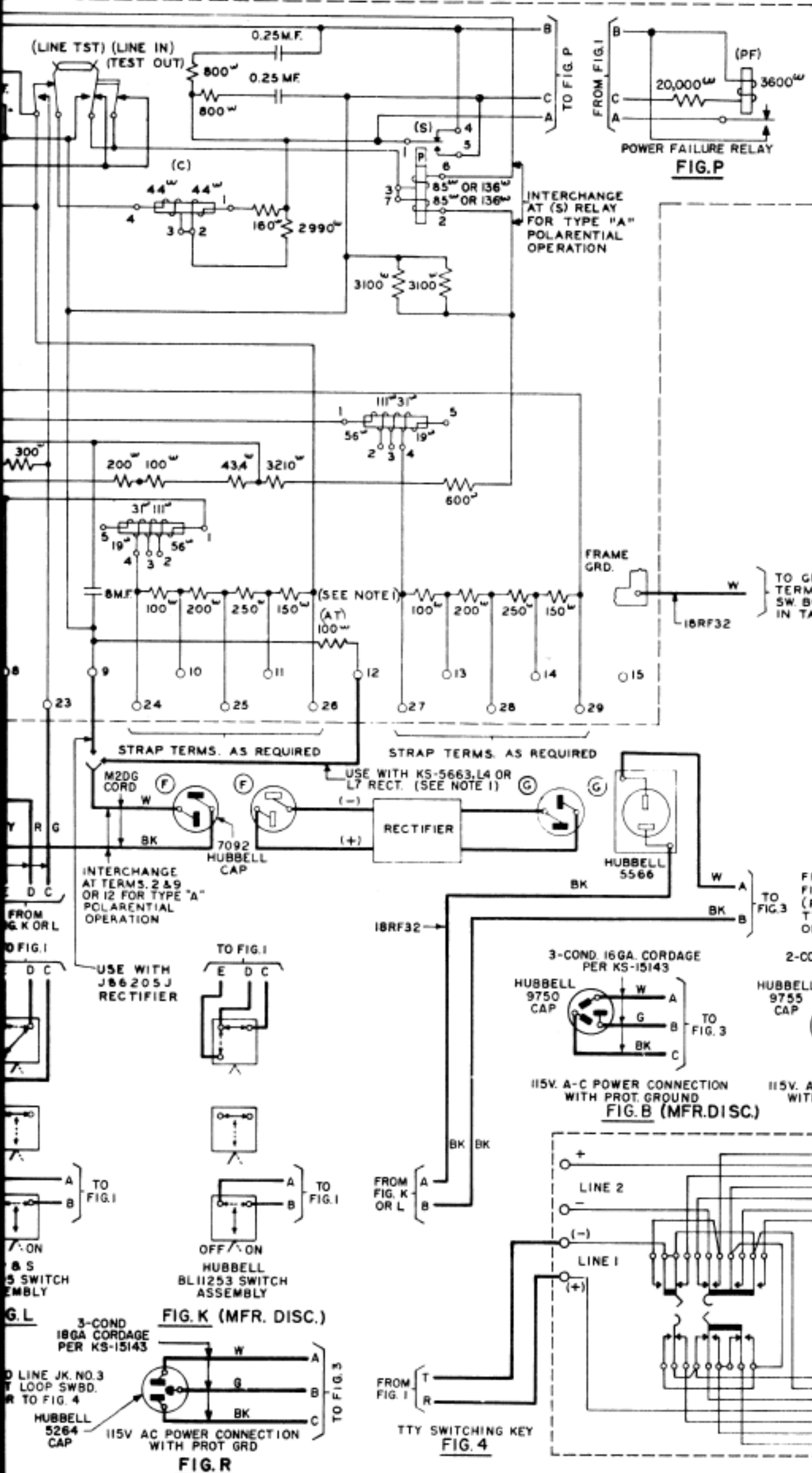
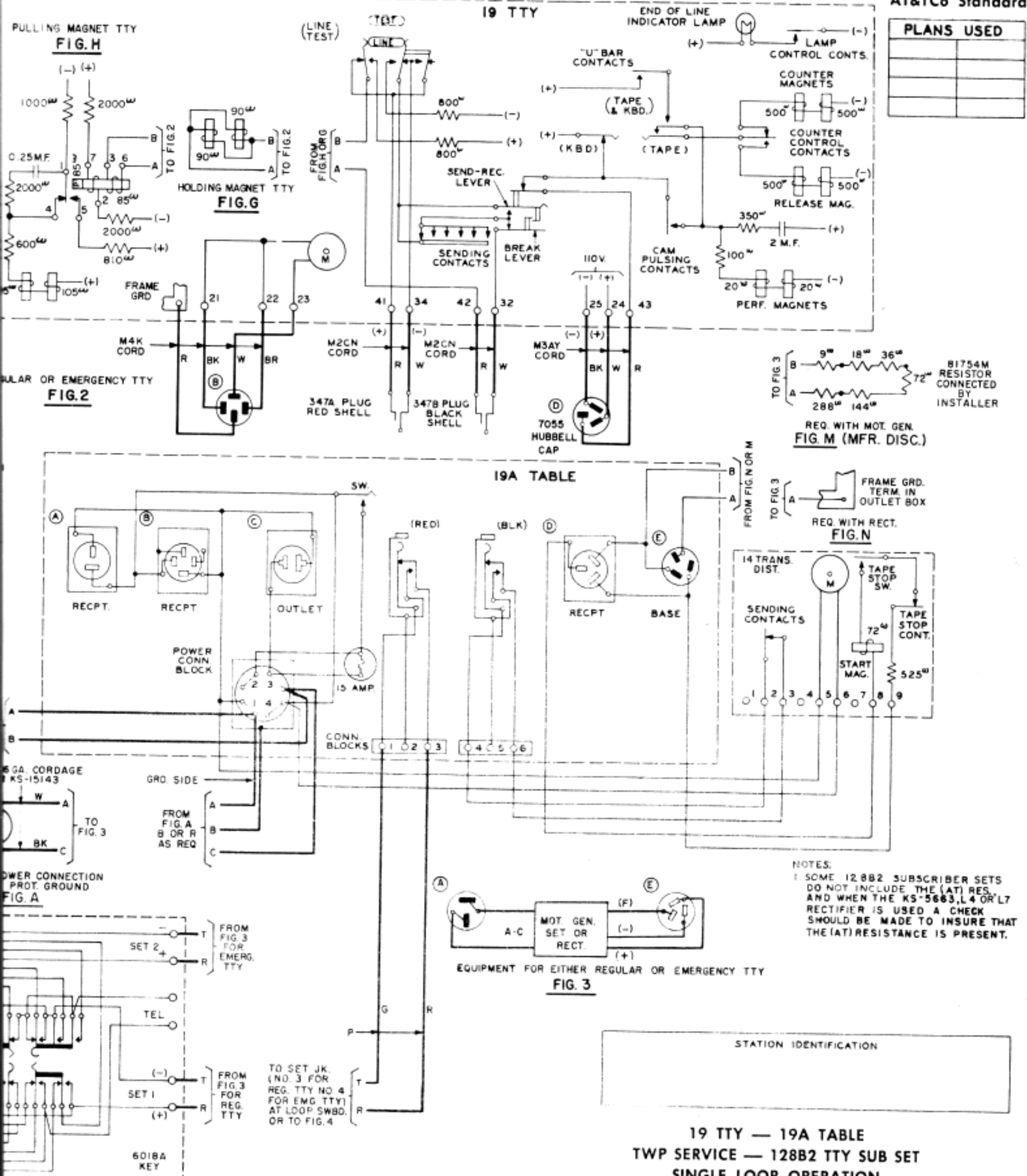


128B2 SET





PLANS USED	



TO FIG. 3
 9Ω 18Ω 36Ω
 288Ω 144Ω 72Ω
 B1754M RESISTOR CONNECTED BY INSTALLER
 REQ. WITH MOT. GEN. FIG. M (MFR. DISC.)

TO FIG. 3
 FRAME GRD. TERM. IN OUTLET BOX
 REQ. WITH RECT. FIG. N

NOTES:
 1. SOME 128B2 SUBSCRIBER SETS DO NOT INCLUDE THE (AT) RES. AND WHEN THE KS-5663, L4 OR L7 RECTIFIER IS USED A CHECK SHOULD BE MADE TO INSURE THAT THE (AT) RESISTANCE IS PRESENT.

19 TTY — 19A TABLE
 TWP SERVICE — 128B2 TTY SUB SET
 SINGLE LOOP OPERATION
 EMERGENCY TTY OPTIONAL