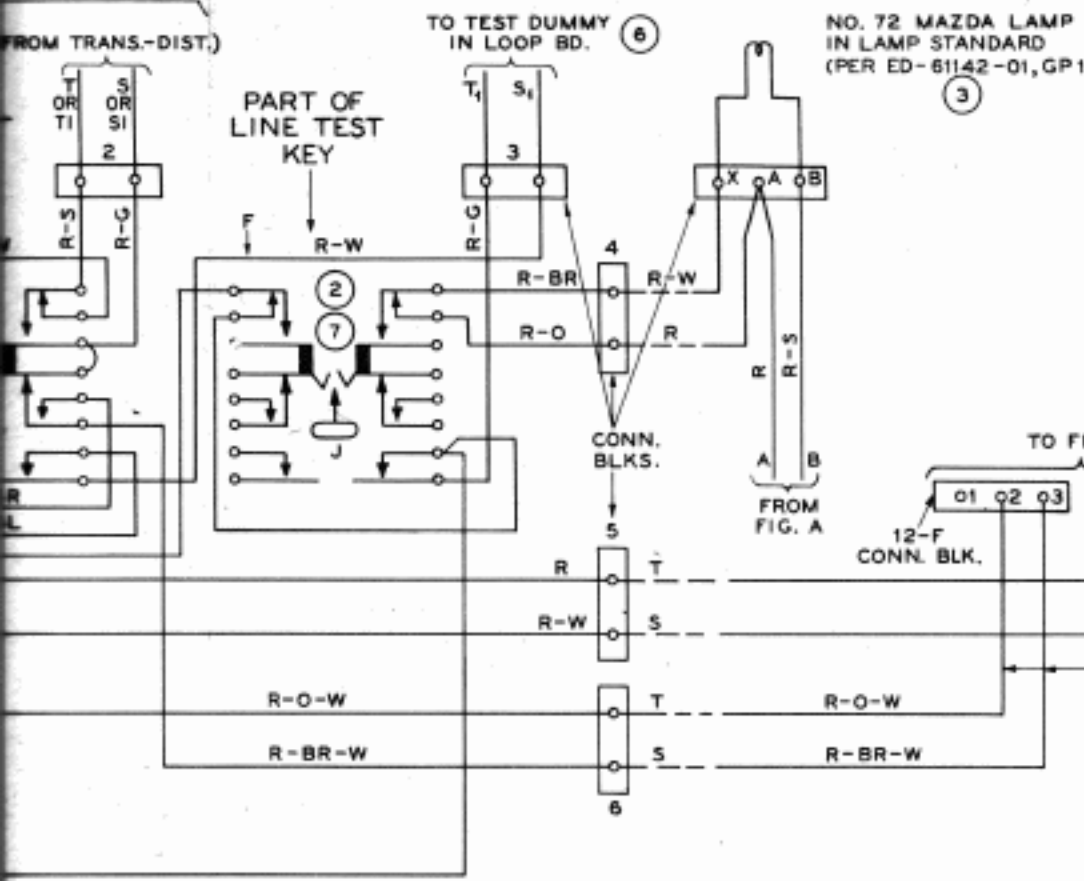
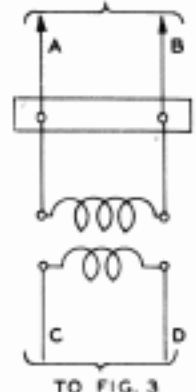


HARD IF CONNECTED TO A MISC. JACK

FROM TRANS.-DIST.)



TO FIGS 1 & 2



NO. 230-121 JEFFERSON OR 874 EDWARDS TRANSFORMER (110 V-6-12-18V)

FIG. A

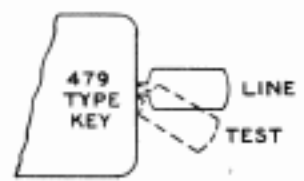
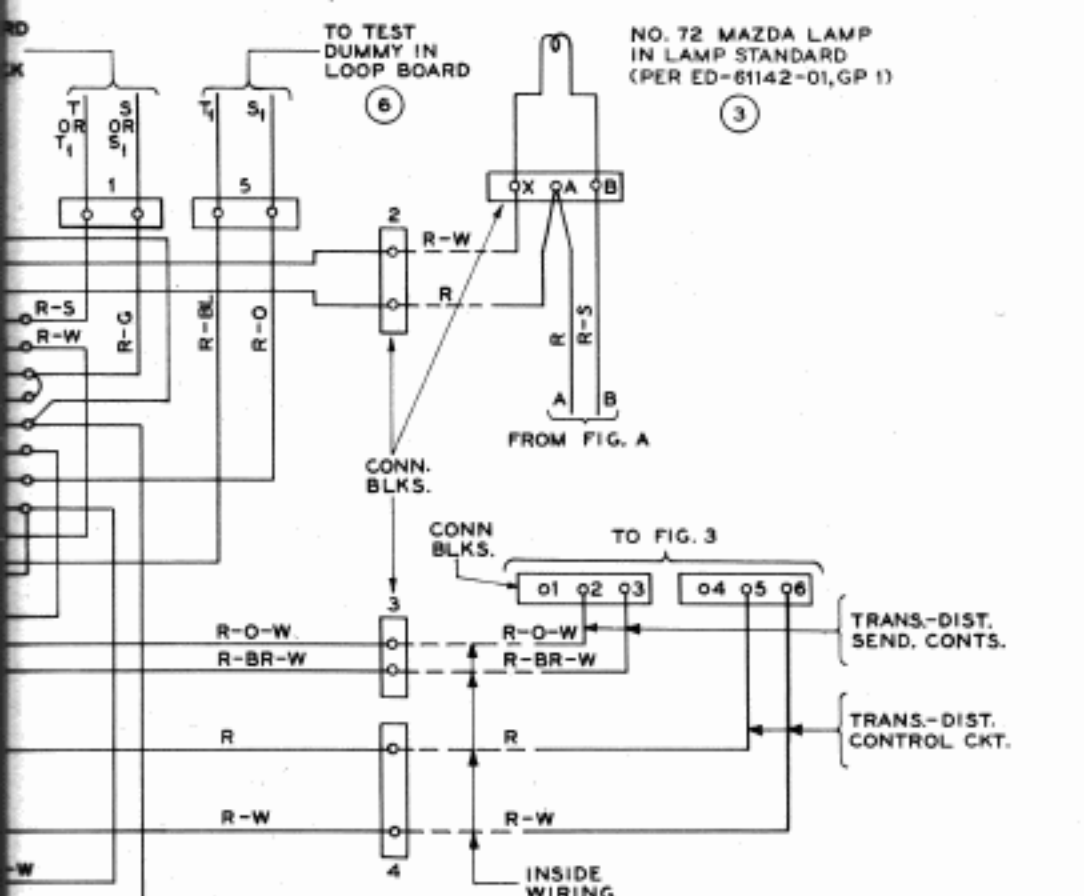


FIG. B

TABLE ONLY) (1)

1 S.R. TTY

XT-39 OR XT 201** PERFORATOR TABLE B TP 79416 SHELF



XT-39 OR XT 201** PERFORATOR TABLE B TP 79416 SHELF

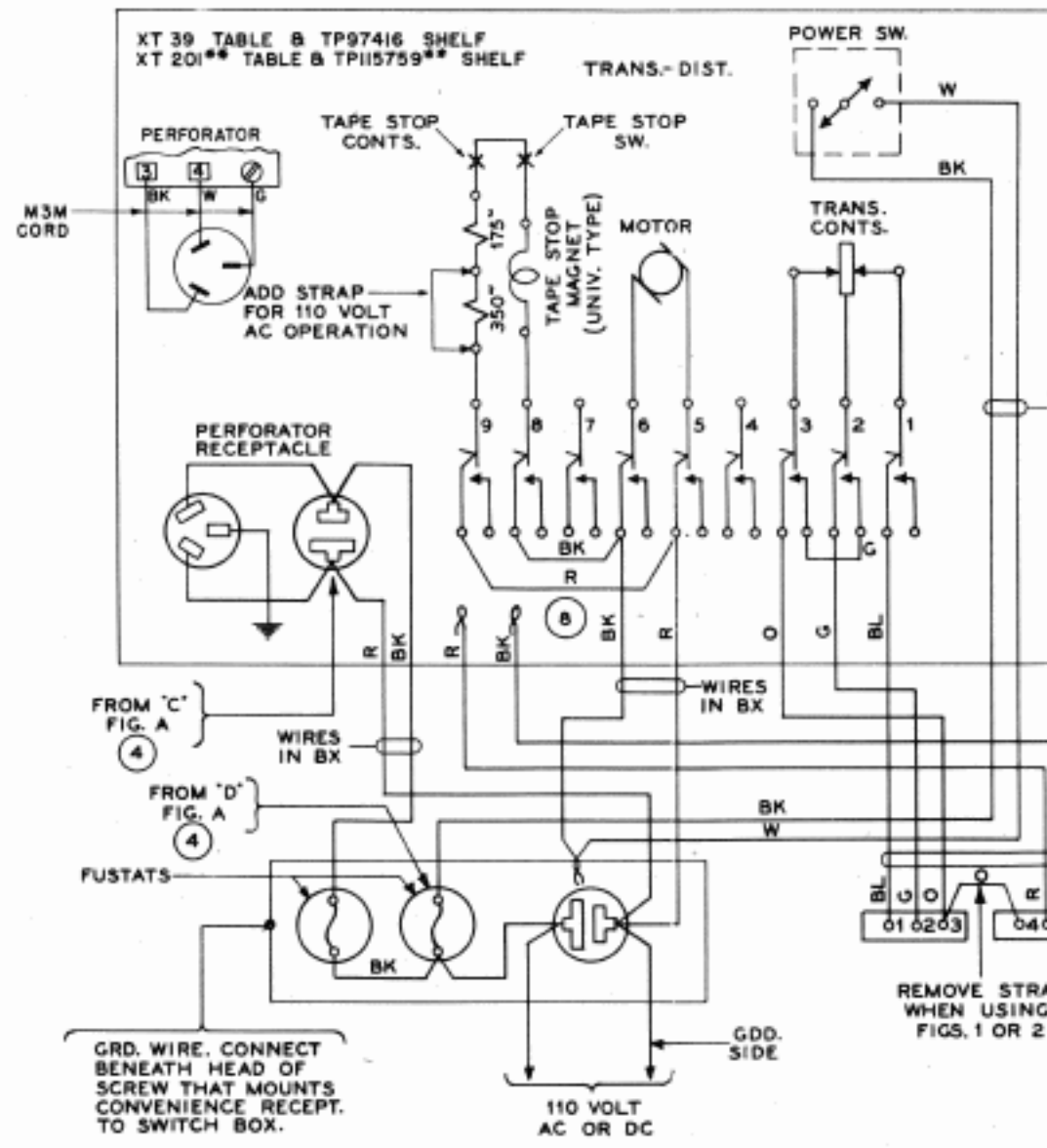
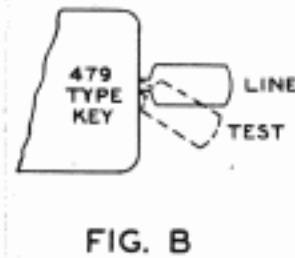
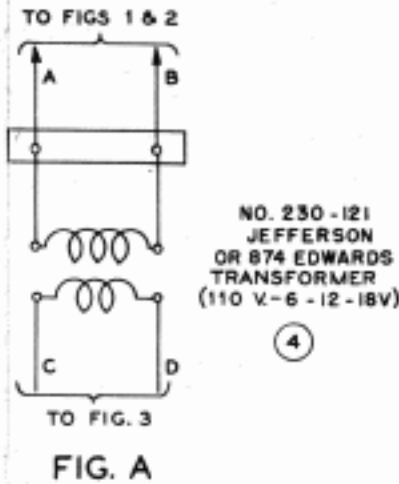


FIG. 3 20 TRANS DIST. 6 UNIT PERFORATOR

Garden City



CHANGES
 ISSUE G - ADDED FIG. C, D, E, F & G
 ISSUE H - CHANGED TITLE AND ADDED NOTE**
 ISSUE I - CORRECTED CORD MAKE UPS
 ARRANGED FOR ONE TRANSFORMER
 PER SIGNAL LAMP.

NOTES

- WIRES NOT OTHERWISE SPECIFIED ARE 22 GA.-DSCL.
- ① CONTAINED IN A 105-A APPARATUS BOX ON A 682-A MTG. PLATE PER ITEM 2. MOUNT UNDERNEATH SHELF.
 - ② LINE TEST KEY MADE UP OF A 479-FR KEY IN 6017 KEY BOX.
 - ③ ON XT-39 OR XT 201 TABLE
 - ④ MOUNT TRANSFORMER IN REAR OF PERFORATOR TABLE AND CONNECT PRIMARY SIDE TO POINTS INDICATED. USE 18 V. TAP. (ONE TRANSFORMER FOR EACH LAMP).
 - ⑤ EQUIP KSR TTY WITH A P-356557 PLUNGER.
 - ⑥ STRAP "T" AND "S": CONNECT LINE TEST KEY TO "t" AND "s".
 - ⑦ MOUNT BACK TO FRONT AND TIE LEVERS TOGETHER WITH A P-423465 GROUPING BAR.
 - ⑧ WHEN USING FIGS. 1 OR 2, REMOVE RED STRAP BETWEEN TERMS. 9 AND 5, CONNECT RED AND BLACK WIRES FROM CONN. BLK. TERMS. 5 AND 6 TO TRANS.-DIST. TERMS. 9 AND 5 RESPECTIVELY.
 - ⑨ USE 6017B KEY & X WIRING ONLY WHEN SPECIFIED
 - ⑩ USE A TP17306 (* *) FRONT COVER PLATE OR APPLY FIG. G.
 - ⑪ SEE FIGS. C, D, E & F FOR CURRENT POWER CONNECTIONS TO TABLE (P PLANS) AND POWER CONNECTIONS TO TTY (PM PLANS) ONLY.
- ** AA-BLACK WRINKLE AC-LIGHT BROWN WRINKLE
 AB-GRAY GREEN WRINKLE AD-DARK BROWN WRINKLE

OPERATING PROCEDURE

LINE CONDITION OF 479FR KEY (AS SHOWN)

TRANS.-DIST. AND TTY LINE IS CONNECTED TO THE LOOP (SEPARATE LINES IN FIG. 1). TRANS.-DIST. AND TTY LINES OF FIG. 1 MAY BE CONNECTED TO LOOPS AS INDIVIDUAL UNITS BY MEANS OF PATCH CORDS. IN FIG. 2 THESE TWO UNITS ARE CONNECTED AS ONE UNIT. THE LAMP SIGNAL OPERATES. THE TEST DUMMY IS MADE INOPERATIVE.

TEST CONDITION OF 479FR KEY

THE LOOPS ARE SHORT CIRCUITED. THE LINES OF TRANS.-DIST. AND TTY ARE CONNECTED IN SERIES THROUGH THE TEST DUMMY CIRCUIT ON WHICH BATTERY IS NOW APPLIED. ANY OTHER SENDING OR RECEIVING UNIT MAY BE CONNECTED TO THE TEST DUMMY BY MEANS OF PATCH CORDS.

6017-B KEY (FIG. 1)

OPERATION OF THIS KEY WILL PERMIT A BREAK SIGNAL RECEIVED BY THE TTY TO STOP THE ASSOCIATED TRANS.-DIST.

TRANS.-DIST. CONTROL CKT.
 -DIST. CONTS.

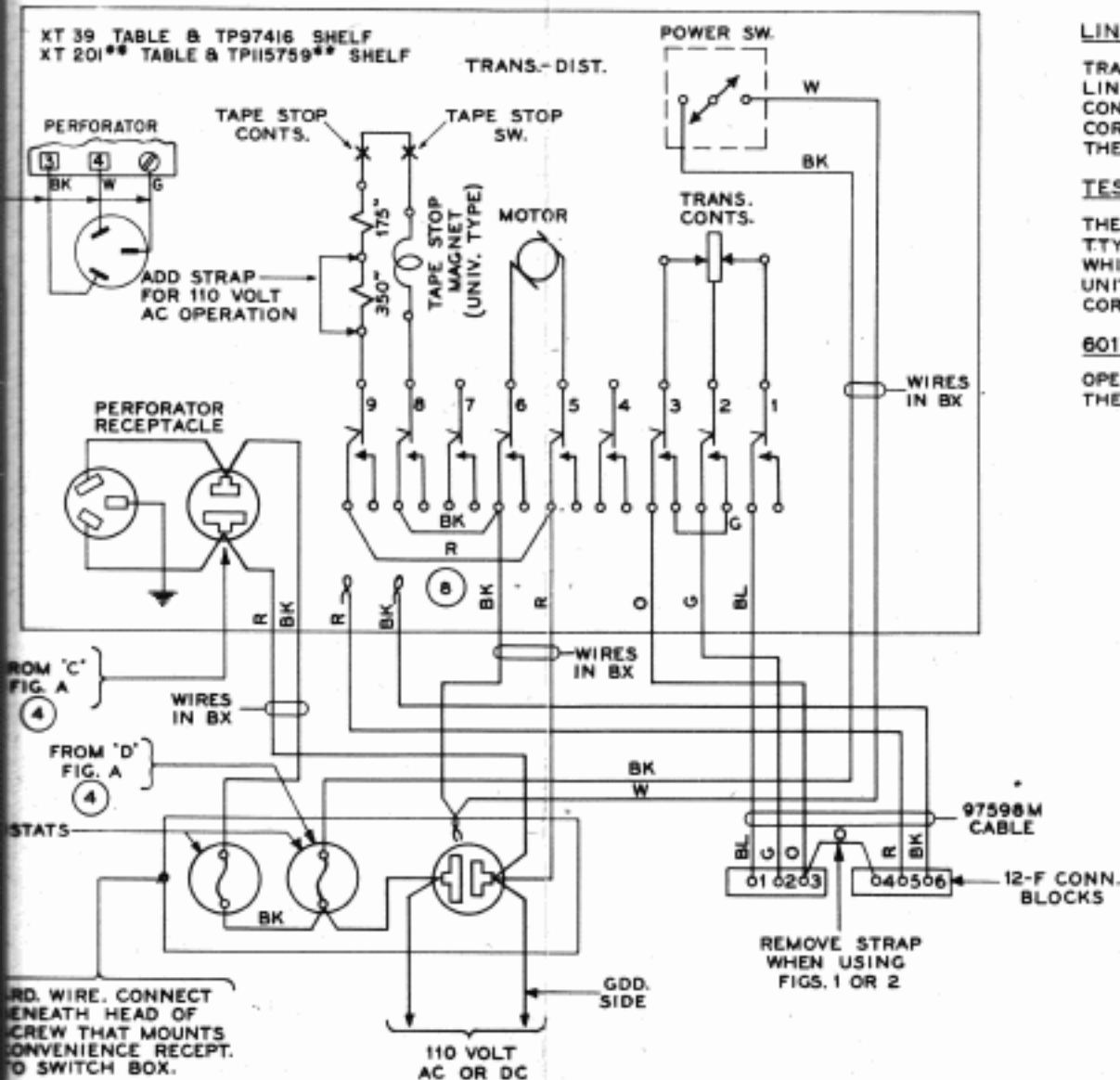
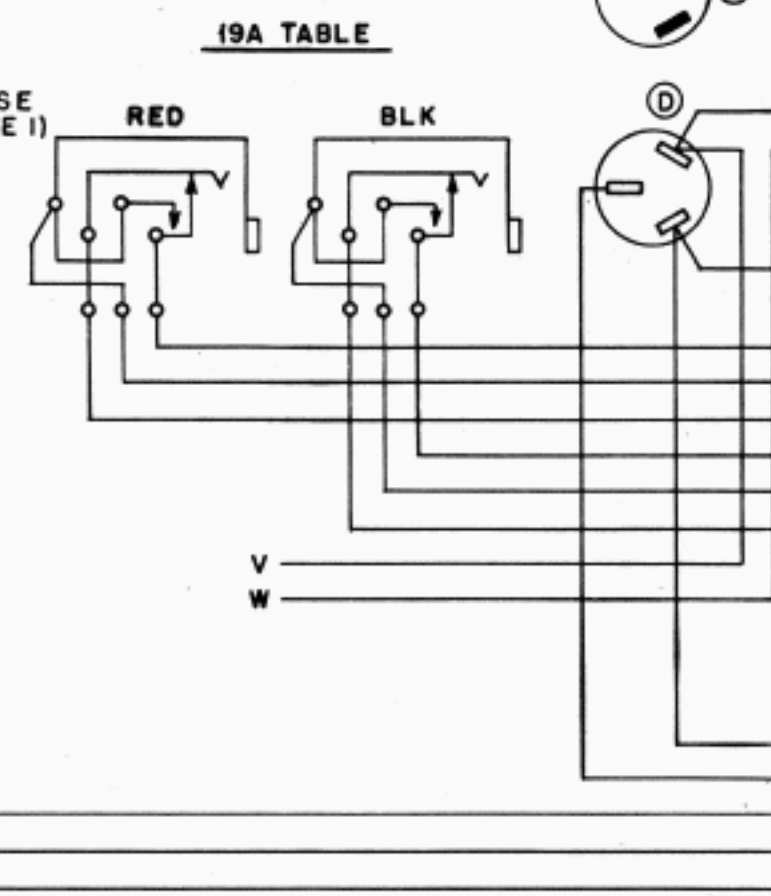
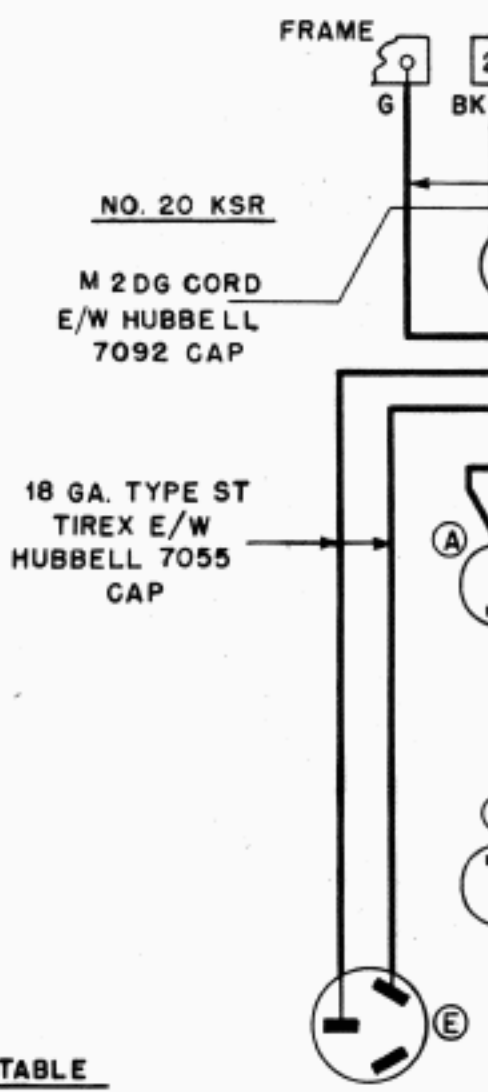
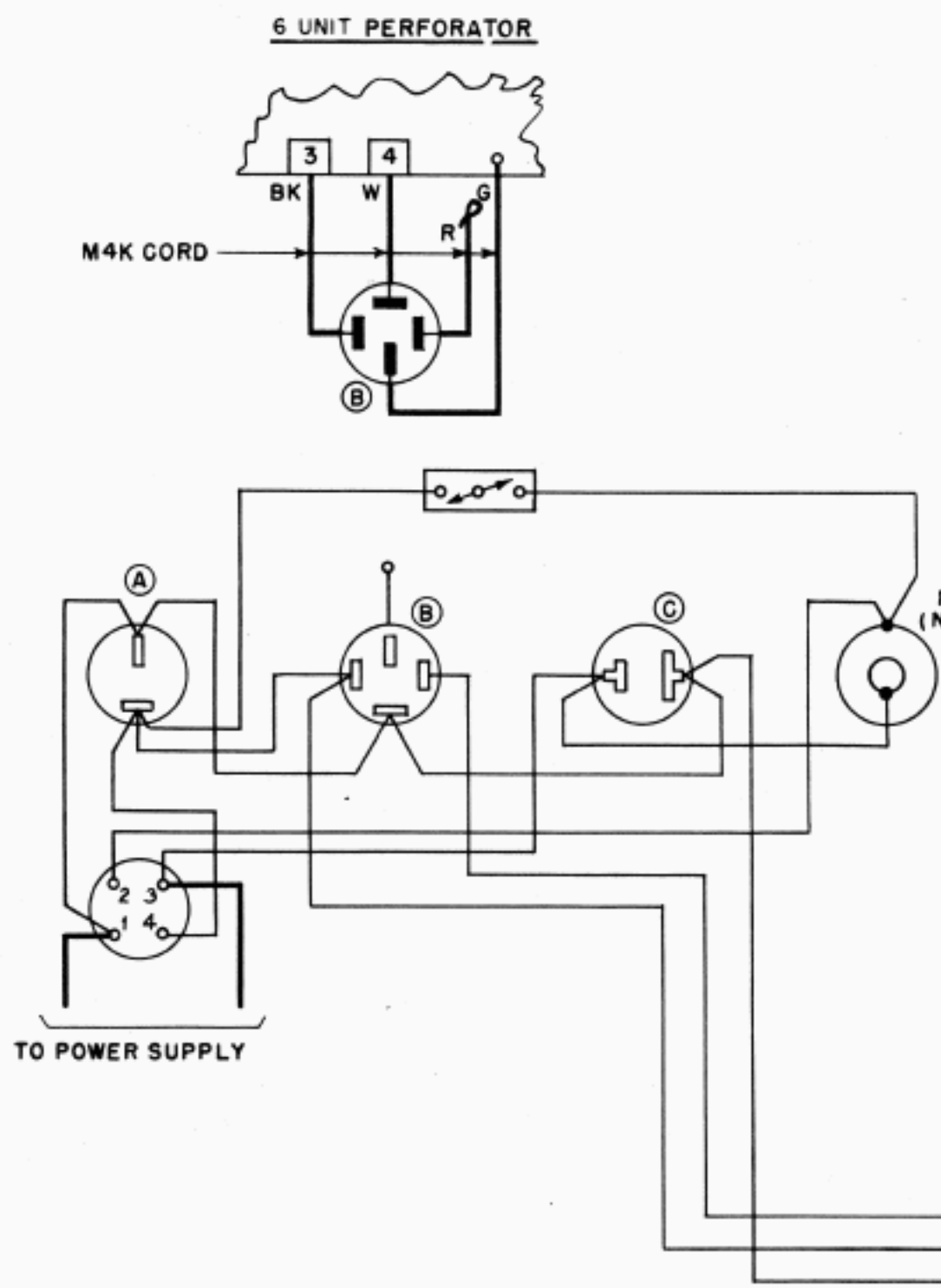
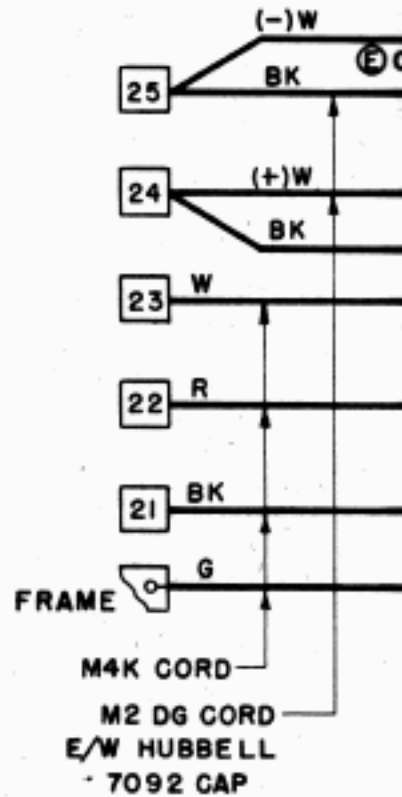
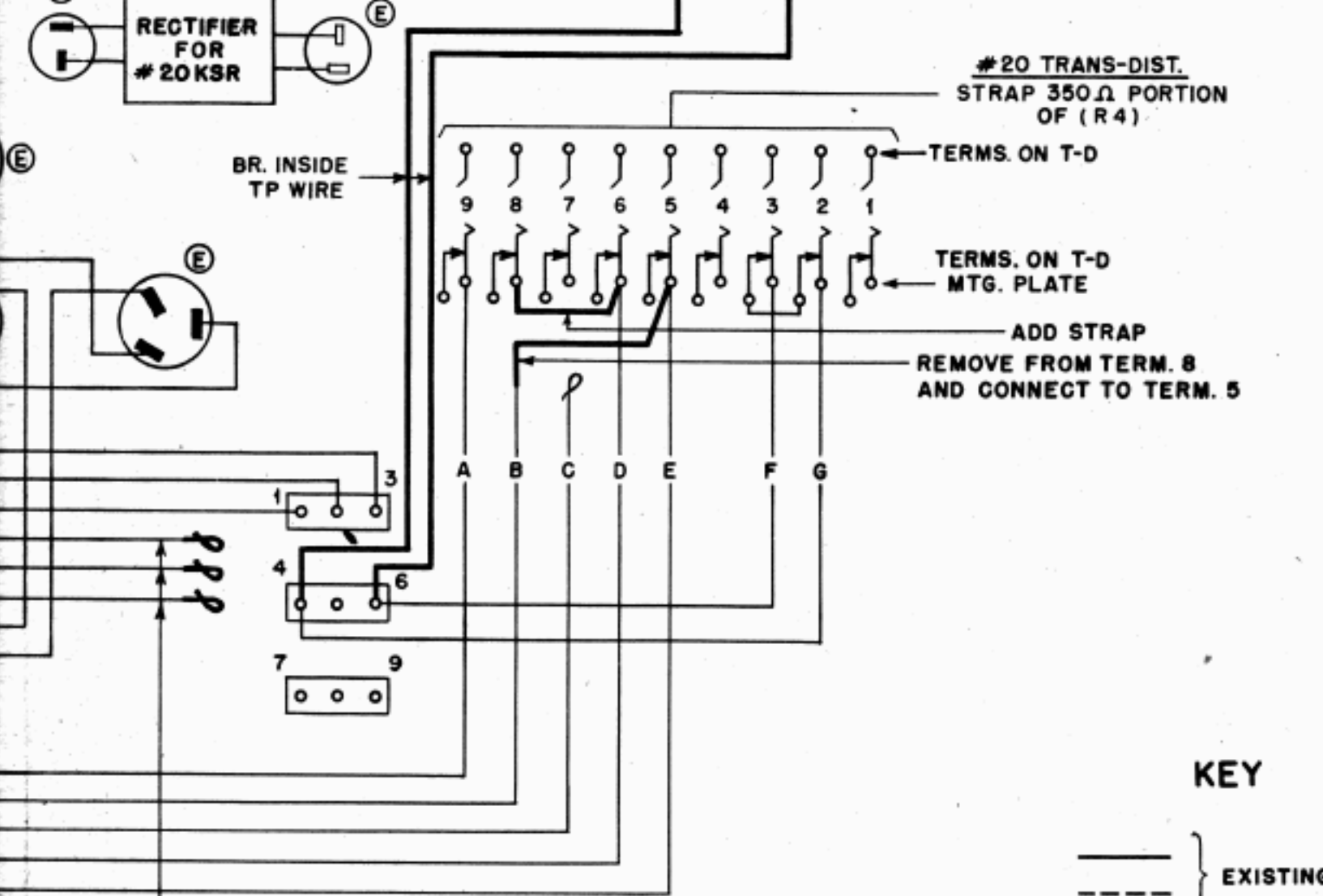
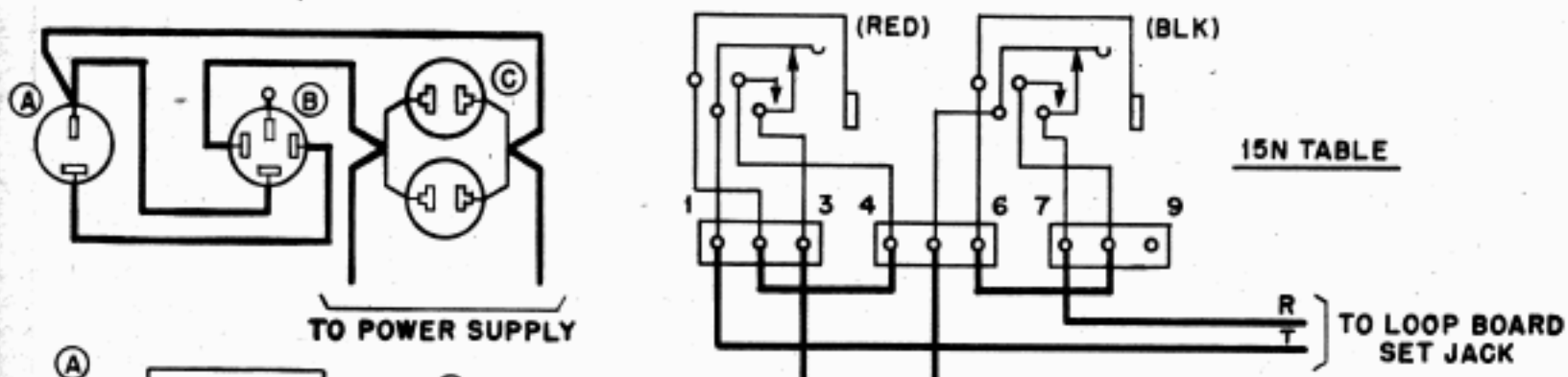
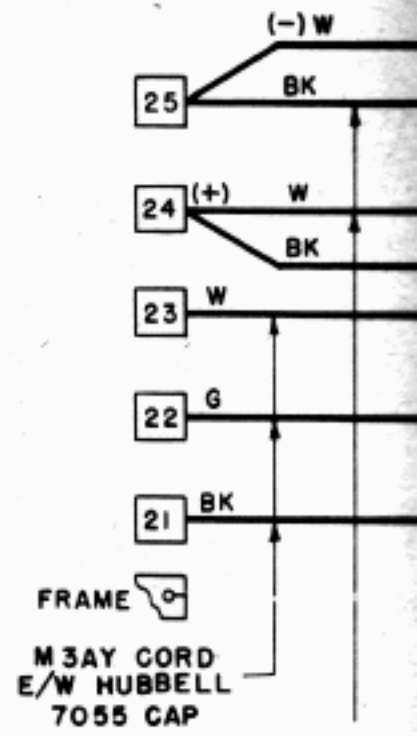
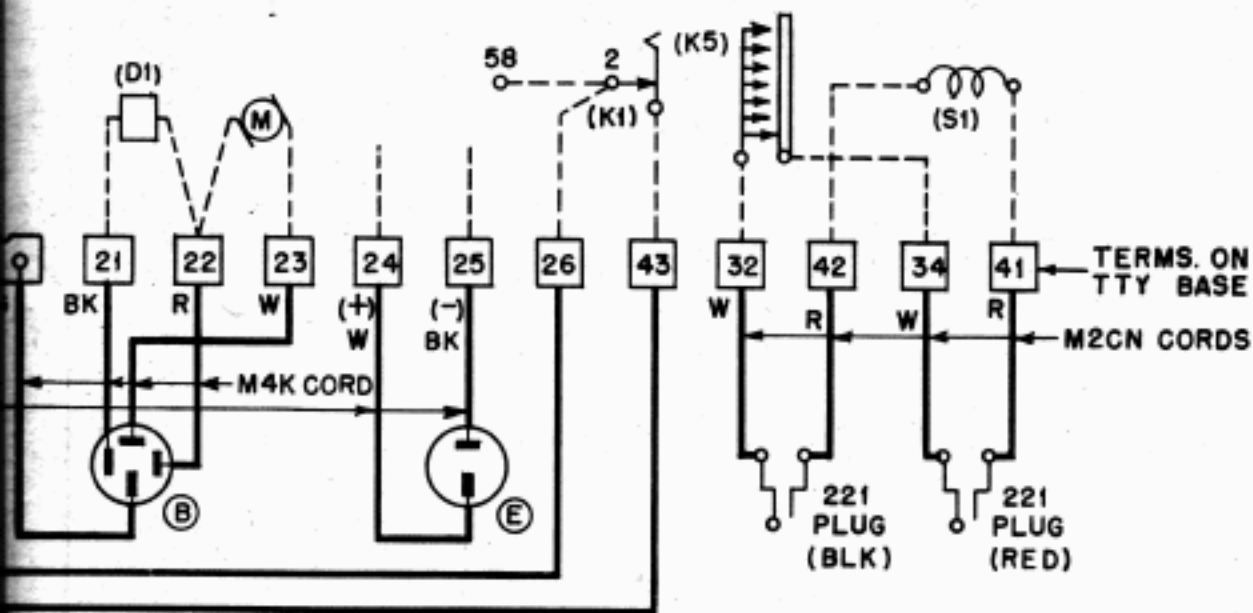


FIG. 3
 20 TRANS. DIST.
 &
 6 UNIT PERFORATOR

NO. 20 TELETYPEWRITER
 6 UNIT PERFORATOR & NO. 20 TRANS.-DIST
 ON XT 39, XT 201** OR 19A TTY TABLE AND NO. 20KSR
 ON 15A, 15N, 15P OR XRT 200** TTY TABLE





KEY

- EXISTING WIRES
- ADDED OR CHANGED WIRES
- REMOVED WIRE

REMOVE & TAPE SEPARATELY

M3AY
E/W
7055
M2
E/W
7092

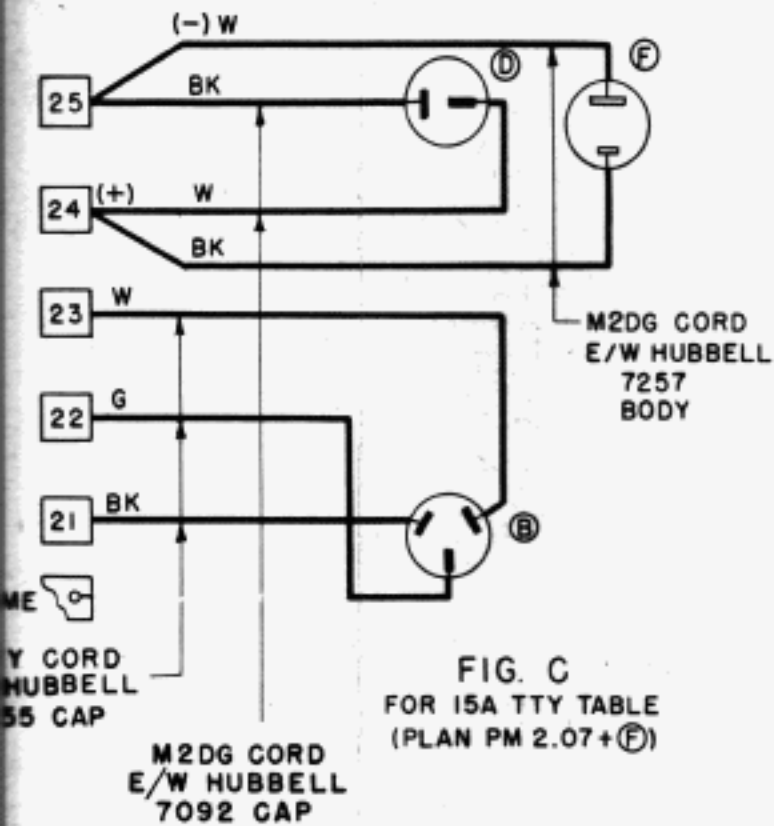


FIG. C
 FOR 15A TTY TABLE
 (PLAN PM 2.07 + (E))

TO 15A TABLE WIRED
 PER PLAN P3.02
 AND TO FIG. F

TO FIG.
 G, D, OR E

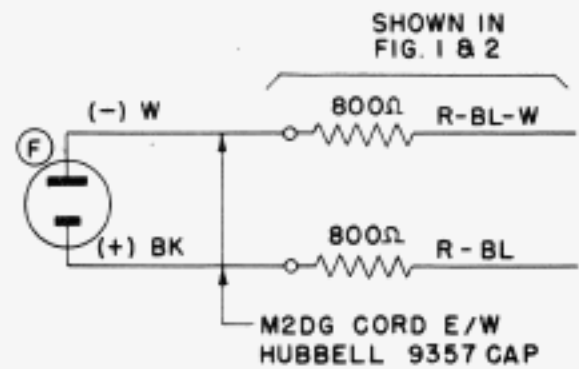


FIG. F
 CONNECTIONS FOR TEST BATTERY

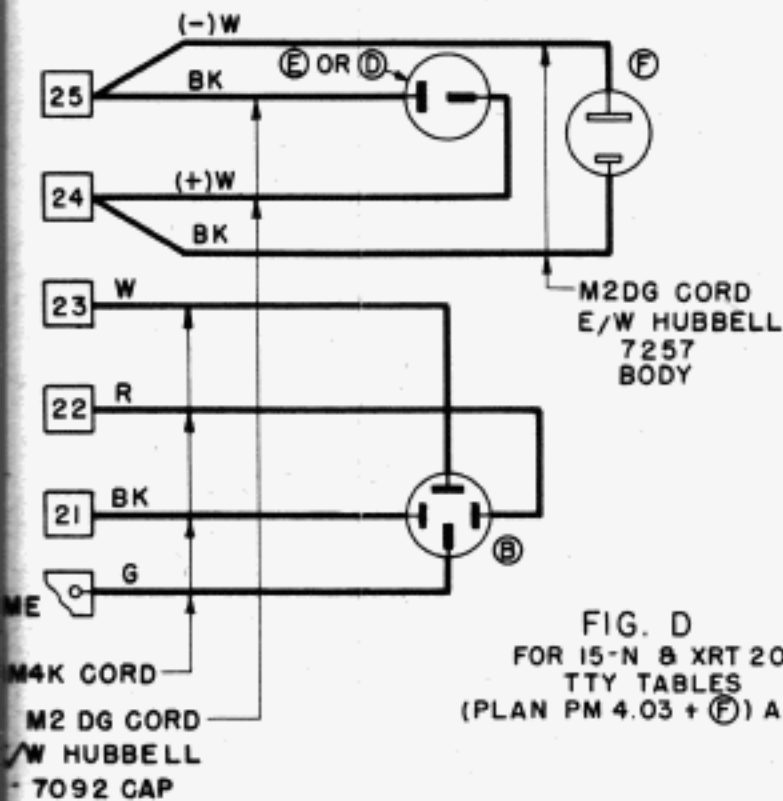
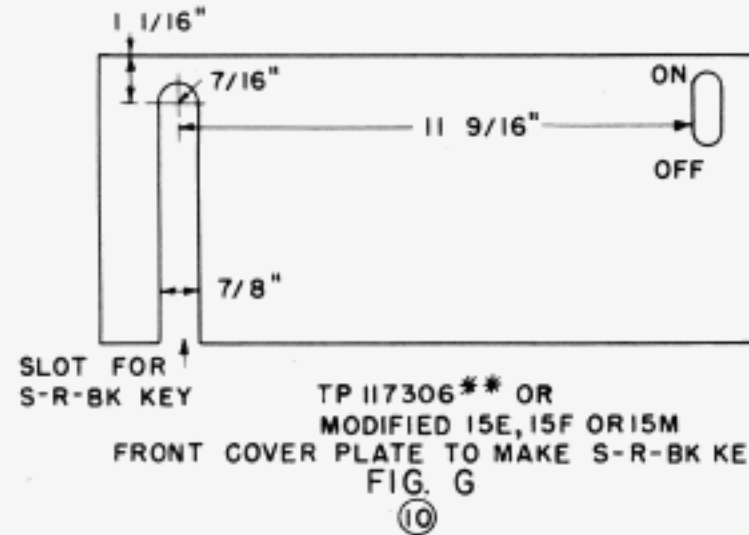


FIG. D
 FOR 15-N & XRT 200**
 TTY TABLES
 (PLAN PM 4.03 + (E)) AND BSP P96.019

TO 15N TABLE WIRED
 PER PLAN P5.02
 AND TO FIG. F
 OR TO
 XRT 200** TABLE WITH
 TP 117852ELEC. ASSEMBLY
 WIRED PER BSP P96.019
 AND TO FIG. F



NOTES
 1. PROVIDE FUSING FOR TRANS
 AND PERFORATOR. USE 15TT
 FOR THE PERFORATOR.

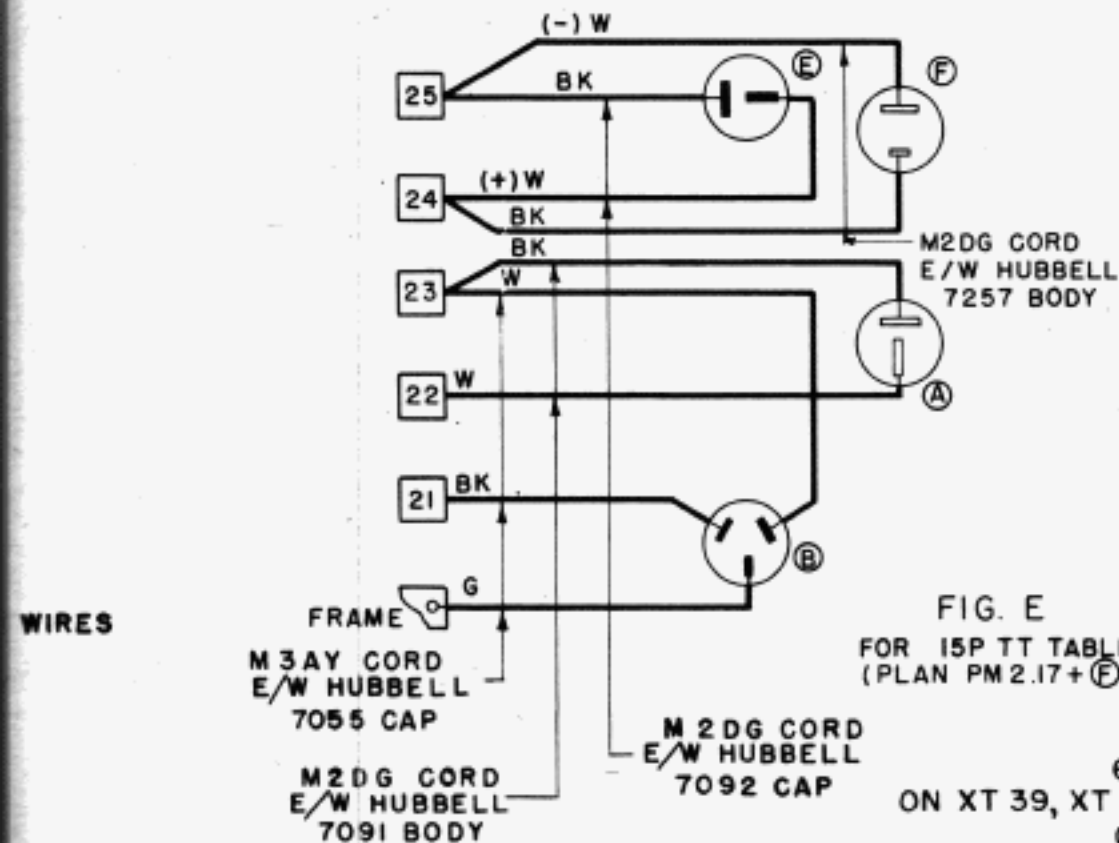


FIG. E
 FOR 15P TT TABLE
 (PLAN PM 2.17 + (E))

TO 15P TABLE WIRED
 PER PLAN P2.02
 AND TO FIG. F

NO. 20 TELETYPEWRITER
 6 UNIT PERFORATOR & NO. 20 TRANS-DIST
 ON XT 39, XT 201** OR 19A TTY TABLE AND NO. 20KSR
 ON 15A, 15N, 15P OR XRT 200** TTY TABLE

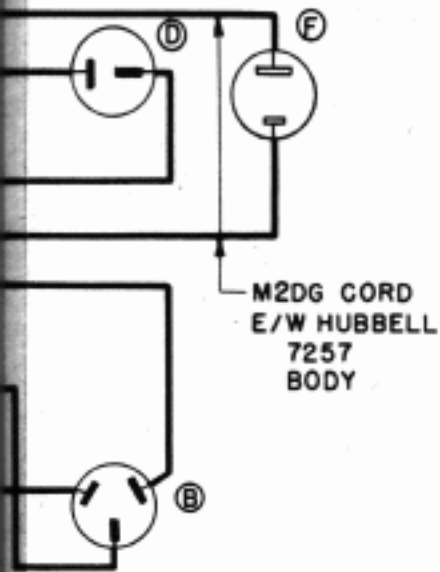


FIG. C
 FOR 15A TTY TABLE
 (PLAN PM 2.07+(F))

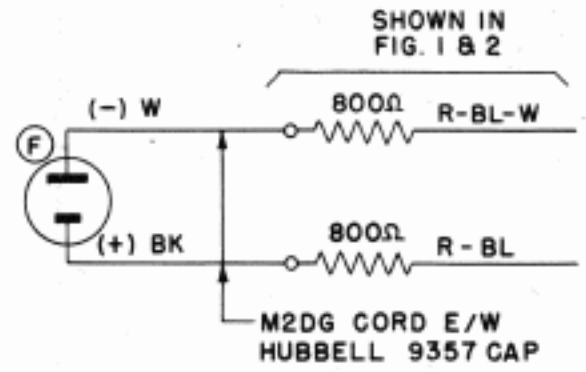


FIG. F
 CONNECTIONS FOR TEST BATTERY

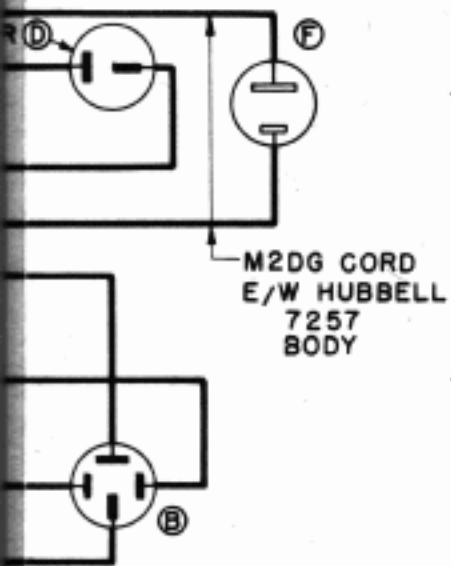
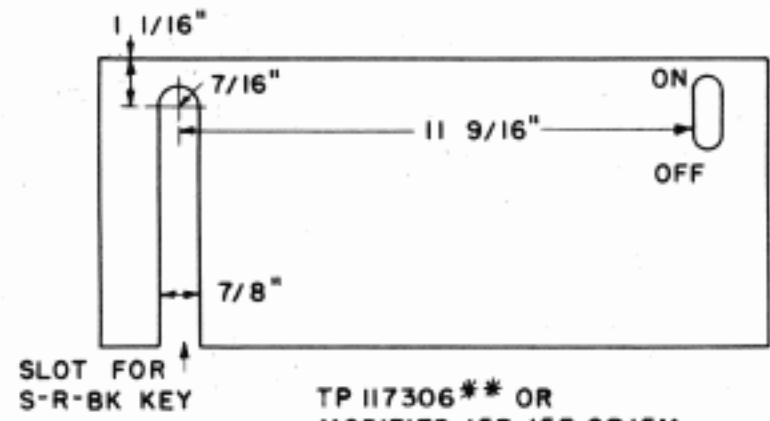


FIG. D
 FOR 15-N & XRT 200**
 TTY TABLES
 (PLAN PM 4.03+(F)) AND BSP P96.019



TP 117306** OR MODIFIED 15E, 15F OR 15M
 FRONT COVER PLATE TO MAKE S-R-BK KEY ACCESSIBLE
 FIG. G
 (10)

NOTES

1. PROVIDE FUSING FOR TRANS-DIST AND PERFORATOR. USE 15TTY DATA FOR THE PERFORATOR.

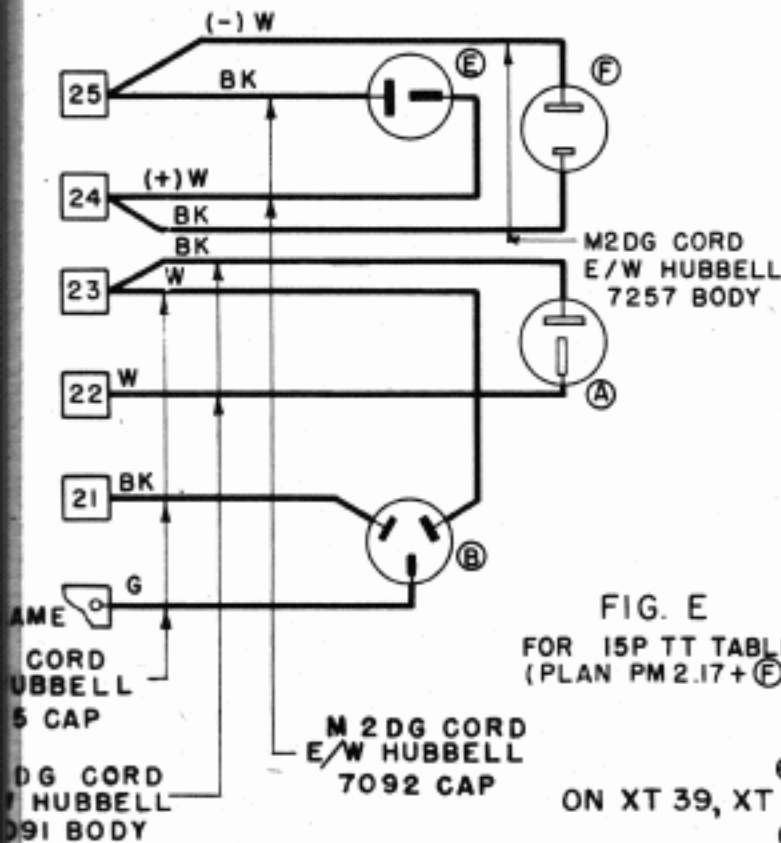


FIG. E
 FOR 15P TT TABLE
 (PLAN PM 2.17+(F))

TO 15P TABLE WIRED PER PLAN P2.02 AND TO FIG. F

NO. 20 TELETYPEWRITER

6 UNIT PERFORATOR & NO. 20 TRANS-DIST
 ON XT 39, XT 201** OR 19A TTY TABLE AND NO. 20KSR
 ON 15A, 15N, 15P OR XRT 200** TTY TABLE