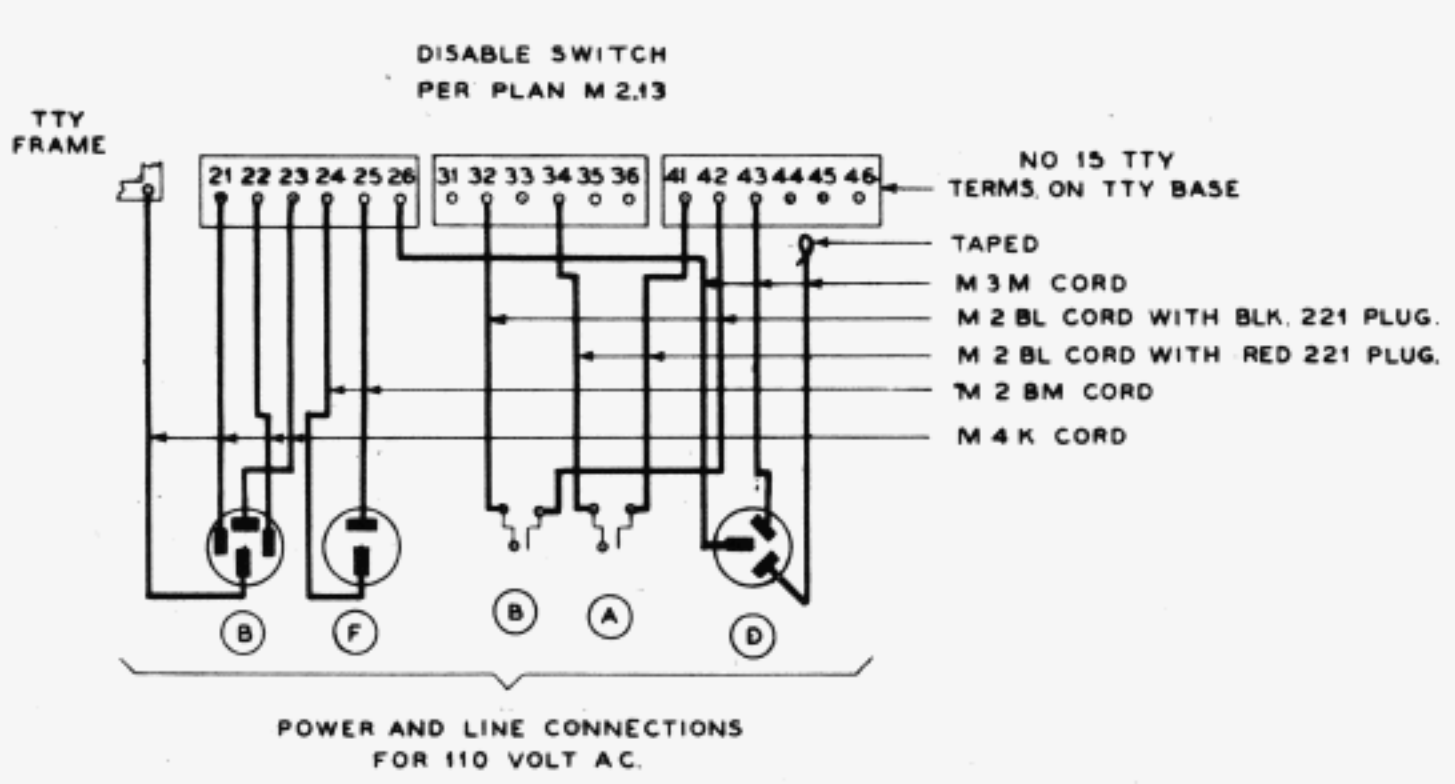
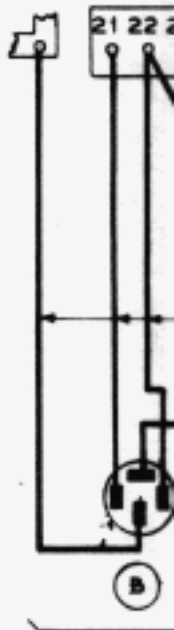


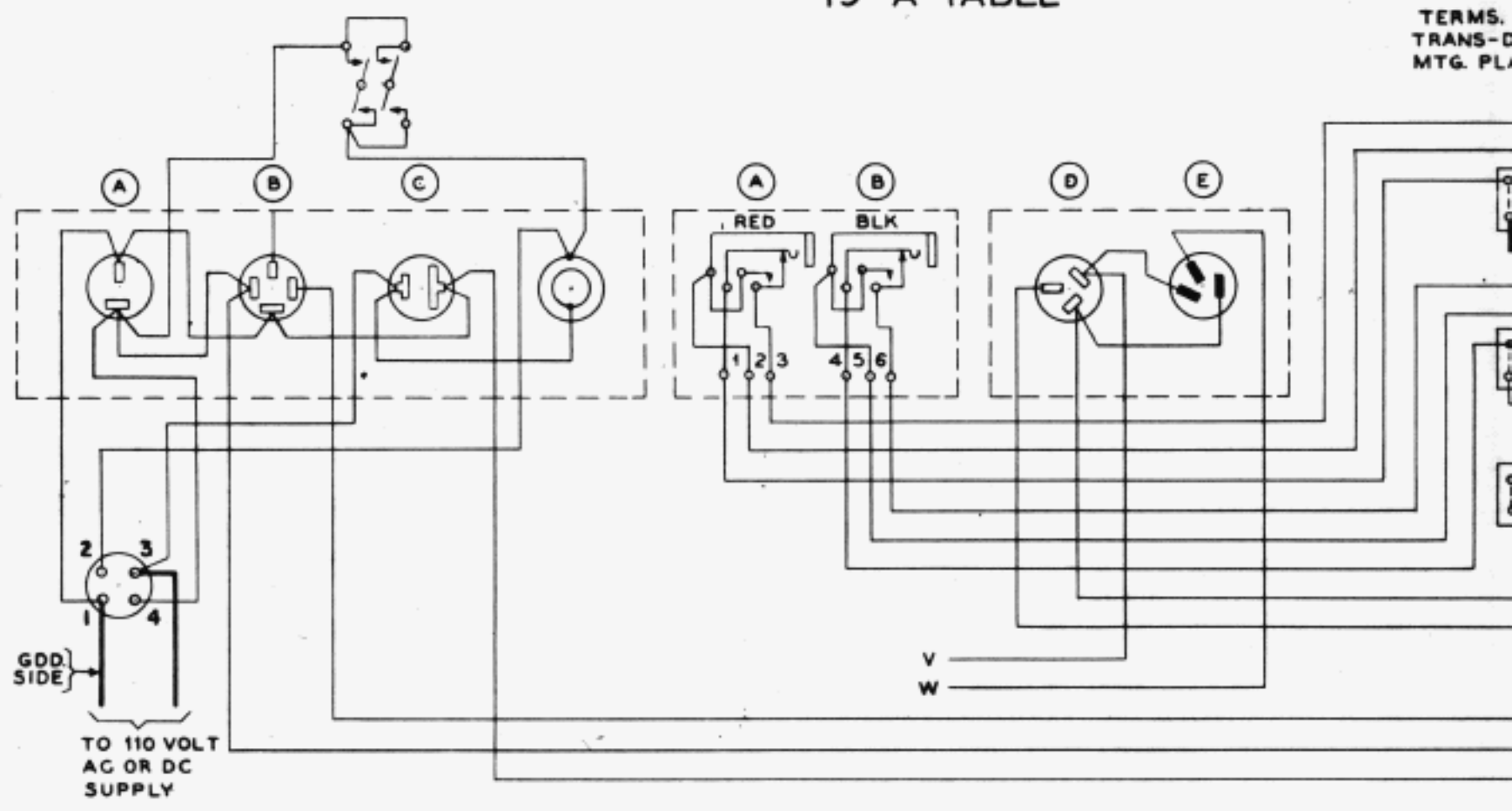
Handwritten note: Gordon City



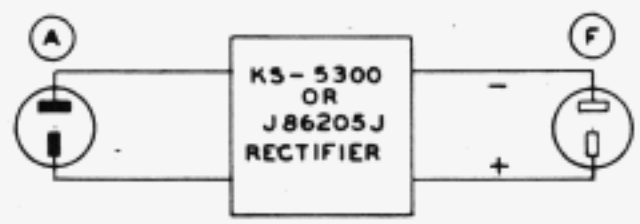
TTY
FRAME



19-A TABLE



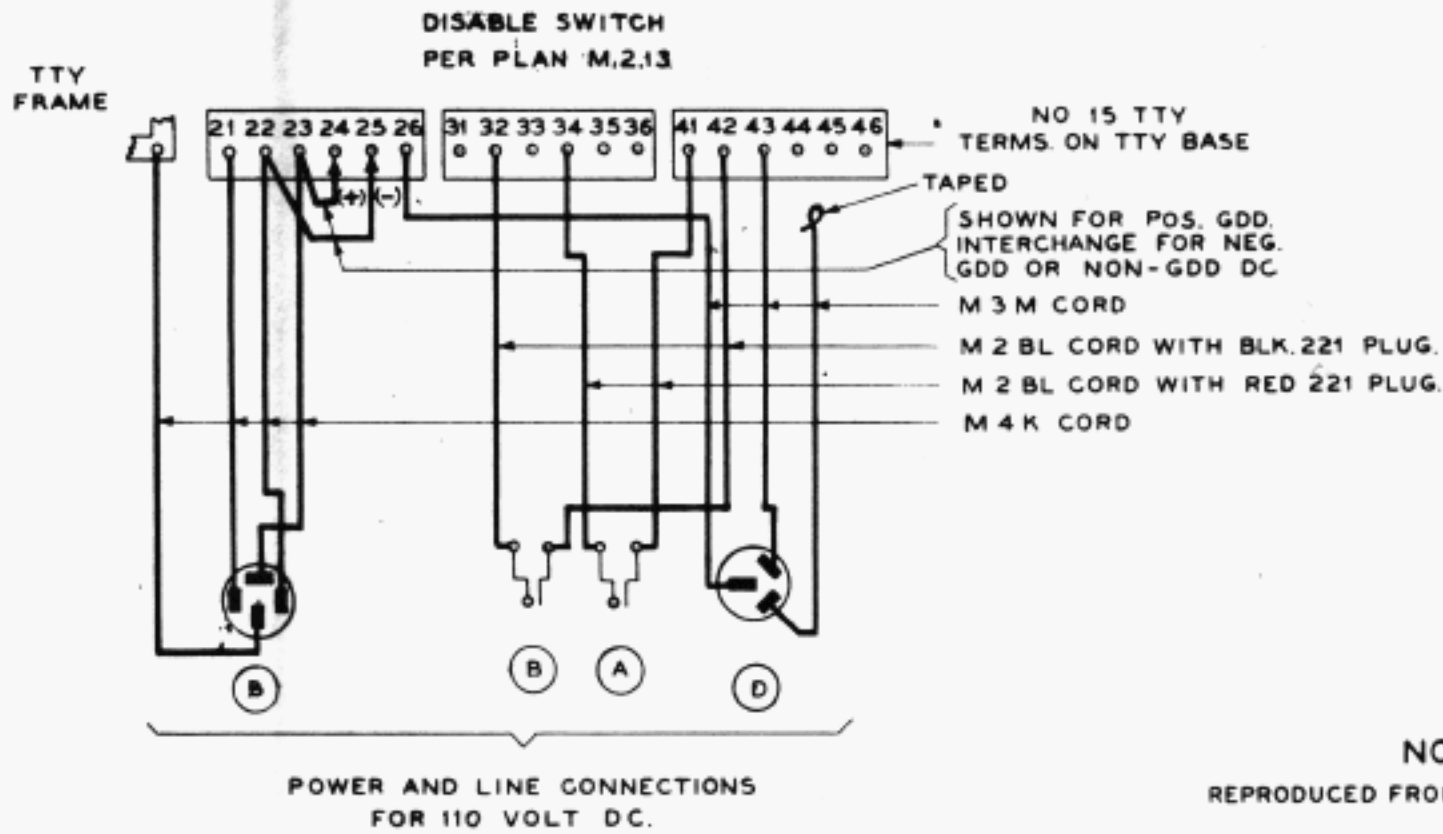
TERMS.
TRANS-D
MTG. PL



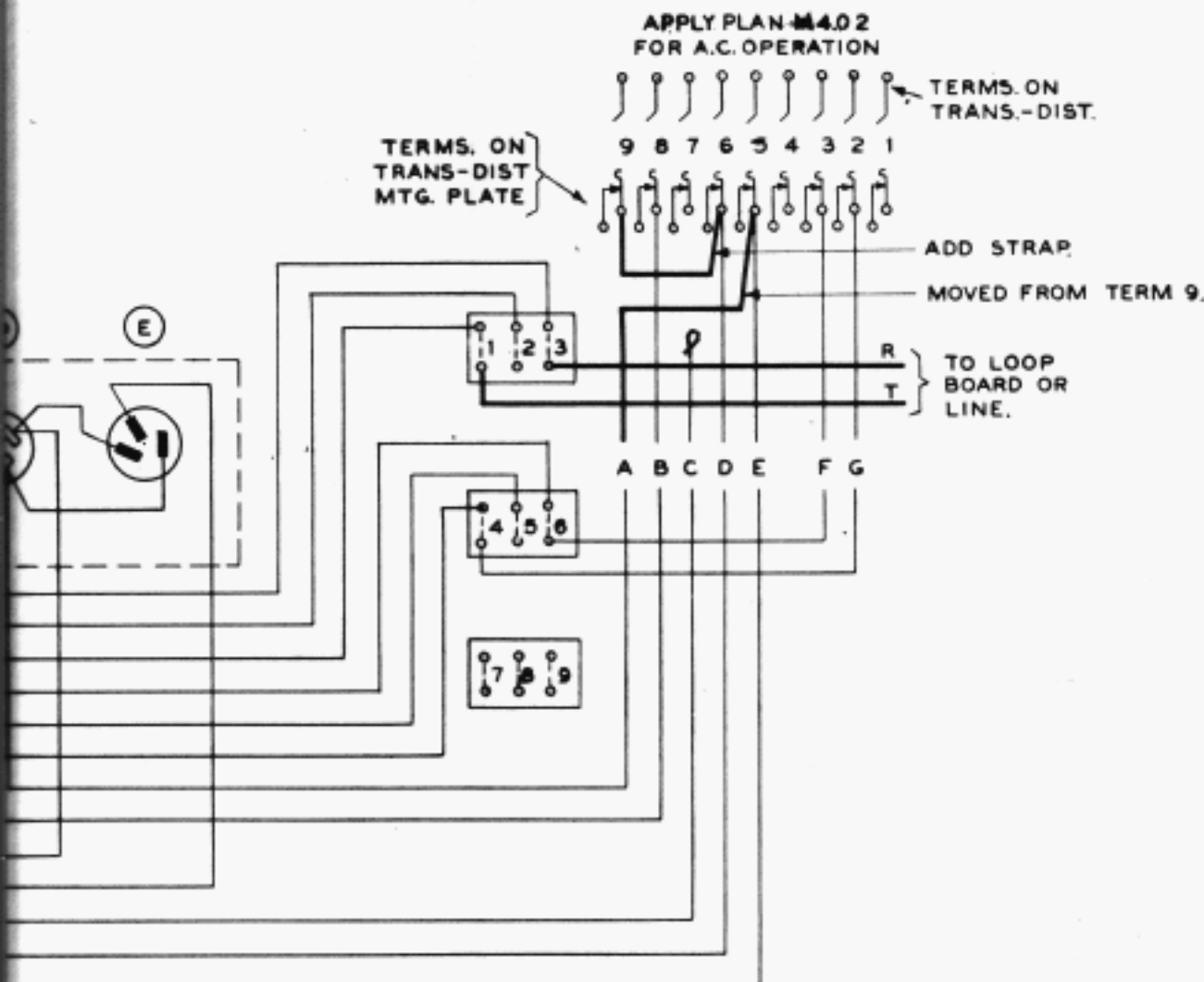
(REQUIRED ONLY WHEN
POWER SUPPLY IS AC)



HUBBELL 6409 BODY
OR EQUIVALENT
(TO PROTECT FROM EXPOSED
TERMINALS OF RECP.)



NOTE
REPRODUCED FROM DWG. 20354-113



**TELETYPEWRITER SERVICE
19-A TABLE**

15 KSR AND 14 TRANS-DIST. TRANS-DIST.
CONTROLLED BY BREAK ON TTY 110 VOLT
AC OR DC.

E

HUBBELL 6409 BODY
OR EQUIVALENT
PROTECT FROM EXPOSED
TERMINALS OF RECER