

NOTE:  
 PROVIDE 4 #5 X 5/8" R.H.W. SCREWS  
 P-210116 AND 2 #6 X 1" R.H.M. SCREWS  
 P-205266 AND NUTS P-201524

MOUNTING PLATE FOR 2 INDICATOR LAMPS  
 MAPLE OR OTHER CLOSE GRAINED WOOD.  
 FINISH IN WALNUT MAHOGANY  
 DETAIL 1

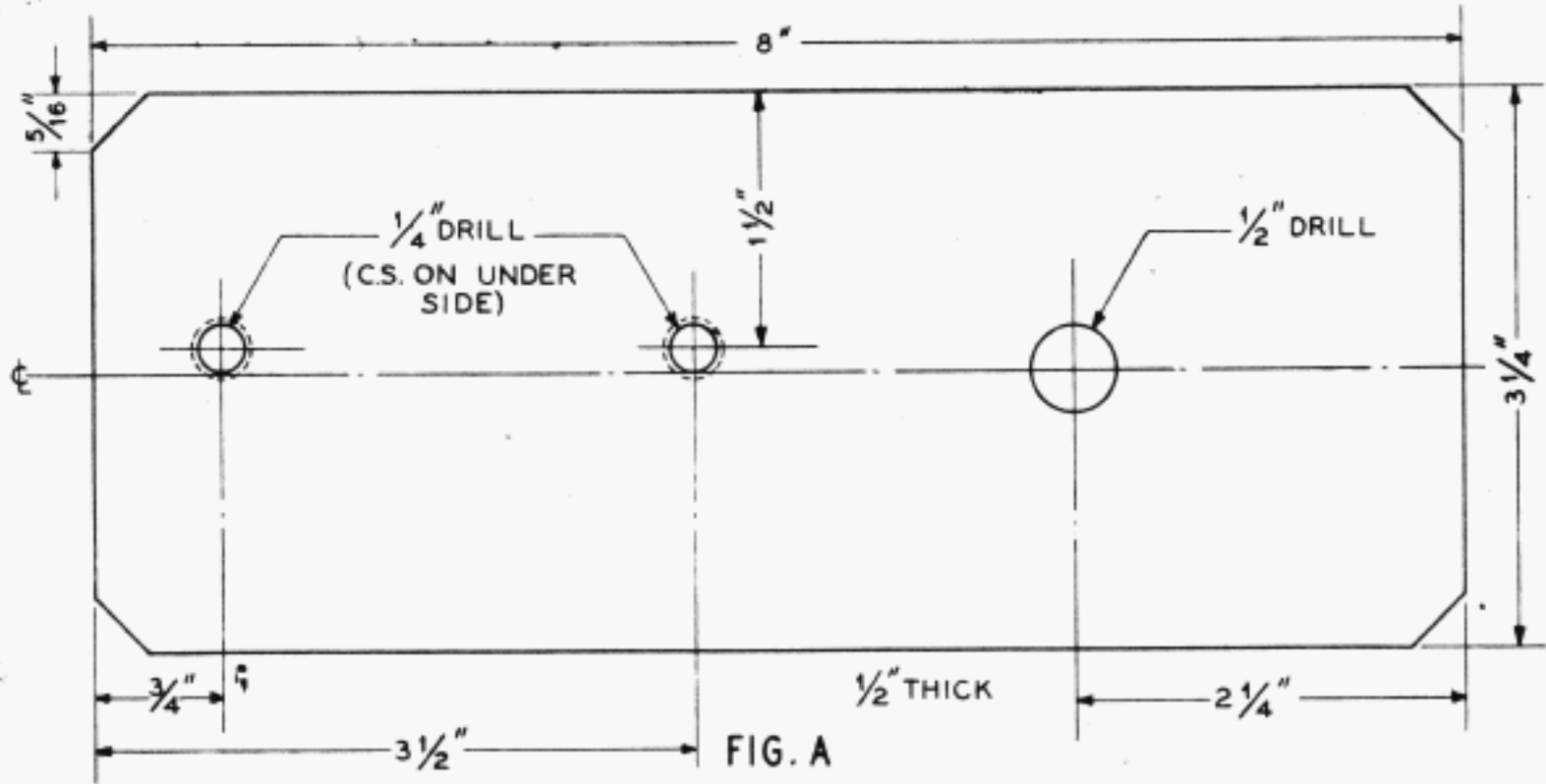


FIG. A

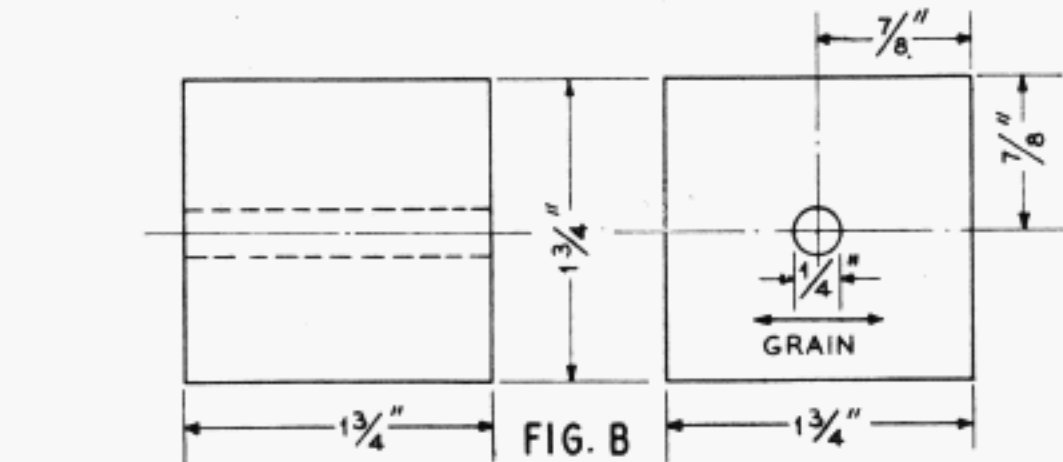
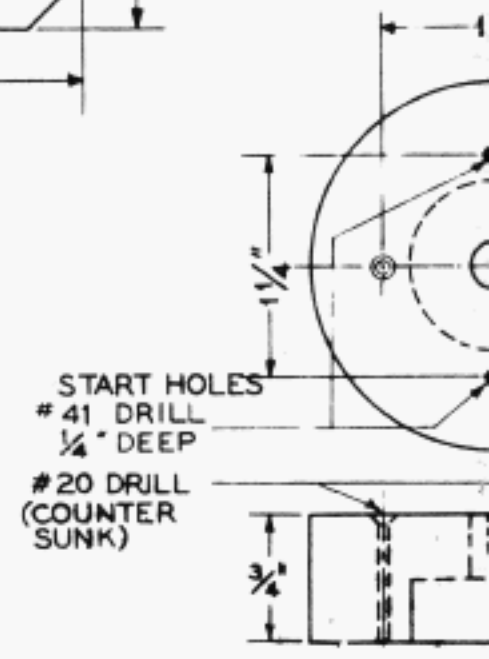


FIG. B

DETAIL 2  
 DIAL MOUNTING ASSEMBLY  
 (FOR 19A TABLE ONLY)  
 MAPLE OR OTHER CLOSE GRAINED WOOD.  
 FINISH IN WALNUT MAHOGANY



START HOLES  
 #41 DRILL  
 1/4" DEEP  
 #20 DRILL  
 (COUNTER SUNK)

MOUNTING PLATE FOR  
 MAPLE OR OTHER CLOS  
 FINISH IN WALNUT  
 DETAIL 5

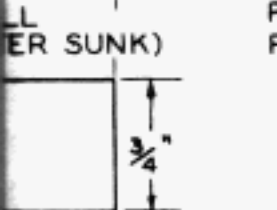
START HOLES  
#41 DRILL  
1/4" DEEP

BELL SYSTEM PRACTICES  
TELETYPEWRITER STATION  
INSTALLATION AND MAINTENANCE  
(REPRODUCED FROM DWG.  
20896-131)

SECTION P 90.985  
ISSUE F DEC 1946  
LONG LINES DEPT.  
DIST. CLASS. 600AC

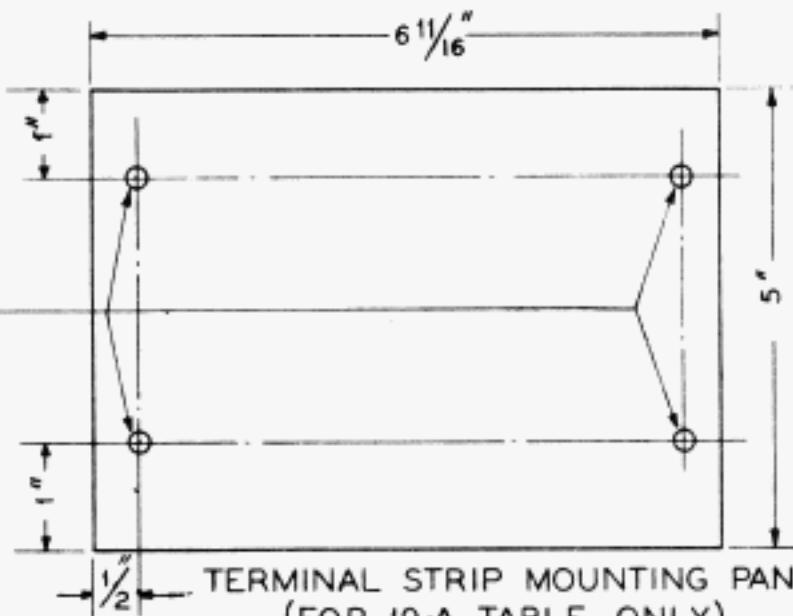


NOTE:  
PROVIDE 4 #5 X 5/8" R.H.W. SCREWS  
P-210116 AND 2 #6 X 1" R.H.M. SCREWS  
P-205266 AND NUTS P-201524



AMPS  
OD.

#11 DRILL AND  
COUNTERSINK



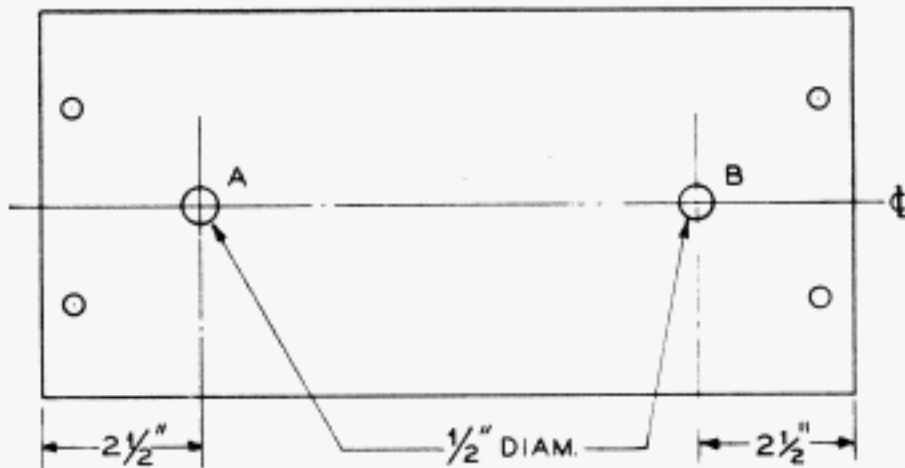
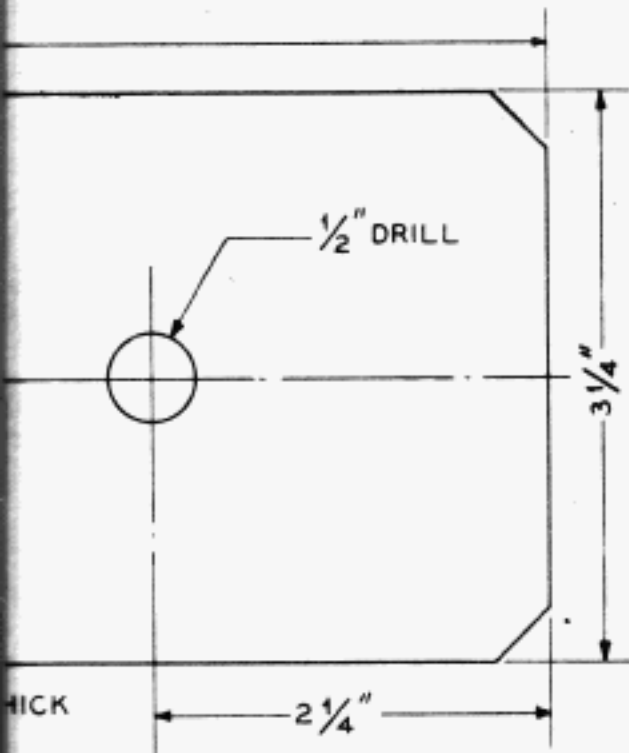
NOTE:  
PROVIDE 4 #8 X 1 1/4"  
F.H.W. SCREWS  
P-160953

TERMINAL STRIP MOUNTING PANEL  
(FOR 19-A TABLE ONLY)

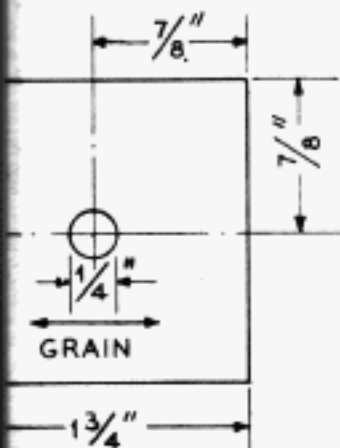
(1/2" WOOD)  
DETAIL 3

NOTE

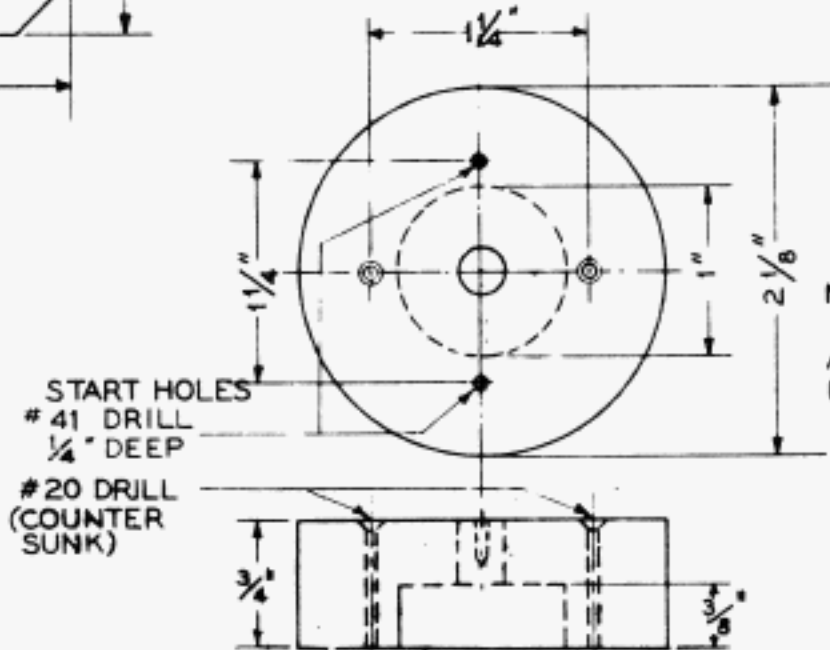
PROVIDE HOLE A WHEN EITHER DIAL OR LAMP STANDARD  
IS SPECIFIED. PROVIDE HOLES A AND B WHEN BOTH ARE  
SPECIFIED.



15A CONTROL PANEL  
MODIFICATIONS FOR SELECTOR  
OR INDICATOR STANDARD  
DETAIL 4



EMBL  
ILY)  
NED WOOD.  
OGANY



START HOLES  
#41 DRILL  
1/4" DEEP  
#20 DRILL  
(COUNTER  
SUNK)

NOTE:  
PROVIDE 2 #5 X 5/8" R.H.W. P-210116 SCREWS  
AND 2 #6 X 1" R.H.M. SCREWS P-205266 AND NUTS  
P-201524.

MOUNTING PLATE FOR 1 INDICATOR LAMP  
MAPLE OR OTHER CLOSE GRAINED WOOD.  
FINISH IN WALNUT MAHOGANY

DETAIL 5

SWITCHING ARRANGEMENTS

60 TYPE SELECTOR  
SELECTIVE CALLING ARRANGEMENT  
EQUIPMENT MOUNTING DETAILS  
14-B 15-A 15-N & 19-A TABLES