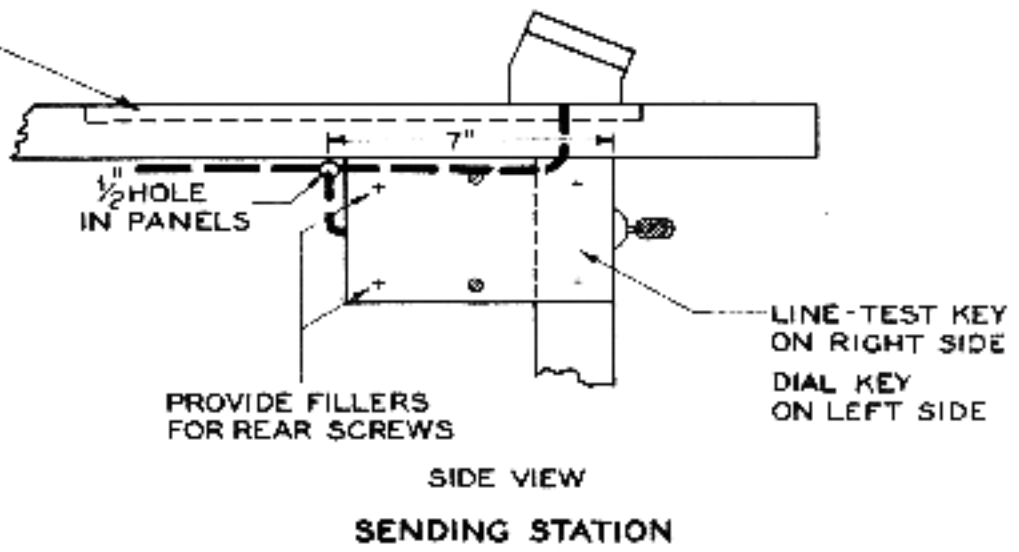
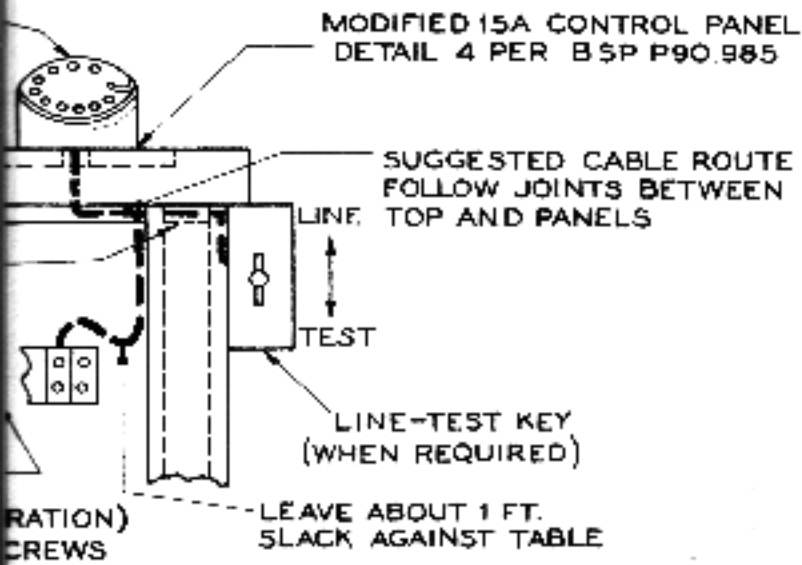
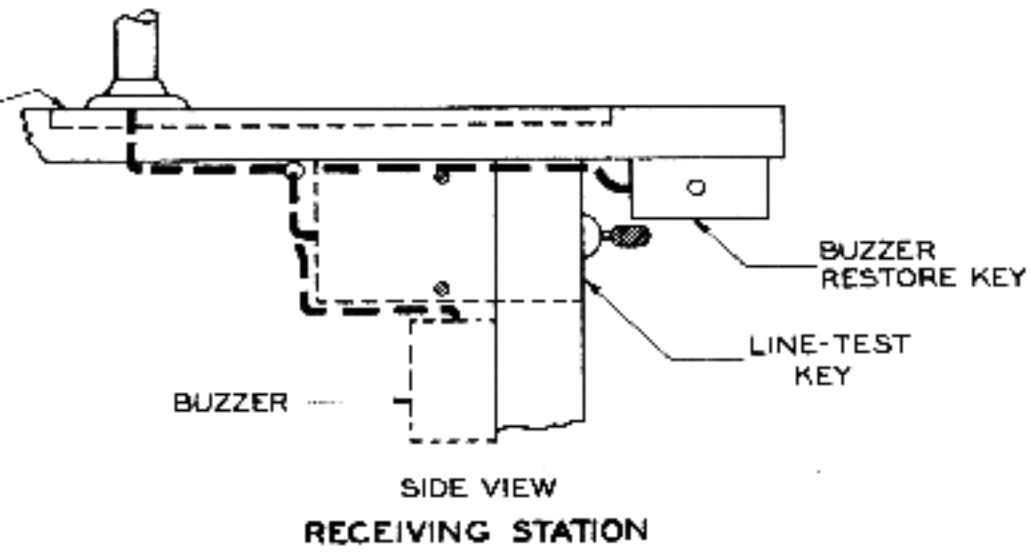
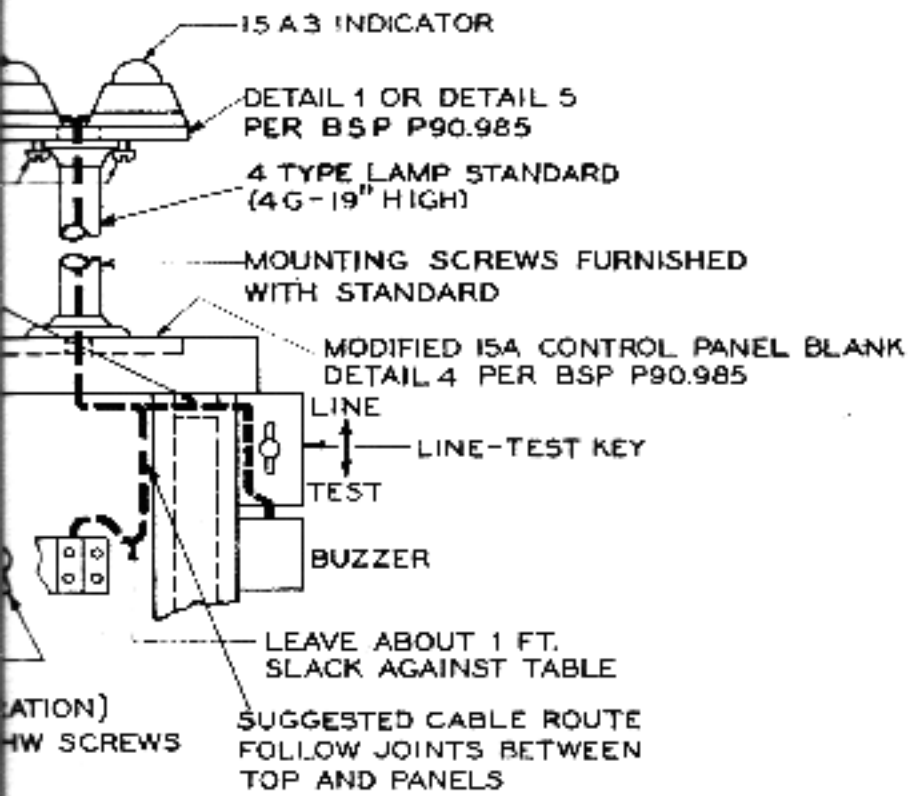


BELL SYSTEM PRACTICES
 TELETYPEWRITER STATION
 INSTALLATION AND MAINTENANCE
 (REPRODUCED FROM DWG.
 20897-131)

SECTION P 90.988
 ISSUE C MARCH 1943
 LONG LINES DEPT.

Dist. Class. 600AC



SWITCHING ARRANGEMENTS
 80 TYPE SELECTOR
 SELECTIVE CALLING ARRANGEMENT
 15-N TABLE
 EQUIPMENT ARRANGEMENT