

BELL SYSTEM PRACTICES
 TELETYPEWRITER STATIONS
 INSTALLATION AND MAINTENANCE
 REPRODUCED FROM DWG. 20908-124

SECTION P 90.996
 ISSUE B NOV. 1942
 LONG LINES DEPT.
 Dist. Class. 600 AC

TO LINE
 LOOP BOARD



(FIG. 3)
 24-SD-113
 90.980)
 97-131
 90.988)

JONES 10-141
 TERM. STRIPS
 SEE 20898-105
 (BSP P 90.989)

BUSY SIGNAL
 PER FIG. 5 20532-SD-119
 (BSP P 90.982) AND
 20898-105 (BSP P 90.989)

DISCONNECT SIGNAL PER FIG. 3
 20824-SD-124
 (BSP P 90.990) AND 20898-105
 (BSP P 90.989)

(FIG. 2)
 24-SD-113
 90.980)
 97-131
 90.988)

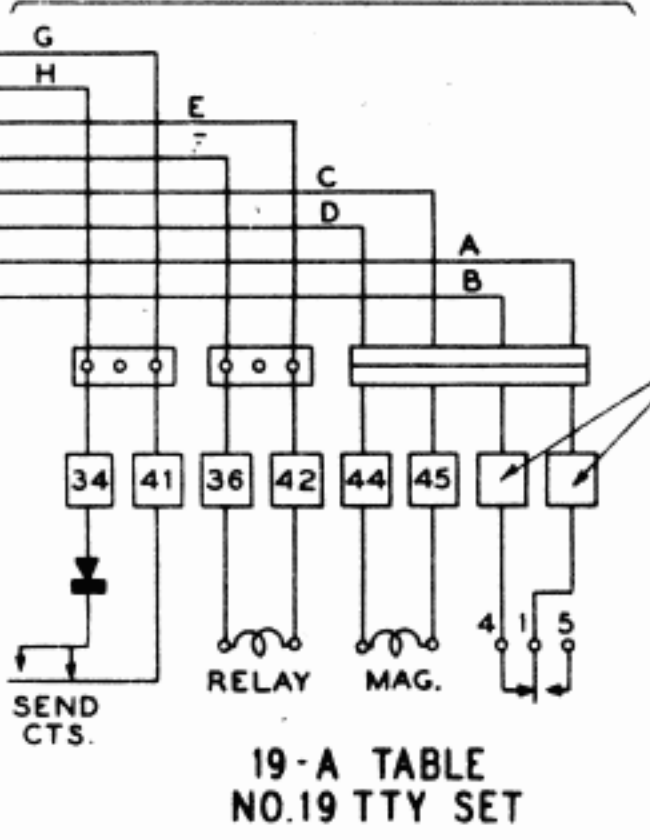
PER FIG. C 20884-106 BSP P 90.992

5
 6
 9
 10
 7
 8
 10
 X
 Y
 U
 V
 CUIT

21-A-3
 IND.

15-D-3
 IND.

SPARE
 AVAILABLE
 TERMS



19-A TABLE
 NO. 19 TTY SET

RECEIVING STATION

PER FIG. 1 20884-106
 (BSP P 90.992)
 AND 20898-105
 (BSP P 90.989)

PER FIG. 2 20824-SD-124
 (BSP P 90.990)
 AND 20898-105
 (BSP P 90.989)

SWITCHING ARRANGEMENTS
 60 TYPE SELECTOR
 SELECTIVE CALLING ARRANGEMENT
 TYPICAL LAYOUT
 SENDING FROM NO. 15 TTY ON 15 N TABLE
 RECEIVING BY NO. 19 TTY SET ON 19-A TABLE
 WITH APPLIQUE CIRCUIT PER BSP P 90.990 AND
 EXTERNAL LINE-TEST KEY PER BSP P 90.992