

**BELL SYSTEM PRACTICES**  
Teletypewriter and Data Stations

**SECTION P34.323**  
Issue 1, August, 1960  
**AT&T Co Standard**

## **28 TYPE APPARATUS CABINETS**

### **WIRING DIAGRAM**

#### **1. GENERAL**

- 1.01 This section shows the wiring of the 28B apparatus cabinet which is used in the 81D1 switching system.





1  
LEFT  
REPERFORATOR  
TRANSMITTER

R	19
2BK	2,20

2 SEE NOTE 4  
RIGHT  
REPERFORATOR  
TRANSMITTER

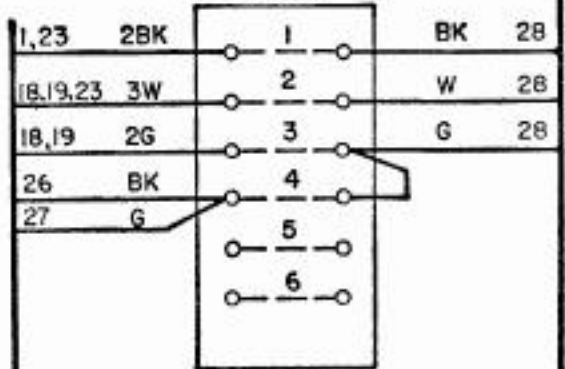
R	18
BK	1

SEE NOTE 4

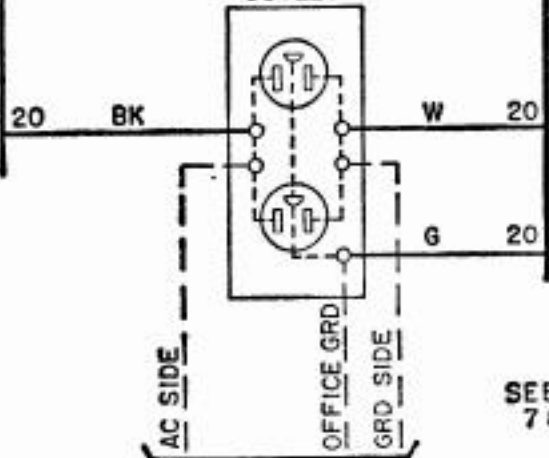
SPARE

SPARE

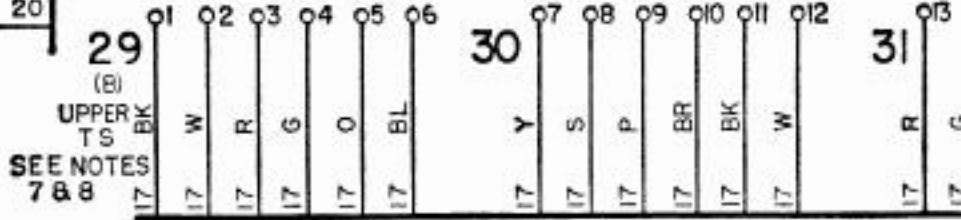
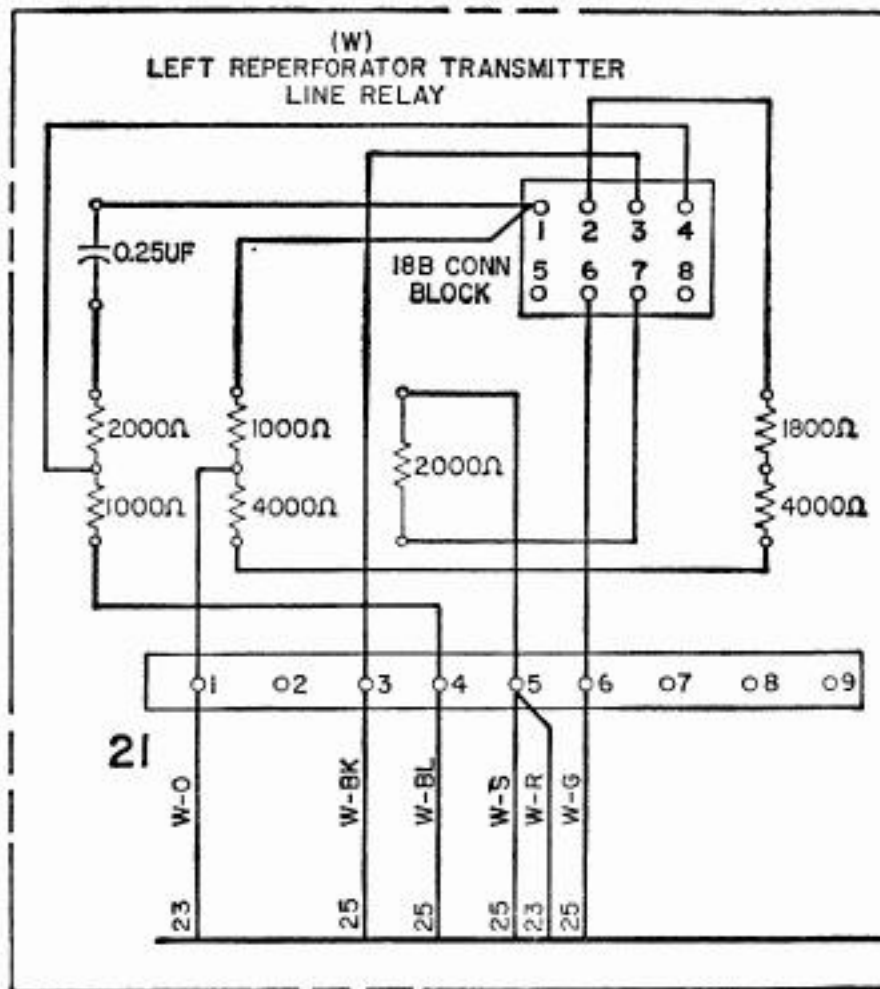
20  
POWER  
TERMINAL  
BLOCK



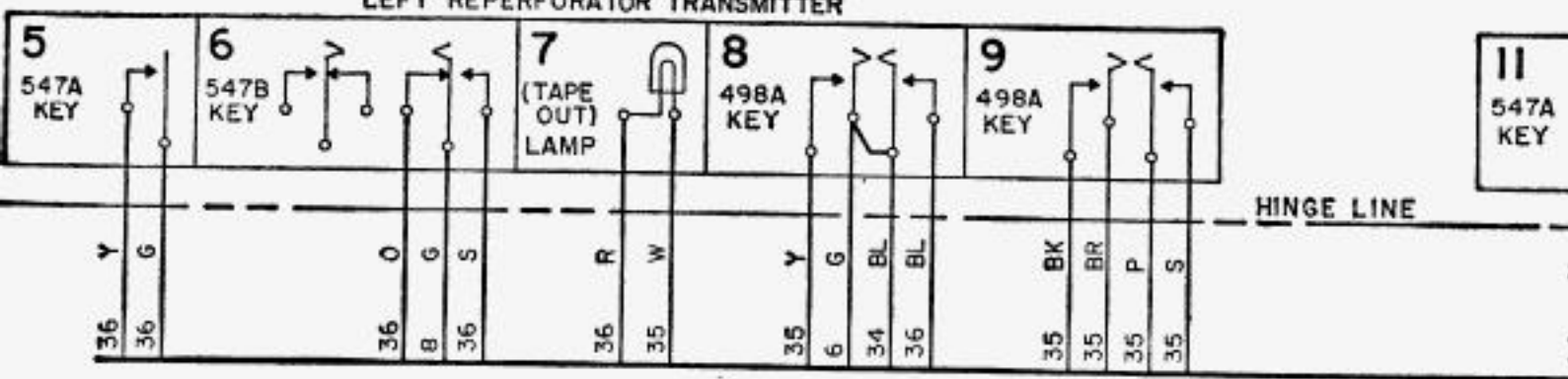
28  
CONVENIENCE  
OUTLET



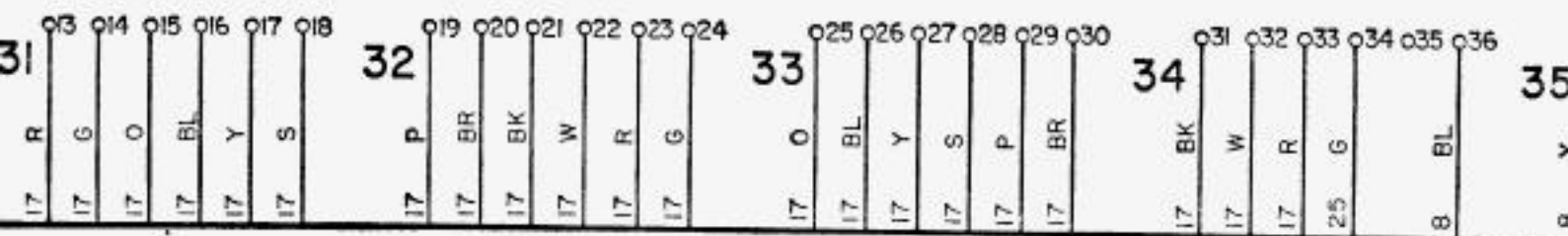
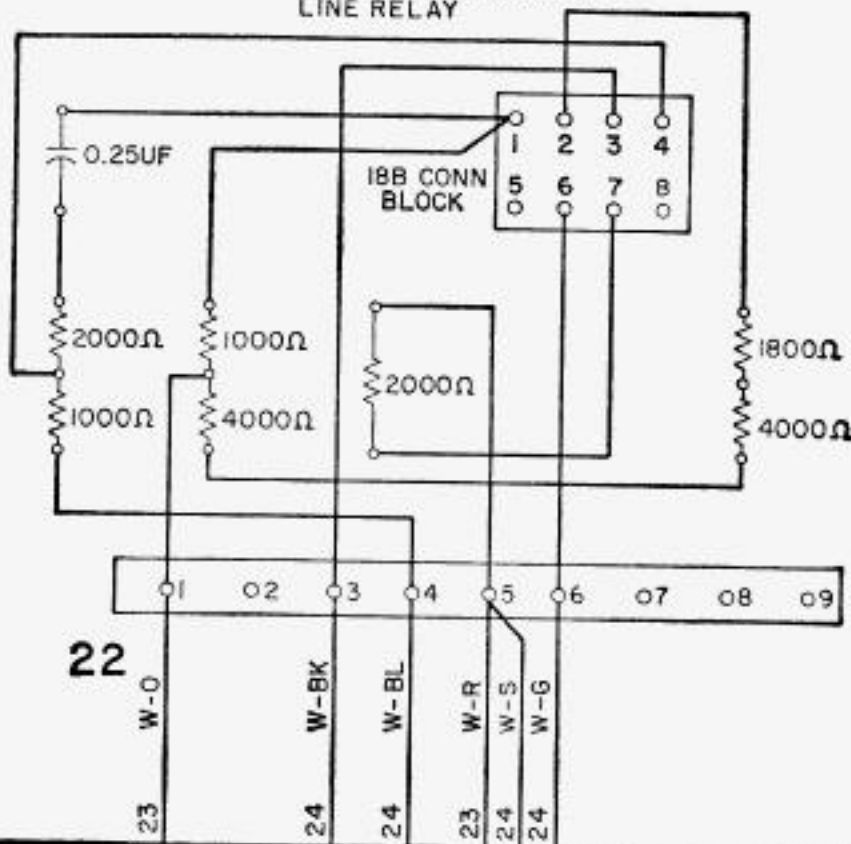
SEE NOTE 1



LEFT REPERFORATOR TRANSMITTER

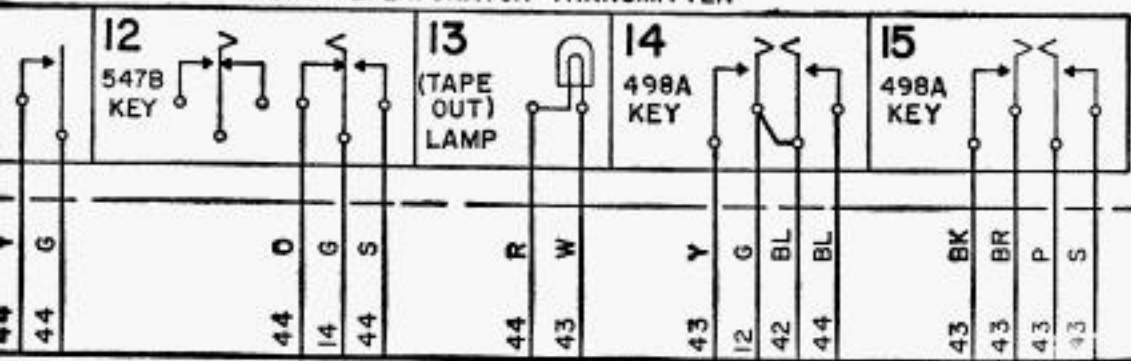


(AW)  
RIGHT REPERFORATOR TRANSMITTER  
LINE RELAY

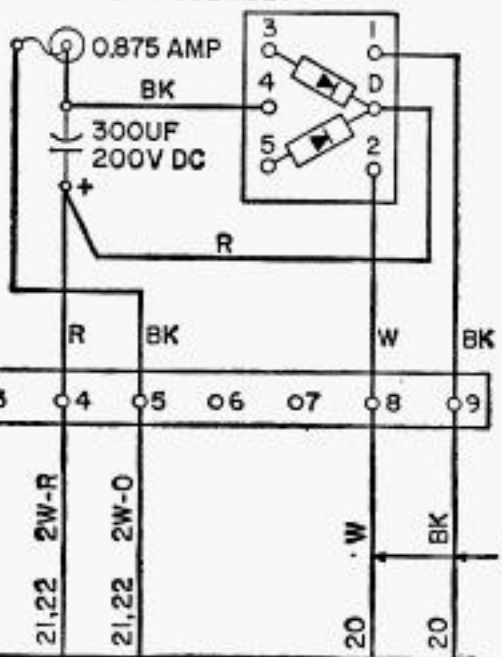


28B Apparatus Cabinet

RIGHT REPERFORATOR TRANSMITTER



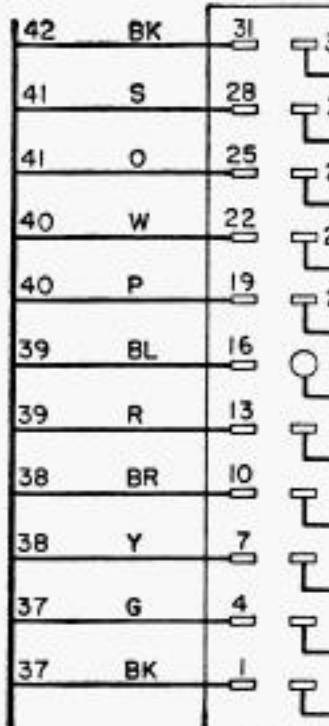
(J) TP 16236I RECTIFIER ASSEMBLY



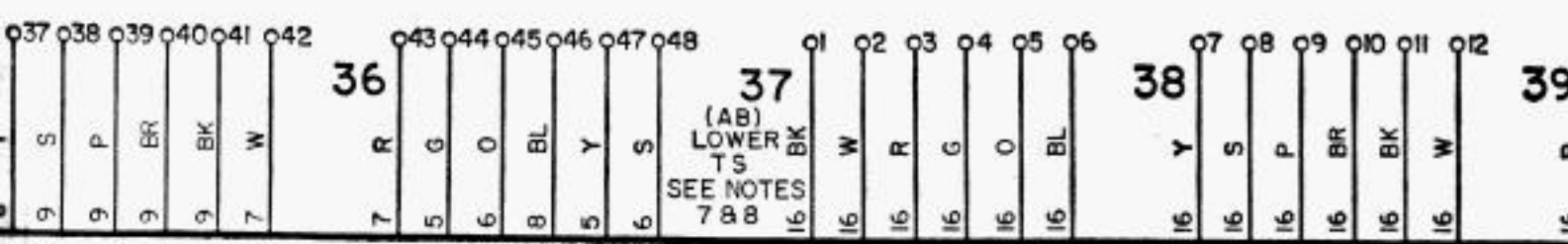
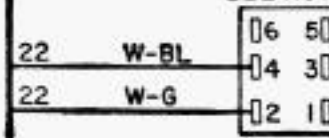
HINGE LINE

23

16 (AH) SEE NOTES



24 (AK) SEE NOTES





- NOTES:
1. UNIT W INPUT
  2. CONNE
  3. WIRES
  4. FUSE P RATED
  5. EXTER SIDE O LEFT RIGHT
  6. CIRCUIT ION A
  7. AS VIE NATION

