

**BELL SYSTEM PRACTICES**  
**Teletypewriter and Manual**  
**Telegraph Station and P.B.X.**  
**Installation and Maintenance**

**SECTION P40.301**  
**Issue 2, September, 1943**  
**AT&T Co Standard**

## **NO. 26 TELETYPEWRITER**

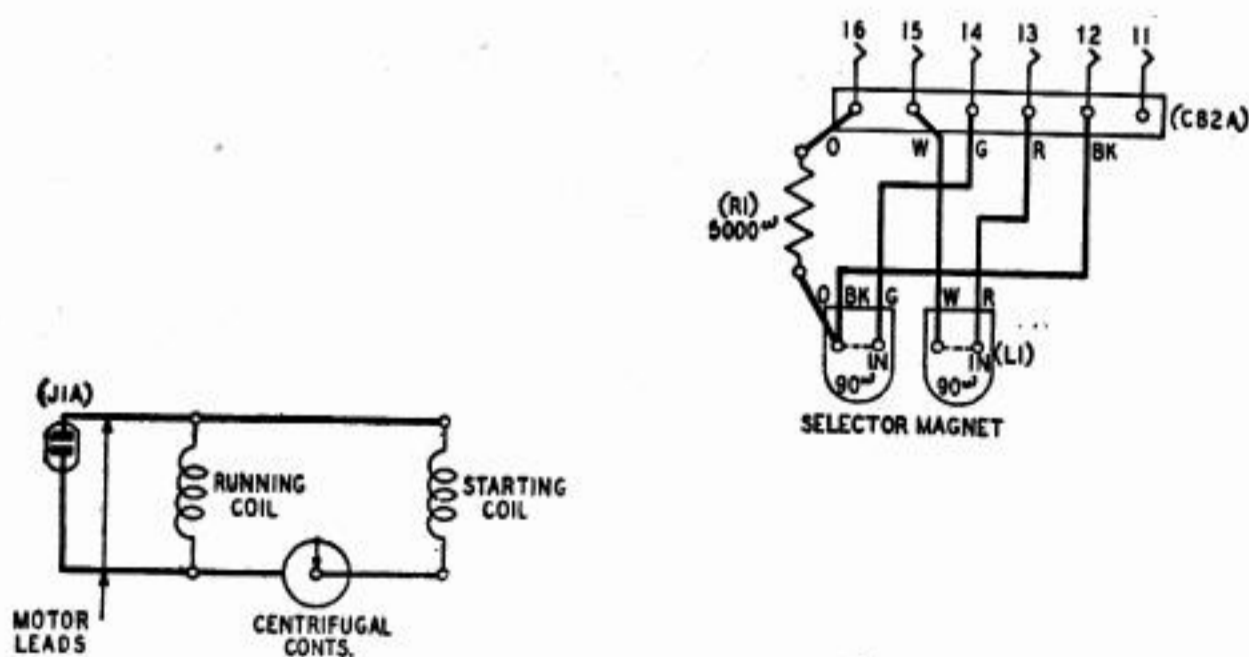
### **WIRING DIAGRAMS**

#### **1. GENERAL**

1.01 This section gives the wiring of the various apparatus units of the No. 26 teletypewriter as they are delivered from the factory.

1.02 The section is reissued to add Fig. 3 and to omit internal wiring variations as these are covered in the station connection drawings.

1.03 The drawings on which this section is based are ES-625200, Issue 4 and ES-630446, Issue 3.



**Fig. 1—No. 26A and B Typing Units (Synchronous Motor)**

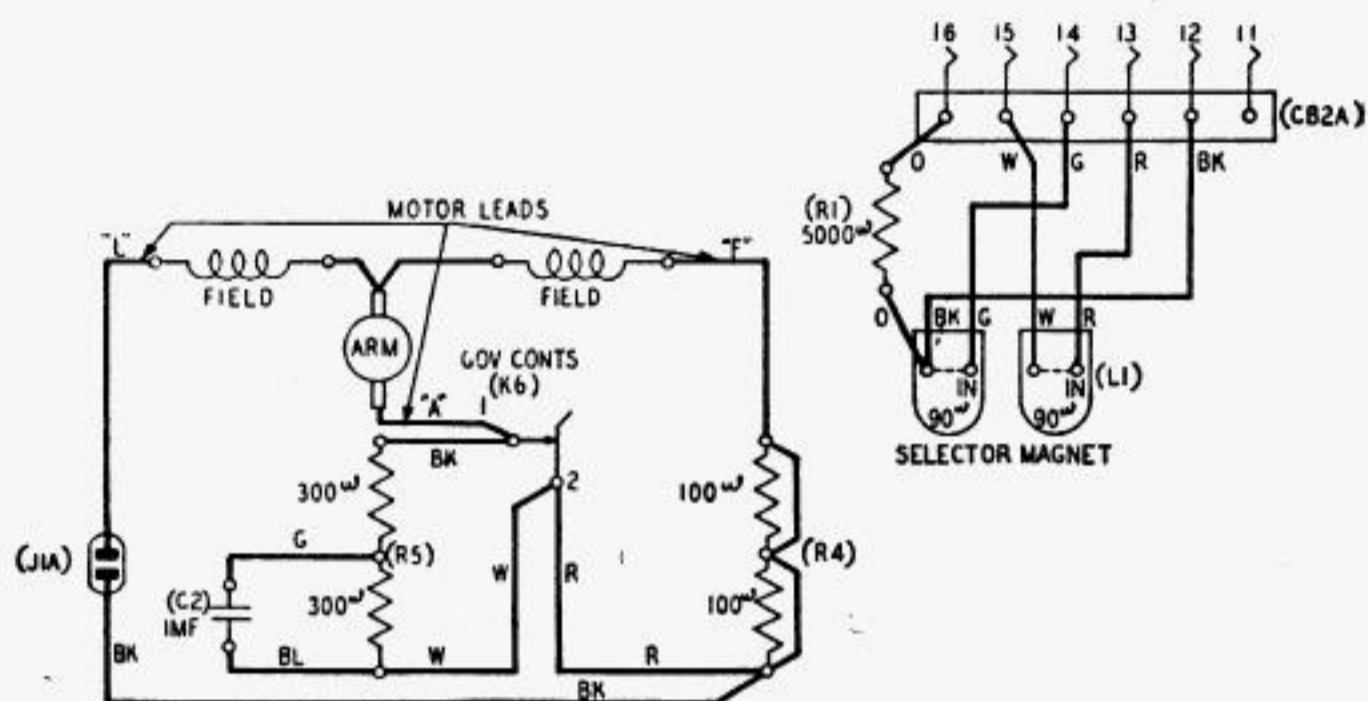


Fig. 2—No. 26C and D Typing Units (D-C Motor)

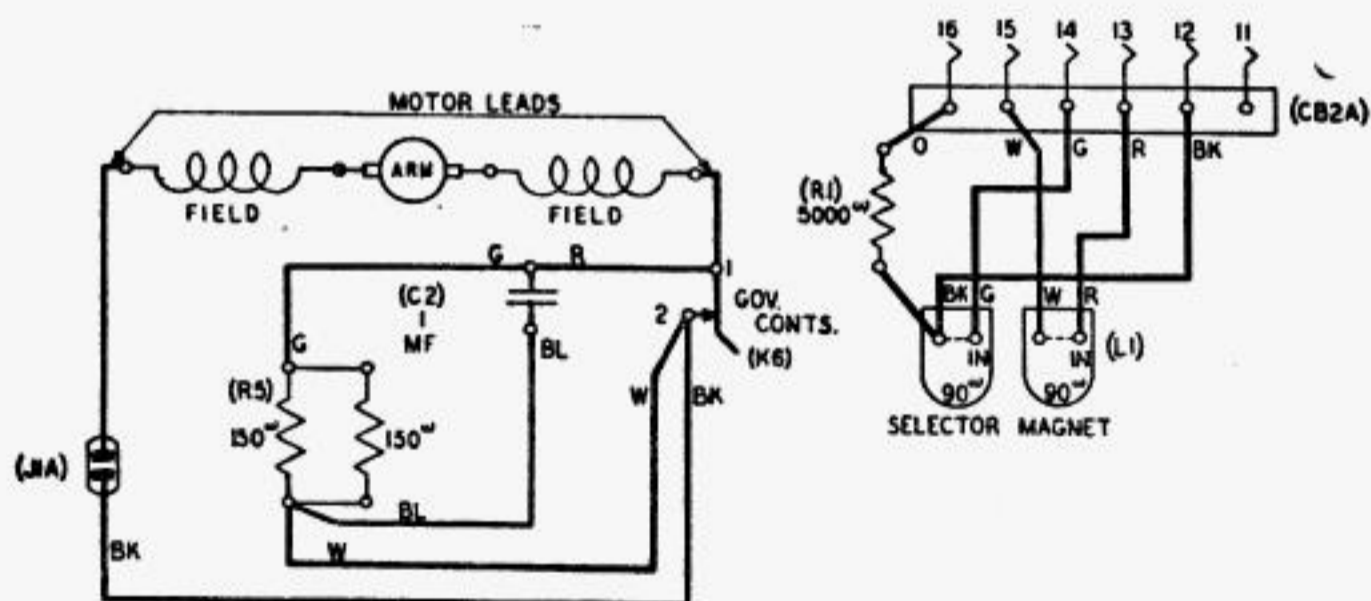


Fig. 3—No. 26E and F Typing Units (A-C Series Motor)

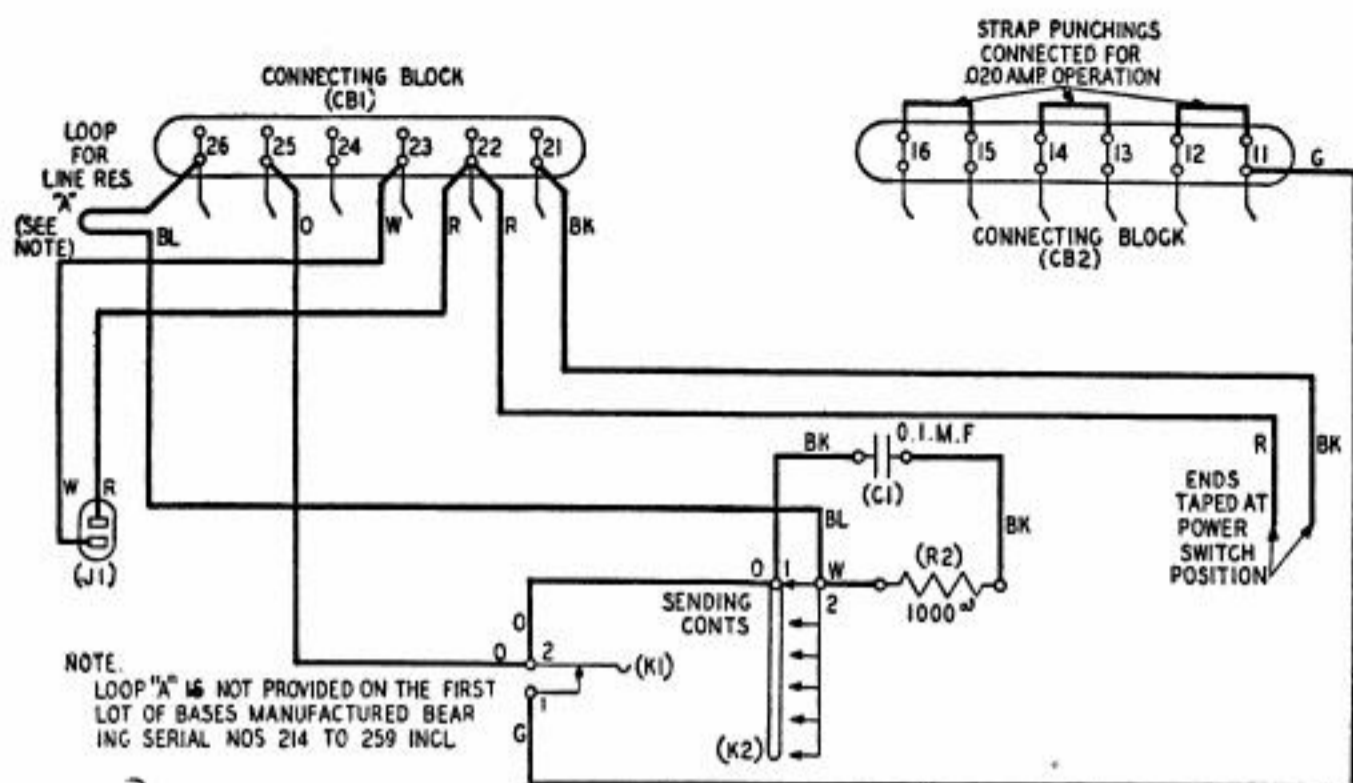


Fig. 4—No. 26A and B Teletypewriter Bases

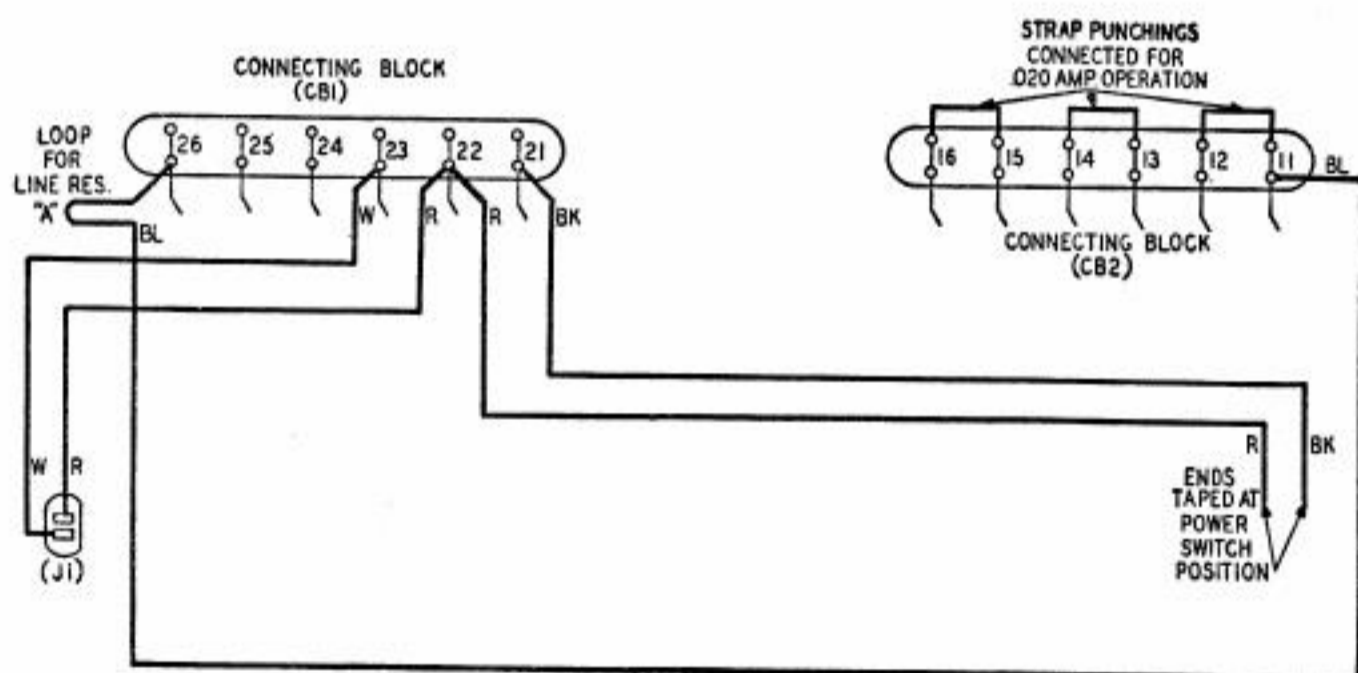


Fig. 5—No. 26C Teletypewriter Base