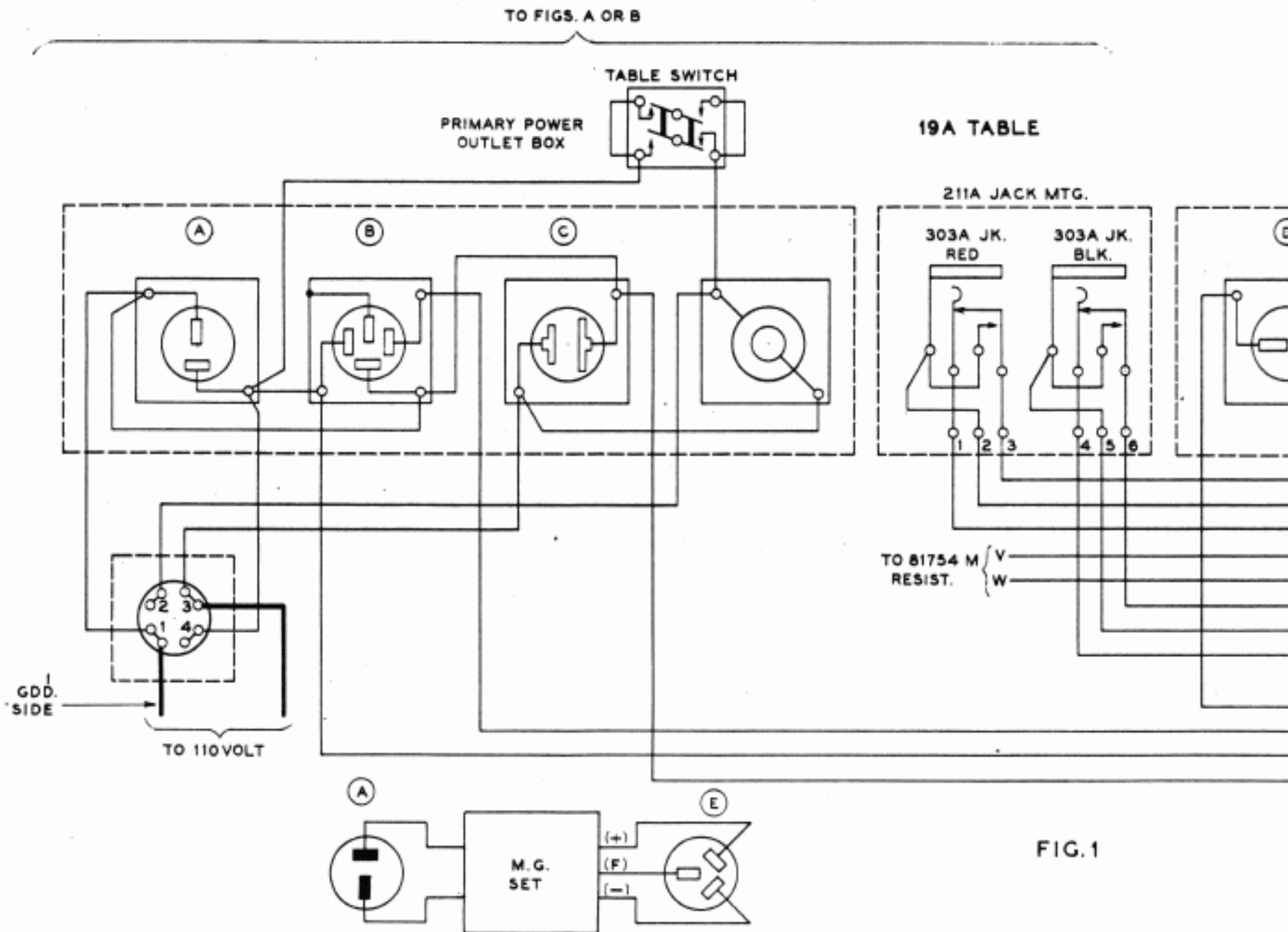
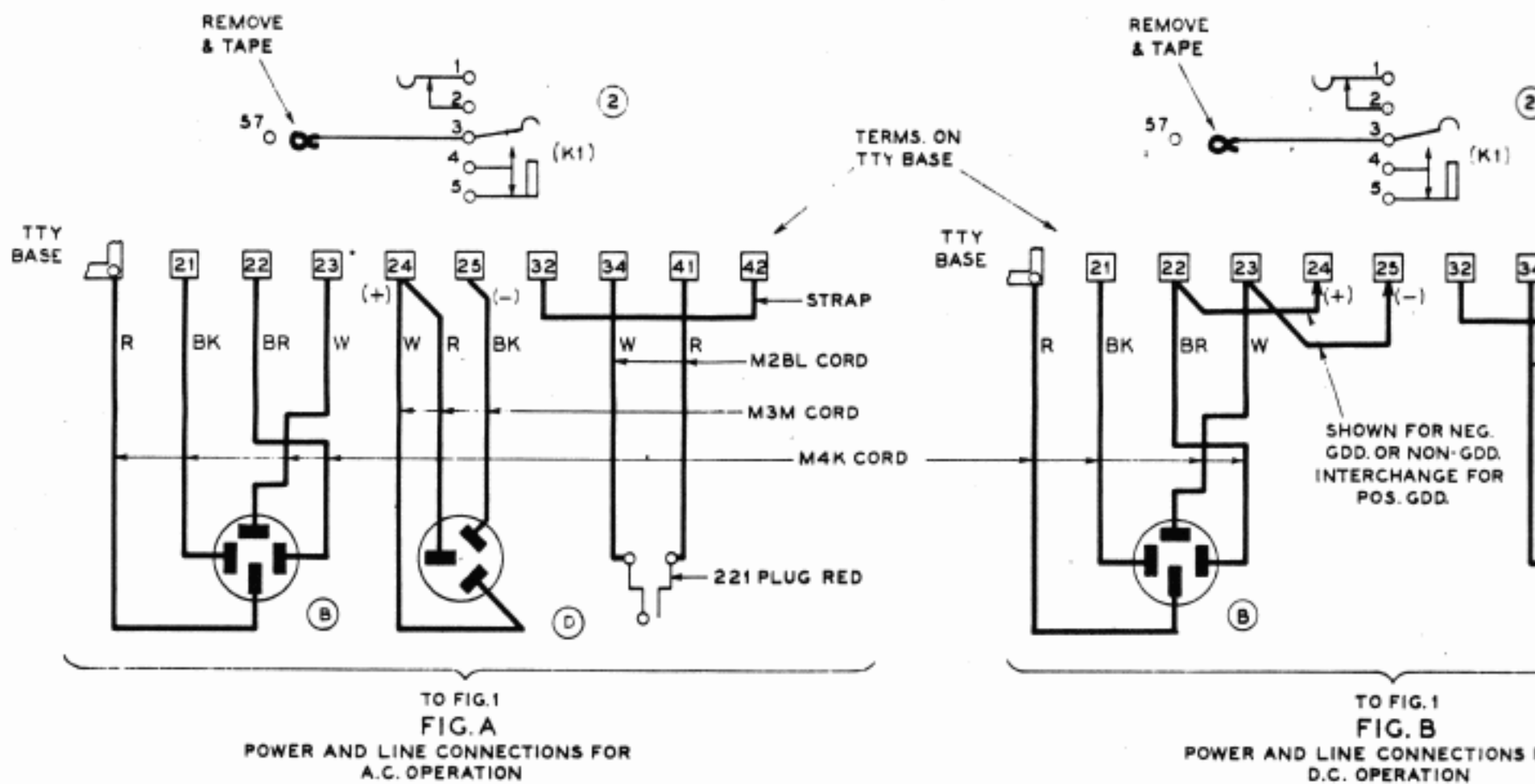
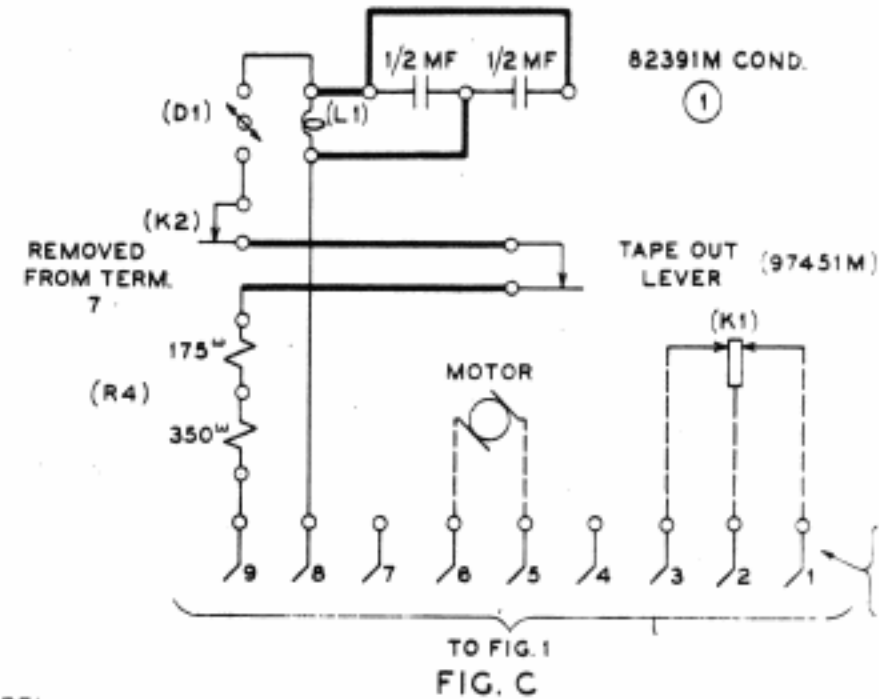
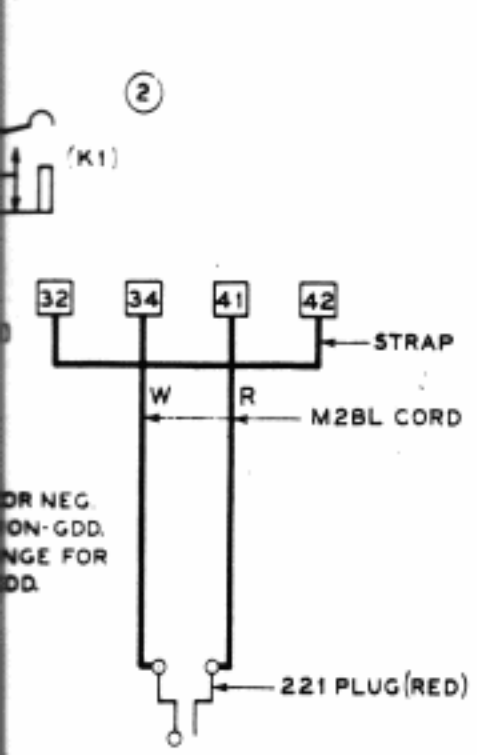


15A OR 15C BASE
(APPLY PLAN M2.23 IF 15C BASE IS USED)



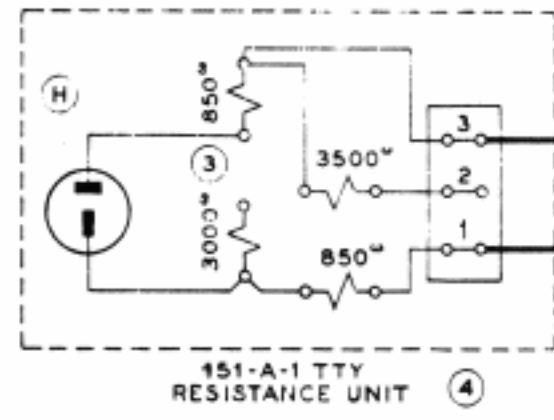
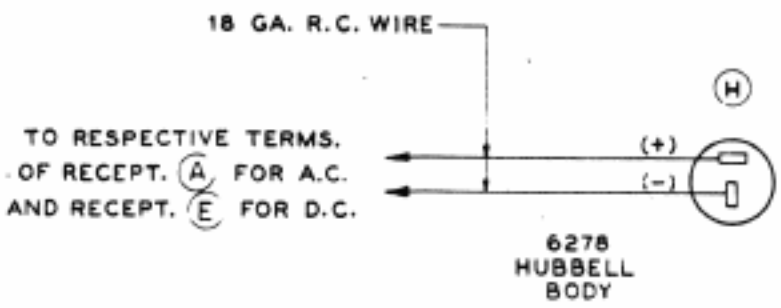
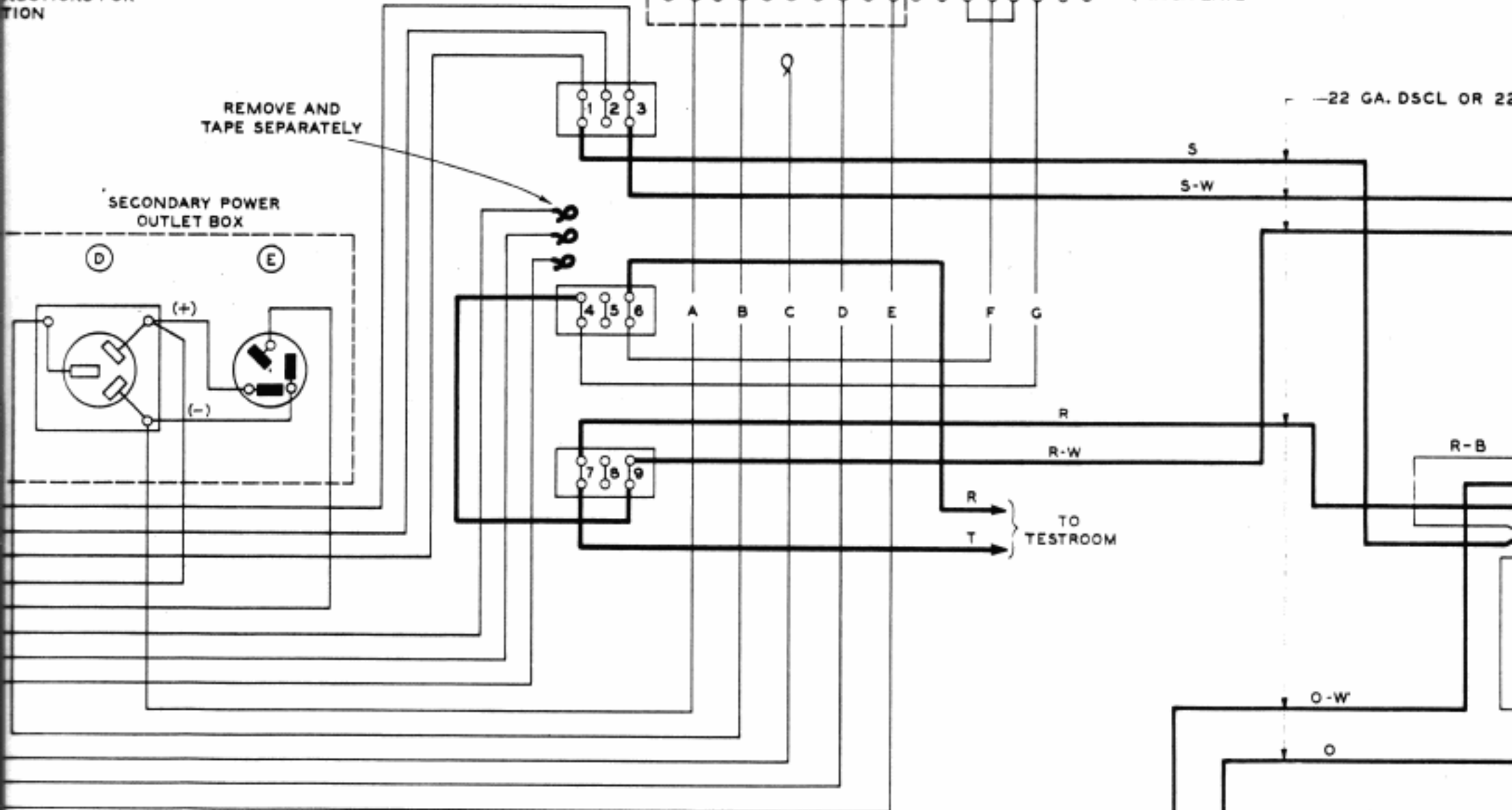
14 TYPE TRANS-DIST.



1. USE SAME MTG. DETAIL AS SHOWN IN TTY BULLETIN 10
 2. ADD P-356557 PLUG TO TERMINAL 7
 3. REMOVE STRAP BETWEEN TERMINALS 32, 34, 41, AND 42
 4. MOUNT IN CONVENIENT LOCATION
 5. MOUNT ON INSIDE OF TRANS-DIST. CASE
 6. REPRODUCED FROM BELL SYSTEM PRACTICE
- A. TRANS-DIST. ON LINE
B. TYPING UNIT AND PERIPHERALS ON LINE-TEST KEY
C. TYPING UNIT AND PERIPHERALS ON LINE-TEST KEY IS IN

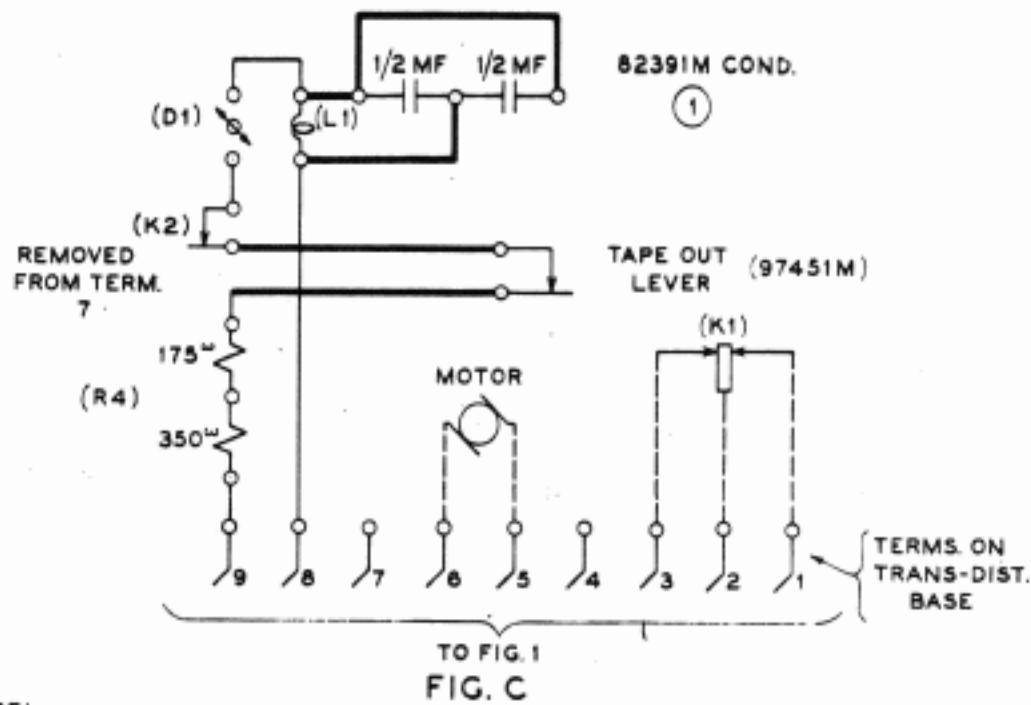
REFER TO CKT. LABEL SD-64052-81 FOR CONNECTIONS FOR D.C. OPERATION

1. CONNECTIONS FOR TYPING UNIT



19 TELETYPEWRITER STATION
TYPING UNIT AND PERIPHERALS ON LINE-TEST KEY IS IN EXTERNAL

14 TYPE TRANS-DIST.



NOTES

1. USE SAME MTG. DETAIL SHOWN FOR 82378M SET OF PARTS IN TTY BULLETIN 1041.
2. ADD P-356557 PLUNGER TO L-T KEY.
3. REMOVE STRAP BETWEEN THE 3000Ω AND 850Ω RESISTANCES.
4. MOUNT IN CONVENIENT LOCATION IN BACK OF TABLE.
5. MOUNT ON INSIDE OF RIGHT PANEL DIRECTLY UNDER TABLE TOP.
6. REPRODUCED FROM DWG. CA-15316.

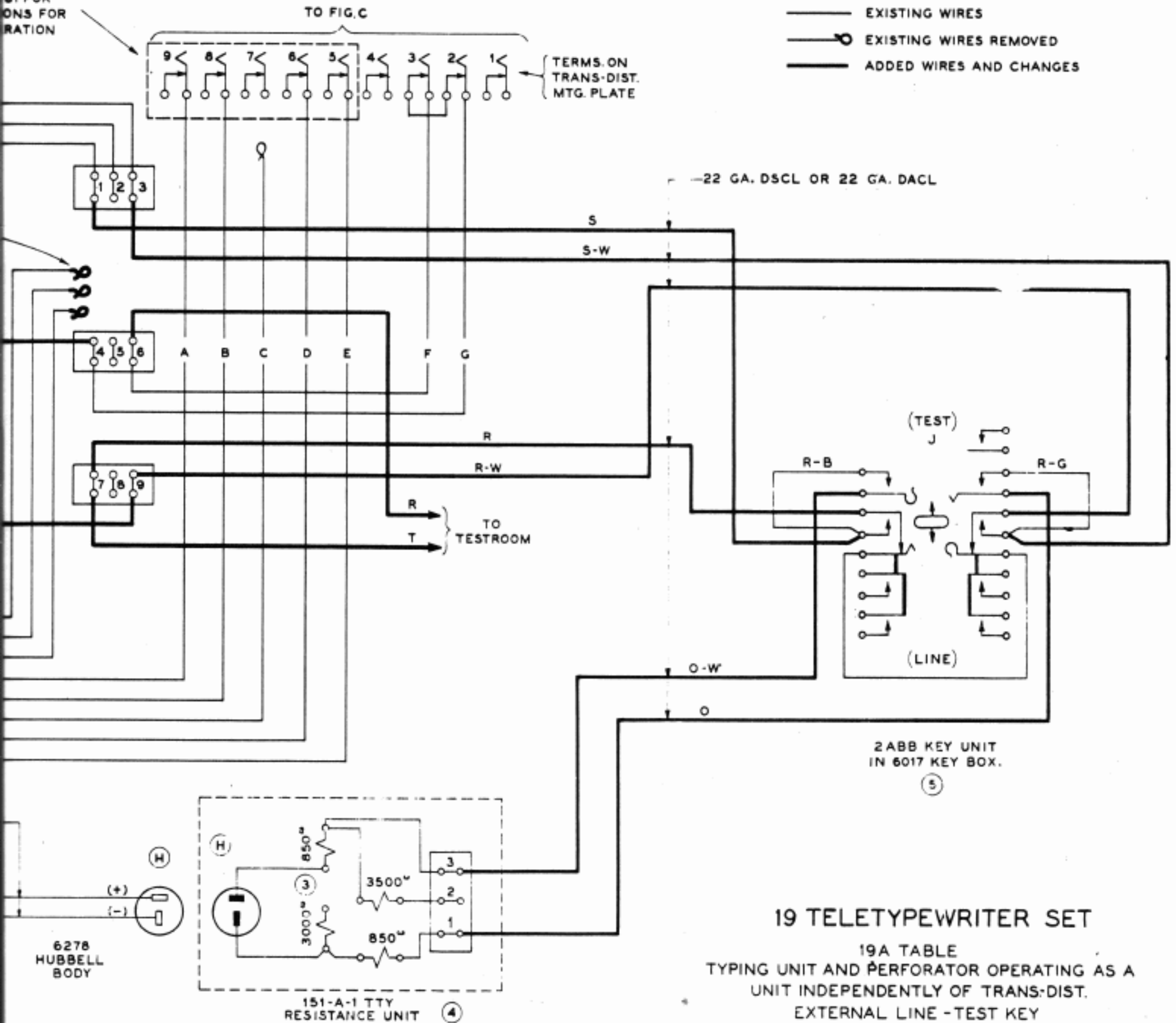
FEATURES

- A. TRANS.-DIST. ON LINE AT ALL TIMES.
- B. TYPING UNIT AND PERFORATOR ALSO ON LINE AS A UNIT WHEN LINE-TEST KEY IS IN LINE POSITION.
- C. TYPING UNIT AND PERFORATOR OFF LINE AS A UNIT WHEN LINE-TEST KEY IS IN TEST POSITION.

KEY

- EXISTING WIRES
- EXISTING WIRES REMOVED
- ADDED WIRES AND CHANGES

KT. LABEL 81 FOR
ONS FOR
RATION



19 TELETYPEWRITER SET

19A TABLE
TYPING UNIT AND PERFORATOR OPERATING AS A
UNIT INDEPENDENTLY OF TRANS-DIST.
EXTERNAL LINE - TEST KEY
110 VOLT

6278
HUBBELL
BODY