

Bulletin No. 1073

Issue 1

July, 1937

W.B. 8/16/37

TELETYPE

PRINTING TELEGRAPH SYSTEMS

PARTS

TYPE WHEEL PAGE PRINTER

(Model 24)

(AHR-1/19/38)

CC-396

When ordering parts, each number should be followed by the letter M, without parentheses, to identify the item as one to be secured from the Teletype Corp.

TELETYPE

CORPORATION

SUBSIDIARY OF

Western Electric Company

CHICAGO, U.S.A.

Bulletin No. 1073
Issue 1
July, 1937

TELETYPE

PRINTING TELEGRAPH SYSTEMS

PARTS

TYPE WHEEL PAGE PRINTER

(Model 24)



CORPORATION

SUBSIDIARY OF

Western Electric Company

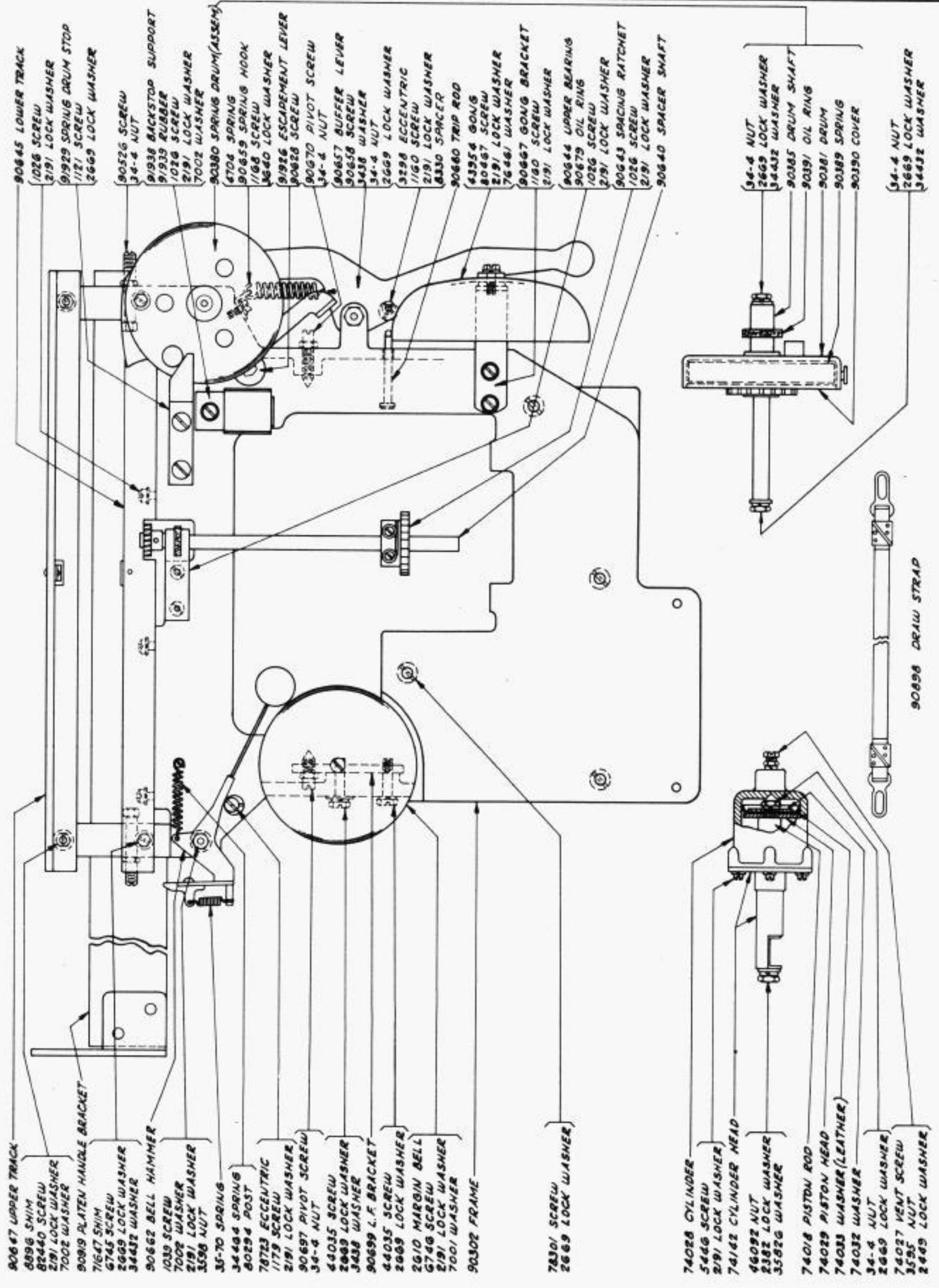
CHICAGO, U.S.A.

ALPHABETICAL INDEX

| | Page |
|---|---------|
| Base Plate (Assem.) | 12 |
| Buffer Cylinder (Assem.) | 1 |
| Cam Sleeve (Assem.) | 5, 11 |
| Carriage (Assem.) | 7 |
| Code Discs | 3 |
| Condensers | 9,13,17 |
| Contact (Assem.) | 14 |
| Copyholder | 18 |
| Cords (Power & Line) | 13 |
| Covers | 18 |
| D.C. Motor Bracket (Assem.) | 17 |
| Draw Strap | 1 |
| Function Arms | 3 |
| Function Control (Assem.) | 14 |
| Function Plate (Assem.) | 6 |
| Gears | 9,15,16 |
| Governor Parts | 17 |
| Index (Numerical) | 21 |
| Keyboard (Assem.) Top View | 9 |
| Keyboard (Assem.) Bottom View | 10 |
| Keyboard Shaft (Assem.) | 11 |
| Keytops | 19 |
| Main Frame (Assem.) | 2 |
| Motors | 15,16 |
| Motor Bracket (Assem.) - D.C. | 17 |
| Motor Control Relay (Assem.) | 13 |
| Notes of Explanation | 20 |
| Name Plates | 9,12 |
| Numerical Index | 21 |
| Number Plates | 9,12 |
| Pallets | 19 |
| Paper Bracket Parts | 8 |

ALPHABETICAL INDEX, CONT.

| | Page |
|---|------------|
| Paper Chute (Assem.) | 8 |
| Paper Roll Holder | 8 |
| Paper Roll Spindle | 8 |
| Platen (Assem.) | 7 |
| Power & Line Cords | 13 |
| Printer Line Relay Mounting (Assem.) | 13 |
| Range Finder (Assem.) | 5 |
| Rear Frame (Assem.) | 1 |
| Receiving Base | 12 |
| Relay Mounting - Printer Line | 13 |
| Relay - Motor Control | 13 |
| Resistor (Round Type) | 9,12,13,17 |
| Ribbon Feed Mechanism (Assem.) | 4 |
| Selector Drum (Assem.) | 3 |
| Selector Shaft (Assem.) | 5 |
| Selector Unit (Assem.) | 5 |
| Set of Paper Bracket Parts (Assem.) | 8 |
| Set of Parts for Break Lock Mechanism | 14 |
| Set of Parts for Motor Control Mechanism | 14 |
| Set of Parts for Remote Signal Bell Contact | 14 |
| Spring Drum (Assem.) | 1 |
| Stop Arm | 3 |
| Switch - Toggle | 12 |
| Tools | 4 |
| Terminal Block | 13,14 |
| Transmitter (Assem.) | 11 |
| Type Wheel Pallets | 19 |
| Type Wheel (Assem.) | 4 |



- 90667 UPPER TRACK
- 8896 SHIM
- 82440 SCREW
- 2191 LOCK WASHER
- 7002 WASHER
- 90819 PLATEN HANDLE BRACKET
- 71647 SHIM
- 6745 SCREW
- 2669 LOCK WASHER
- 34432 WASHER
- 90662 BELL HAMMER
- 1039 SCREW
- 7002 WASHER
- 2191 LOCK WASHER
- 3598 NUT
- 35-70 SPRING
- 34404 SPRING
- 80294 POST
- 78723 ECCENTRIC
- 1178 SCREW
- 2191 LOCK WASHER
- 90697 PIVOT SCREW
- 34-4 NUT
- 44035 SCREW
- 2669 LOCK WASHER
- 3438 WASHER
- 90699 L.F. BRACKET
- 44035 SCREW
- 2669 LOCK WASHER
- 2610 MARGIN BELL
- 6746 SCREW
- 2191 LOCK WASHER
- 7001 WASHER
- 90302 FRAME

- 78301 SCREW WASHER
- 2669 LOCK WASHER

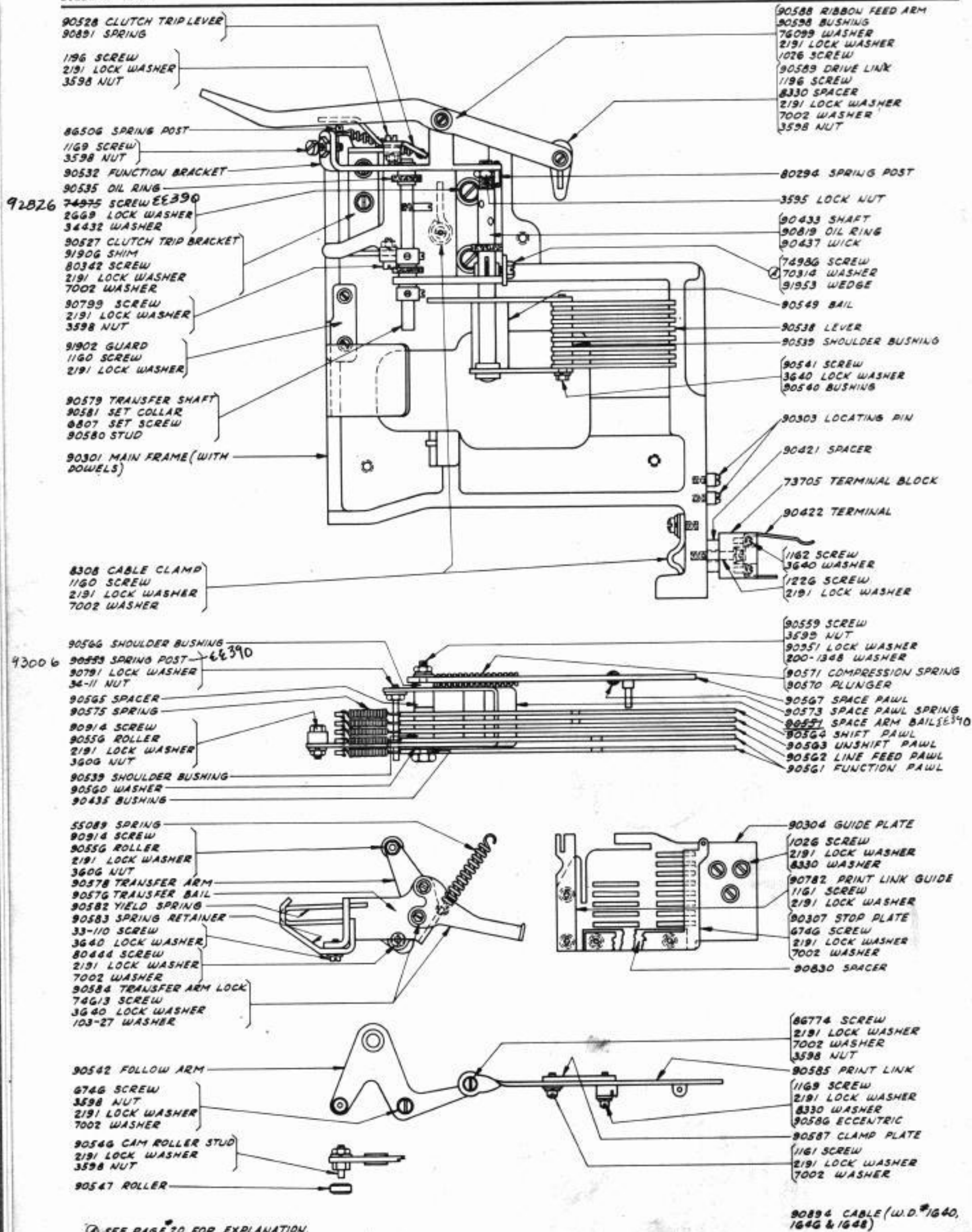
- 74028 CYLINDER
- 5446 SCREW
- 2191 LOCK WASHER
- 74162 CYLINDER HEAD
- 46092 NUT
- 2382 LOCK WASHER
- 35826 WASHER
- 74018 PISTON ROD
- 74029 PISTON HEAD
- 74033 WASHER (LEATHER)
- 74032 WASHER
- 34-4 NUT
- 2669 LOCK WASHER
- 74027 VENT SCREW
- 3595 NUT
- 2489 LOCK WASHER

- 90645 LOWER TRACK
- 1026 SCREW
- 2191 LOCK WASHER
- 91929 SPRING DRUM STOP
- 1121 SCREW
- 2669 LOCK WASHER
- 90526 SCREW
- 34-4 NUT
- 91938 BACKSTOP SUPPORT
- 91939 RUBBER
- 1026 SCREW
- 2191 LOCK WASHER
- 7002 WASHER
- 90380 SPRING DRUM (ASSEMBLY)
- 4704 SPRING
- 90659 SPRING HOOK
- 1168 SCREW
- 9640 LOCK WASHER
- 91926 ESCAPEMENT LEVER
- 90828 SCREW
- 90670 PIVOT SCREW
- 34-4 NUT
- 90657 BUFFER LEVER
- 90658 SCREW
- 3438 WASHER
- 34-4 NUT
- 2669 LOCK WASHER
- 3298 ECCENTRIC
- 1160 SCREW
- 2191 LOCK WASHER
- 8330 SPACER
- 90660 TRIP ROD
- 43954 GONG
- 80467 SCREW
- 2191 LOCK WASHER
- 76481 WASHER
- 90667 GONG BRACKET
- 1160 SCREW
- 2191 LOCK WASHER
- 90644 UPPER BEARING
- 90679 OIL RING
- 1026 SCREW
- 2191 LOCK WASHER
- 90643 SPACING RATCHET
- 1026 SCREW
- 2191 LOCK WASHER
- 90640 SPACER SHAFT

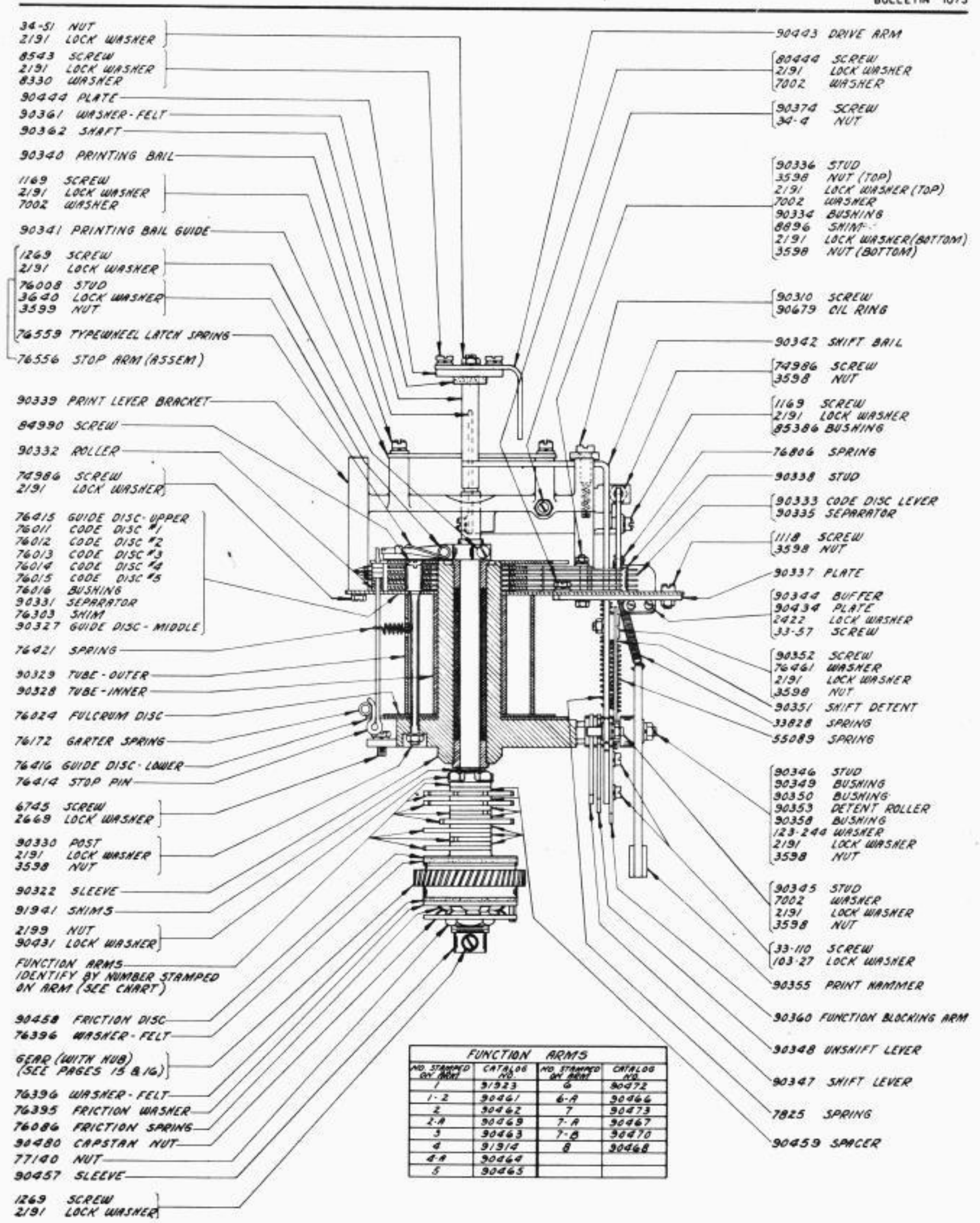
- 34-4 NUT
- 2669 LOCK WASHER
- 34432 WASHER
- 90385 DRUM SHAFT
- 90391 OIL RING
- 90381 DRUM
- 90389 SPRING
- 90390 COVER
- 34-4 NUT
- 2669 LOCK WASHER
- 34432 WASHER



90898 DRAW STRAP



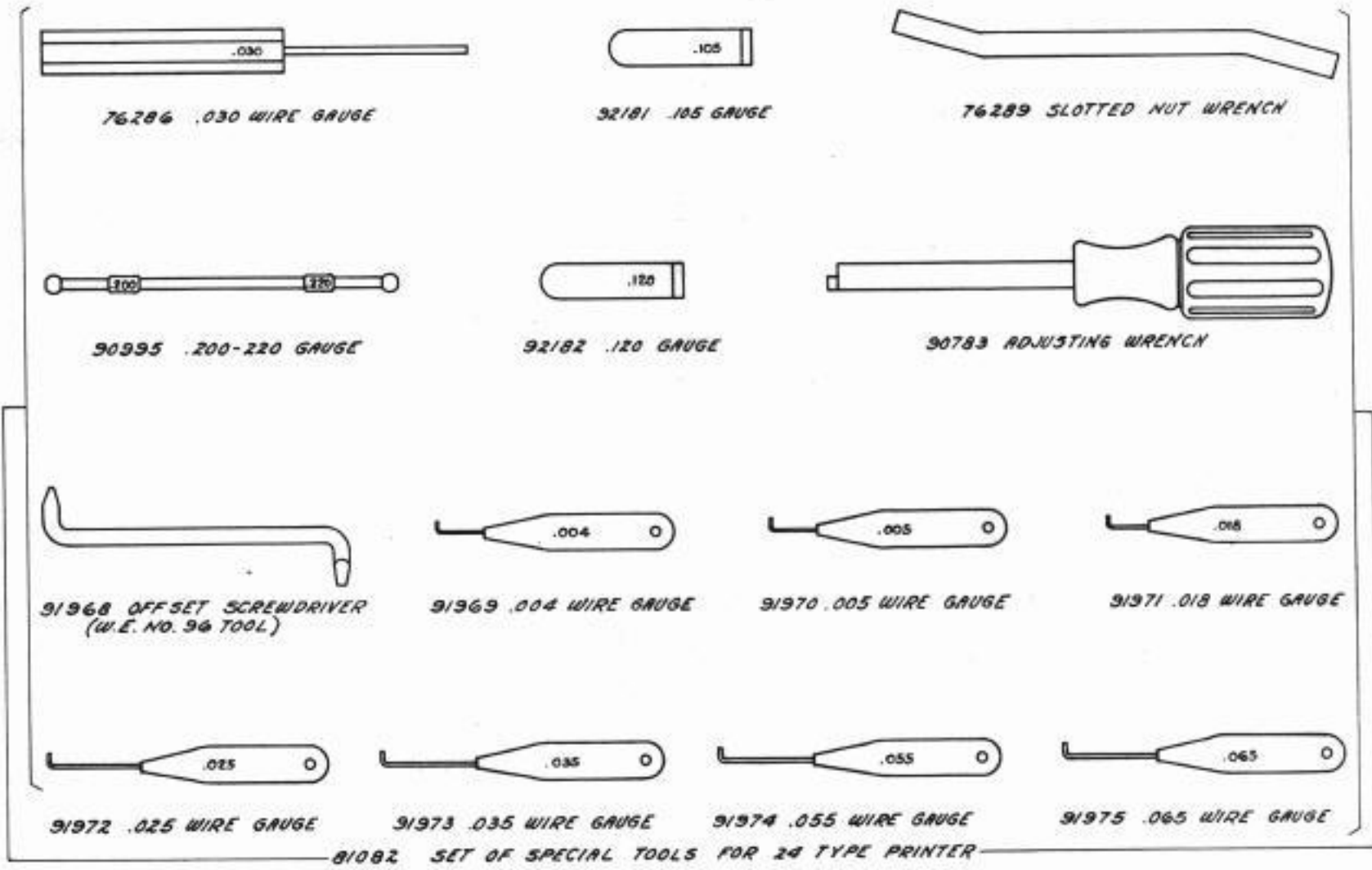
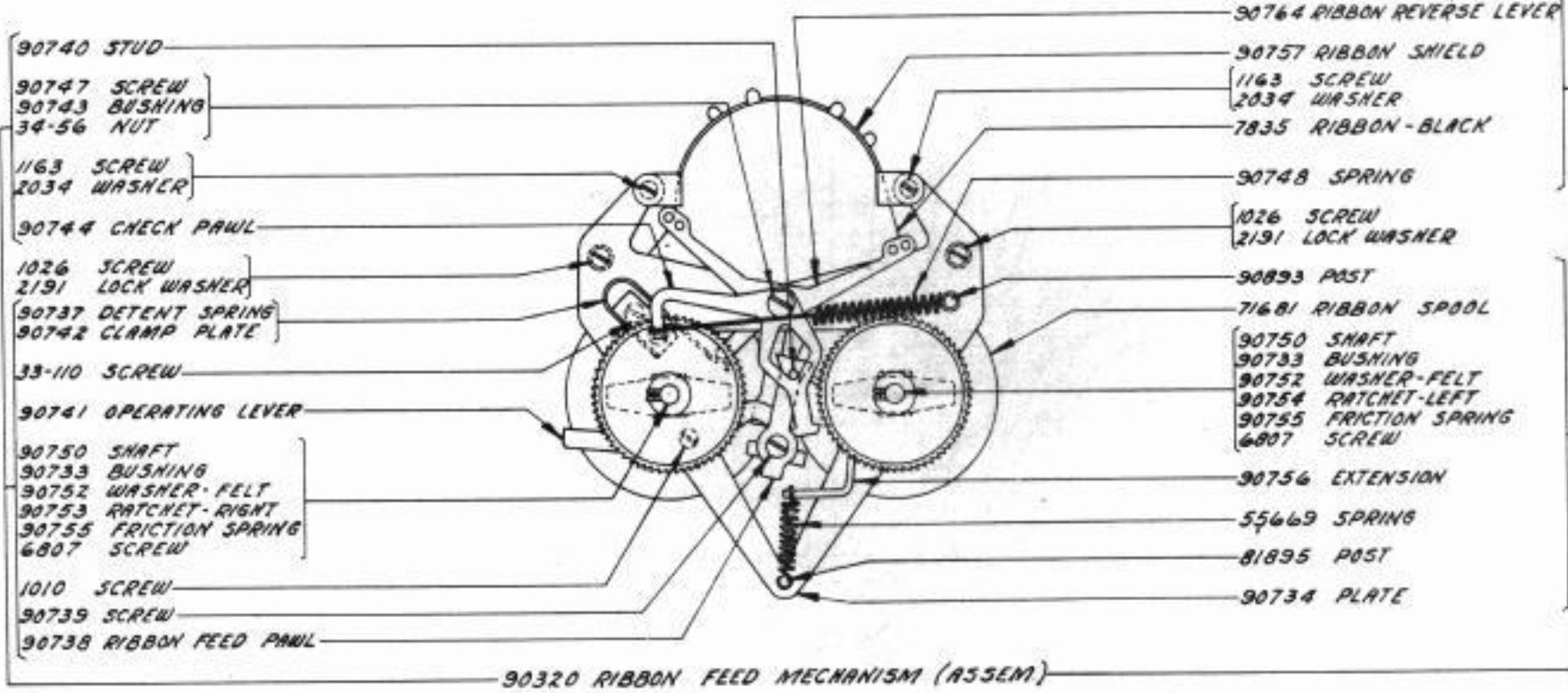
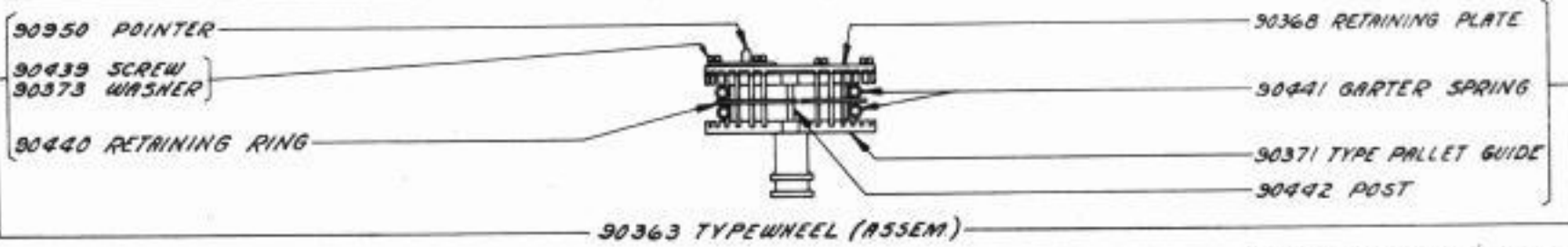
SEE PAGE 20 FOR EXPLANATION.

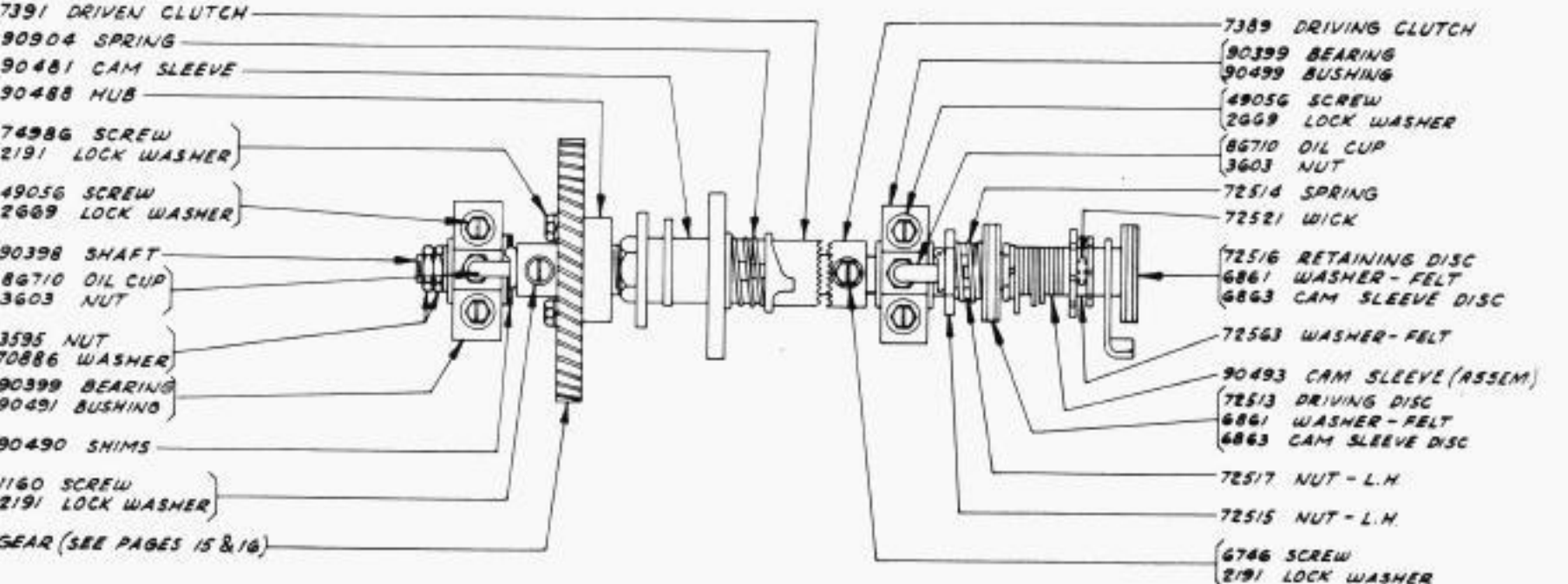
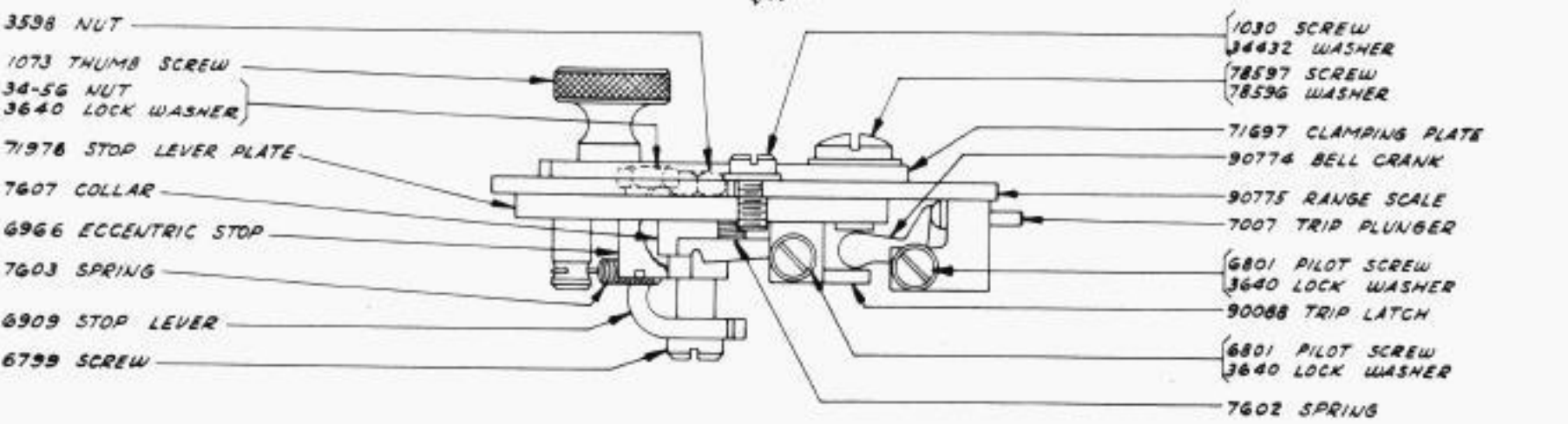
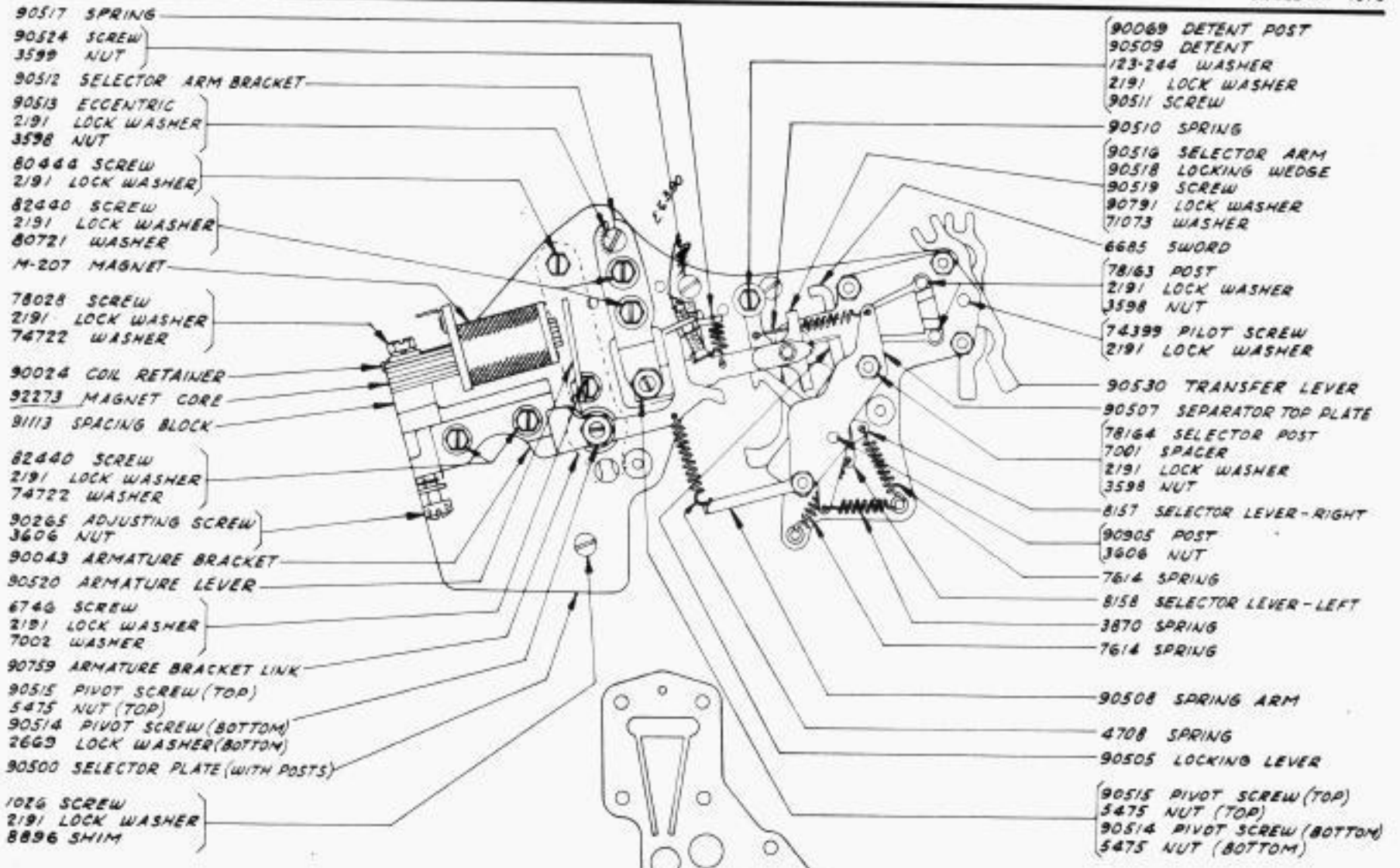


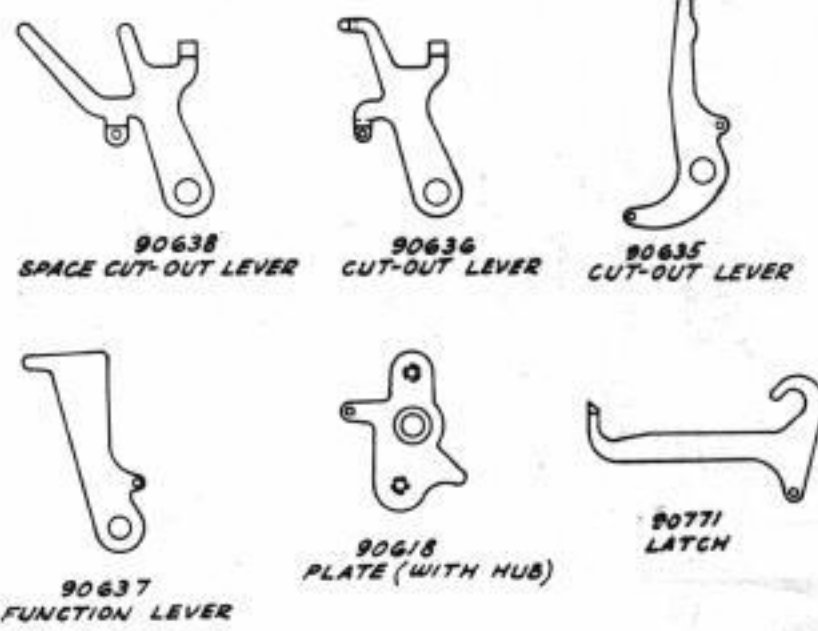
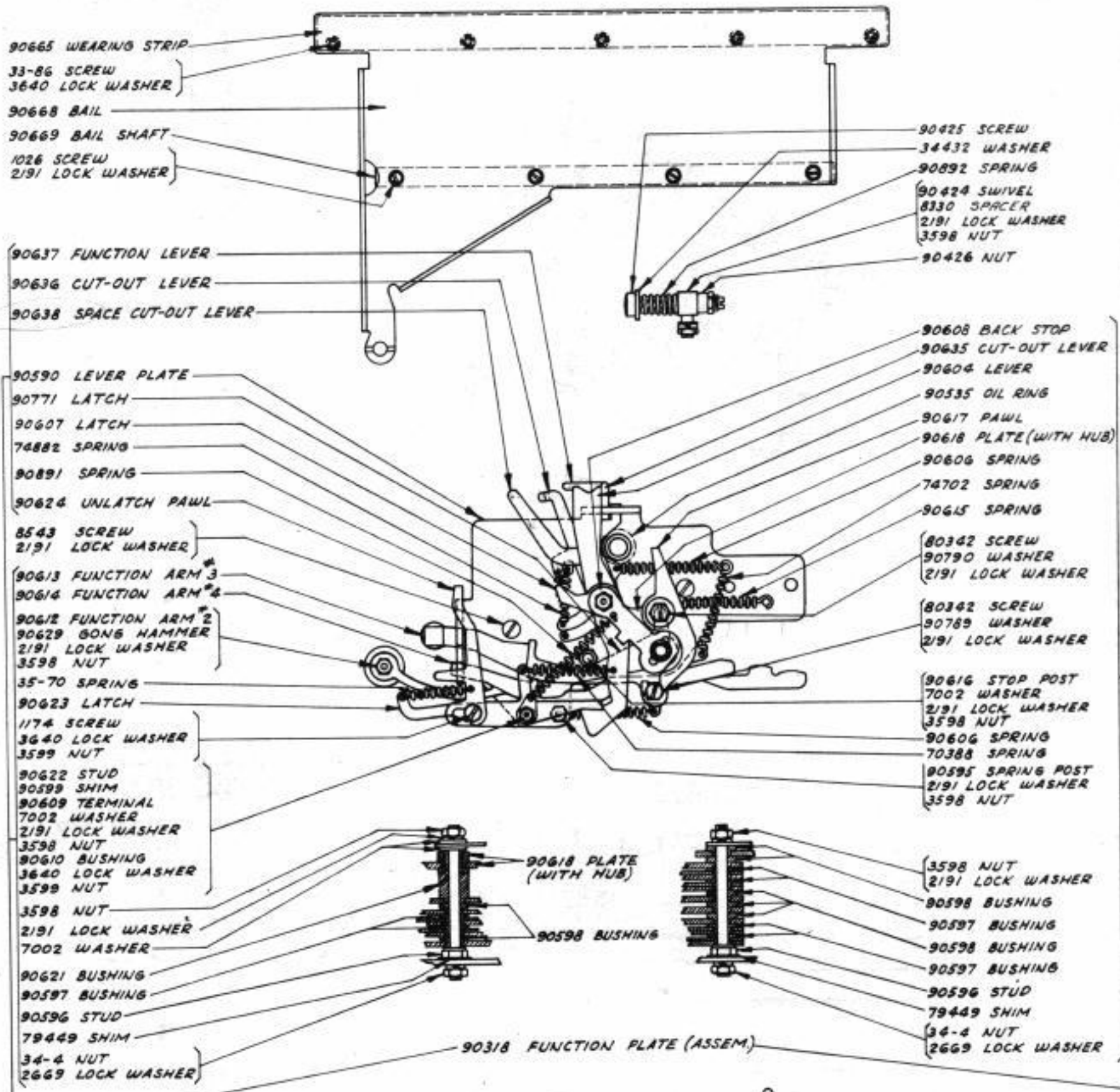
- 34-51 NUT
- 2191 LOCK WASHER
- 8543 SCREW
- 2191 LOCK WASHER
- 8330 WASHER
- 90444 PLATE
- 90361 WASHER-FELT
- 90362 SHAFT
- 90340 PRINTING BAIL
- 1169 SCREW
- 2191 LOCK WASHER
- 7002 WASHER
- 90341 PRINTING BAIL GUIDE
- 1269 SCREW
- 2191 LOCK WASHER
- 76008 STUD
- 3640 LOCK WASHER
- 3599 NUT
- 76559 TYPEWHEEL LATCH SPRING
- 76556 STOP ARM (ASSEM)
- 90339 PRINT LEVER BRACKET
- 84990 SCREW
- 90332 ROLLER
- 74986 SCREW
- 2191 LOCK WASHER
- 76415 GUIDE DISC-UPPER
- 76011 CODE DISC #1
- 76012 CODE DISC #2
- 76013 CODE DISC #3
- 76014 CODE DISC #4
- 76015 CODE DISC #5
- 76016 BUSHING
- 90331 SEPARATOR
- 76303 SHIM
- 90327 GUIDE DISC-MIDDLE
- 76421 SPRING
- 90329 TUBE-OUTER
- 90328 TUBE-INNER
- 76024 FULCRUM DISC
- 76172 GARTER SPRING
- 76416 GUIDE DISC-LOWER
- 76414 STOP PIN
- 6745 SCREW
- 2669 LOCK WASHER
- 90330 POST
- 2191 LOCK WASHER
- 3598 NUT
- 90322 SLEEVE
- 91941 SHIMS
- 2199 NUT
- 90431 LOCK WASHER
- FUNCTION ARMS
IDENTIFY BY NUMBER STAMPED
ON ARM (SEE CHART)
- 90458 FRICTION DISC
- 76396 WASHER-FELT
- GEAR (WITH HUB)
(SEE PAGES 15 & 16)
- 76396 WASHER-FELT
- 76395 FRICTION WASHER
- 76086 FRICTION SPRING
- 90480 CAPSTAN NUT
- 77140 NUT
- 90457 SLEEVE
- 1269 SCREW
- 2191 LOCK WASHER

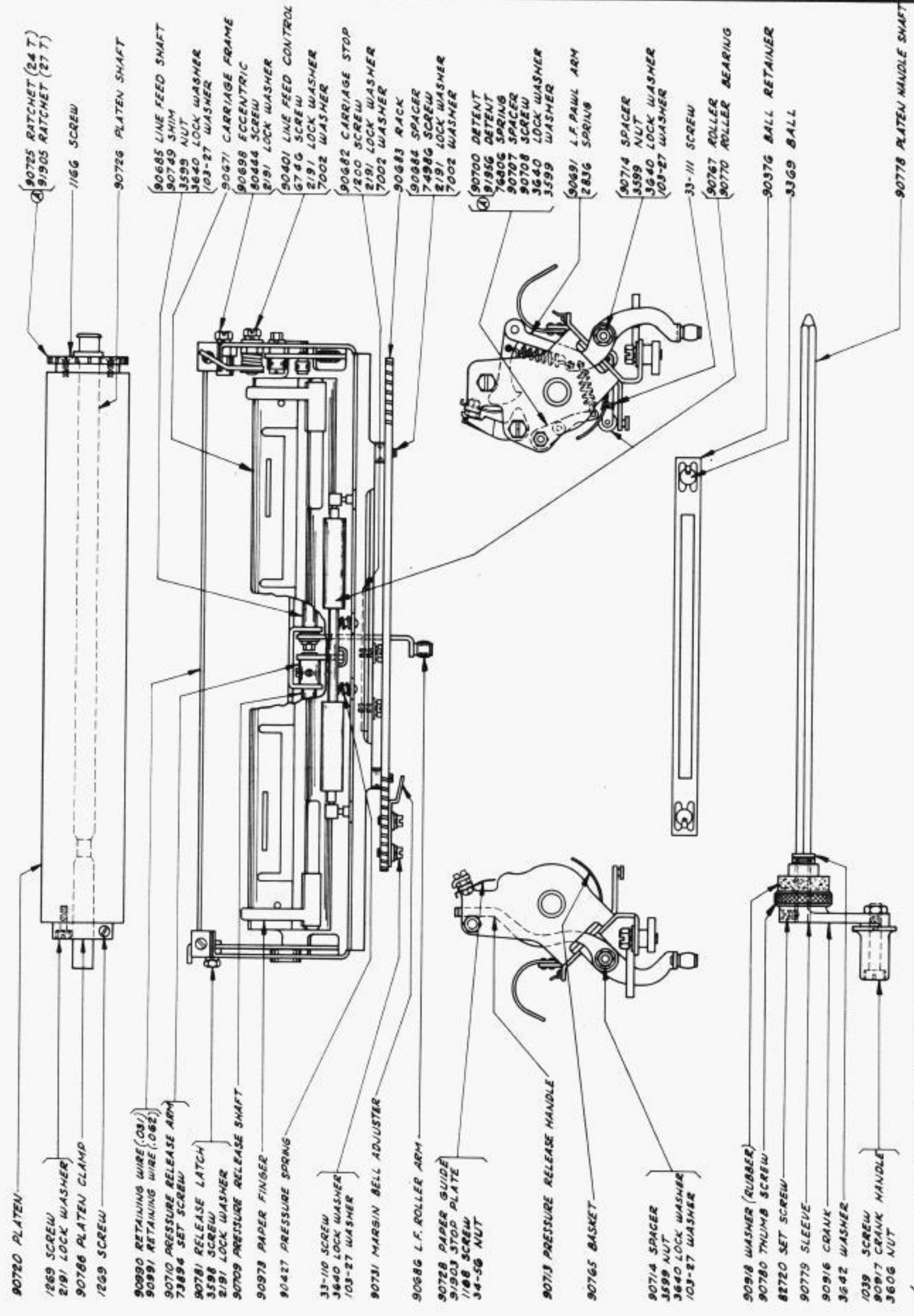
- 90443 DRIVE ARM
- 80444 SCREW
- 2191 LOCK WASHER
- 7002 WASHER
- 90374 SCREW
- 34-4 NUT
- 90336 STUD
- 3598 NUT (TOP)
- 2191 LOCK WASHER (TOP)
- 7002 WASHER
- 90334 BUSHING
- 8896 SHIM
- 2191 LOCK WASHER (BOTTOM)
- 3598 NUT (BOTTOM)
- 90310 SCREW
- 90679 OIL RING
- 90342 SHIFT BAIL
- 74986 SCREW
- 3598 NUT
- 1169 SCREW
- 2191 LOCK WASHER
- 85386 BUSHING
- 76806 SPRING
- 90338 STUD
- 90333 CODE DISC LEVER
- 90335 SEPARATOR
- 1118 SCREW
- 3598 NUT
- 90337 PLATE
- 90344 BUFFER
- 90434 PLATE
- 2422 LOCK WASHER
- 33-57 SCREW
- 90352 SCREW
- 76461 WASHER
- 2191 LOCK WASHER
- 3598 NUT
- 90351 SHIFT DETENT
- 33828 SPRING
- 55089 SPRING
- 90346 STUD
- 90349 BUSHING
- 90350 BUSHING
- 90353 DETENT ROLLER
- 90358 BUSHING
- 123-244 WASHER
- 2191 LOCK WASHER
- 3598 NUT
- 90345 STUD
- 7002 WASHER
- 2191 LOCK WASHER
- 3598 NUT
- 33-110 SCREW
- 103-27 LOCK WASHER
- 90355 PRINT HAMMER
- 90360 FUNCTION BLOCKING ARM
- 90348 UNSHIFT LEVER
- 90347 SHIFT LEVER
- 7825 SPRING
- 90459 SPACER

| FUNCTION ARMS | | | |
|--------------------|-------------|--------------------|-------------|
| NO. STAMPED ON ARM | CATALOG NO. | NO. STAMPED ON ARM | CATALOG NO. |
| 1 | 90463 | 6 | 90472 |
| 1-2 | 90461 | 6-A | 90466 |
| 2 | 90462 | 7 | 90473 |
| 2-A | 90469 | 7-A | 90467 |
| 3 | 90463 | 7-B | 90470 |
| 4 | 91914 | 8 | 90468 |
| 4-A | 90464 | | |
| 5 | 90465 | | |

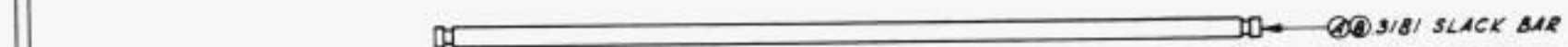
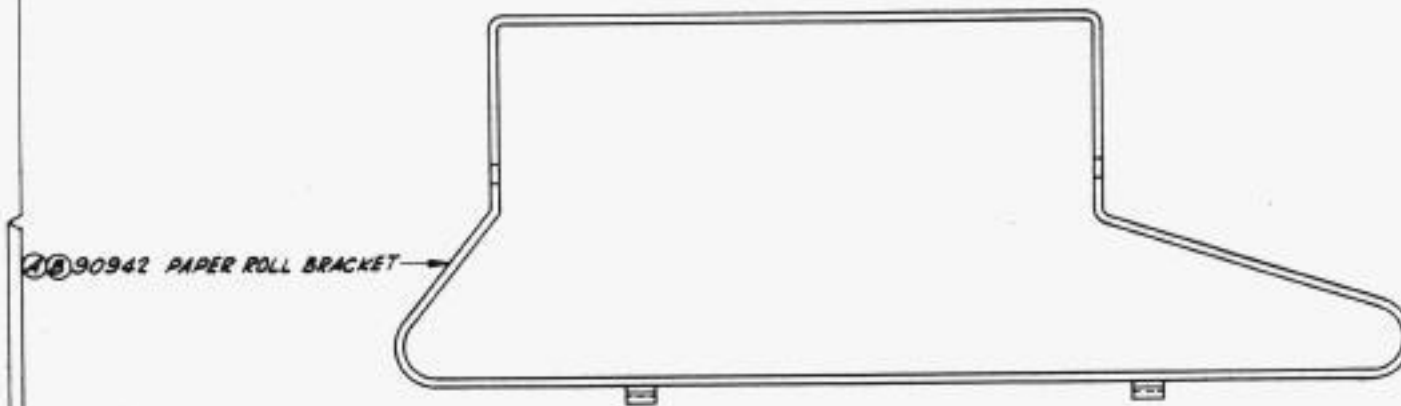
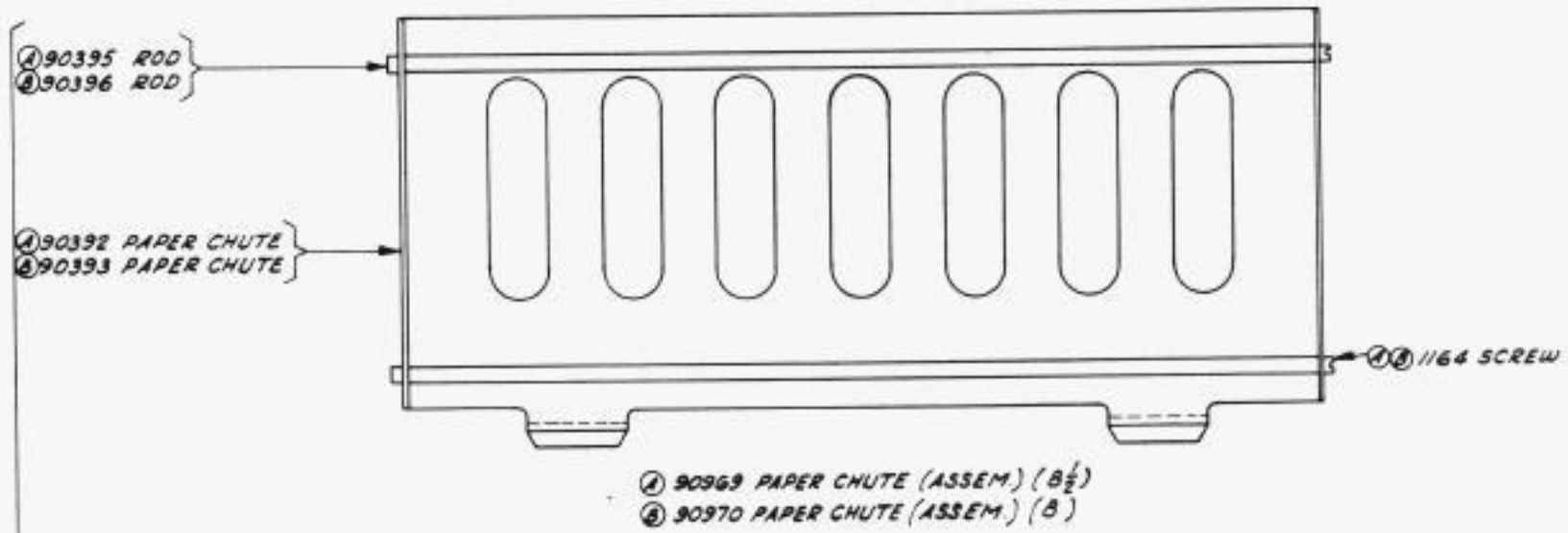
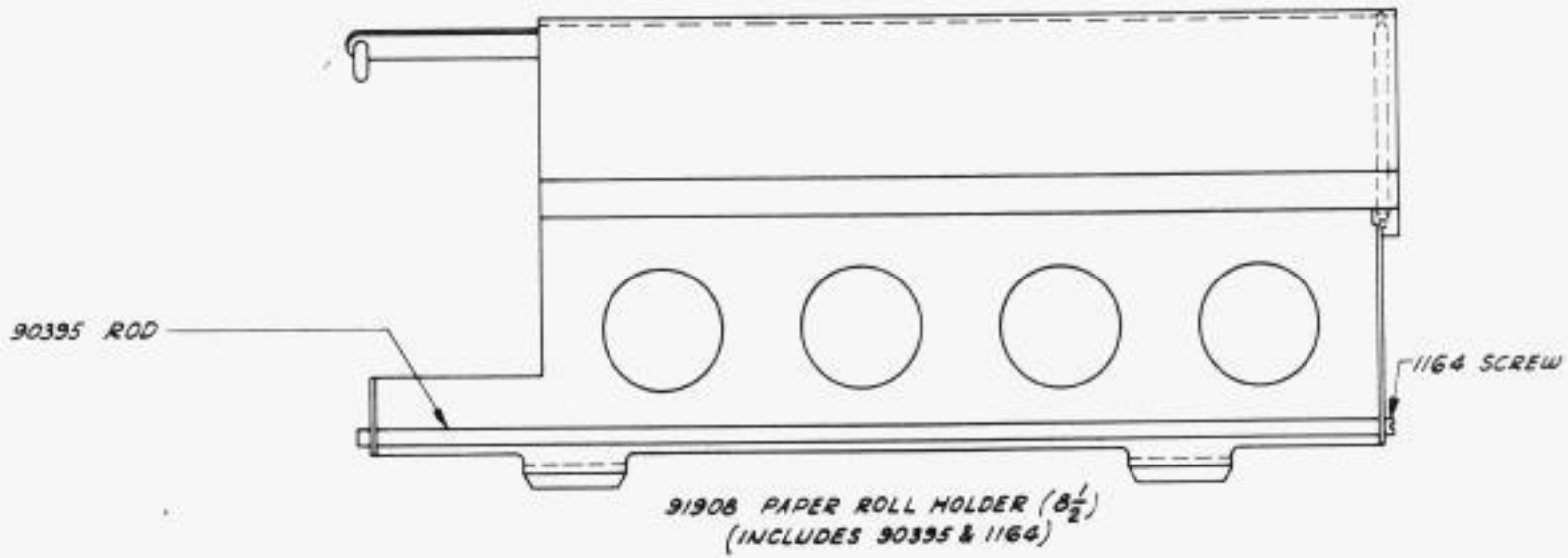




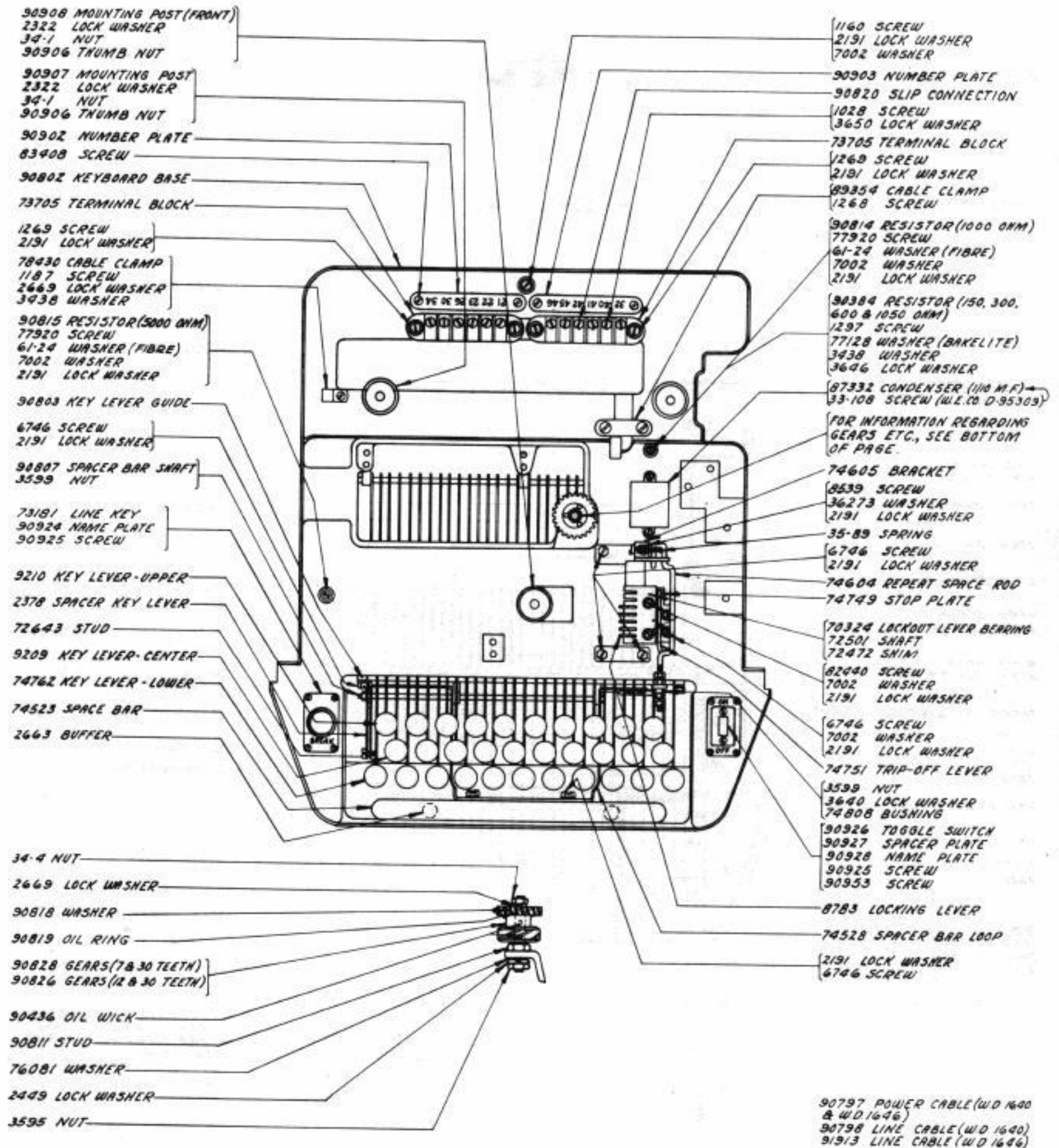




90700 DETENT USED WITH 90725 RATCHET (24-T)
91956 DETENT USED WITH 91905 RATCHET (27-T)



① 90968 SET OF PAPER BRACKET PARTS (ASSEM.) (B $\frac{1}{2}$) INCLUDES ALL PARTS MARKED ①
② 90971 SET OF PAPER BRACKET PARTS (ASSEM.) (B) INCLUDES ALL PARTS MARKED ②

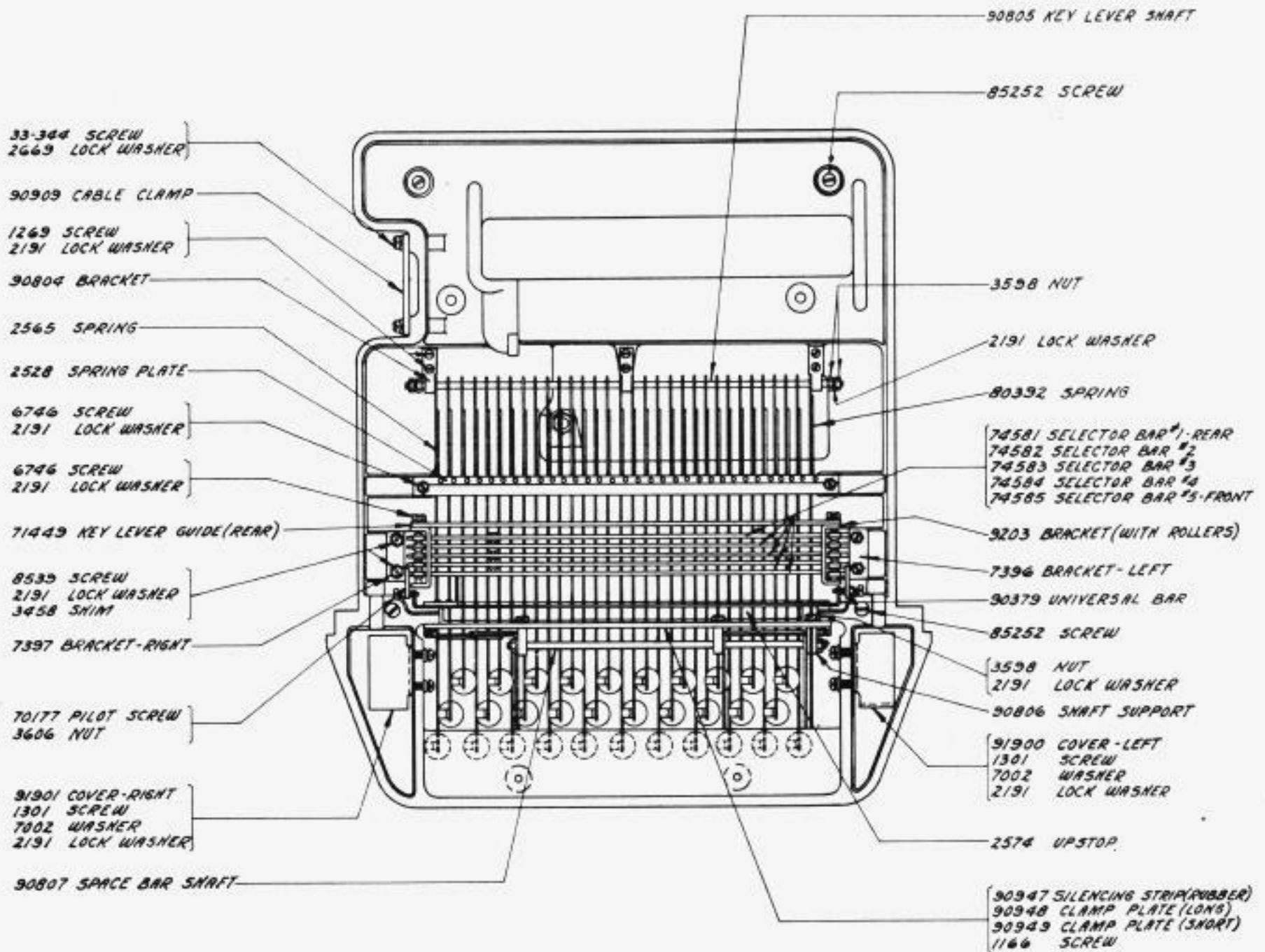


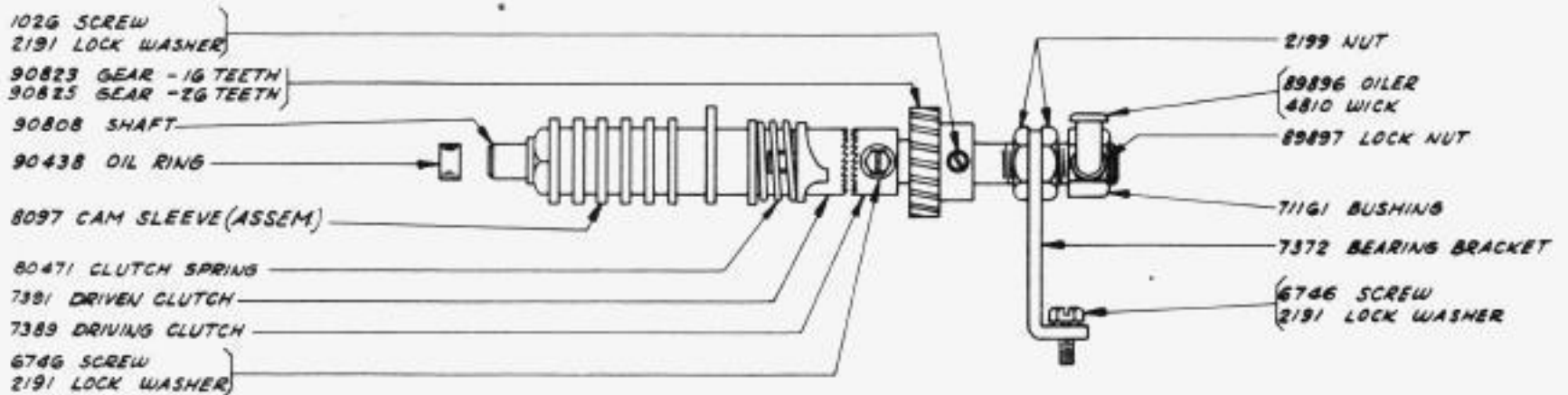
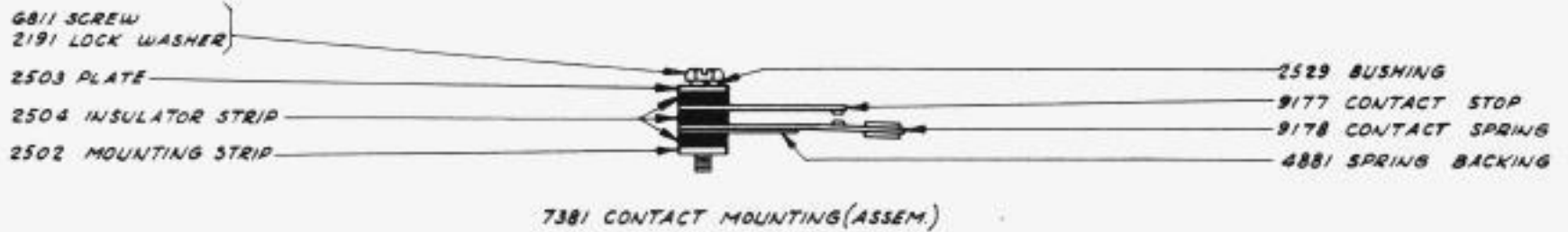
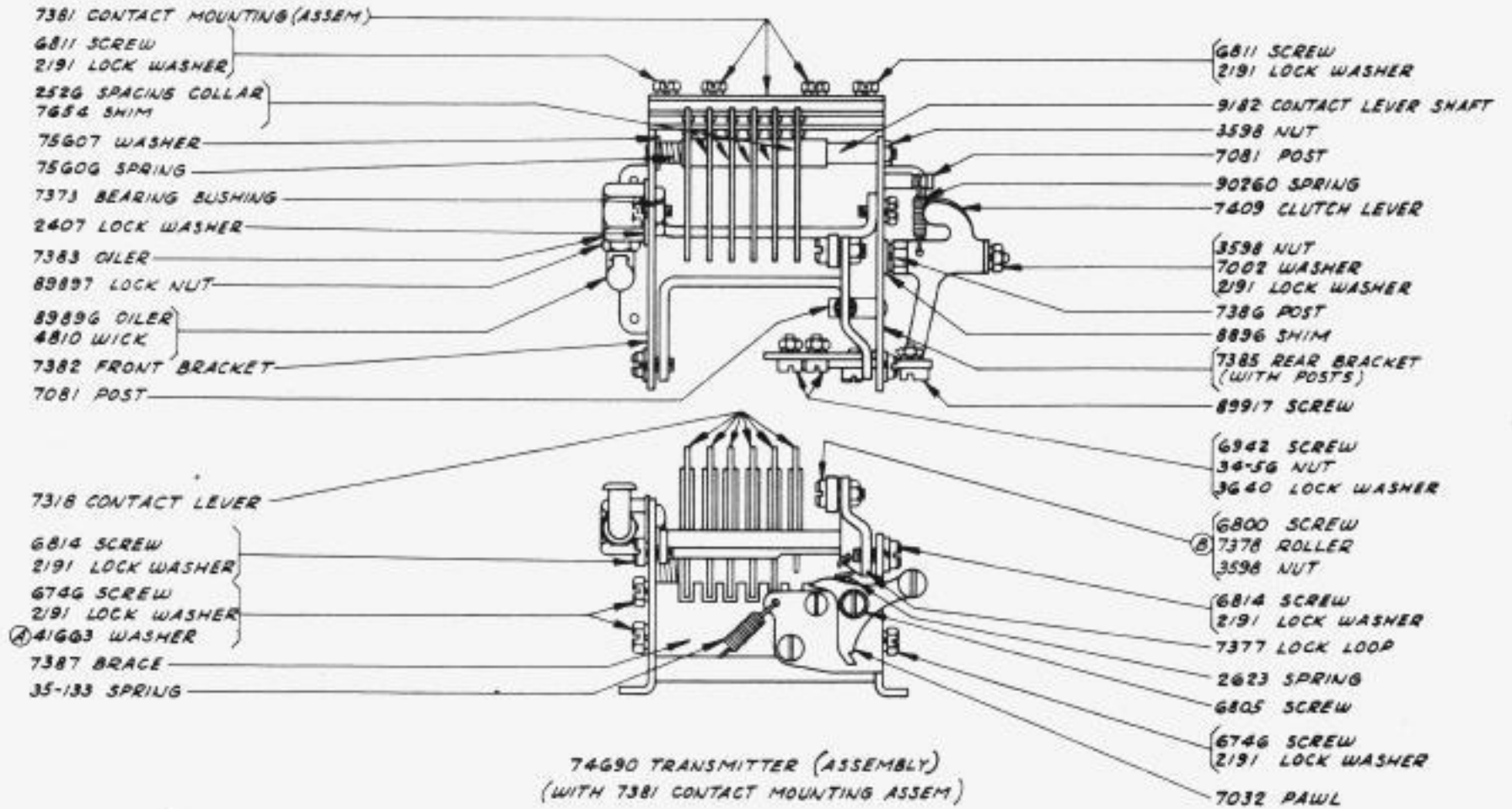


90900 CONNECTOR

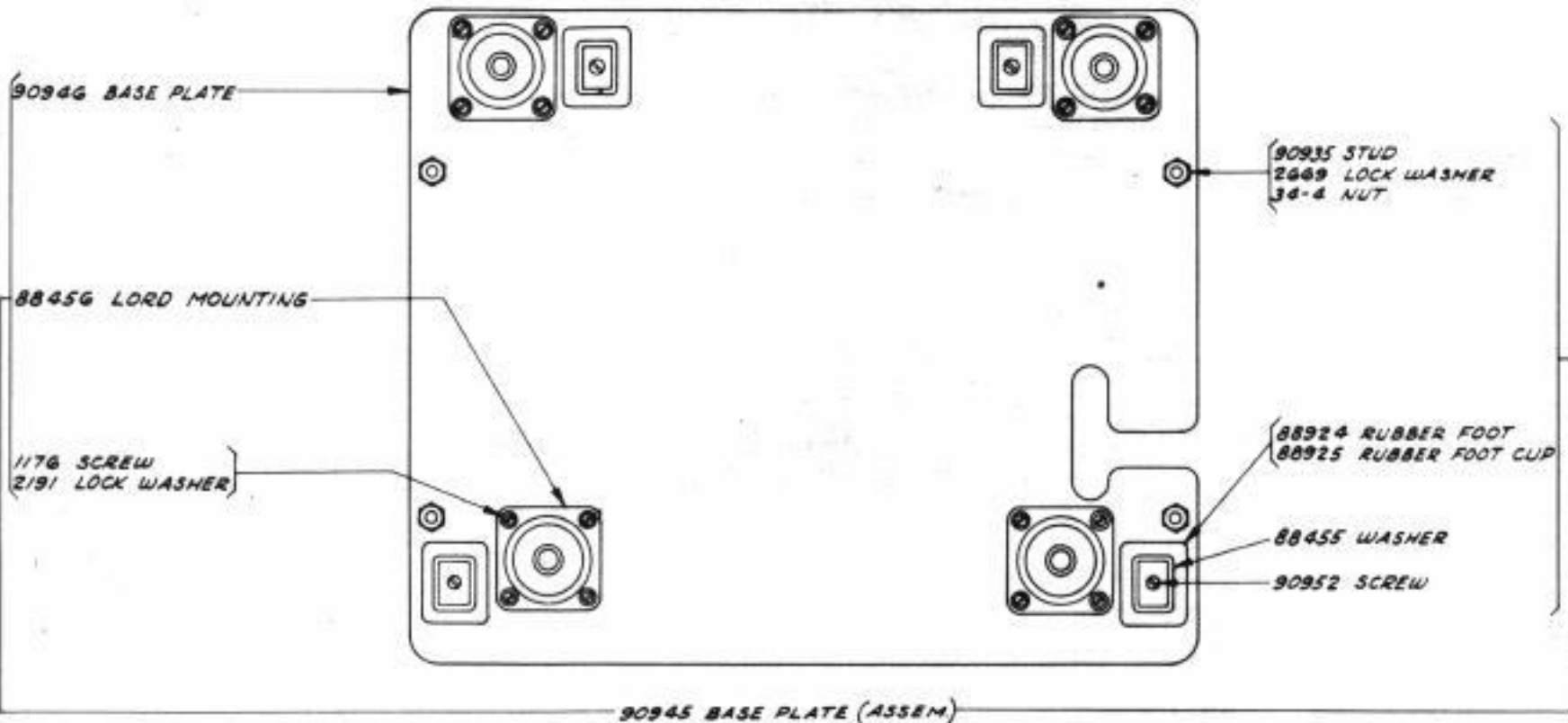
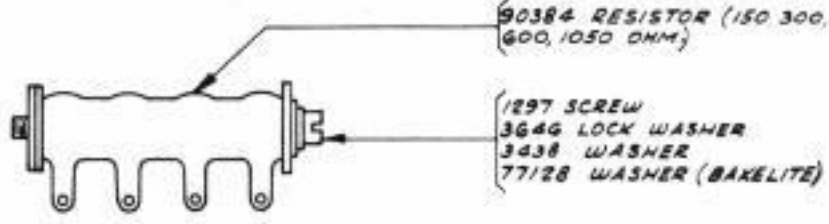
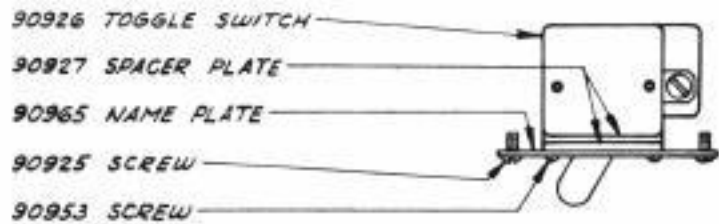
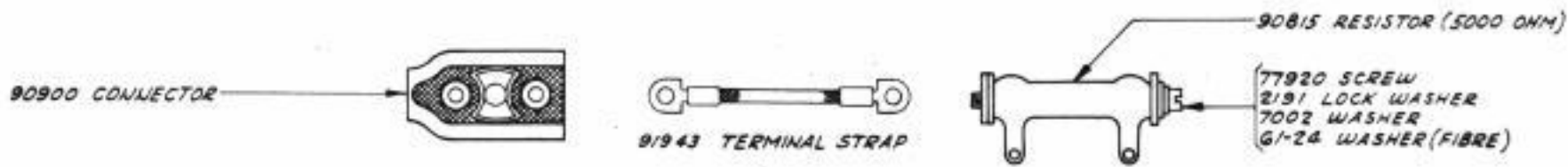
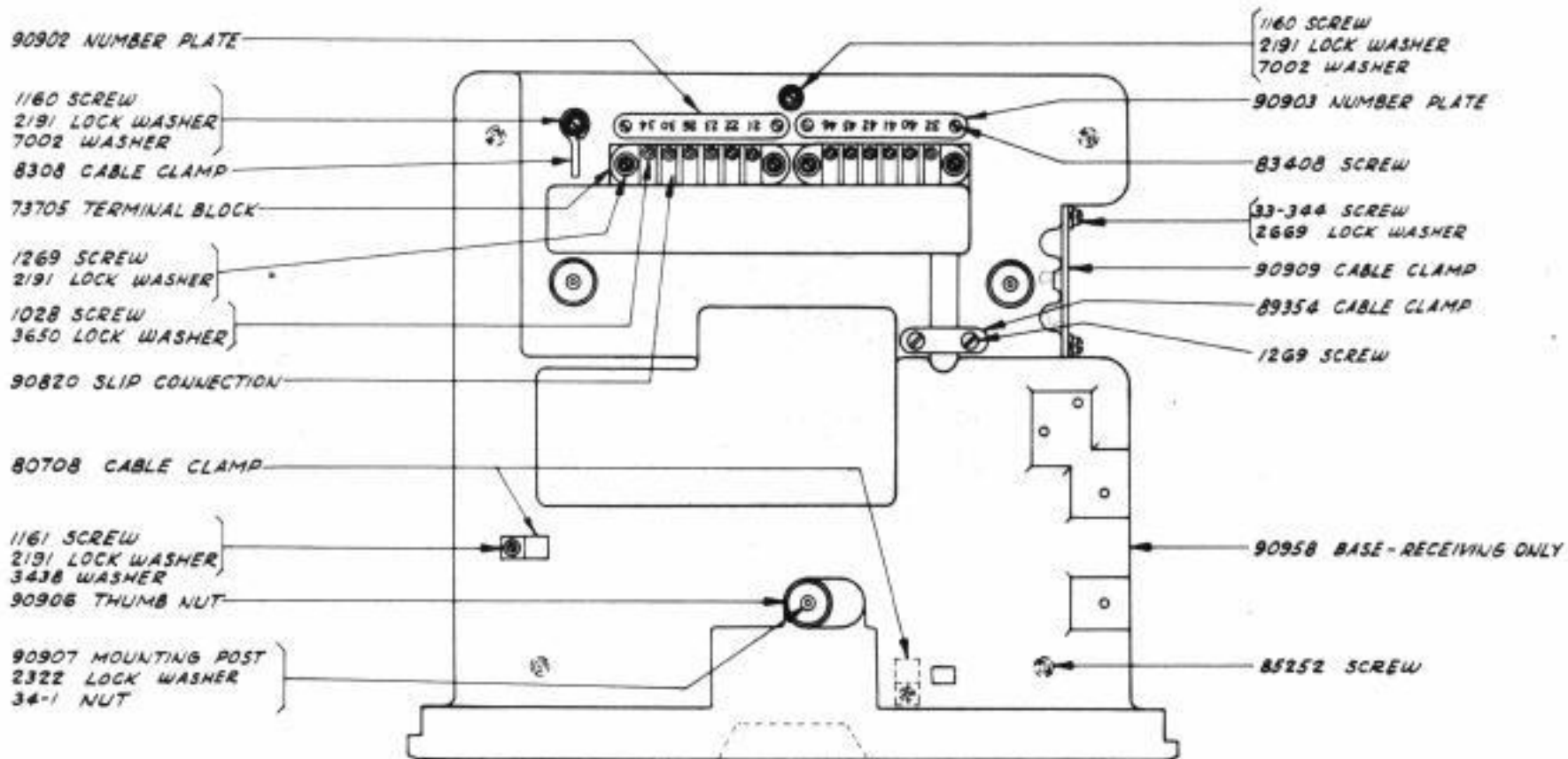


91943 STRAP

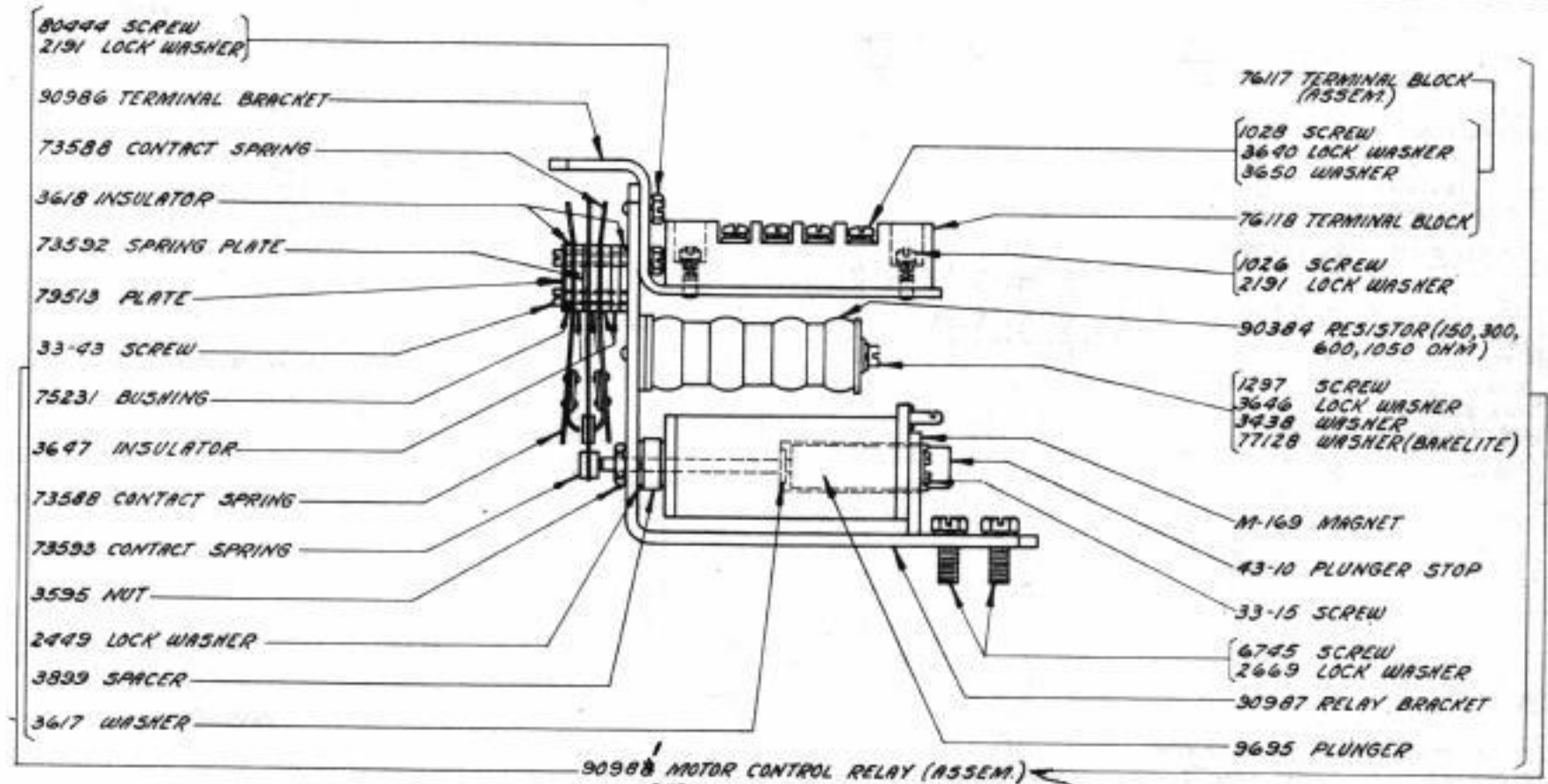
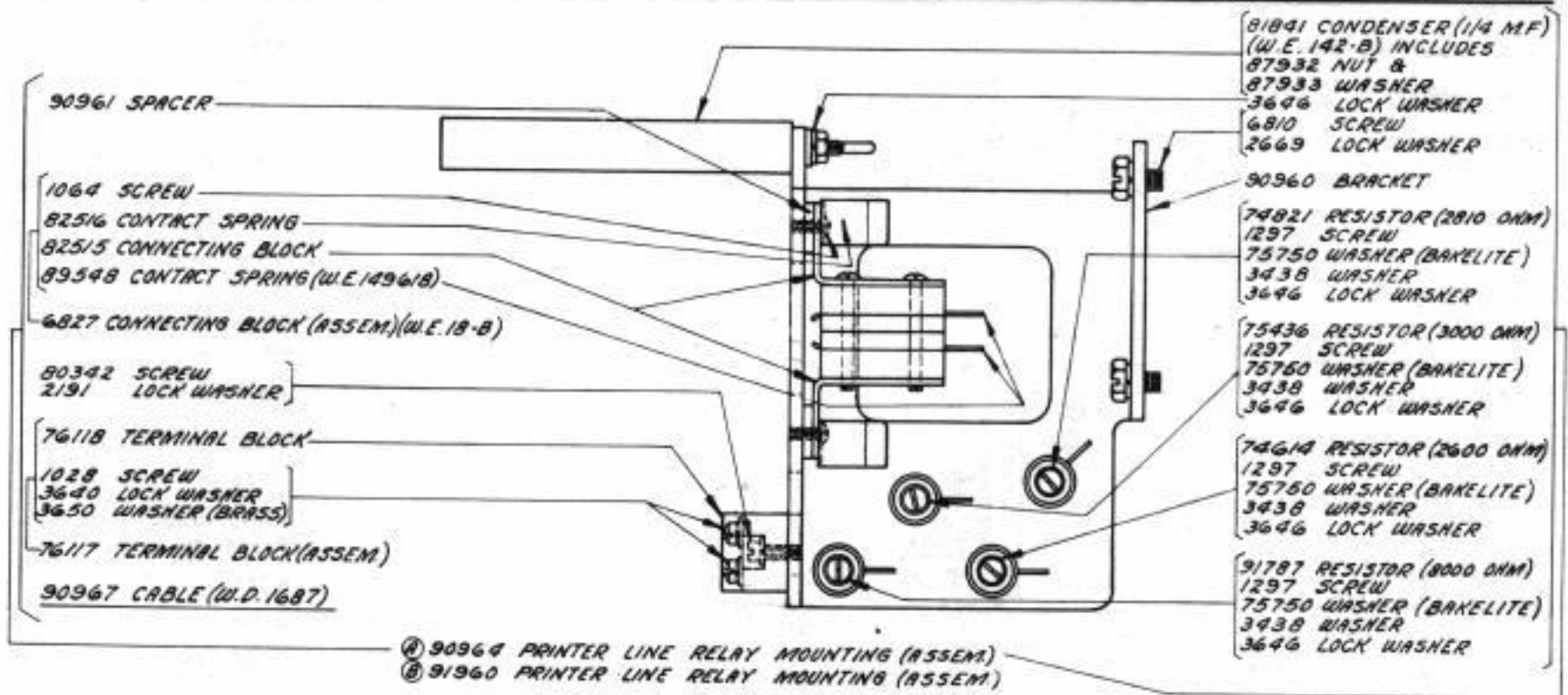




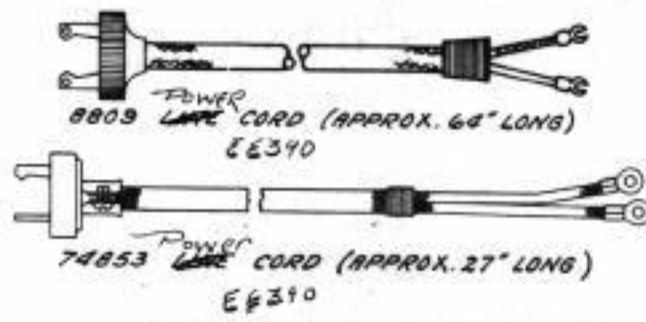
NOTE
② ② SEE PAGE 20 FOR EXPLANATION



POWER CABLE 91912-LINE CABLE 91952-W.D. 1668
POWER CABLE 91912-LINE CABLE 90966-W.D. 1646

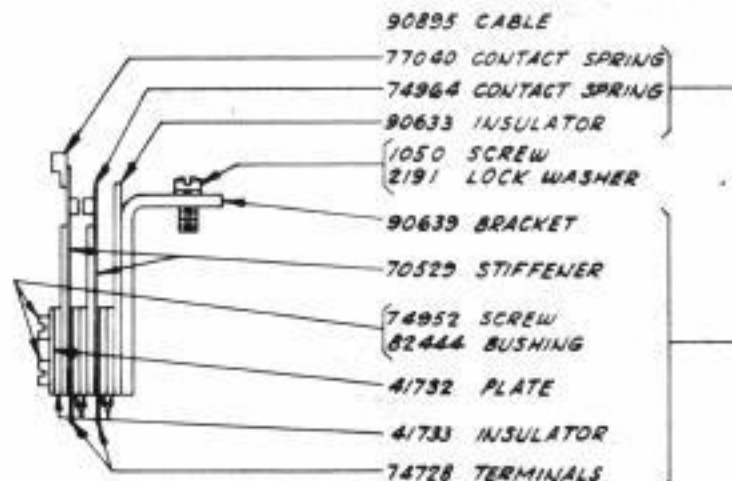
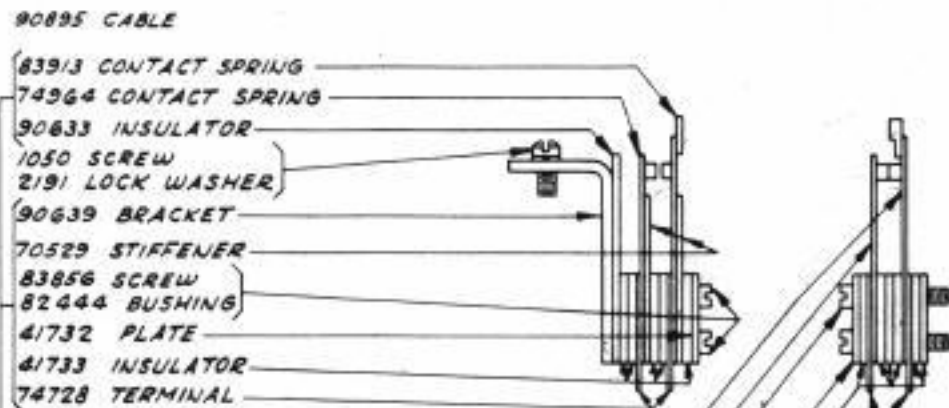
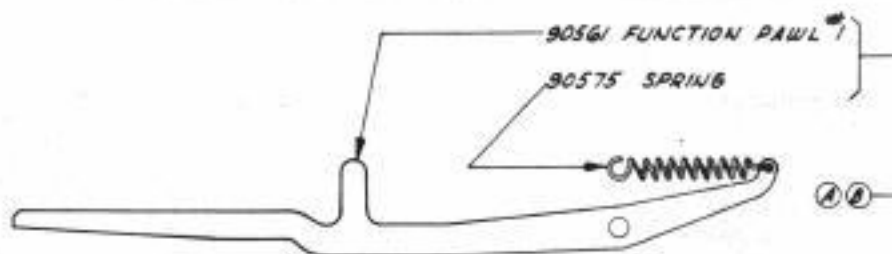
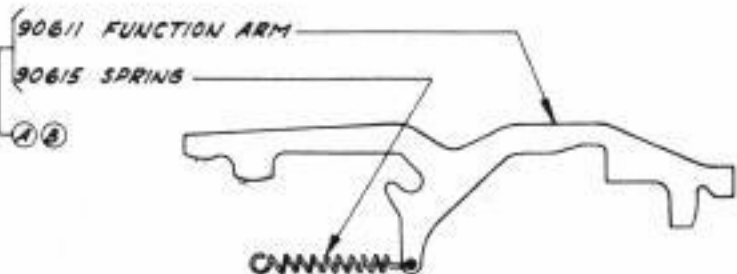


8811 LINE CORD (APPROX. 64" LONG)
89472 LINE CORD (APPROX. 42" LONG)



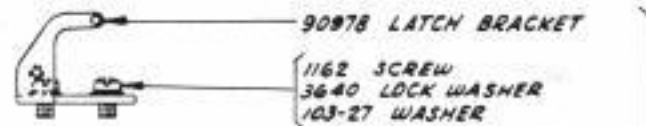
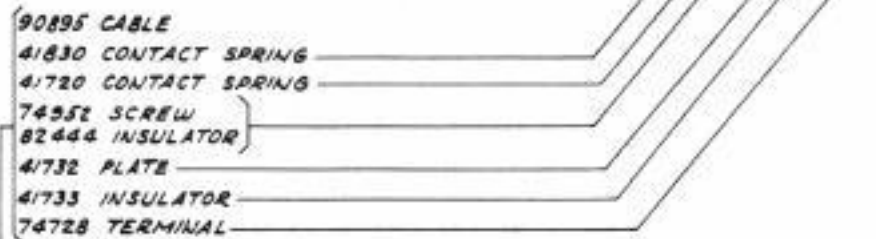
Ⓐ FOR 20 MIL LINE OPERATION
Ⓑ FOR 60 MIL LINE OPERATION

NOTE:
91960 IS THE SAME AS 90964
EXCEPT THE 8000 OHM RESISTOR
(91787) IS SHORT CIRCUITED.



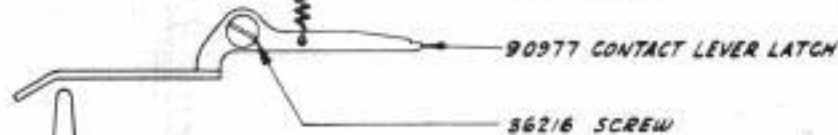
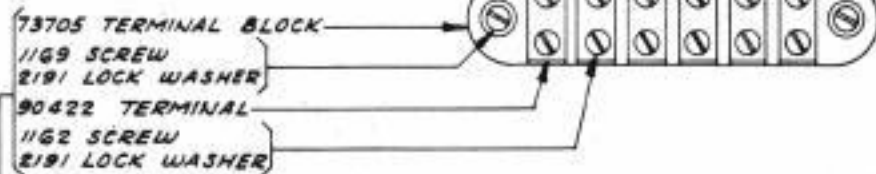
(C) 91961 CONTACT BRACKET (ASSEM.)

(A) (B) 90772 CONTACT BRACKET (ASSEM.)



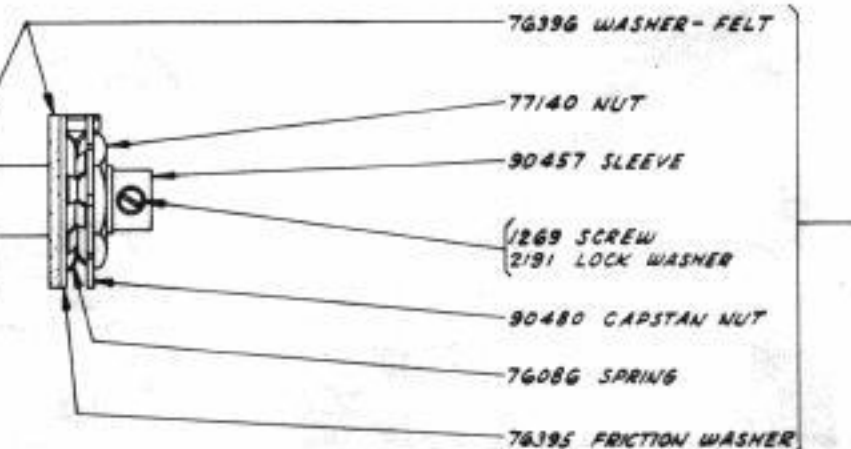
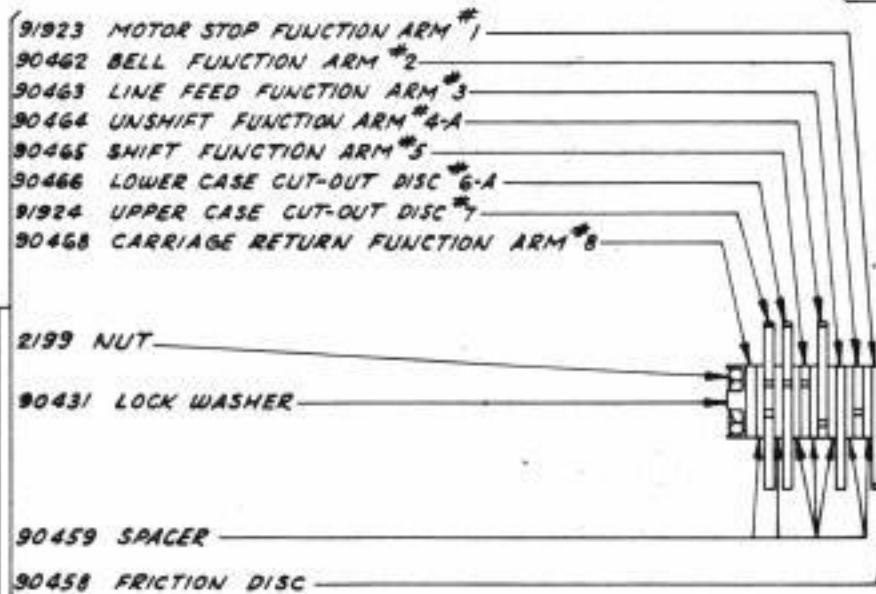
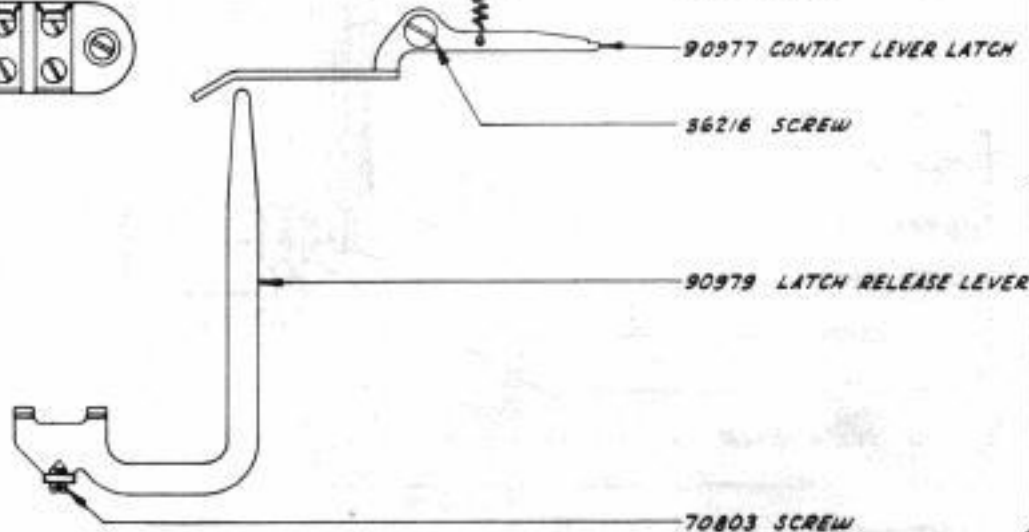
(A) 91909 DISTRIBUTOR CONTROL CONTACTS (ASSEM.)

7603 SPRING



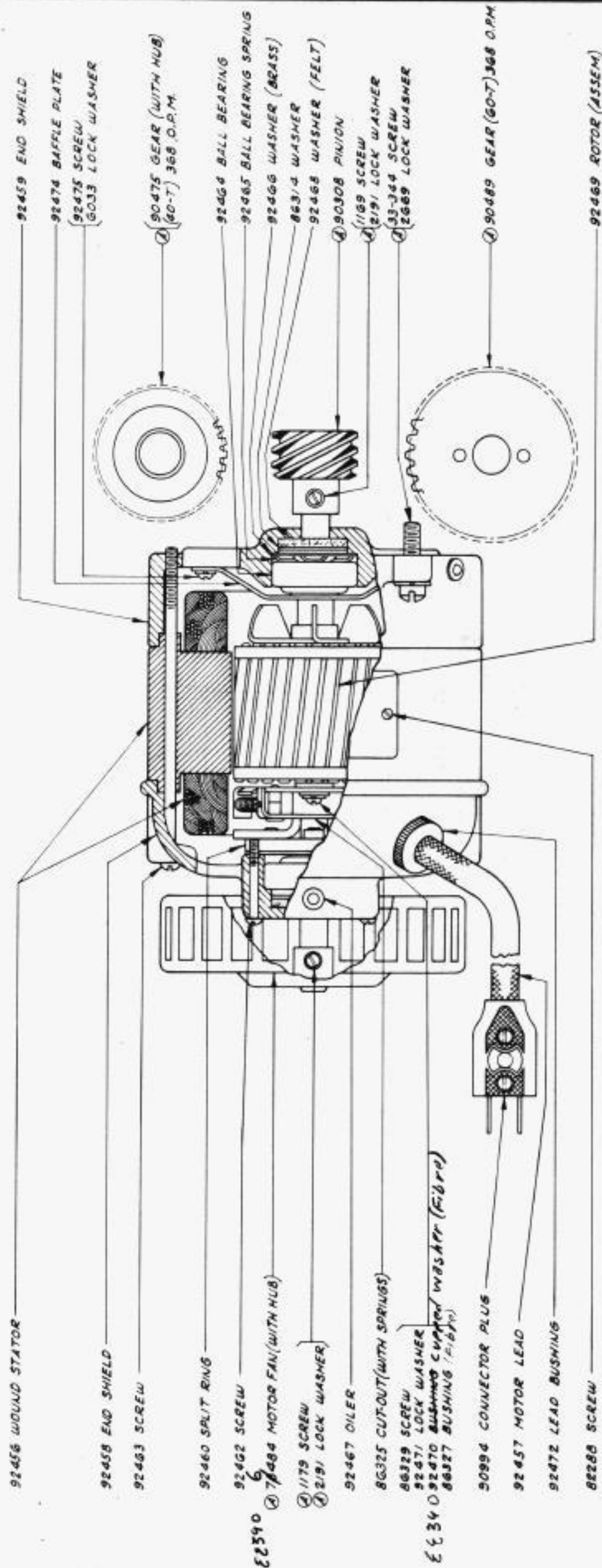
(A) (B) (C)

90979 LATCH RELEASE LEVER



(A) 91925 FUNCTION CONTROL (ASSEM.)

(A) 91910 SET OF PARTS FOR MOTOR CONTROL MECHANISM (INCLUDES ALL PARTS MARKED (A))
(B) 90989 SET OF PARTS FOR BREAK-LOCK MECHANISM (INCLUDES ALL PARTS MARKED (B))
(C) 91911 SET OF PARTS FOR REMOTE SIGNAL BELL CONTACT (INCLUDES ALL PARTS MARKED (C))

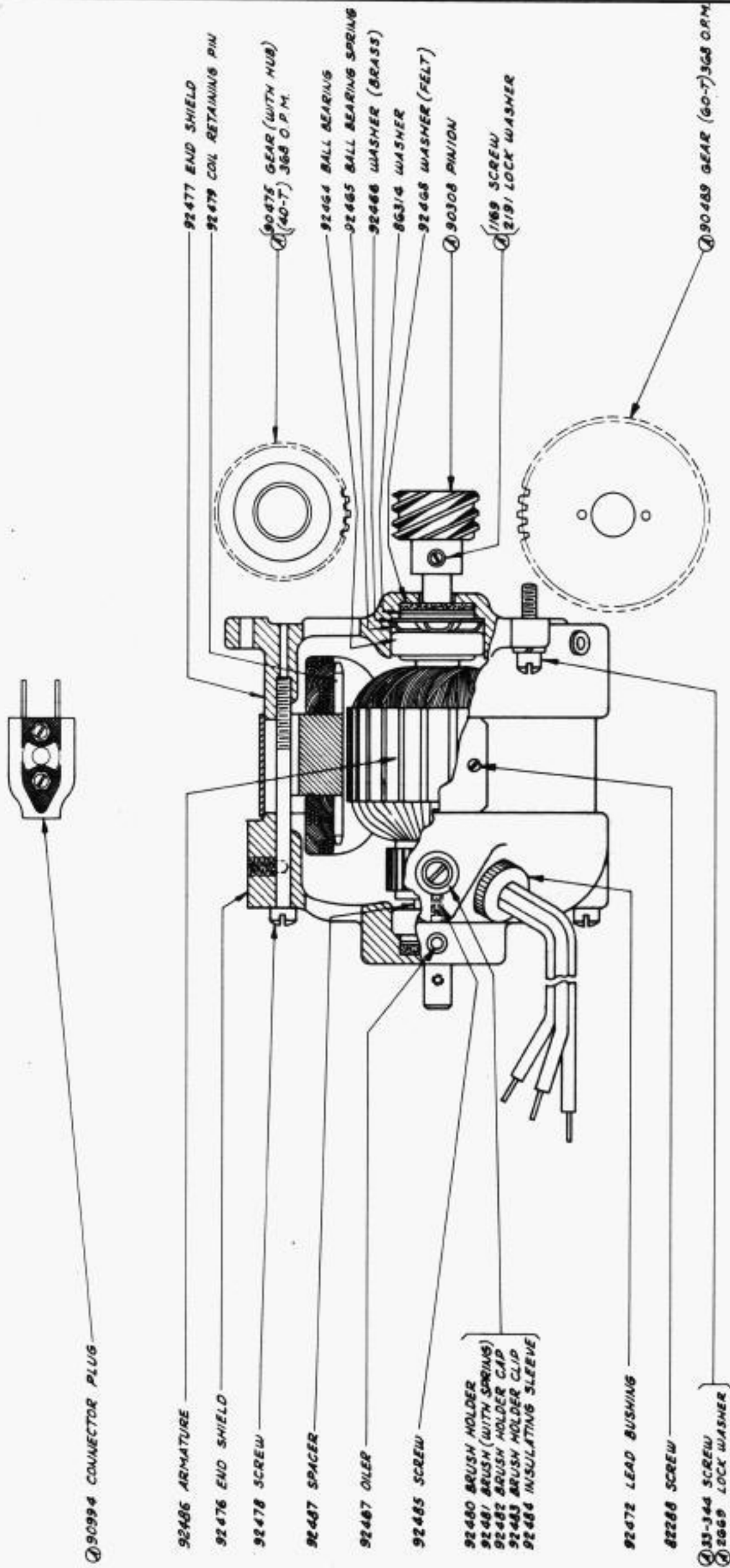


*90305 SYNCHRONOUS MOTOR 1/40 H.P., 110 V., 60 CYCLE, A.C., (M.C. MODEL R85-441G) (EXCLUDES PARTS MARKED ⓐ)
 #90420 SYNCHRONOUS MOTOR UNIT (ASSEM)

Does Not Include Gears, EE 390

93005 Rotor includes EE 390
 66390

- 92469 Rotor (1)
- 92464 Bearing (2)
- 92460 Split Ring (1)
- 86325 Cutout with Spring (1)
- 92471 Lock Washer (2)
- 86314 Screw (2)
- 92470 Washer (Fiber) (2)
- 86327 Bushing (1) (2)



91748 MOTOR 1/40 H.P., 115 V., D.C. (M.C. MODEL CBD-2210)
(EXCLUDES PARTS MARKED Q)

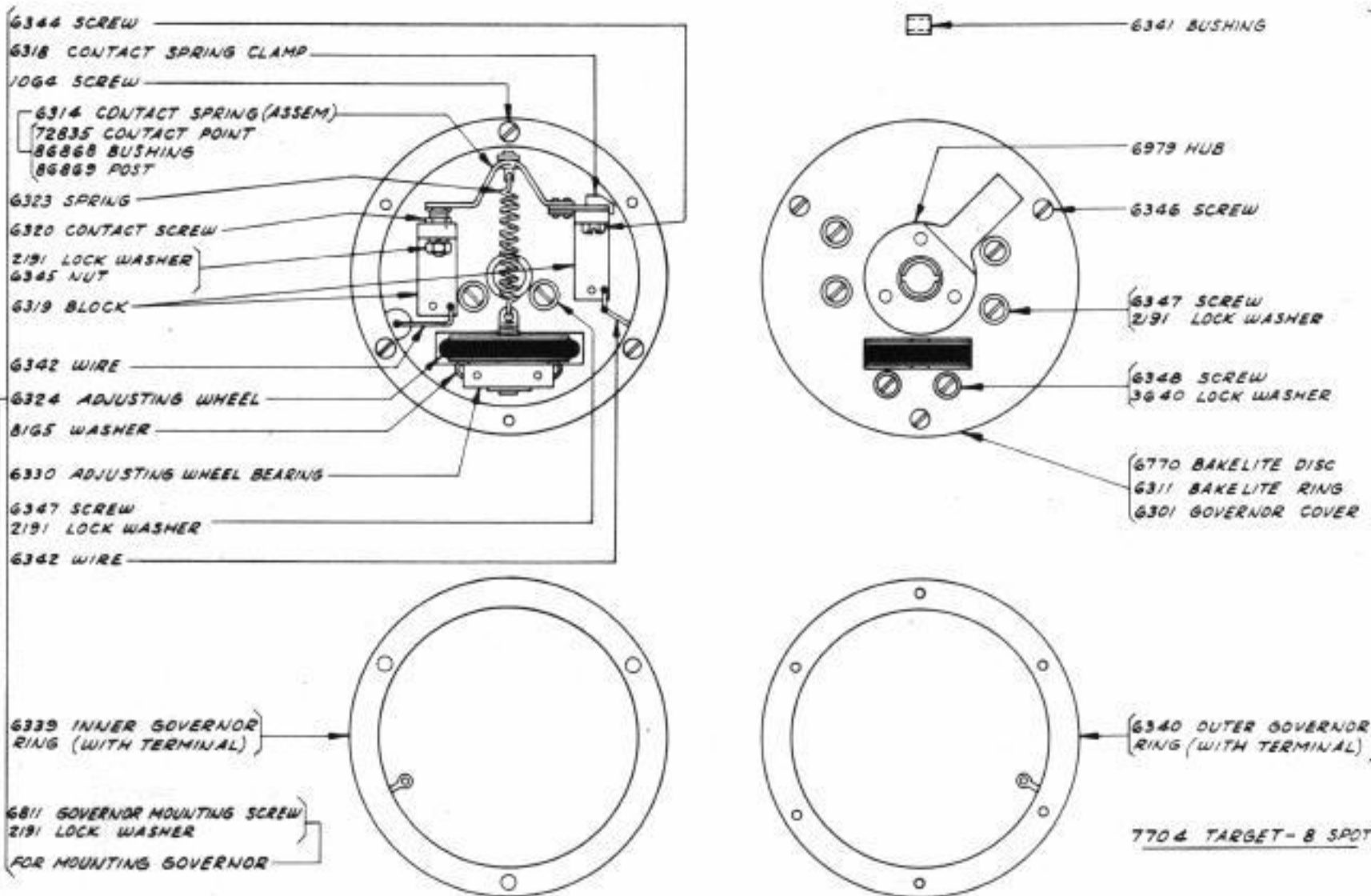
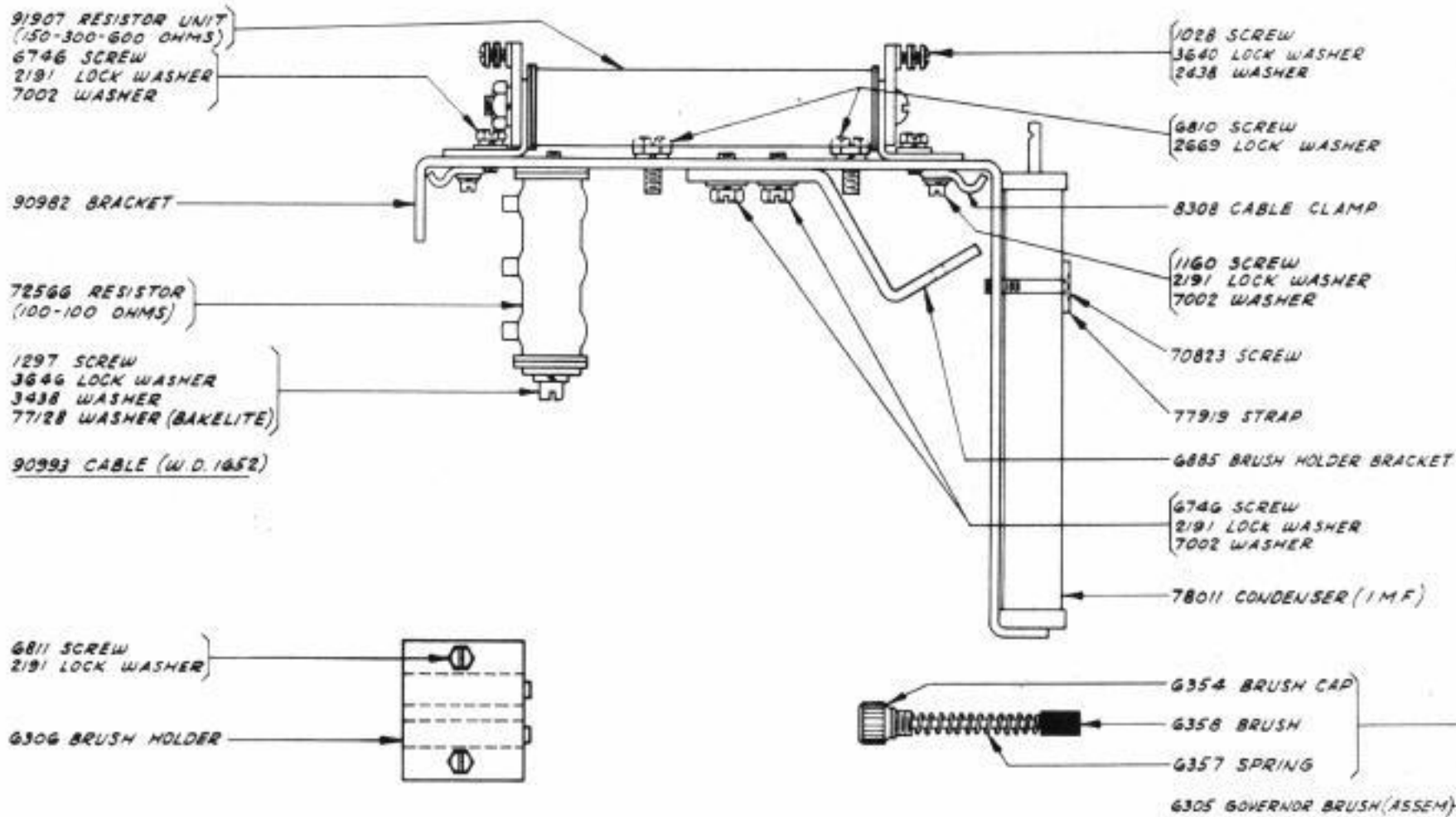
93004 Armature includes

- 42486 " (1)
- 92484 Ball Bearing (2)
- 92487 Spacer (1)

EE 390

90992 Motor assembly includes all parts except gears
Pages 16 and 17

90993 CABLE (W.D. 1652)



THESE GOVERNOR RINGS ARE MADE OVERSIZE, AND CAN BE USED FOR REPLACEMENT ONLY AT POINTS WHERE FACILITIES ARE AVAILABLE FOR TURNING THEM DOWN AFTER RINGS HAVE BEEN ASSEMBLED IN GOVERNOR.

7485 GOVERNOR COMPLETE (FOR 3/8 MOTOR SHAFT)

- 90944 GLASS
- 90911 RETAINING STRIP
- 91935 GLASS RETAINER FELT
- 91933 FELT - LONG
- 91934 FELT - SHORT

- 6811 SCREW
- 3598 NUT

- 1050 SCREW
- 7002 WASHER

- 90932 COPY RETAINER
- 90933 GUIDE
- 90934 RIVET
- 7659 SPRING
- 80516 COTTER PIN

90939 PAD - FRONT

- 90931 COPY HOLDING SHELF
- 1162 SCREW
- 3640 LOCK WASHER

- 1162 SCREW
- 90912 RETAINER
- 90937 SILENCING STRIP

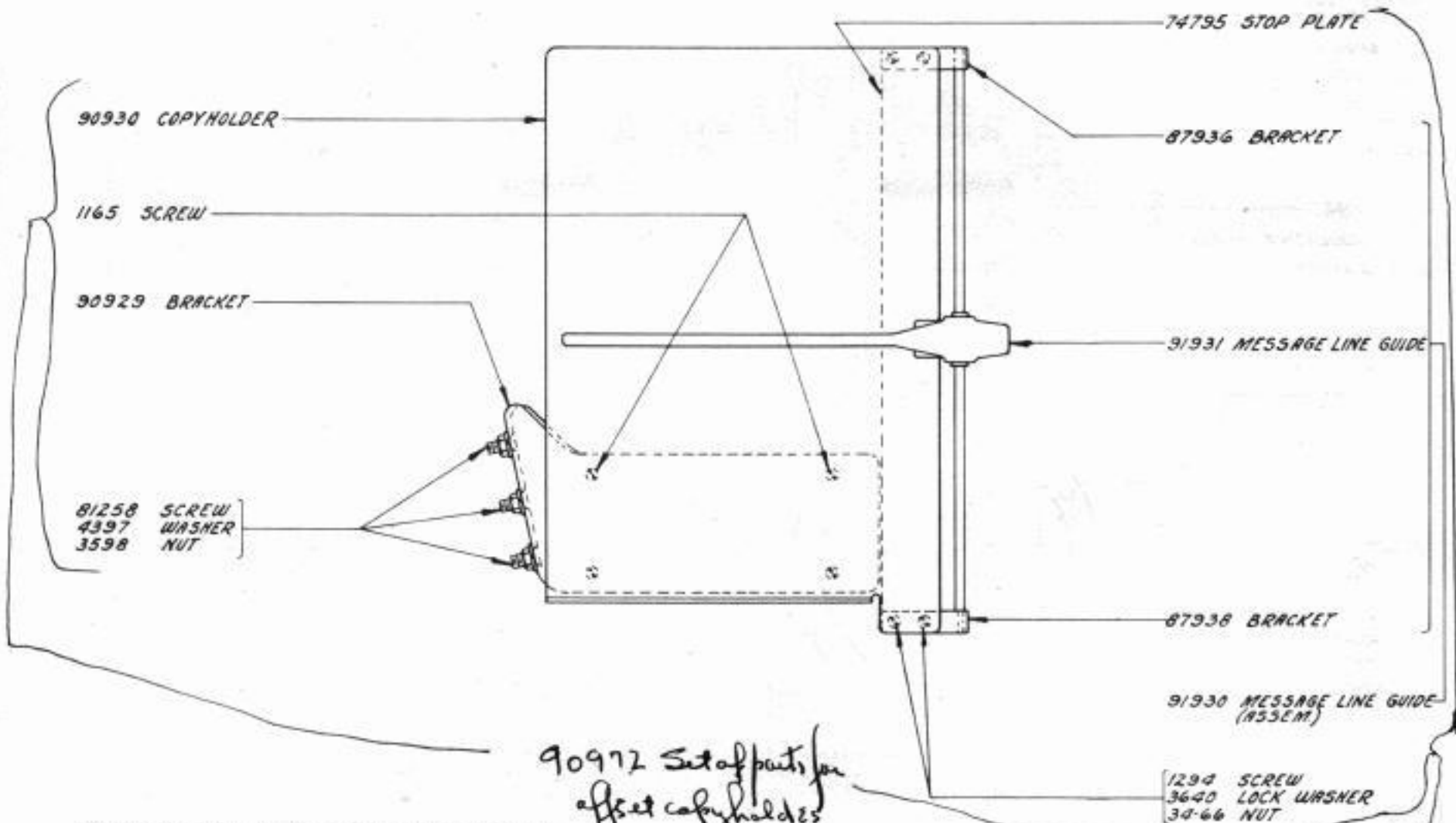
90941 PAD - LEFT SIDE

- 90936 SILENCING DISC
- 90913 RETAINER RING
- 90959 SCREW
- 3606 NUT

90938 PAD - REAR

90940 PAD - RIGHT SIDE

- (A) 91958 COVER (ASSEM.) - BLACK MOROCCO
- (B) 91957 COVER (ASSEM.) - BLACK MOROCCO (Beel system old)



90972 Set of parts for
offset copyholders

- (A) WITH INDENTATION ON LEFT SIDE TO PROVIDE CLEARANCE FOR MOTOR GOVERNOR.
- (B) WITHOUT INDENTATION.

| DESCRIPTION | CATALOG OR PART NUMBERS | 90650 SET OF TYPE WHEEL PALLETS | 90651 SET OF TYPE WHEEL PALLETS | 90652 SET OF TYPE WHEEL PALLETS | 90653 SET OF TYPE WHEEL PALLETS | 90654 SET OF TYPE WHEEL PALLETS |
|-------------|-------------------------|---------------------------------|---------------------------------|---------------------------------|---------------------------------|---------------------------------|
| A | 90831 | X | X | X | X | X |
| B | 90832 | X | X | X | X | X |
| C | 90833 | X | X | X | X | X |
| D | 90834 | X | X | X | X | X |
| E | 90835 | X | X | X | X | X |
| F | 90836 | X | X | X | X | X |
| G | 90837 | X | X | X | X | X |
| H | 90838 | X | X | X | X | X |
| I | 90839 | X | X | X | X | X |
| J | 90840 | X | X | X | X | X |
| K | 90841 | X | X | X | X | X |
| L | 90842 | X | X | X | X | X |
| M | 90843 | X | X | X | X | X |
| N | 90844 | X | X | X | X | X |
| O | 90845 | X | X | X | X | X |
| P | 90846 | X | X | X | X | X |
| Q | 90847 | X | X | X | X | X |
| R | 90848 | X | X | X | X | X |
| S | 90849 | X | X | X | X | X |
| T | 90850 | X | X | X | X | X |
| U | 90851 | X | X | X | X | X |
| V | 90852 | X | X | X | X | X |
| W | 90853 | X | X | X | X | X |
| X | 90854 | X | X | X | X | X |
| Y | 90855 | X | X | X | X | X |
| Z | 90856 | X | X | X | X | X |
| * | 90857 | | | | | X |
| BLANK | 90858 | X | X | X | X | X |
| 1 | 90859 | X | X | X | X | X |
| 2 | 90860 | X | X | X | X | X |
| 3 | 90861 | X | X | X | X | X |
| 4 | 90862 | X | X | X | X | X |
| 5 | 90863 | X | X | X | X | X |
| 6 | 90864 | X | X | X | X | X |
| 7 | 90865 | X | X | X | X | X |
| 8 | 90866 | X | X | X | X | X |
| 9 | 90867 | X | X | X | X | X |
| 0 | 90845 | X | X | X | X | X |
| 1/8 | 90868 | X | | | | |
| 1/4 | 90869 | X | | | | |
| 3/8 | 90870 | X | | | | |
| 1/2 | 90871 | X | | | | |
| 5/8 | 90872 | X | | | | |
| 3/4 | 90873 | X | | | | |
| 7/8 | 90874 | X | | | | |
| \$ | 90875 | X | X | X | X | X |
| ¢ | 90876 | | X | X | X | X |
| ¢ | 90877 | X | X | X | X | X |
| ¢ | 90878 | | X | X | X | X |
| / | 90879 | | X | X | X | X |
|) | 90880 | | X | X | X | X |
| (| 90881 | | X | X | X | X |
| / | 90882 | X | X | X | X | X |
| - | 90883 | X | X | X | X | X |
| " | 90884 | X | X | X | X | X |
| ' | 90885 | | X | X | X | X |
| : | 90886 | | X | X | X | X |
| : | 90887 | | X | X | X | X |
| • | 90888 | X | X | X | X | X |
| 9 | 90889 | X | X | X | X | X |

| DESCRIPTION | 78932 SET OF SPRING CUSHION KEYTOPS | 78939 SET OF SPRING CUSHION KEYTOPS | 82859 SET OF SPRING CUSHION KEYTOPS | 89953 SET OF SPRING CUSHION KEYTOPS | 90232 SET OF SPRING CUSHION KEYTOPS |
|-------------|-------------------------------------|-------------------------------------|-------------------------------------|-------------------------------------|-------------------------------------|
| A - | 78946 | 78946 | 78946 | 78946 | 78946 |
| B ? | 78947 | 78947 | | 78947 | 78947 |
| B 5/8 | | | 78986 | | |
| C : | 78948 | 78948 | | 78948 | 78948 |
| C 1/8 | | | 78984 | | |
| D \$ | 78949 | 78949 | 78949 | 78949 | 78949 |
| E 3 | 78950 | 78950 | 78950 | 78950 | 78950 |
| F | | | | | 83902 |
| F / | 78951 | 78951 | | 78951 | |
| F 1/4 | | | 78982 | | |
| G & | 78952 | 78952 | 78952 | 78952 | 78952 |
| H £ | 78953 | 78953 | | 78953 | 78953 |
| H STOP | | | 82607 | | |
| I 8 | 78954 | 78954 | 78954 | 78954 | 78954 |
| J ¶ | 78955 | 78955 | | 78955 | |
| J § | | | 78993 | | |
| J SGL | | | | | 80552 |
| K (| 78956 | 78956 | | 78956 | 78956 |
| K 1/2 | | | 78988 | | |
| L) | 78957 | 78957 | | 78957 | 78957 |
| L 3/4 | | | 78983 | | |
| M • | 78958 | 78958 | 78958 | 78958 | 78958 |
| N ¶ | 78959 | 78959 | | 78959 | 78959 |
| N 7/8 | | | 78987 | | |
| O 9 | 78960 | 78960 | 78960 | 78960 | 78960 |
| P 0 | 78961 | 78961 | 78961 | 78961 | 78961 |
| Q 1 | 78962 | 78962 | 78962 | 78962 | 78962 |
| R 4 | 78963 | 78963 | 78963 | 78963 | 78963 |
| S ¶ | | | | 80551 | 80551 |
| S BELL | 78980 | 78380 | 78980 | | |
| T 5 | 78964 | 78964 | 78964 | 78964 | 78964 |
| U 7 | 78965 | 78965 | 78965 | 78965 | 78965 |
| V § | 78966 | 78966 | | 78966 | 78966 |
| V 3/8 | | | 78985 | | |
| W 2 | 78967 | 78967 | 78967 | 78967 | 78967 |
| X / | 78968 | 78968 | 78968 | 78968 | 78968 |
| Y 6 | 78969 | 78969 | 78969 | 78969 | 78969 |
| Z ¶¶ | 78970 | 78970 | 78970 | 78970 | 78970 |
| CAR.RET. | 78976 | 78976 | 78976 | 78976 | 78976 |
| FIGS. | 78972 | 78972 | 78972 | 78972 | 78972 |
| LTRS. | 78973 | 78973 | 78973 | 78973 | 78973 |
| LINE FEED | 78978 | 78978 | 78978 | 78978 | 78978 |
| BLANK | 78971 | | 78971 | 78971 | 78971 |
| • • | | 78979 | | | |

NOTES OF EXPLANATION

Page 2

- (A) Figure 1 illustrates the 91936 old style clamp and associated parts. The 91936 clamp is not available for replacement. When it is necessary to replace the 91936 clamp, it will be necessary to order one each of the following parts shown on page 2: 91953 wedge, 74986 screw, 70314 washer, 74975 screw and 34432 washer. Parts other than the 91936 clamp, shown in Figure 1, may be ordered when required.

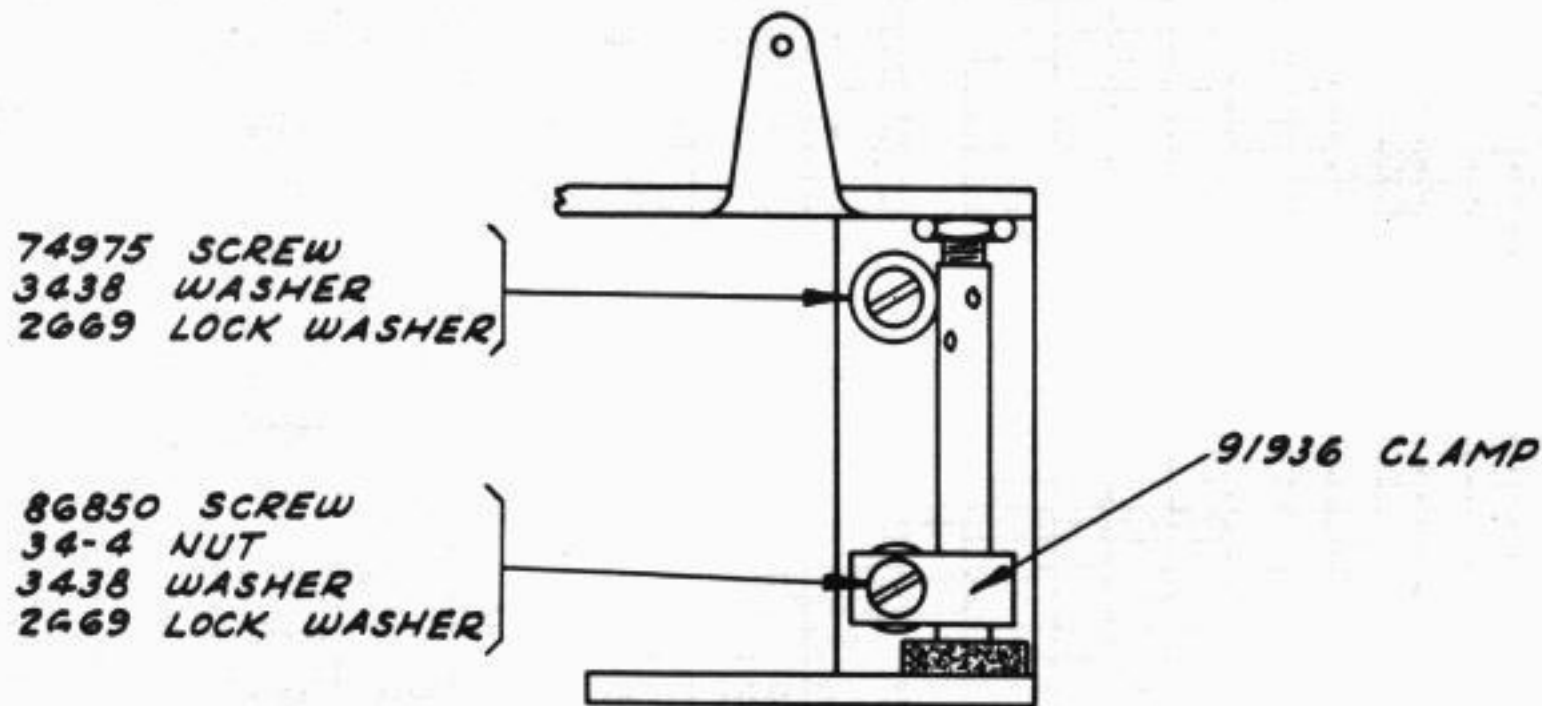


FIGURE 1.

Page 11

- (A) Two 41663 washers have been added under the head of each of the two 6746 screws on the 7382 front bracket, mounting the 7387 brace.

When it is desired to convert a non-repeating keyboard to a repeating keyboard, these washers are removed and placed under the 74749 stop plate (shown on page 9) two at each mounting screw.

- (B) In order to improve the keyboard touch, it is necessary that the clearance between the lockout levers and the lock loop be made adjustable. To accomplish this, the following changes have been made:

A slot has been provided in place of the hole in the 7377 lock loop which retains the same number.

The 7378 lock loop roller has been replaced by a 92511 roller of larger diameter in order to clear the head of the 6800 shoulder screw.

A 7002 washer and a 2191 lock washer have been added under the 3598 nut which mounts the 6800 shoulder screw to the 7377 lock loop.

NOTE: The new style 92511 roller should not be used with the old style 7377 lock loop.

NUMERICAL INDEX

| | | | | | |
|----------|--|------|---|-------|---|
| M-169 | Magnet, 13 | 2610 | Margin Bell, 1 | 7001 | Washer, 1,5 |
| M-207 | Magnet, 5 | 2623 | Spring, 11 | 7002 | Washer, 1,2,3,5,6,7,9,10, 11,12,17,18 |
| 33-15 | Screw (2-56 x 1/8), 13 | 2663 | Buffer, 9 | 7007 | Trip Plunger, 5 |
| 33-43 | Screw (2-56 x 3/4), 13 | 2669 | Lock Washer, 1,2,3,5,6,9, 10,12,13,15,16,17,20 | 7032 | Pawl, 11 |
| 33-57 | Screw (2-56 x 9/32), 3 | 2836 | Spring, 7 | 7081 | Post, 11 |
| 33-86 | Screw (4-40 x 1/8), 6 | 3181 | Slack Bar, 8 | 7318 | Contact Lever, 11 |
| 33-108 | Screw (4-36 x 1/8), 9 | 3298 | Eccentric, 1 | 7372 | Bearing Bracket, 11 |
| 33-110 | Screw (4-40 x 3/16), 2, 3,4,7 | 3369 | Ball, 7 | 7373 | Bearing Bushing, 11 |
| 33-111 | Screw (2-56 x 3/16), 7 | 3438 | Washer, 1,9,12,13,17,20 | 7377 | Lock Loop, 11 |
| 33-344 | Screw (10-32 x 3/4), 10, 12,15,16 | 3458 | Shim, 10 | 7378 | Roller, 11 |
| 34-1 | Nut (1/4-32 Hex.), 9,12 | 3595 | Nut (1/4-32 Hex.), 1,2,5,9, 13 | 7381 | Contact Mounting (Assem.), 11 |
| 34-4 | Nut (10-32 Hex.), 1,3,6, 9,12,20 | 3598 | Nut (6-40 Hex.), 1,2,3,5,6, 7,10,11,18 | 7382 | Front Bracket, 11 |
| 34-11 | Nut (2-56 Hex.), 2 | 3599 | Nut (4-40 Hex.), 2,3,5,6,7,9 | 7383 | Oiler, 11 |
| 34-51 | Nut (6-40 Hex.), 3 | 3603 | Nut (1/4-32 Hex.), 5 | 7385 | Rear Bracket (With Posts), 11 |
| 34-56 | Nut (4-40 Hex.), 4,5,7,11 | 3606 | Nut (6-40 Hex.), 2,5,7,10,18 | 7386 | Post, 11 |
| 34-66 | Nut (4-36 Hex.), 18 | 3617 | Washer, 13 | 7387 | Brace, 11 |
| 35-70 | Spring, 1,6 | 3618 | Insulator, 13 | 7389 | Clutch Driving, 5,11 |
| 35-89 | Spring, 9 | 3640 | Lock Washer, 1,2,3,5,6,7,9, 11,13,14,17,18 | 7391 | Clutch Driven, 5,11 |
| 35-133 | Spring, 11 | 3642 | Washer, 7 | 7396 | Bracket - Left, 10 |
| 43-10 | Plunger Stop, 13 | 3646 | Lock Washer, 9,12,13,17 | 7397 | Bracket - Right, 10 |
| 61-24 | Washer - Fibre, 9,12 | 3647 | Insulator, 13 | 7409 | Clutch Lever, 11 |
| 103-27 | Washer, 2,3,7,14 | 3650 | Washer, 9,12,13,17 | 7485 | Governor Complete (For 3/8" Motor Shaft), 17 |
| 123-244 | Washer, 3,5 | 3841 | Slack Bar Line, 8 | 7602 | Spring, 5 |
| 200-1348 | Washer, 2 | 3647 | Insulator, 13 | 7603 | Spring 5,14 |
| 200-2800 | Paper Spindle, 8 | 3650 | Washer - Brass, 13 | 7607 | Collar, 5 |
| 1010 | Screw (6-40 Shoulder), 4 | 3870 | Spring, 5 | 7614 | Spring, 5 |
| 1026 | Screw (6-40 x 3/8), 1,2, 4,5,6,10,11,13 | 3899 | Spacer, 13 | 7654 | Shim, 11 |
| 1028 | Screw (4-40 x 1/4), 9,12, 13,17 | 3950 | Hook, 8 | 7659 | Spring, 18 |
| 1030 | Screw (6-40 Shoulder), 5 | 4397 | Washer, 18 | 7704 | Target - 8 Spots, 17 |
| 1039 | Screw (6-40 Shoulder), 1, 7 | 4704 | Spring, 1 | 7825 | Spring, 3 |
| 1050 | Screw (6-40 x 7/32), 14,18 | 4708 | Spring, 5 | 7835 | Ribbon - Black, 4 |
| 1064 | Screw (6-32 x 1/4), 13,17 | 4810 | Wick, 11 | 8097 | Cam Sleeve (Assem.), 11 |
| 1073 | Screw (6-40 Thumb), 5 | 4881 | Spring Backing, 11 | 8157 | Selector Lever - Right, 5 |
| 1118 | Screw (6-40 Shoulder), 3 | 5446 | Screw (6-40 x 9/16), 1 | 8158 | Selector Lever - Left, 5 |
| 1121 | Screw (10-32 x 3/8), 1 | 5475 | Nut (3/16-40 Hex.), 5 | 8165 | Washer, 17 |
| 1160 | Screw (6-40 x 5/16), 1,2, 5,9,12,17 | 5988 | Spindle Brake, 8 | 8308 | Cable Clamp, 2,12,17 |
| 1161 | Screw (6-40 x 1/4), 2,12 | 6033 | Lock Washer, 15 | 8330 | Spacer, 1,2,3,6 |
| 1162 | Screw (4-40 x 1/4), 2, 14,18 | 6301 | Governor Cover, 17 | 8539 | Screw (6-40 x 1/2), 9,10 |
| 1163 | Screw (4-40 x .188), 4 | 6305 | Governor Brush (Assem.), 17 | 8543 | Screw (6-40 x 5/8), 3,6 |
| 1164 | Screw (2-56 x 3/16), 8 | 6306 | Brush Holder, 17 | 8783 | Locking Lever, 9 |
| 1165 | Screw (6-32 x 1/4), 18 | 6311 | Bakelite Ring, 17 | 8809 | Line Cord (Approx. 64" Long), 13 |
| 1166 | Screw (4-36 x 1/4), 7,10 | 6314 | Contact Spring (Assem.), 17 | 8811 | Line Cord (Approx. 64" Long), 13 |
| 1168 | Screw (4-40 x 5/16), 1,7 | 6318 | Contact Spring Clamp, 17 | 8896 | Shim, 1,3,5,11 |
| 1169 | Screw (6-40 x 7/16), 2,3, 14,15,16 | 6319 | Block, 17 | 9177 | Contact Stop, 11 |
| 1174 | Screw (4-40 Shoulder), 6 | 6320 | Contact Screw, 17 | 9178 | Contact Spring, 11 |
| 1176 | Screw (6-40 x 3/16), 12 | 6323 | Spring, 17 | 9182 | Contact Lever Shaft, 11 |
| 1179 | Screw (6-40 x 5/8), 1,15 | 6324 | Adjusting Wheel, 17 | 9203 | Bracket (With Rollers), 10 |
| 1187 | Screw (10-32 x 1/4), 9 | 6330 | Adjusting Wheel Bearing, 17 | 9209 | Key Lever - Center, 9 |
| 1196 | Screw (6-40 Shoulder), 2 | 6339 | Inner Governor Ring (With Terminals), 17 | 9210 | Key Lever - Upper, 9 |
| 1200 | Screw (6-40 x 9/32), 7 | 6341 | Outer Governor Ring (With Terminal), 17 | 9695 | Plunger, 13 |
| 1226 | Screw (6-40 x 3/4), 2 | 6342 | Bushing, 17 | 33828 | Spring, 3 |
| 1268 | Screw (.138-40 x 5/16), 9 | 6344 | Wire, 17 | 34432 | Washer, 1,2,5,6 |
| 1269 | Screw (6-40 x 1/2), 3,7,9, 10,12,14 | 6345 | Screw (6-32 x 11/32), 17 | 34464 | Spring, 1 |
| 1294 | Screw (4-36 x 1/2), 18 | 6346 | Nut (6-32 Hex.), 17 | 35826 | Washer, 9 |
| 1297 | Screw (6-40 x 2-7/16), 9, 12,13,17 | 6347 | Screw (6-32 x 3/4), 17 | 36273 | Washer, 9 |
| 1301 | Screw (6-32 x 3/8), 10 | 6348 | Screw (6-32 x 3/8), 17 | 41663 | Washer, 11 |
| 2034 | Washer, 4 | 6354 | Screw (4-36 x 3/4), 17 | 41720 | Contact Spring, 14 |
| 2191 | Lock Washer, 1,2,3,4,5,6, 7,9,10,11,12,13,14,15,16, 17 | 6357 | Brush Cap, 17 | 41732 | Plate, 14 |
| 2199 | Nut (7/16-32 Hex.), 3,11, 14 | 6358 | Spring, 17 | 41733 | Insulator, 14 |
| 2322 | Lock Washer, 9,12 | 6685 | Brush, 17 | 41830 | Contact Spring, 14 |
| 2378 | Space Key Lever, 9 | 6745 | Sword, 5 | 43954 | Gong, 1 |
| 2382 | Lock Washer, 1 | 6746 | Screw (10-32 x 1/2), 1,3,13 | 44035 | Screw (10-32 x 9/16), 1 |
| 2407 | Lock Washer, 11 | 6770 | Screw (6-40 x 5/16), 1,2,5,7, 9,10,11,17 | 46092 | Nut (10-32 Hex.), 1 |
| 2422 | Lock Washer, 3 | 6799 | Bakelite Disc, 17 | 49056 | Screw (10-32 x 7/8), 5 |
| 2438 | Washer, 17 | 6800 | Screw (6-40 x 27/32), 5 | 55089 | Spring, 2,3 |
| 2449 | Lock Washer, 1,9,13 | 6801 | Screw (6-40 Shoulder), 11 | 55669 | Spring, 4 |
| 2502 | Mounting Strip, 11 | 6805 | Screw (4-40 Pilot), 5 | 70177 | Screw (6-40 Pilot), 10 |
| 2503 | Plate, 11 | 6807 | Screw (6-40 Shoulder), 11 | 70314 | Washer, 2 |
| 2504 | Insulator Strip, 11 | 6810 | Screw (6-40 x 3/16), 2,4 | 70324 | Lockout Lever Bearing, 9 |
| 2526 | Spacing Collar, 11 | 6811 | Screw (10-32 x 3/8), 12,13,17 | 70388 | Spring, 6 |
| 2528 | Spring Plate, 10 | 6814 | Screw (6-40 x 5/8), 11,17,18 | 70529 | Stiffener, 14 |
| 2529 | Bushing, 11 | 6827 | Screw (6-40 Pilot), 11 | 70803 | Screw (6-40 Pivot), 14 |
| 2565 | Spring, 10 | 6861 | Connecting Block (Assem.) (W.E. 18-B), 13 | 70823 | Screw (6-32 x 1), 17 |
| 2574 | Upstop, 10 | 6863 | Washer - Felt, 5 | 70886 | Washer, 5 |
| | | 6885 | Cam Sleeve Disc, 5 | 71073 | Washer, 5 |
| | | 6909 | Brush Holder Bracket, 17 | 71161 | Bushing, 11 |
| | | 6942 | Stop Lever, 5 | 71449 | Key Lever Guide - Rear, 10 |
| | | 6966 | Screw (4-40 Eccentric), 11 | 71647 | Shim, 1 |
| | | 6979 | Eccentric Stop, 5 | 71681 | Ribbon Spool, 4 |
| | | | Hub, 17 | 71697 | Clamping Plate, 5 |
| | | | | 71976 | Stop Lever Plate, 5 |
| | | | | 72472 | Shim, 9 |

| | | | | | |
|-------|---------------------------------------|-------|---|-------|--|
| 72501 | Shaft, 9 | 76806 | Spring, 3,7 | 82444 | Bushing, 14 |
| 72513 | Driving Disc, 5 | 77040 | Contact Spring, 14 | 82515 | Connecting Block, 13 |
| 72514 | Spring, 5 | 77128 | Washer - Bakelite, 9,12,13, 17 | 82516 | Contact Spring, 13 |
| 72515 | Nut (5/16 x 3/2 L.H. Hex.), 5 | 77140 | Nut (9/16-32 Hex.), 3,14 | 82607 | Spring Cushion Keypop (H Stop), 19 |
| 72516 | Retaining Disc, 5 | 77919 | Strap, 17 | 82720 | Screw (6-40 x 1/4), 7 |
| 72517 | Nut (5/16 x 3/2 L.H. Hex. - Keyed), 5 | 77920 | Screw (6-40 x 1-15/16), 9, 12 | 82859 | Set of Spring Cushion Keypops, 19 |
| 72521 | Wick, 5 | 78011 | Condenser (1 M.F.), 17 | 83408 | Screw (4-40 x 3/16), 9,12 |
| 72563 | Washer - Felt, 5 | 78028 | Screw (6-40 x 15/16), 5 | 83856 | Screw (4-40 x 11/16), 14 |
| 72566 | Resistor (100-100 Ohms), 17 | 78163 | Post, 5 | 83902 | Spring Cushion Keypop (F), 19 |
| 72643 | Stud, 9 | 78164 | Selector Post, 5 | 83913 | Contact Spring, 14 |
| 72835 | Contact Point, 17 | 78301 | Screw (10-32 x 5/8), 1 | 84990 | Screw (6-40 x 1/4), 3 |
| 73181 | Line Key, 9 | 78430 | Cable Clamp, 9 | 85252 | Screw (10-32 Shoulder), 10,12 |
| 73588 | Contact Spring, 13 | 78484 | Motor Fan (With Hub), 15 | 85386 | Bushing, 3 |
| 73592 | Spring Plate, 13 | 78596 | Washer, 5 | 86216 | Screw (4-40 Shoulder), 14 |
| 73593 | Contact Spring, 13 | 78597 | Screw (10-32 Shoulder), 5 | 86314 | Washer, 15,16 |
| 73705 | Terminal Block, 2,9,12,14 | 78723 | Eccentric, 1 | 86325 | Cut-Out (With Springs), 15 |
| 73894 | Screw (6-40 x 1/8), 7 | 78932 | Set of Spring Cushion Keypops, 19 | 86327 | Bushing, 15 |
| 74018 | Piston Rod, 1 | 78939 | Set of Spring Cushion Keypops, 19 | 86329 | Screw (4-40 x 7/16), 15 |
| 74027 | Vent Screw, 1 | | | 86506 | Spring Post, 2 |
| 74028 | Cylinder, 1 | | | 86710 | Oil Cup, 5 |
| 74029 | Piston Head, 1 | | | 86774 | Screw (6-40 Shoulder), 2 |
| 74032 | Washer, 1 | | | 86850 | Screw (10-32 x 1-1/4), 20 |
| 74033 | Washer - Leather, 1 | | | 86868 | Bushing, 17 |
| 74142 | Cylinder Head, 1 | | | 86869 | Post, 17 |
| 74399 | Screw (6-40 Pilot), 5 | | | 87332 | Condenser (1/10 M.F.) (W.E. D-95309), 9 |
| 74523 | Space Bar, 9 | | | 87936 | Bracket, 18 |
| 74528 | Space Bar Loop, 9 | | | 87932 | Nut (8-32 Hex.), 13 |
| 74581 | Selector Bar #1 - Rear, 10 | | | 87933 | Washer, 13 |
| 74582 | Selector Bar #2, 10 | | | 87938 | Bracket, 18 |
| 74583 | Selector Bar #3, 10 | | | 88455 | Washer, 12 |
| 74584 | Selector Bar #4, 10 | | | 88456 | Lord Mounting, 12 |
| 74585 | Selector Bar #5 - Front, 10 | | | 88924 | Rubber Foot, 12 |
| 74604 | Repeat Space Rod, 9 | | | 88925 | Rubber Foot Cup, 12 |
| 74605 | Bracket, 9 | | | 89354 | Cable Clamp, 9,12 |
| 74613 | Screw (4-40 x 1/4), 2 | | | 89472 | Line Cord (Approx. 42" Long), 13 |
| 74614 | Resistor (2600 Ohms), 13 | | | 89548 | Contact Spring (W.E. 149618), 13 |
| 74690 | Transmitter (Assem.), 11 | | | 89896 | Oiler, 11 |
| 74702 | Spring, 6 | | | 89897 | Nut (10-32 Hex.), 11 |
| 74722 | Washer, 5 | | | 89917 | Screw (4-40 Eccentric), 11 |
| 74728 | Terminal, 14 | | | 89953 | Set of Spring Cushion Keypops, 19 |
| 74749 | Stop Plate, 9 | | | 90024 | Coil Retainer, 5 |
| 74751 | Trip Off Lever, 9 | | | 90043 | Armature Bracket, 5 |
| 74762 | Key Lever - Lower, 9 | | | 90069 | Detent Post, 5 |
| 74795 | Stop Plate, 18 | | | 90088 | Trip Latch, 5 |
| 74808 | Bushing, 9 | | | 90232 | Set of Spring Cushion Keypops, 19 |
| 74821 | Resistor (2810 Ohms), 13 | | | 90260 | Spring, 11 |
| 74853 | Line Cord (Approx. 27" long), 13 | | | 90265 | Screw (6-40 Special), 5 |
| 74877 | Spring, 8 | | | 90301 | Main Frame (With Dowels), 2 |
| 74882 | Spring, 6 | | | 90302 | Frame, 1 |
| 74952 | Screw (4-40 x 5/8), 14 | | | 90303 | Locating Pin, 2 |
| 74964 | Contact Spring, 14 | | | 90304 | Guide Plate, 2 |
| 74975 | Screw (10-32 x 5/8), 2,20 | | | 90305 | Synchronous Motor (1/40 H.P., 110 V., 60 Cycles, A.C., H.C. Model #RBS-4416), 15 |
| 74986 | Screw (6-40 x 13/32), 2,3, 5,7 | | | 90307 | Stop Plate, 2 |
| 75231 | Bushing, 13 | | | 90308 | Pinion, 15,16 |
| 75436 | Resistor (3000 Ohms), 13 | | | 90310 | Screw (6-40 Shoulder), 3 |
| 75606 | Spring, 11 | | | 90318 | Function Plate (Assem.), 6 |
| 75607 | Washer, 11 | | | 90320 | Ribbon Feed Mechanism (Assem.), 4 |
| 75750 | Washer - Bakelite, 13 | | | 90322 | Sleeve, 3 |
| 76008 | Stud, 3 | | | 90327 | Guide Disc - Middle, 3 |
| 76011 | Code Disc #1, 3 | | | 90328 | Tube - Inner, 3 |
| 76012 | Code Disc #2, 3 | | | 90329 | Tube - Outer, 3 |
| 76013 | Code Disc #3, 3 | | | 90330 | Post, 3 |
| 76014 | Code Disc #4, 3 | | | 90331 | Separator, 3 |
| 76015 | Code Disc #5, 3 | | | 90332 | Roller, 3 |
| 76016 | Bushing, 3 | | | 90333 | Code Disc Lever, 3 |
| 76024 | Fulcrum Disc, 3 | | | 90334 | Bushing, 3 |
| 76081 | Washer, 9 | | | 90335 | Separator, 3 |
| 76086 | Friction Spring, 3,14 | | | 90336 | Stud, 3 |
| 76099 | Washer, 2 | | | 90337 | Plate, 3 |
| 76117 | Terminal Block (Assem.), 13 | | | 90338 | Stud, 3 |
| 76118 | Terminal Block, 13 | | | 90339 | Print Lever Bracket, 3 |
| 76172 | Garter Spring, 3 | | | 90340 | Printing Ball, 3 |
| 76286 | .030 Wire Gauge, 4 | | | 90341 | Printing Ball Guide, 3 |
| 76289 | Slotted Nut Wrench, 4 | | | 90342 | Shift Ball, 3 |
| 76303 | Shim, 3 | | | | |
| 76395 | Friction Washer, 3, 14 | | | | |
| 76396 | Washer - Felt, 3,14 | | | | |
| 76414 | Stop Pin, 3 | | | | |
| 76415 | Guide Disc - Upper, 3 | | | | |
| 76416 | Guide Disc - Lower, 3 | | | | |
| 76421 | Spring, 3 | | | | |
| 76461 | Washer, 1,3 | | | | |
| 76556 | Stop Arm (Assem.), 3 | | | | |
| 76559 | Type Wheel Latch Spring, 3 | | | | |
| | | 78946 | (A -), 19 | | |
| | | 78947 | (B ?), 19 | | |
| | | 78948 | (C :), 19 | | |
| | | 78949 | (D #), 19 | | |
| | | 78950 | (E 3), 19 | | |
| | | 78951 | (F !), 19 | | |
| | | 78952 | (G &), 19 | | |
| | | 78953 | (H ^), 19 | | |
| | | 78954 | (I 8), 19 | | |
| | | 78955 | (J *), 19 | | |
| | | 78956 | (K ()), 19 | | |
| | | 78957 | (L)), 19 | | |
| | | 78958 | (M .), 19 | | |
| | | 78959 | (N .), 19 | | |
| | | 78960 | (O 9), 19 | | |
| | | 78961 | (P 0), 19 | | |
| | | 78962 | (Q 1), 19 | | |
| | | 78963 | (R 4), 19 | | |
| | | 78964 | (T 5), 19 | | |
| | | 78965 | (U 7), 19 | | |
| | | 78966 | (V ;), 19 | | |
| | | 78967 | (W 2), 19 | | |
| | | 78968 | (X /), 19 | | |
| | | 78969 | (Y 6), 19 | | |
| | | 78970 | (Z #), 19 | | |
| | | 78971 | (Blank), 19 | | |
| | | 78972 | (Figs.), 19 | | |
| | | 78973 | (Ltra.), 19 | | |
| | | 78976 | (Car.Ret), 19 | | |
| | | 78978 | (Line Feed), 19 | | |
| | | 78979 | (. .), 19 | | |
| | | 78980 | (B Bell), 19 | | |
| | | 78982 | (F 1/4), 19 | | |
| | | 78983 | (L 3/4), 19 | | |
| | | 78984 | (C 1/8), 19 | | |
| | | 78985 | (V 3/8), 19 | | |
| | | 78986 | (B 5/8), 19 | | |
| | | 78987 | (N 7/8), 19 | | |
| | | 78988 | (K 1/2), 19 | | |
| | | 78993 | (J .), 19 | | |
| | | 79449 | Shim, 6 | | |
| | | 79513 | Plate, 13 | | |
| | | 80294 | Spring Post, 1,2 | | |
| | | 80342 | Screw (6-40 x 23/64), 2,6, 13 | | |
| | | 80392 | Spring, 10 | | |
| | | 80444 | Screw (6-40 x 1/4), 2,3,5,7, 13 | | |
| | | 80467 | Screw (6-40 x 11/32), 1 | | |
| | | 80471 | Clutch Spring, 11 | | |
| | | 80516 | Cotter Pin, 18 | | |
| | | 80551 | Spring Cushion Keypop (5 #), 19 | | |
| | | 80552 | Spring Cushion Keypop (J 8gl), 19 | | |
| | | 80708 | Cable Clamp, 12 | | |
| | | 80721 | Washer, 5 | | |
| | | 81082 | Set of Special Tools for 24 Type Printer, 4 | | |
| | | 81258 | Screw (6-40 x 5/8), 18 | | |
| | | 81841 | Condenser (1/4 M.F.) (W.E. 142-B), 13 | | |
| | | 81895 | Post, 4 | | |
| | | 82288 | Screw (4-40 x 1/4), 15,16 | | |
| | | 82440 | Screw (6-40 x 7/16), 1,5,9 | | |

| | | | | | |
|-------|--|-------|--------------------------------|-------|-------------------------------|
| 90344 | Buffer, 3 | 90499 | Bushing, 5 | 90633 | Insulator, 14 |
| 90345 | Stud, 3 | 90500 | Selector Plate (With Posts), 5 | 90635 | Cut-out Lever, 6 |
| 90346 | Stud, 3 | 90505 | Locking Lever, 5 | 90636 | Cut-out Lever, 6 |
| 90347 | Shift Lever, 3 | 90507 | Separator Top Plate, 5 | 90637 | Function Lever, 6 |
| 90348 | Unshift Lever, 3 | 90508 | Spring Arm, 5 | 90638 | Space Cut-out Lever, 6 |
| 90349 | Bushing, 3 | 90509 | Detent, 5 | 90639 | Bracket, 14 |
| 90350 | Bushing, 3 | 90510 | Spring, 5 | 90640 | Spacer Shaft, 1 |
| 90351 | Shift Detent, 3 | 90511 | Screw (6-40 x .820), 5 | 90643 | Spacing Ratchet, 1 |
| 90352 | Screw (6-40 Eccentric Shoulder), 3 | 90512 | Selector Arm Bracket, 5 | 90644 | Upper Bearing, 1 |
| 90353 | Detent Roller, 3 | 90513 | Eccentric, 5 | 90645 | Lower Track, 1 |
| 90355 | Print Hammer, 3 | 90514 | Screw (3/16-40 Pivot), 5 | 90647 | Upper Track, 1 |
| 90358 | Bushing, 3 | 90515 | Screw (3/16-40 Pivot), 5 | 90650 | Set of Type Wheel Pallets, 19 |
| 90360 | Function Blocking Arm, 3 | 90516 | Selector Arm, 5 | 90651 | Set of Type Wheel Pallets, 19 |
| 90361 | Washer - Felt, 3 | 90517 | Spring, 5 | 90652 | Set of Type Wheel Pallets, 19 |
| 90362 | Shaft, 3 | 90518 | Locking Wedge, 5 | 90653 | Set of Type Wheel Pallets, 19 |
| 90363 | Type Wheel (Assem.), 4 | 90519 | Screw (2-56 x .156), 5 | 90654 | Set of Type Wheel Pallets, 19 |
| 90368 | Retaining Plate, 4 | 90520 | Armature Lever, 5 | 90657 | Buffer Lever, 1 |
| 90371 | Type Pallet Guide, 4 | 90524 | Screw (4-40 Special), 5 | 90658 | Screw (10-32 Shoulder), 1 |
| 90373 | Washer, 4 | 90526 | Screw (10-32 x 1-1/8), 1 | 90659 | Spring Hook, 1 |
| 90374 | Screw (Special), 3 | 90527 | Clutch Trip Bracket, 2 | 90660 | Trip Rod, 1 |
| 90376 | Ball Retainer, 7 | 90528 | Clutch Trip Lever, 2 | 90662 | Bell Hammer, 1 |
| 90379 | Universal Bar, 10 | 90530 | Transfer Lever, 5 | 90665 | Wearing Strip, 6 |
| 90380 | Spring Drum (Assem.), 1 | 90532 | Function Bracket, 2 | 90667 | Gong Bracket, 1 |
| 90381 | Drum, 1 | 90535 | Oil Ring, 2,6 | 90668 | Bail, 6 |
| 90384 | Resistor (150,300,600, & 1050 Ohms), 9,12,13 | 90538 | Lever, 2 | 90668 | Bail Shaft, 6 |
| 90385 | Drum Shaft, 1 | 90539 | Shoulder Bushing, 2 | 90670 | Screw (10-32 Pivot), 1 |
| 90389 | Spring, 1 | 90540 | Bushing, 2 | 90671 | Carriage Frame, 7 |
| 90390 | Cover, 1 | 90541 | Screw (4-40 x 1-1/4), 2 | 90679 | Oil Ring, 1,3 |
| 90391 | Oil Ring, 1 | 90542 | Follow Arm, 2 | 90682 | Carriage Stop, 7 |
| 90392 | Paper Chute, 8 | 90546 | Cam Roller Stud, 2 | 90683 | Rack, 7 |
| 90393 | Paper Chute, 8 | 90547 | Roller, 2 | 90684 | Spacer, 7 |
| 90395 | Rod, 8 | 90549 | Bail, 2 | 90685 | Line Feed Shaft, 7 |
| 90396 | Rod, 8 | 90550 | Pointer, 4 | 90686 | L.F. Roller Arm, 7 |
| 90398 | Shaft, 5 | 90551 | Space Arm Bail, 2 | 90691 | L.F. Pawl Arm, 7 |
| 90399 | Bearing, 5 | 90553 | Spring Post, 2 | 90697 | Screw (10-32 Pivot), 1 |
| 90401 | Line Feed Control, 7 | 90556 | Roller, 2 | 90698 | Eccentric, 7 |
| 90420 | Synchronous Motor Unit (Assem.), 15 | 90559 | Screw (4-40 x 1.588), 2 | 90699 | L.F. Bracket, 1 |
| 90421 | Spacer, 2 | 90560 | Washer, 2 | 90700 | Detent, 7 |
| 90422 | Terminal, 2,14 | 90561 | Function Pawl #1, 2,14 | 90707 | Spacer, 7 |
| 90424 | Swivel, 6 | 90562 | Line Feed Pawl, 2 | 90708 | Screw (4-40 Shoulder), 7 |
| 90425 | Screw (10-32 x 1-1/8), 6 | 90563 | Unshift Pawl, 2 | 90709 | Pressure Release Shaft, 7 |
| 90426 | Nut (10-32 Special), 6 | 90564 | Shift Pawl, 2 | 90710 | Pressure Release Arm, 7 |
| 90427 | Pressure Spring, 7 | 90565 | Spacer, 2 | 90713 | Pressure Release Handle, 7 |
| 90431 | Lock Washer, 3,14 | 90566 | Shoulder Bushing, 2 | 90714 | Spacer, 7 |
| 90433 | Shaft, 2 | 90567 | Space Pawl, 2 | 90720 | Platen, 7 |
| 90434 | Plate, 3 | 90570 | Plunger, 2 | 90725 | Ratchet (24-T), 7 |
| 90435 | Bushing, 2 | 90571 | Compression Spring, 2 | 90726 | Platen Shaft, 7 |
| 90436 | Oil Wick, 9 | 90573 | Space Pawl Spring, 2 | 90728 | Paper Guide, 7 |
| 90437 | Wick, 2 | 90575 | Spring, 2,14 | 90731 | Margin Bell Adjuster, 7 |
| 90438 | Oil Ring, 11 | 90576 | Transfer Bail, 2 | 90733 | Bushing, 4 |
| 90439 | Screw (1-64 x .175), 4 | 90578 | Transfer Arm, 2 | 90734 | Plate, 4 |
| 90440 | Retaining Ring, 4 | 90579 | Transfer Shaft, 2 | 90737 | Detent Spring, 4 |
| 90441 | Garter Spring, 4 | 90580 | Stud, 2 | 90738 | Ribbon Feed Pawl, 4 |
| 90442 | Post, 4 | 90581 | Set Collar, 2 | 90739 | Screw (4-40 Shoulder), 4 |
| 90443 | Drive Arm, 3 | 90582 | Yield Spring, 2 | 90740 | Stud, 4 |
| 90444 | Plate, 3 | 90583 | Spring Retainer, 2 | 90741 | Operating Lever, 4 |
| 90457 | Sleeve, 3,14 | 90584 | Transfer Arm Lock, 2 | 90742 | Clamp Plate, 4 |
| 90458 | Friction Disc, 3,14 | 90585 | Print Link, 2 | 90743 | Bushing, 4 |
| 90459 | Spacer, 3,14 | 90586 | Eccentric, 2 | 90744 | Check Pawl, 4 |
| 90461 | Function Arm #1-2, 3 | 90587 | Clamp Plate, 2 | 90747 | Screw (4-40 Shoulder), 4 |
| 90462 | Bell Function Arm #2, 3,14 | 90588 | Ribbon Feed Arm, 2 | 90748 | Spring, 4 |
| 90463 | Line Feed Function Arm #3, 3,14 | 90589 | Drive Link, 2 | 90749 | Shim, 7 |
| 90464 | Unshift Function Arm #4-A, 3,14 | 90590 | Lever Plate, 6 | 90750 | Shaft, 4 |
| 90465 | Shift Function Arm #5, 3,14 | 90595 | Spring Post, 6 | 90752 | Washer - Felt, 4 |
| 90466 | Lower Case Cut-Out Disc #6-A, 3,14 | 90596 | Stud, 6 | 90753 | Ratchet - Right, 4 |
| 90467 | Function Arm #7-A, 3 | 90597 | Bushing, 6 | 90754 | Ratchet - Left, 4 |
| 90468 | Carriage Return Function Arm #8, 3,14 | 90598 | Bushing, 2,6 | 90755 | Friction Spring, 4 |
| 90469 | Function Arm #2-A, 3 | 90599 | Shim, 6 | 90756 | Extension, 4 |
| 90470 | Function Arm #7-B, 3 | 90604 | Lever, 6 | 90757 | Ribbon Shield, 4 |
| 90472 | Function Arm #6, 3 | 90606 | Spring, 6 | 90759 | Armature Bracket Link, 5 |
| 90473 | Function Arm #7, 3 | 90607 | Latch, 6 | 90764 | Ribbon Reverse Lever, 4 |
| 90475 | Gear (With Hub) (40-T 368 O.P.M.), 15,16 | 90608 | Backstop, 6 | 90765 | Basket, 7 |
| 90480 | Nut (9/16-32 Capstan), 3,14 | 90609 | Terminal, 6 | 90767 | Roller, 7 |
| 90481 | Cam Sleeve, 5 | 90610 | Bushing, 6 | 90770 | Roller Bearing, 7 |
| 90488 | Hub, 5 | 90611 | Function Arm, 14 | 90771 | Latch, 6 |
| 90489 | Gear (60-T.-368 O.P.M.), 15,16 | 90612 | Function Arm #2, 6 | 90772 | Contact Bracket (Assem.), 14 |
| 90490 | Shim, 5 | 90613 | Function Arm #3, 6 | 90774 | Bell Crank, 5 |
| 90491 | Bushing, 5 | 90614 | Function Arm #4, 6 | 90775 | Range Scale, 5 |
| 90493 | Cam Sleeve (Assem.), 5 | 90615 | Spring, 6,14 | 90778 | Platen Handle Shaft, 7 |
| | | 90616 | Stop Post, 6 | 90779 | Sleeve, 7 |
| | | 90617 | Pawl, 6 | 90780 | Screw (3/8-32 Thumb), 7 |
| | | 90618 | Plate (With Hub), 6 | 90781 | Release Latch, 7 |
| | | 90621 | Bushing, 6 | 90782 | Print Link Guide, 2 |
| | | 90622 | Stud, 6 | | |
| | | 90623 | Latch, 6 | | |
| | | 90624 | Unlatch Pawl, 6 | | |
| | | 90628 | Screw (6-40 Shoulder), 1 | | |
| | | 90629 | Gong Hammer, 6 | | |

| | | | | | |
|-------|--|-------|---|-------|---|
| 90783 | Adjusting Wrench, 4 | 90891 | Spring, 2, 6 | 91748 | Motor (1/40 H.P., 115 V., D.C., H.C. Model #CBD-2210), 16 |
| 90786 | Platen Clamp, 7 | 90892 | Spring, 6 | 91787 | Resistor (8000 Ohms), 13 |
| 90789 | Washer, 6 | 90893 | Post, 4 | 91900 | Cover - Left, 10 |
| 90790 | Washer, 6 | 90894 | Cable (W.D. 1640, 1646, & 1668), 2 | 91901 | Cover - Right, 10 |
| 90791 | Lock Washer, 2, 5 | 90895 | Cable, 14 | 91902 | Guard, 2 |
| 90796 | Paper Spindle (Includes 74877 Spring), 8 | 90898 | Draw Strap, 1 | 91903 | Stop Plate, 7 |
| 90797 | Power Cable (W.D. 1640 & 1646), 9 | 90900 | Connector, 10, 12 | 91905 | Ratchet (27 Teeth), 7 |
| 90798 | Line Cable (W.D. 1640), 9 | 90902 | Number Plate, 9, 12 | 91906 | Shim, 2 |
| 90799 | Screw (6-40 x 1/4), 2 | 90903 | Number Plate, 9, 12 | 91907 | Resistor Unit (150, 300, & 500 Ohms), 17 |
| 90802 | Keyboard Base, 9 | 90904 | Spring, 5 | 91908 | Paper Roll Holder (8-1/2"), (Includes 90395 & 1164), 8 |
| 90803 | Key Lever Guide, 9 | 90905 | Post, 5 | 91909 | Distributor Control Contacts (Assem.), 14 |
| 90804 | Bracket, 10 | 90906 | Nut (1/4-32 Thumb), 9, 12 | 91910 | Set of Parts for Motor Control Mechanism, 14 |
| 90805 | Key Lever Shaft, 10 | 90907 | Mounting Post, 9, 12 | 91911 | Set of Parts for Remote Signal Bell Contact, 14 |
| 90806 | Shaft Support, 10 | 90908 | Mounting Post - Front, 9 | 91912 | Power Cable (W.D. 1646 & 1668), 12 |
| 90807 | Spacer Bar Shaft, 9, 10 | 90909 | Cable Clamp, 10, 12 | 91913 | Line Cable (W.D. 1646), 9 |
| 90808 | Shaft, 11 | 90911 | Retaining Strip, 18 | 91914 | Function Arm #4, 3 |
| 90811 | Stud, 9 | 90912 | Retainer, 18 | 91923 | Motor Stop Function Arm #1, 3, 14 |
| 90814 | Resistor (1000 Ohms), 9 | 90913 | Retaining Ring, 18 | 91924 | Upper Case Cut-out Disc #7, 14 |
| 90815 | Resistor (5000 Ohms), 9, 12 | 90914 | Screw (6-40 Shoulder), 2 | 91925 | Function Control (Assem.), 14 |
| 90818 | Washer, 9 | 90916 | Crank, 7 | 91926 | Escapement Lever, 1 |
| 90819 | Oil Ring, 2, 9 | 90917 | Crank Handle, 7 | 91929 | Spring Drum Stop, 1 |
| 90820 | Slip Connection, 9, 12 | 90918 | Washer - Rubber, 7 | 91930 | Message Line Guide (Assem.) 15 |
| 90823 | Gear (16 Teeth), 11 | 90919 | Platen Handle Bracket, 1 | 91931 | Message Line Guide, 18 |
| 90825 | Gear (26 Teeth), 11 | 90924 | Name Plate, 9 | 91933 | Felt - Long, 18 |
| 90826 | Gears (12 & 30 Teeth), 9 | 90925 | Screw (4-40 x 3/16), 9, 12 | 91934 | Felt - Short, 18 |
| 90828 | Gears (7 & 30 Teeth), 9 | 90926 | Toggle Switch, 9, 12 | 91935 | Glass Retaining Felt, 18 |
| 90830 | Spacer, 2 | 90927 | Spacer Plate, 9, 12 | 91936 | Clamp, 20 |
| | | 90928 | Name Plate, 9 | 91938 | Backstop Support, 1 |
| | | 90929 | Bracket, 18 | 91939 | Rubber, 1 |
| | | 90930 | Copyholder, 18 | 91941 | Shim, 3 |
| | | 90931 | Copy Retaining Shelf, 18 | 91943 | Terminal Strap, 10, 12 |
| | | 90932 | Copy Retainer, 18 | 91952 | Line Cable (W.D. 1668), 12 |
| | | 90933 | Guide, 18 | 91953 | Wedge, 2 |
| | | 90934 | Rivet, 18 | 91956 | Detent, 7 |
| | | 90935 | Stud, 12 | 91957 | Cover (Assem.), 18 |
| | | 90936 | Silencing Disc, 18 | 91958 | Cover (Assem.), 18 |
| | | 90937 | Silencing Strip, 18 | 91960 | Printer Line Relay Mounting (Assem.), 13 |
| | | 90938 | Pad - Rear, 18 | 91961 | Contact Bracket (Assem.), 14 |
| | | 90939 | Pad - Front, 18 | 91968 | Offset Screwdriver (W.E. #96), 4 |
| | | 90940 | Pad - Right Side, 18 | 91969 | .004 Wire Gauge, 4 |
| | | 90941 | Pad - Left Side, 18 | 91970 | .005 Wire Gauge, 4 |
| | | 90942 | Paper Roll Bracket, 8 | 91971 | .018 Wire Gauge, 4 |
| | | 90944 | Glass, 18 | 91972 | .025 Wire Gauge, 4 |
| | | 90945 | Base Plate (Assem.), 12 | 91973 | .035 Wire Gauge, 4 |
| | | 90946 | Base Plate, 12 | 91974 | .055 Wire Gauge, 4 |
| | | 90947 | Silencing Strip - Rubber, 10 | 91975 | .065 Wire Gauge, 4 |
| | | 90948 | Clamp Plate - Long, 10 | 92181 | .105 Thickness Gauge, 4 |
| | | 90949 | Clamp Plate - Short, 10 | 92182 | .120 Thickness Gauge, 4 |
| | | 90951 | Lock Washer, 2 | 92273 | Magnet Core, 5 |
| | | 90952 | Screw (1/4-20 Shoulder), 12 | 92456 | Wound Stator, 15 |
| | | 90953 | Screw (3-48 x 5/16), 9, 12 | 92457 | Motor Lead, 15 |
| | | 90958 | Base - Receiving Only, 12 | 92458 | End Shield, 15 |
| | | 90959 | Screw (6-40 x 5/16), 18 | 92459 | End Shield, 15 |
| | | 90960 | Bracket, 13 | 92460 | Split Ring, 15 |
| | | 90961 | Spacer, 13 | 92462 | Screw (6-32 x 1), 15 |
| | | 90964 | Printer Line Relay Mounting (Assem.), 13 | 92463 | Screw (10-32 x 4), 15 |
| | | 90965 | Name Plate, 12 | 92464 | Ball Bearing, 15, 16 |
| | | 90966 | Line Cable (W.D. 1646), 12 | 92465 | Ball Bearing Spring, 15, 16 |
| | | 90967 | Cable (W.D. 1687), 13 | 92466 | Washer - Brass, 15, 16 |
| | | 90968 | Set of Paper Bracket Parts (Assem.) 8-1/2", 8 | 92467 | Oiler, 15, 16 |
| | | 90969 | Paper Chute (Assem.) 8-1/2", 8 | 92468 | Washer - Felt, 15, 16 |
| | | 90970 | Paper Chute (Assem.) 8", 8 | 92469 | Rotor (Assem.), 15 |
| | | 90971 | Set of Paper Bracket Parts (Assem.) 8", 8 | 92470 | Bushing, 15 |
| | | 90973 | Paper Finger, 7 | 92471 | Lock Washer, 15 |
| | | 90977 | Contact Lever Latch, 14 | 92472 | Lead Bushing, 15, 16 |
| | | 90978 | Latch Bracket, 14 | 92474 | Baffle Plate, 15 |
| | | 90979 | Latch Release Lever, 14 | 92475 | Screw (8-32 x 1/4), 15 |
| | | 90982 | Bracket, 17 | 92476 | End Shield, 16 |
| | | 90983 | Line Cable (W.D. 1641), 13, 17 | 92477 | End Shield, 16 |
| | | 90984 | Power Cable (W.D. 1641), 13 | 92478 | Screw (10-32 x 3), 16 |
| | | 90986 | Terminal Bracket, 13 | 92479 | Coil Retaining Pin, 16 |
| | | 90987 | Relay Bracket, 13 | 92480 | Brush Holder, 16 |
| | | 90988 | Motor Control Relay (Assem.), 13 | | |
| | | 90989 | Set of Parts for Break-Lock Mechanism, 14 | | |
| | | 90990 | Retaining Wire (.031"), 7 | | |
| | | 90991 | Retaining Wire (.062"), 7 | | |
| | | 90993 | Cable (W.D. 1652), 16, 17 | | |
| | | 90994 | Connector Plug, 15, 16 | | |
| | | 90995 | Gauge (.200"-.220"), 4 | | |
| | | 91113 | Spacing Block, 5 | | |

Type Pallets

| | |
|-------|-------------|
| 90831 | (A), 19 |
| 90832 | (B), 19 |
| 90833 | (C), 19 |
| 90834 | (D), 19 |
| 90835 | (E), 19 |
| 90836 | (F), 19 |
| 90837 | (G), 19 |
| 90838 | (H), 19 |
| 90839 | (I), 19 |
| 90840 | (J), 19 |
| 90841 | (K), 19 |
| 90842 | (L), 19 |
| 90843 | (M), 19 |
| 90844 | (N), 19 |
| 90845 | (O), 19 |
| 90846 | (P), 19 |
| 90847 | (Q), 19 |
| 90848 | (R), 19 |
| 90849 | (S), 19 |
| 90850 | (T), 19 |
| 90851 | (U), 19 |
| 90852 | (V), 19 |
| 90853 | (W), 19 |
| 90854 | (X), 19 |
| 90855 | (Y), 19 |
| 90856 | (Z), 19 |
| 90857 | (), 19 |
| 90858 | (Blank), 19 |
| 90859 | (1), 19 |
| 90860 | (2), 19 |
| 90861 | (3), 19 |
| 90862 | (4), 19 |
| 90863 | (5), 19 |
| 90864 | (6), 19 |
| 90865 | (7), 19 |
| 90866 | (8), 19 |
| 90867 | (9), 19 |
| 90868 | (1/8), 19 |
| 90869 | (1/4), 19 |
| 90870 | (3/8), 19 |
| 90871 | (1/2), 19 |
| 90872 | (5/8), 19 |
| 90873 | (3/4), 19 |
| 90874 | (7/8), 19 |
| 90875 | (), 19 |
| 90876 | (), 19 |
| 90877 | (), 19 |
| 90878 | (), 19 |
| 90879 | (), 19 |
| 90880 | (), 19 |
| 90881 | (), 19 |
| 90882 | (), 19 |
| 90883 | (), 19 |
| 90884 | (), 19 |
| 90885 | (), 19 |
| 90886 | (), 19 |
| 90887 | (), 19 |
| 90888 | (), 19 |
| 90889 | (), 19 |

92481 Brush (With Springs), 16
92482 Brush Holder Cap, 16
92483 Brush Holder Clip, 16
92484 Insulating Sleeve, 16
92485 Screw (10-32 x 3/16), 16
92486 Armature, 16
92487 Spacer, 16
92511 Roller, 20

102200 selector assembly - ask - 4/1/41

- 90968 Set of Paper Bracket Parts
- 90969 Paper Chute (Assem.)
- 40964 Line Relay Mounting (Assem.)
- 90949 Set of Parts for Break-Lock Mech.
- 91908 Small Paper Roll Holder
- 91909 X D Control Contacts (Assem.)
- 91911 Set of Parts for Remote Signal Bell Contact

81089 Set of Tools

(Similar to 81088 except having
93904 set of Temporary Gauges)

} atk-3/9/38

81093 Set of Tools 1/1/40. WYL

addB- 12/30/37
TLC- 1/17/38

CHANGES IN BULLETIN NO. 1073 (ISSUE 1, JULY, 1937)
PARTS, TYPE WHEEL PAGE PRINTER (MODEL 24)

Page 2

The 90551 space arm bail, which has a straight arm on which the 90553 spring post (1-11/64" long) is mounted, has been redesigned. The new style space arm bail, which retains the same number (90551) has an offset arm on which a new 93006 spring post (1-1/64" long) is mounted. The 93006 spring post replaces the 90553 spring post.

NOTE: The 90553 and 93006 spring posts are not interchangeable with the old and new style space arm bails. The 93006 spring post must be used with the new style space arm bail, and the 90553 spring post must be used for replacement on the old style space arm bail.

The 74975 screws that mount the 90532 function bracket have been replaced by 92826 shoulder screws.

Page 4

The 76289 slotted nut wrench, included in the 81082 set of special tools for 24 type printer, has been replaced by a 76280 capstan wrench.

Page 5

In the illustration for the selector plate assembly, the arrow for the 90524 screw and 3599 nut points to the wrong screw. It should point to the two stop screws and nuts in the 90520 armature lever.

The number for the separator plate, shown just below the selecting mechanism, is 6689.

Page 13

The 90988 motor control relay (assem.) should read "90981 Motor Control Relay (Assem.)" and should include the 90983 and 90984 cables.

The 8809 and 74853 line cords should read "power cord."

Page 15

The 90489 gear (60T), 90475 gear (with hub)-(40T), and 90308 pinion, are no longer included in the 90420 synchronous motor unit (Assem.)

The 78484 motor fan (with hub) should read "76484 motor fan (with hub)."

The 92470 bushing should read "92470 cupped washer (fibre)."

The 86327 bushing should read "86327 bushing (fibre)."

The number 93005 has been assigned to a rotor (Assem.) - with bearings and cut-out, for the 90305 synchronous motor and consists of the following parts:

APR 10 1938

| | | |
|-------|------------------------|-----|
| 92469 | Rotor (Assem.) | (1) |
| 92464 | Ball bearing | (2) |
| 92460 | Split ring | (1) |
| 86325 | Cut-out (with springs) | (1) |
| 86329 | Screw | (2) |
| 92471 | Lock washer | (2) |
| 92470 | Cupped washer (fibre) | (2) |
| 86327 | Bushing (fibre) | (2) |

Page 16

The number 93004 has been assigned to an armature (Assem.) - with bearings, for the 91748 D.C. motor and consists of the following parts:

| | | |
|-------|--------------|-----|
| 92486 | Armature | (1) |
| 92464 | Ball bearing | (2) |
| 92487 | Spacer | (1) |

The number 90992 has been assigned to a D.C. motor unit (Assem.) which consists of all the parts listed on pages 16 and 17, except the 90489 gear (60T), 90475 gear (with hub)-(40T), and 90308 pinion (listed on page 16) which are not included.

Page 18

The number 90972 has been assigned to a "Set of parts for offset copyholder" which consists of all the parts listed on the lower half of the page.