

37 ELECTRICAL SERVICE UNIT (YESU)
PARTS

| FIGURE | CONTENTS | PAGE |
|--------|---|------|
| 1 | Container | 2 |
| 2 | Terminal Boards | 3 |
| 3 | 312384 Power Distribution Assembly | 4 |
| 4 | 312370 Multi-Voltage Power Supply | 5 |
| 5 | 312908 Selector Magnet Driver | 6 |
| 6 | 315991 Signal Regenerator Assembly | 7 |
| 7 | 312914 Signal Bell Assembly | 8 |
| 8 | 312880 Non-Contention and Pulse Extender Relay Assembly | 8 |
| 9 | Cable Components | 9 |
| | Numerical Index | 10 |

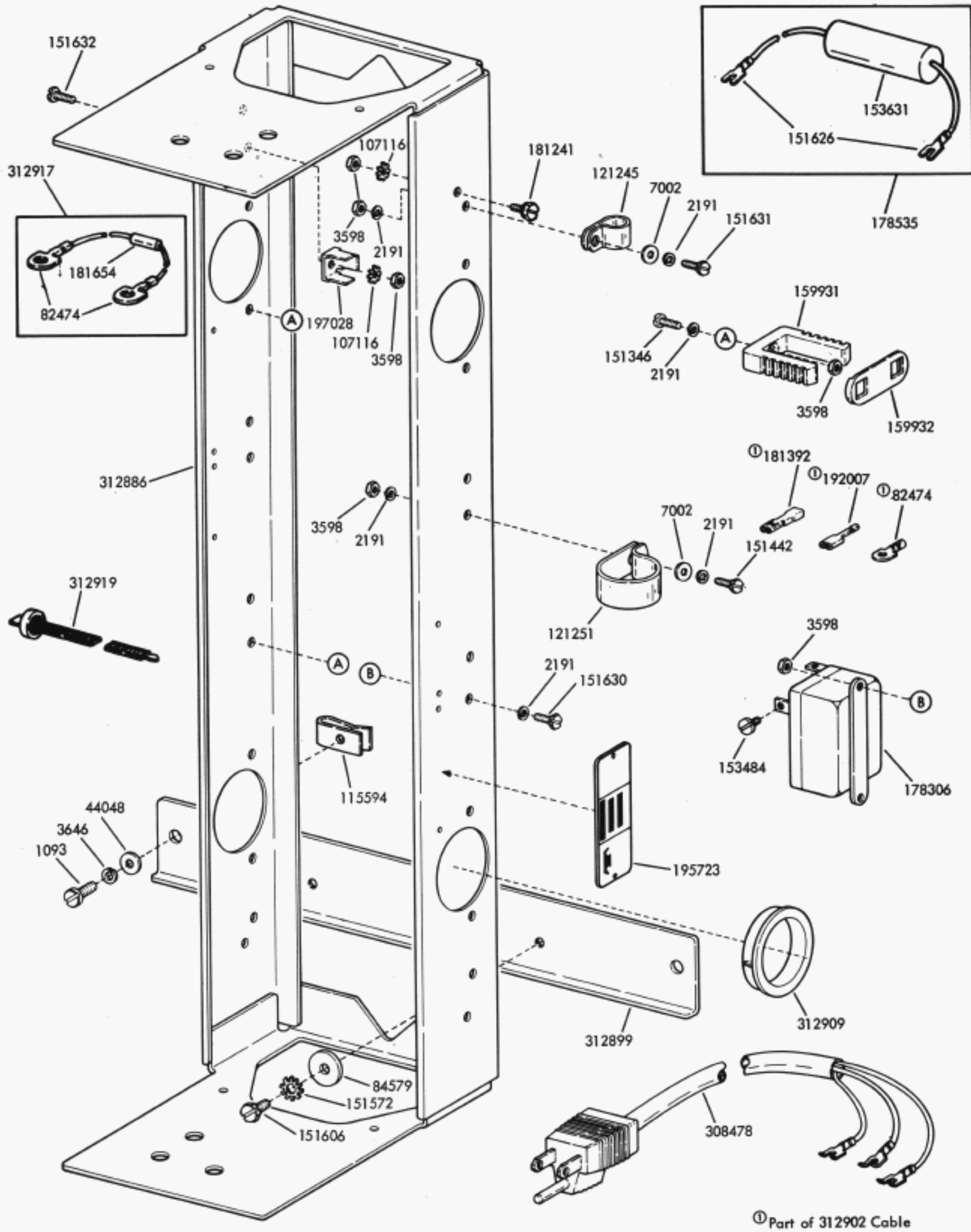


FIGURE 1. CONTAINER

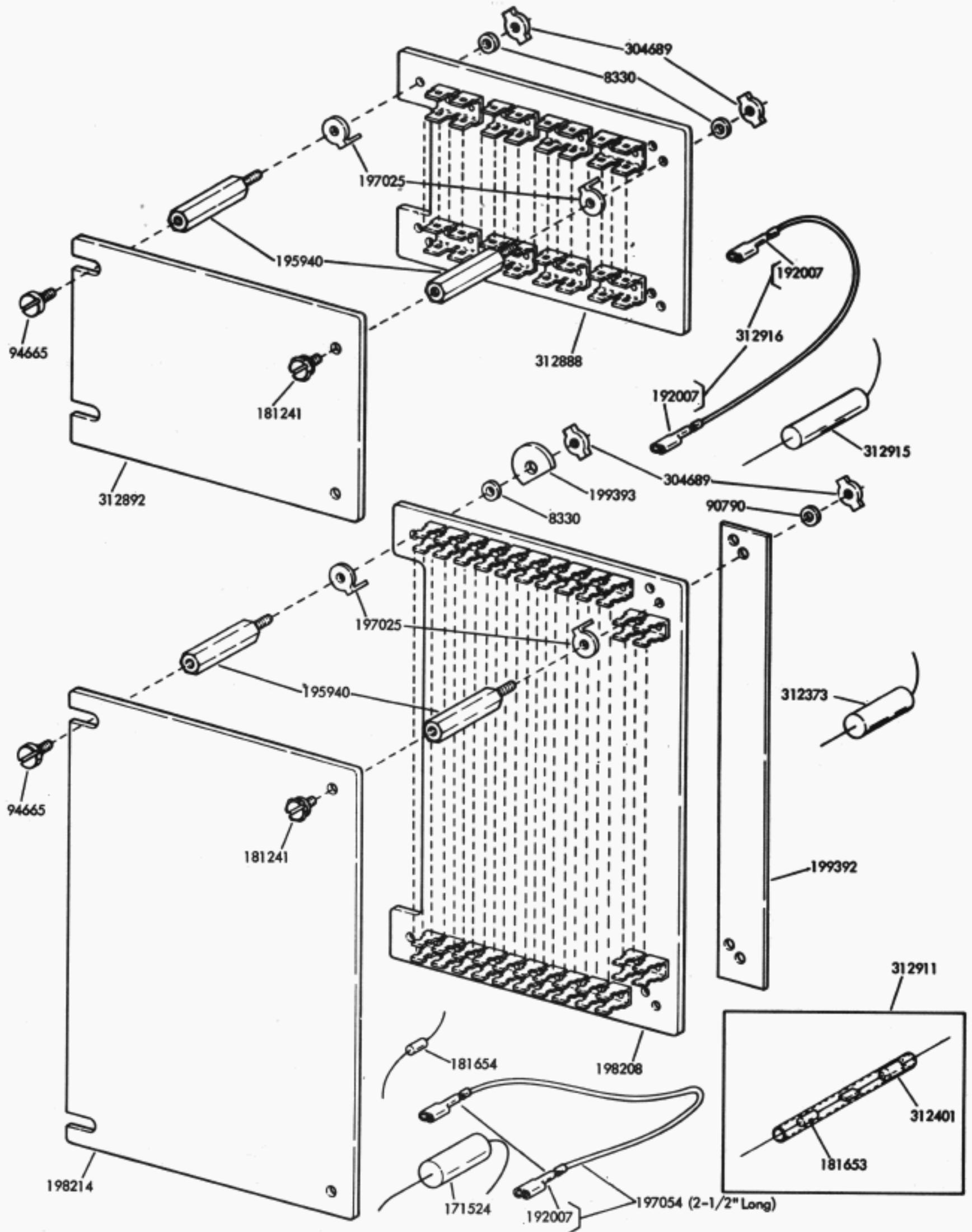


FIGURE 2. TERMINAL BOARDS

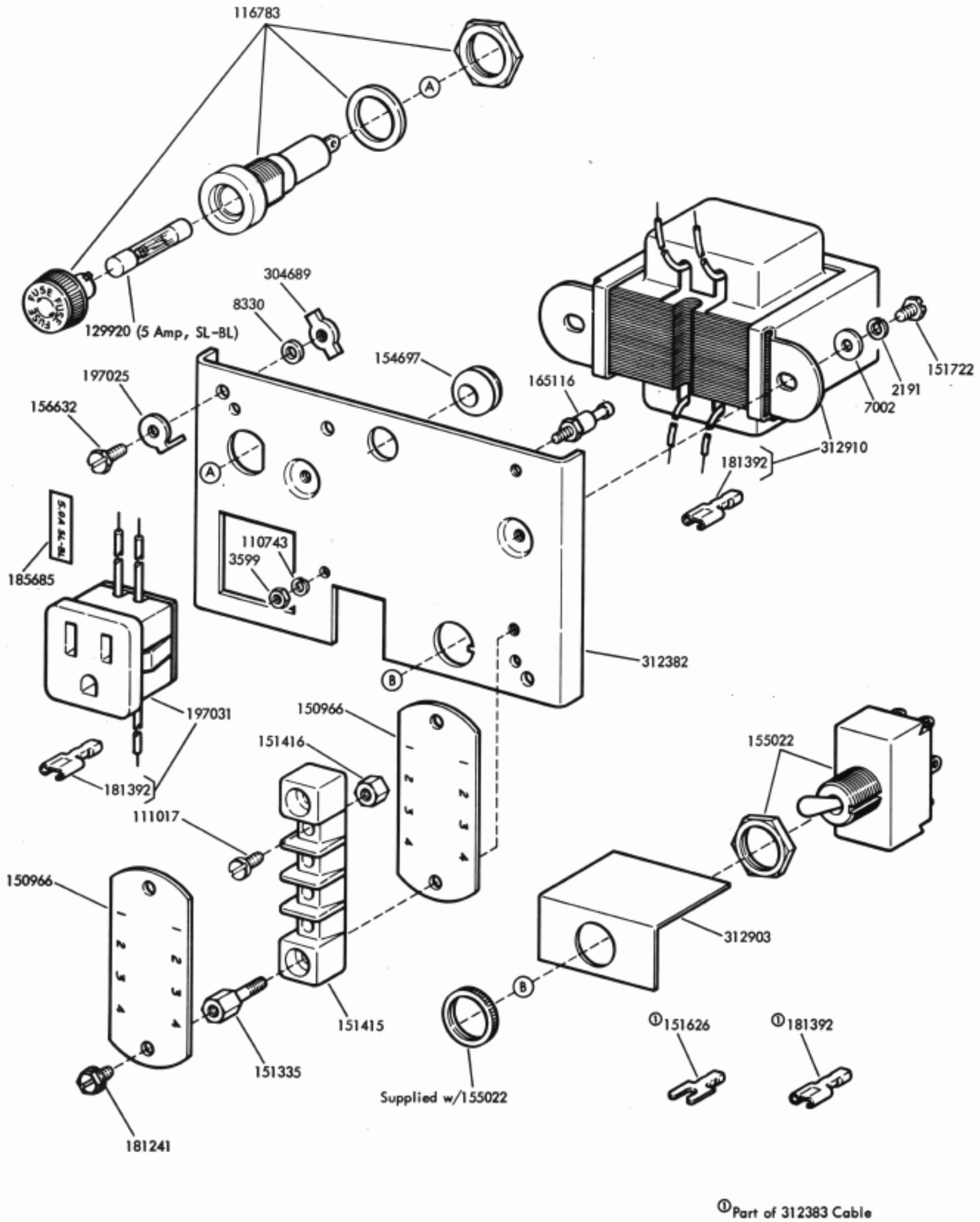
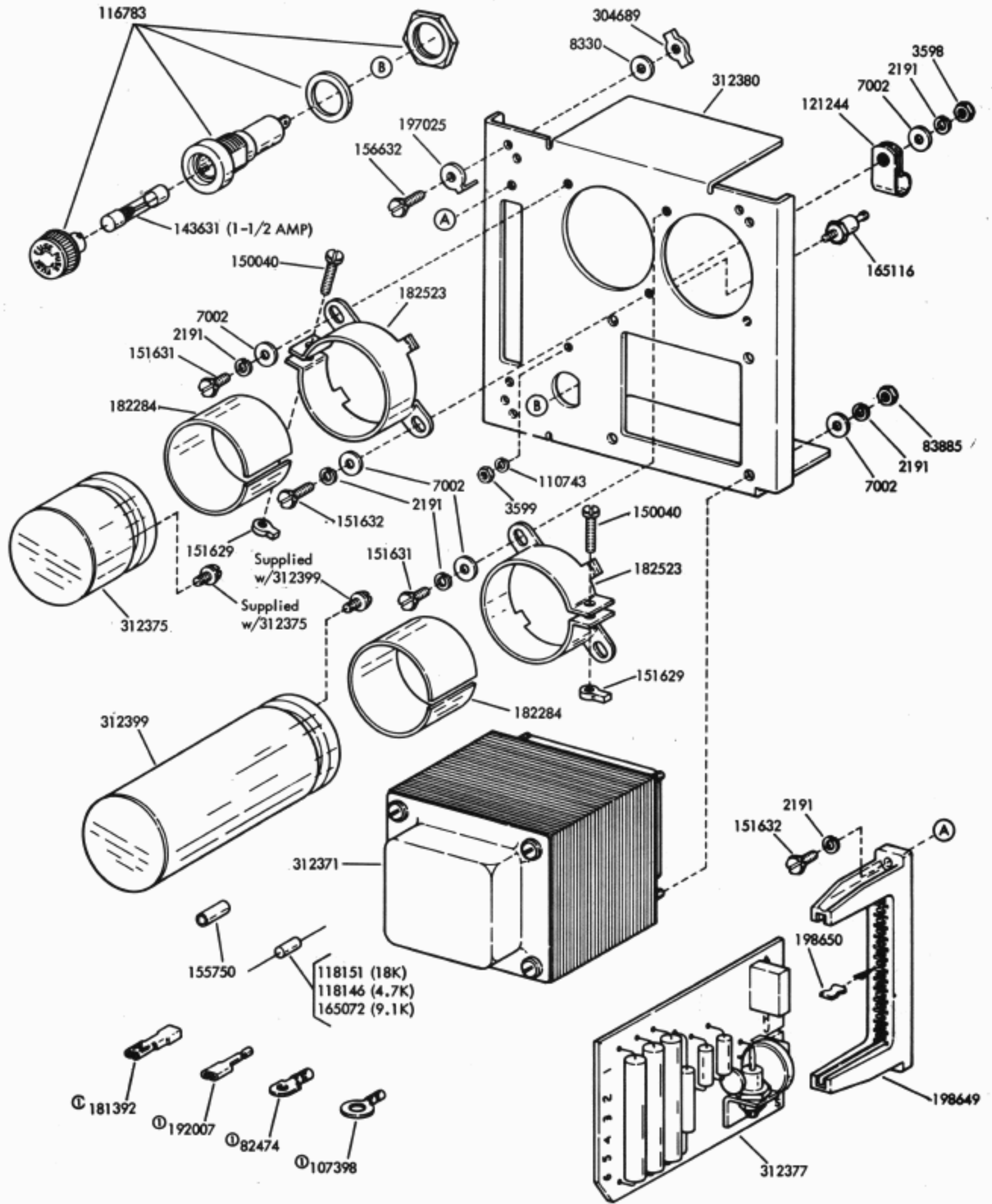


FIGURE 3. 312384 POWER DISTRIBUTION ASSEMBLY



ⓐ Part of 312381 Cable

FIGURE 4. 312370 MULTI-VOLTAGE POWER SUPPLY

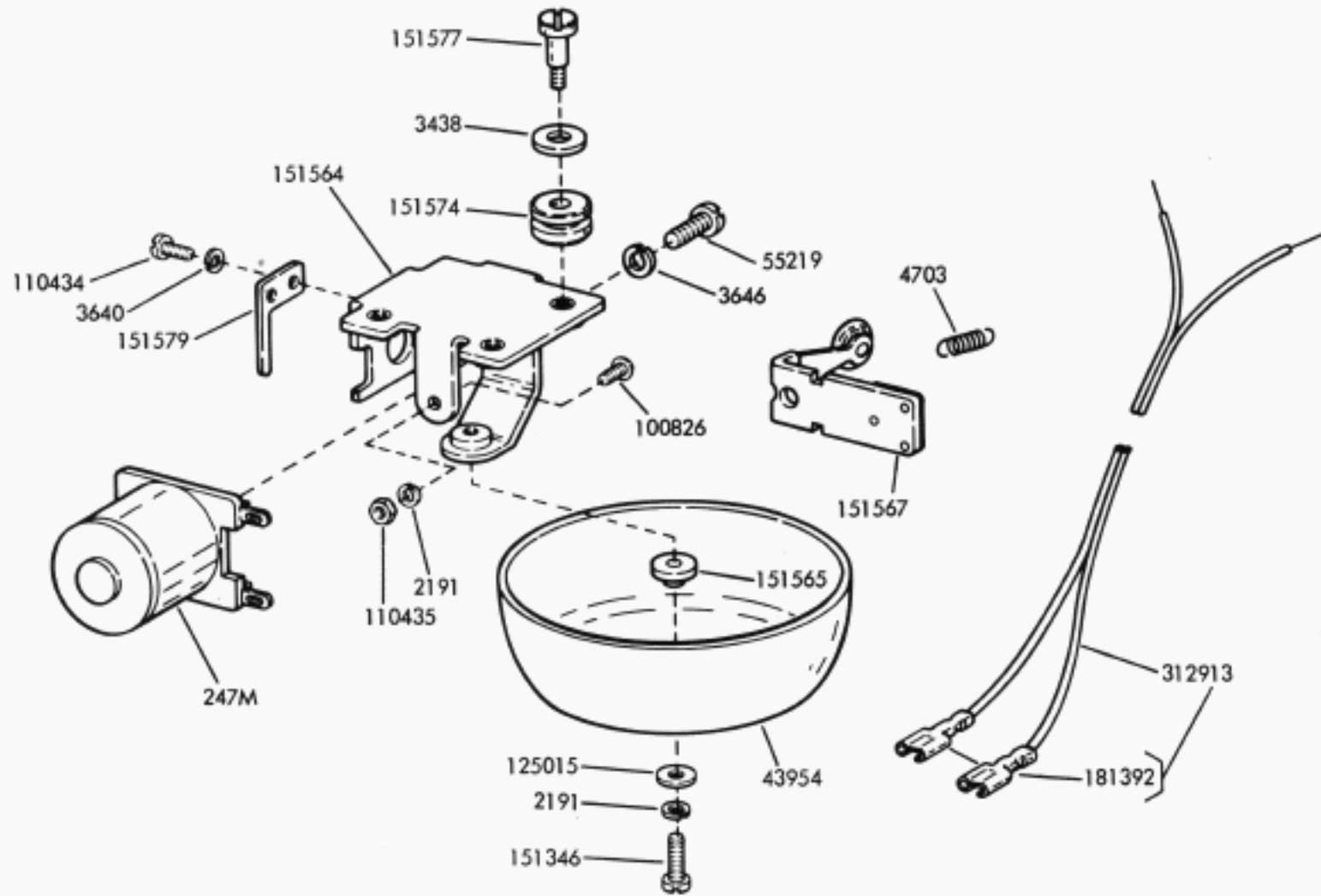


FIGURE 7. 312914 SIGNAL BELL ASSEMBLY

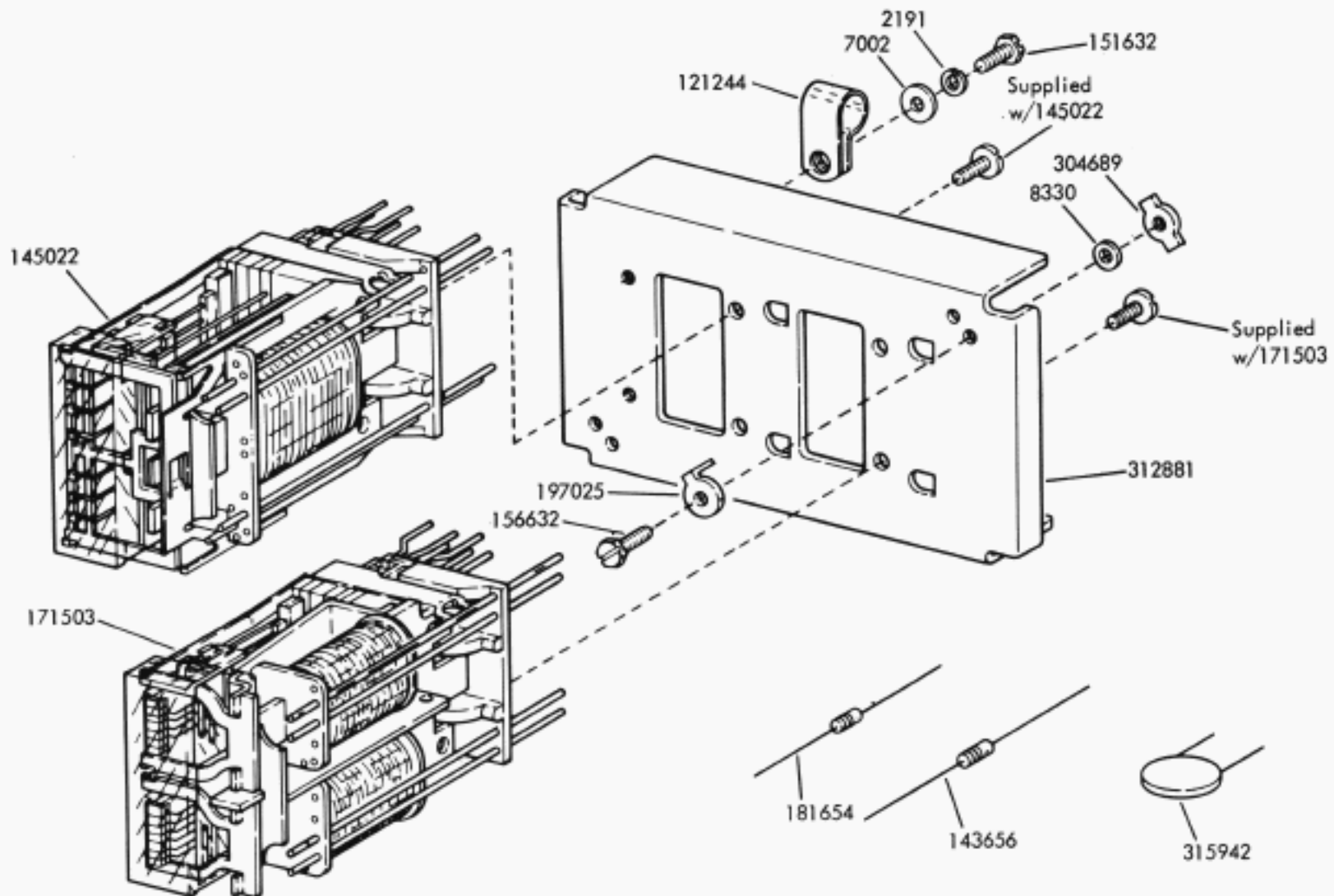






FIGURE 8. 312880 NON-CONTENTION & PULSE EXTENDER RELAY ASSEMBLY

| CONNECTORS | | | | | | | | | |
|---|------|------|---|----------|------|---|----------|------|--------|
|  | | |  | | |  | | | |
| Inner (Length .31) | | | Outer (Length .25) | | | Insulated (Length .46) | | | |
| Part No. | I.D. | O.D. | Color | Part No. | I.D. | Color | Part No. | I.D. | Color |
| 171950 | .090 | .114 | Orange | 171961 | .187 | Orange | 171972 | .187 | Green |
| 171951 | .109 | .131 | Red | 171962 | .199 | Tin | 171973 | .207 | Black |
| 171952 | .124 | .145 | Green | 171963 | .207 | Yellow | 171974 | .261 | Red |
| 171953 | .134 | .156 | Orange | 171964 | .235 | Orange | 172275 | .156 | Yellow |
| 171954 | .150 | .181 | Blue | 171965 | .261 | Yellow | 172276 | .180 | Blue |
| 171955 | .156 | .191 | Red | 171966 | .281 | Purple | 172277 | .235 | Green |
| 171956 | .180 | .204 | Green | 171967 | .300 | Green | 172278 | .281 | Blue |
| 171957 | .194 | .225 | Blue | 171968 | .312 | Yellow | 172279 | .312 | Yellow |
| 171958 | .219 | .243 | Tin | 171969 | .344 | Orange | 144216 | .058 | Red |
| 171959 | .261 | .297 | Blue | 171970 | .375 | Blue | | | |
| 171960 | .297 | .337 | Red | 171971 | .405 | Red | | | |

| INSULATING SLEEVES | | |
|---|-------|--------|
|  | | |
| Part No. | I.D. | Length |
| 155750 | 3/32 | 1/2" |
| 155751 | 1/8 | 1" |
| 155752 | 5/64 | 1/2" |
| 155753 | 1/8 | 1/2" |
| 155754 | 1/16 | 1/2" |
| 155755 | 11/64 | 5/8" |

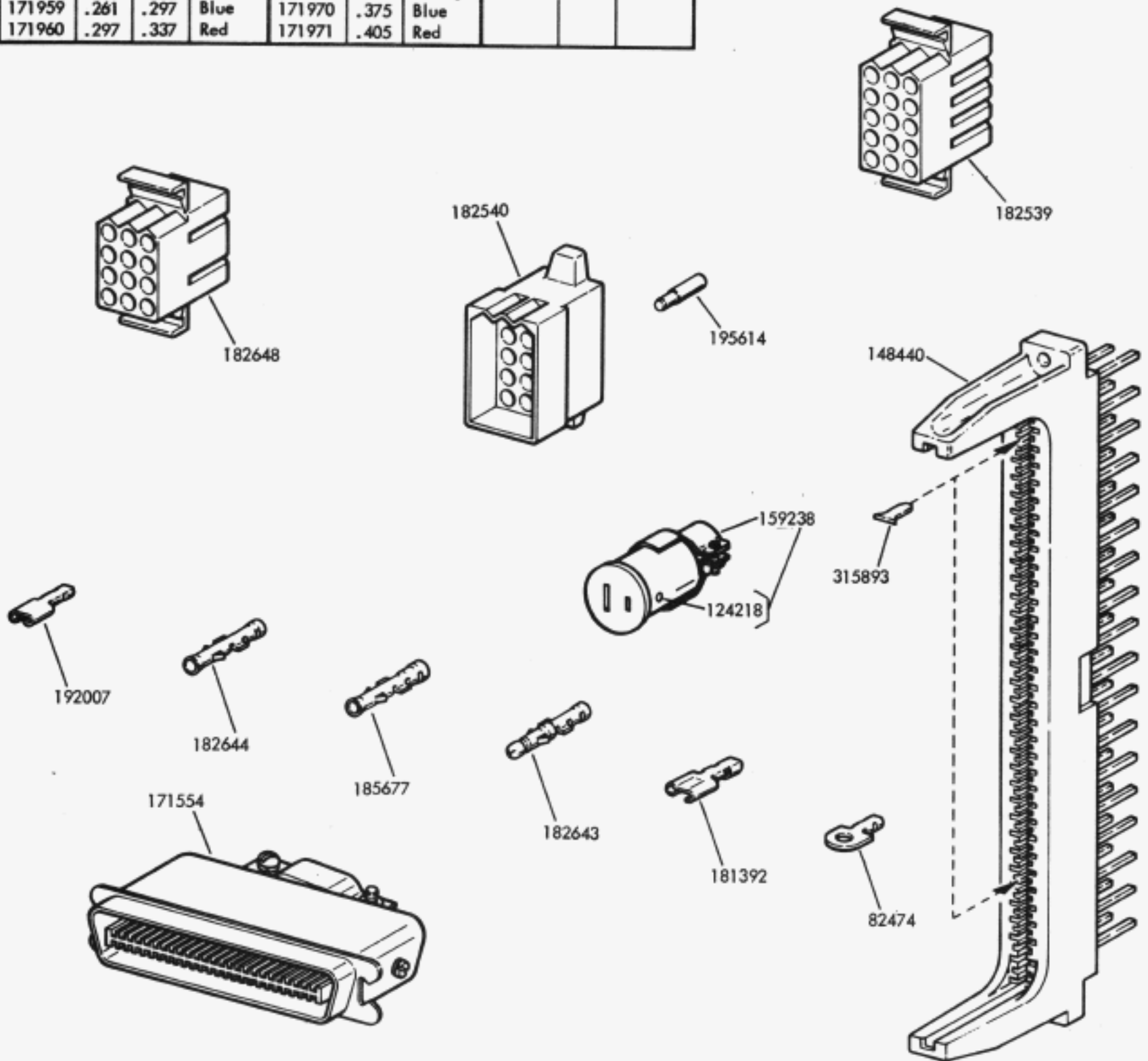


FIGURE 9. CABLE COMPONENTS

NUMERICAL INDEX

| Part Number | Description and Page Number | Part Number | Description and Page Number | Part Number | Description and Page Number |
|-------------|---------------------------------|-------------|---|-------------|--|
| 247M | Coil, Magnet 8 | 151631 | Screw, 6-40 x 5/16 Hex 2, 5, 6, 7 | 180586 | Sleeve, 5/32 ID x 21/32 Lg Insulating 6 |
| 1093 | Screw, 8-32 x 7/16 Fil 2 | 151632 | Screw, 6-40 x 3/8 Hex 2, 5 to 8 | 180675 | Screw, #6 Self-Tapping 6 |
| 2191 | Washer, Lock 2, 4 to 8 | 151722 | Screw, 6-40 x 3/16 Hex 4 | 181241 | Screw w/Lockwasher, 6-40 x 1/4 Hex 2, 3, 4 |
| 3438 | Washer, Flat 8 | 153484 | Screw, 6-32 Spl 2 | 181266 | Bushing, Insulating 6 |
| 3598 | Nut, 6-40 Hex 2, 5, 6, 7 | 153538 | Screw, 6-40 x 7/16 Hex 7 | 181300 | Sleeve, 3/16 ID x 1" Lg Insulating 7 |
| 3599 | Nut, 4-40 Hex 4, 5 | 153631 | Network, Spark Suppression 2 | 181392 | Terminal, Tab Type 2, 4 to 8 |
| 3640 | Washer, Lock 8 | 154697 | Grommet, Rubber 4 | 181653 | Diode 3 |
| 3646 | Washer, Lock 2, 8 | 155022 | Switch, DP-DT Toggle 4 | 181654 | Diode 2,3,8 |
| 4703 | Spring 8 | 155750 | Sleeve, 3/32 ID x 1/2 Lg Insulating 5, 6, 9 | 181675 | Transistor, Power 6 |
| 7002 | Washer, Flat 2, 4 to 8 | 155751 | Sleeve, 1/8 ID x 1 Lg Insulating 9 | 182182 | Holder, Fuse 7 |
| 8330 | Washer, Flat 3, 4, 5, 8 | 155752 | Sleeve, 5/64 ID x 1/2 Lg Insulating 9 | 182284 | Insulator, .015 Thk 5, 6, 7 |
| 43954 | Bell 8 | 155753 | Sleeve, 1/8 ID x 1/2 Lg Insulating 9 | 182501 | Capacitor, 1,500 MFD 6 |
| 44048 | Washer, Flat 2 | 155754 | Sleeve, 1/16 ID x 1/2 Lg Insulating 9 | 182523 | Clamp, 1-3/8 ID Mounting 5, 6, 7 |
| 55219 | Screw, 8-32 x 3/8 Fil 8 | 155755 | Sleeve, 11/64 ID x 5/8 Lg Insulating 9 | 182539 | Connector, 15 Pt Receptacle Type 9 |
| 76461 | Washer, Flat 6 | 156632 | Screw, 6-40 x 13/32 Hex 4, 5, 7, 8 | 182540 | Connector, 15 Pt Plug Type 9 |
| 82474 | Terminal 2, 5, 9 | 156740 | Screw, 6-40 x 7/32 Hex 7 | 182611 | Fuse, 3/8 Amp SL-BL 6 |
| 83885 | Nut, 6-32 Hex 5 | 159238 | Connector, 2 Pt Receptacle 9 | 182643 | Terminal, Plug Type 9 |
| 84579 | Washer, Flat 2 | 159931 | Clamp 2 | 182644 | Terminal, Receptacle Type 9 |
| 90790 | Washer, Flat 3 | 159932 | Keeper 2 | 182648 | Connector, 12 Pt Receptacle Type 9 |
| 94665 | Screw, 6-40 Shoulder 3 | 164958 | Screw, 4-40 x 1/2 Hex 6 | 183111 | Label 6 |
| 100826 | Screw, 4-40 x 3/16 Rd 8 | 165072 | Resistor, 9,100 Ohm 5 | 185677 | Terminal, Receptacle Type 9 |
| 107116 | Washer, Lock 2 | 165116 | Terminal 4, 5 | 185685 | Plate, Identification 4 |
| 107398 | Terminal 5, 6 | 171503 | Relay 8 | 192007 | Terminal, Tab Type 2, 3, 5, 6, 7, 9 |
| 110434 | Screw, 4-40 x 3/16 Fil 8 | 171524 | Resistor, 700 Ohm 3 | 193405 | Nut, Speed 6 |
| 110435 | Nut, 4-40 Hex 6, 8 | 171554 | Connector, 50 Pt Plug 9 | 195153 | Transformer 6 |
| 110743 | Washer, Lock 4, 5, 6 | 171950 | Connector, Orange Shielding 9 | 195242 | Plate, Mounting 6 |
| 111017 | Screw, 6-40 x 5/16 Fil 4 | 171951 | Connector, Red Shielding 9 | 195243 | Plate, Heat Sink 6 |
| 113442BK | Jumper, 2-1/2" Black 6 | 171952 | Connector, Green Shielding 9 | 195245 | Sleeve, 1/2 ID x 1-1/2" Lg Insulating 6 |
| 115594 | Nut, 8-32 Speed 2 | 171953 | Connector, Orange Shielding 9 | 195614 | Pin, Key 9 |
| 116783 | Holder, Fuse 4, 5, 6 | 171954 | Connector, Blue Shielding 9 | 195723 | Plate, Identification 2 |
| 118146 | Resistor, 4,700 Ohm 5 | 171955 | Connector, Red Shielding 9 | 195940 | Stud 3 |
| 118151 | Resistor, 18,000 Ohm 5 | 171956 | Connector, Green Shielding 9 | 197025 | Stop 3, 4, 5, 7, 8 |
| 121244 | Clamp, 1/4 ID Cable 5 to 8 | 171957 | Connector, Blue Shielding 9 | 197028 | Terminal 2 |
| 121245 | Clamp, 5/16 ID Cable 2 | 171958 | Connector, Tin Shielding 9 | 197031 | Connector, 3 Pt Receptacle 4 |
| 121251 | Clamp, 1 ID Cable 2 | 171959 | Connector, Blue Shielding 9 | 197054 | Jumper, 2-1/2" Black 3 |
| 121537 | Terminal 7 | 171960 | Connector, Red Shielding 9 | 198208 | Board, Terminal 3 |
| 121630 | Washer, Flat 7 | 171961 | Connector, Orange Shielding 9 | 198214 | Cover 3 |
| 124218 | Pin, Drive 9 | 171962 | Connector, Tin Shielding 9 | 198649 | Connector, 15 Pt Circuit Card 5, 6 |
| 125011 | Washer, Flat 6 | 171963 | Connector, Yellow Shielding 9 | 198650 | Key, Polarizing 5, 6 |
| 125015 | Washer, Flat 8 | 171964 | Connector, Orange Shielding 9 | 199392 | Insulator 3 |
| 129920 | Fuse, 5 Amp 4 | 171965 | Connector, Yellow Shielding 9 | 199393 | Washer, Insulating 3 |
| 131099 | Terminal, 21/32 Lg 6 | 171966 | Connector, Purple Shielding 9 | 302722 | Capacitor, 2,500 MFD 7 |
| 139200 | Fuse, 1/8 Amp 7 | 171967 | Connector, Green Shielding 9 | 304689 | Plate, Clamp 3,4,5,7,8 |
| 143631 | Fuse, 1.5 Amp 5 | 171968 | Connector, Yellow Shielding 9 | 308478 | Cable Assembly 2 |
| 143656 | Resistor, 51 Ohm 8 | 171969 | Connector, Orange Shielding 9 | 311406 | Terminal, Receptacle Type 6 |
| 144216 | Connector, Red Insulated 9 | 171970 | Connector, Blue Shielding 9 | 312352 | Card, Circuit 6 |
| 144590 | Screw, 6-40 x 1-3/8 Fil 6 | 171971 | Connector, Red Shielding 9 | 312370 | Power Supply, Multi-Voltage 1,5 |
| 145022 | Relay 8 | 171972 | Connector, Green Insulated 9 | 312371 | Transformer 5 |
| 148440 | Connector, 36 Pt Circuit Card 9 | 171973 | Connector, Black Insulated 9 | 312373 | Resistor, 500 Ohm 3 |
| 150040 | Screw, 6-40 x 5/8 Fil 5 to 7 | 171974 | Connector, Red Insulated 9 | 312375 | Capacitor, 400 MFD 5 |
| 150966 | Insulator, Terminal 4 | 172275 | Connectoe, Yellow Insulated 9 | 312377 | Card, Circuit 5 |
| 151335 | Stud 4 | 172276 | Connector, Blue Insulated 9 | 312380 | Chassis 5 |
| 151346 | Screw, 6-40 x 3/8 Fil 2, 8 | 172277 | Connector, Green Insulated 9 | 312381 | Cable w/Terminals 5 |
| 151415 | Block, Terminal 4 | 172278 | Connector, Blue Insulated 9 | 312382 | Chassis 4 |
| 151416 | Nut, 6-40 Hex 4 | 172279 | Connector, Yellow Insulated 9 | 312383 | Cable w/Terminals 4 |
| 151442 | Screw, 6-40 x 1/2 Hex 2 | 177113 | Insulator 6 | 312384 | Distribution Assembly, Power 1,4 |
| 151564 | Bracket 8 | 178306 | Relay, Power 2 | 312399 | Capacitor, 1,000 MFD 1,500 MFD Dual 5 |
| 151565 | Bushing, Shoulder 8 | 178535 | Suppressor, Spark 2 | | |
| 151567 | Armature w/Clapper 8 | | | | |
| 151572 | Washer, Lock 2 | | | | |
| 151574 | Grommet, Rubber 8 | | | | |
| 151577 | Screw, 6-40 Shoulder 8 | | | | |
| 151579 | Plate, Retaining 8 | | | | |
| 151606 | Screw, 10-32 x 1/4 Hex 2 | | | | |
| 151626 | Terminal 2, 4 | | | | |
| 151629 | Nut, 6-40 Lug 5, 6, 7 | | | | |
| 151630 | Screw, 6-40 x 1/4 Hex 2 | | | | |

NUMERICAL INDEX (Continued)

| Part Number | Description and Page Number | Part Number | Description and Page Number | Part Number | Description and Page Number |
|-------------|-----------------------------|-------------|------------------------------|-------------|---------------------------------|
| 312401 | Diode 3 | 312908 | Driver, Selector Magnet 1, 6 | 315893 | Key, Polarizing 9 |
| 312880 | Relay Assembly 1, 8 | 312909 | Bushing, Plastic 2 | 315942 | Capacitor, .1 MFD 8 |
| 312881 | Chassis, Relay 8 | 312910 | Transformer 4 | 315991 | Generator Assembly Signal 1,7 |
| 312886 | Container 2 | 312911 | Diode 3 | 315994 | Plate, Mounting 7 |
| 312888 | Board, Terminal 3 | 312913 | Cable w/Terminal 8 | 315999 | Bracket 7 |
| 312892 | Cover 3 | 312914 | Bell Assembly, Signal 1, 8 | 321520 | Transformer 7 |
| 312899 | Bracket, Mounting 2 | 312915 | Network, Spark Suppression 3 | 321522 | Connector, 14 Pt Circuit Card 7 |
| 312902 | Cable w/Terminals 2 | 312916 | Jumper, 3" Black 3, 7 | 321523 | Cable w/Terminals 7 |
| 312903 | Insulator, Switch 4 | 312917 | Diode w/Terminals 2 | 322004 | Card, Circuit 7 |
| 312907 | Cable w/Terminal 6 | 312919 | Strap, Cable 2 | | |