

32 AND 33 KEYBOARD

LUBRICATION

CONTENTS	PAGE
1. GENERAL	1
2. BASIC UNIT	2
Codebar mechanism	4
Contact block	3
HERE IS, BREAK, and REPT keylevers	3
Keyboard	2
Keylevers	2
Latchlever hooks	3
Reset bail	4
Spacebar	2
Universal lever	4

<u>Operating Speed</u> (Words per Minute)	<u>Lubrication</u> <u>Interval</u>
60 or 66	1000 hr* or 1 yr**
100	500 hr* or 6 mo**

*Station Set operating hours.
**Whichever comes first.

1.05 The textual instructions that accompany each line drawing consist of abbreviated directions, specific lubrication points, and parts affected. The meanings of the abbreviated directions (symbols) are given below:

<u>Symbol</u>	<u>Meaning</u>
D	Keep dry - no lubricant permitted
OL	Oil liberally (3 or more drops)
OS	Oil sparingly (1 or 2 drops only)
OSD	Oil sparingly or leave dry**
OSL	Oil sparingly or liberally

**Applies to all areas not contacted by other parts.

1.06 References to "left," "right," "front," or "rear," etc consider the keyboard to be viewed from a position where the spacebar faces up and the contact mechanism is located to the viewer's right.

CAUTION: DO NOT USE ALCOHOL, MINERAL SPIRITS, OR OTHER SOLVENTS TO CLEAN PLASTIC PARTS OR PARTS WITH PROTECTIVE-DECORATIVE FINISHES. NORMALLY, A SOFT, DRY CLOTH SHOULD BE USED TO REMOVE DUST, OIL, GREASE, OR OTHERWISE CLEAN PARTS OR SUBASSEMBLIES. IF NECESSARY, A SOFT CLOTH DAMPENED WITH SOAP OR MILD DETERGENT MAY BE USED. AFTERWARDS, RINSE PART OR SUBASSEMBLY WITH A SOFT, DAMP CLOTH AND BUFF WITH A SOFT, DRY CLOTH.

1. GENERAL

1.01 This section is issued to provide instructions for lubricating the 32 and 33 keyboard and to present the lubricating instructions as a separate section.

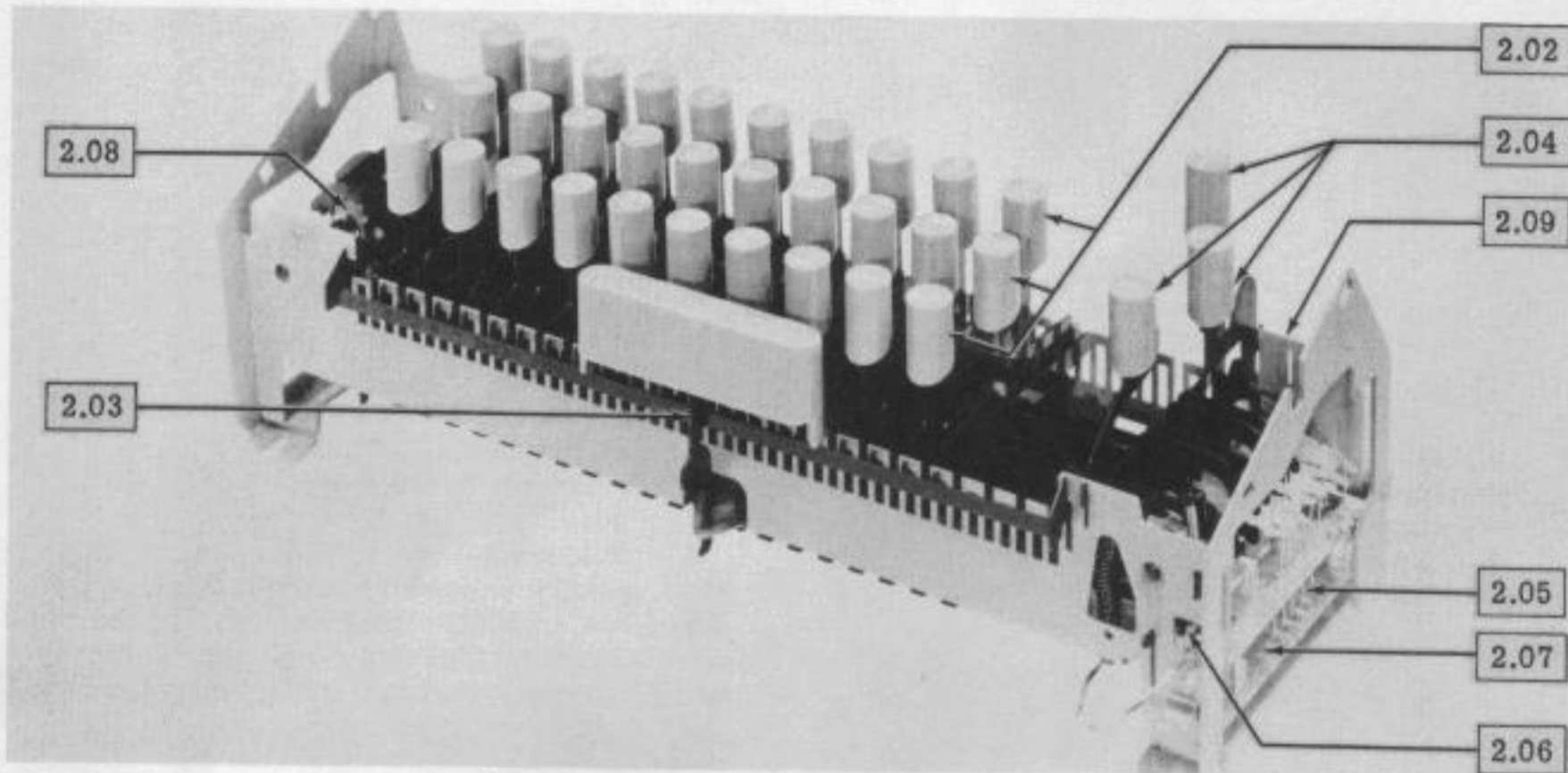
1.02 The general lubrication areas are illustrated by a photograph. The specific points to receive lubricant are indicated on line drawings with appropriate textual instructions. The line drawings and textual instructions follow the photograph and are keyed to the photograph by paragraph numbers.

1.03 Thoroughly lubricate the keyboard, but avoid over lubrication that might permit the lubricant to drip or be thrown onto adjacent parts. Use KS7470 Oil.

1.04 Lubricate the keyboard before placing it into service or prior to storage. After a short period of service, relubricate it to make sure no areas have been missed. Thereafter, lubricate the keyboard at regular intervals as indicated:

2. BASIC UNIT

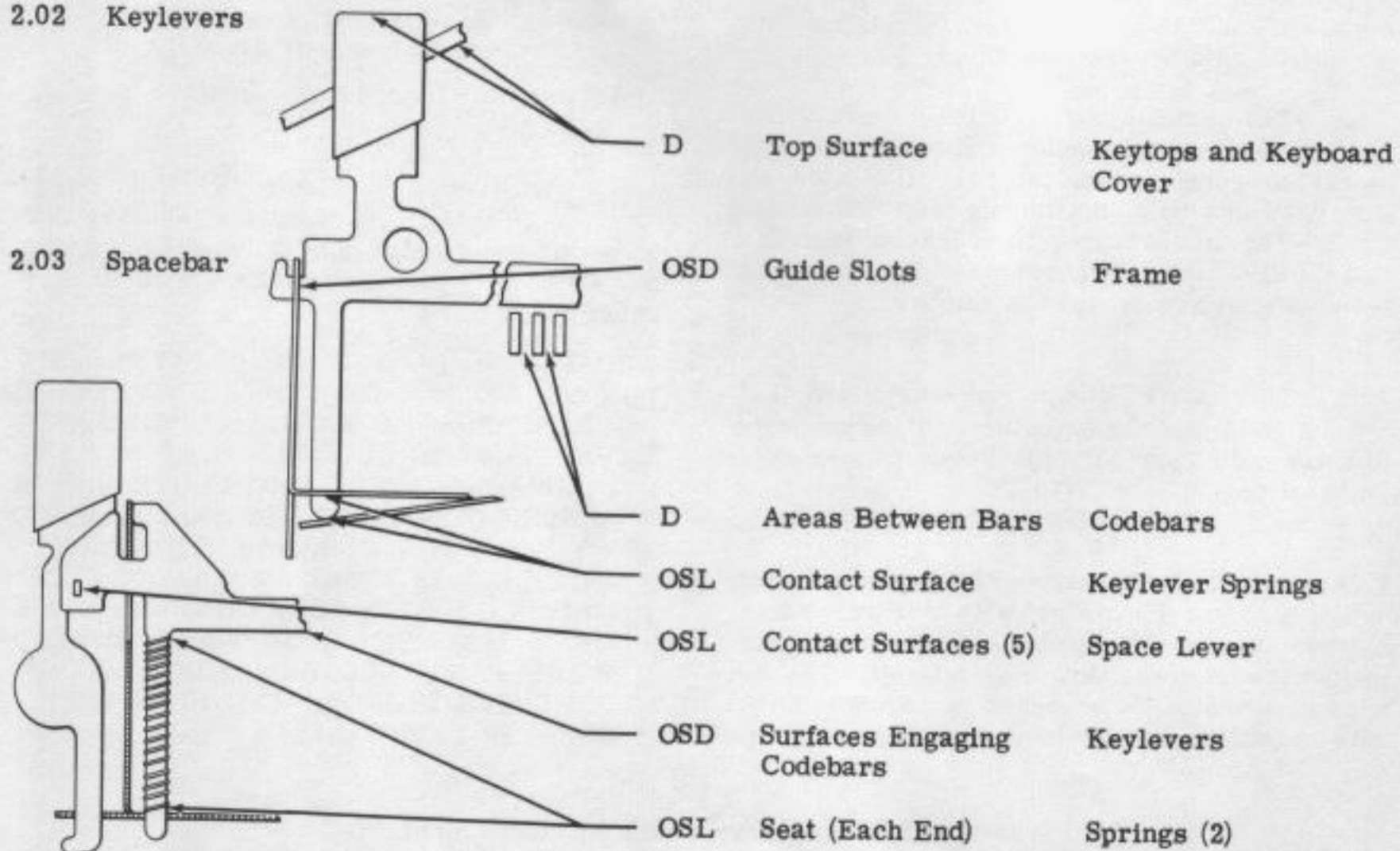
2.01 Keyboard



(KEYBOARD - COVER REMOVED - RIGHT FRONT VIEW)

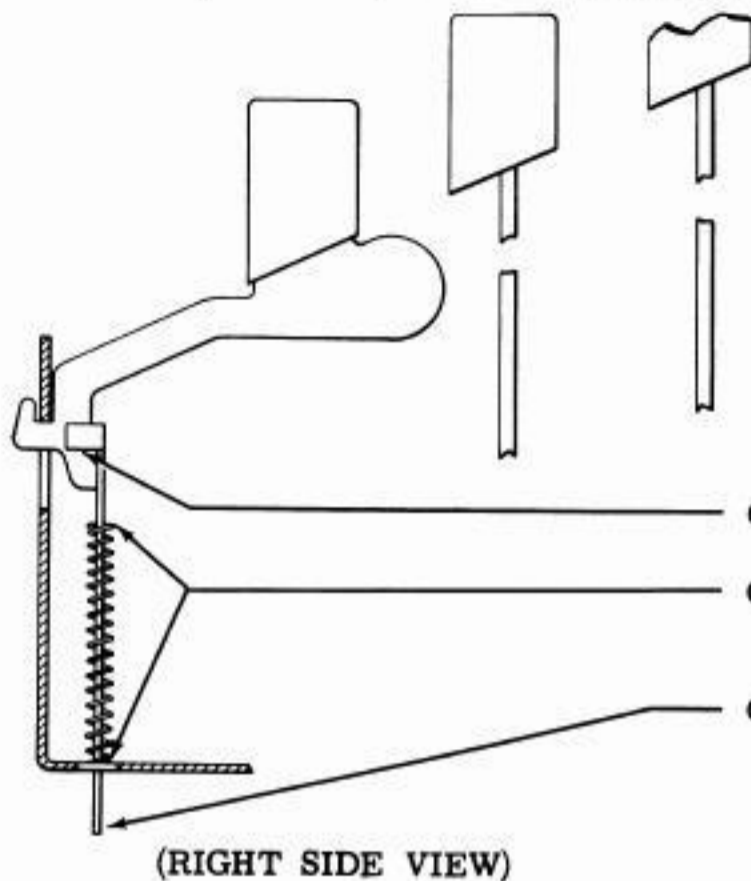
2.02 Keylevers

2.03 Spacebar



(RIGHT SIDE VIEW)

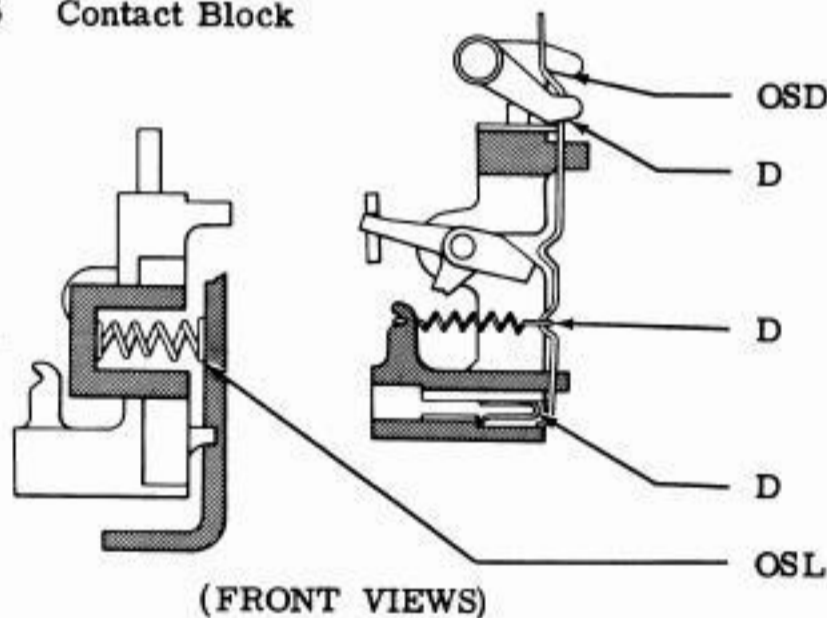
2.04 HERE IS, BREAK, and REPT Keylevers



- | | | |
|-----|------------------|----------------|
| OSL | Contact Surfaces | Keylevers |
| OSL | Seat (Each End) | Springs (3) |
| OSL | Contact Point | BREAK Keylever |

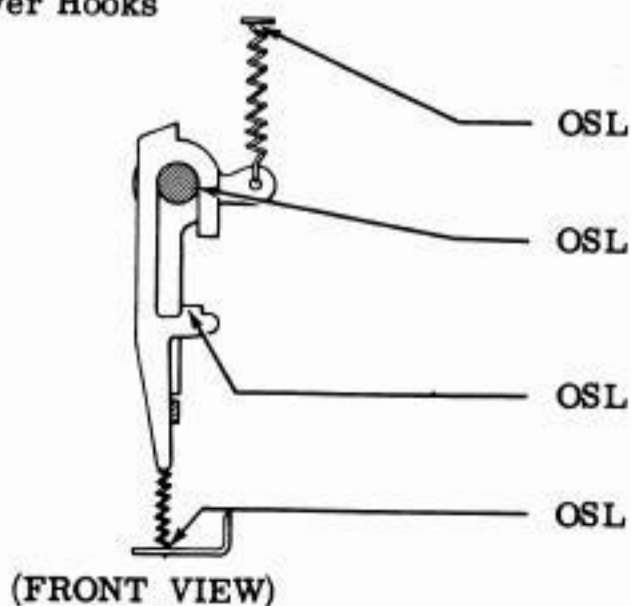
CAUTION: DO NOT CLEAN THE KEYBOARD CONTACT BLOCK WITH ALCOHOL, MINERAL SPIRITS, OR OTHER SOLVENTS.

2.05 Contact Block



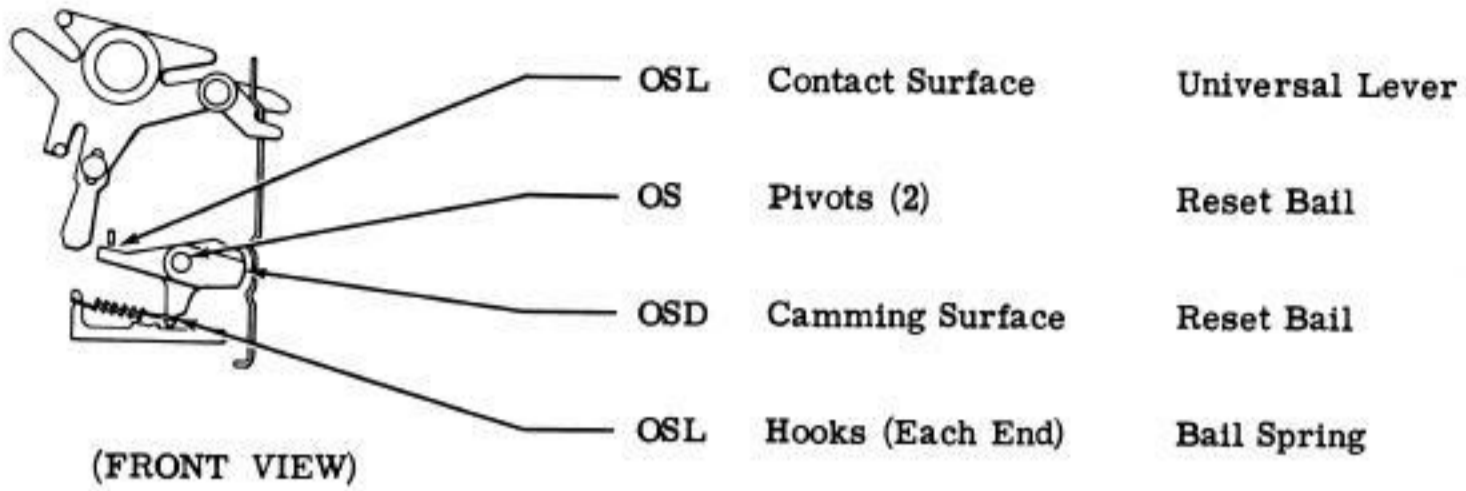
- | | | |
|-----|-------------------|-------------------|
| OSD | Engaging Surfaces | T-Levers (6) |
| D | Contact Surface | Contact Wires (6) |
| D | Springs (6) | Contact Wires |
| D | Contact Surface | Contact Wires (6) |
| OSL | Seat (Each End) | Springs (2) |

2.06 Latchlever Hooks

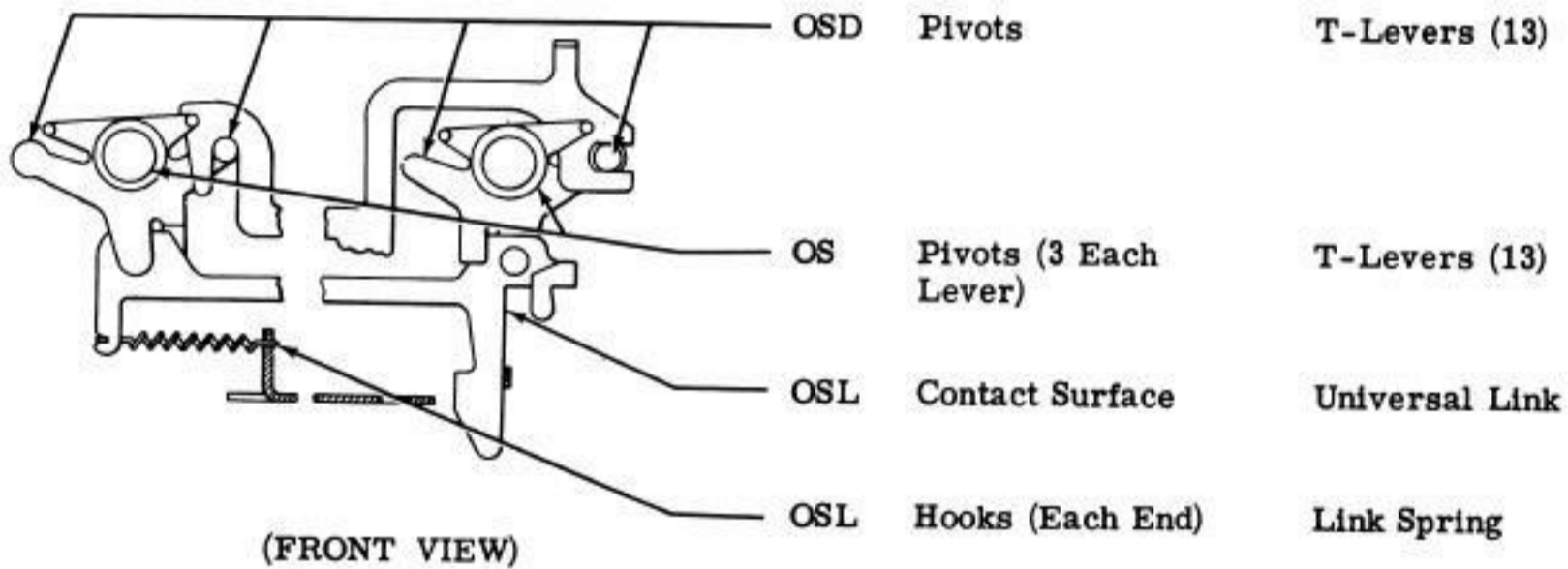


- | | | |
|-----|------------------|--------------------------------|
| OSL | Hooks (Each End) | Latchlever Spring |
| OSL | Pivot | Latchlever and Nonrepeat Lever |
| OSL | Contact Surface | Latchlever |
| OSL | Hooks (Each End) | Nonrepeat Spring |

2.07 Reset Ball



2.08 Codebar Mechanism



2.09 Universal Lever

