

32 COVER
LUBRICATION

CONTENTS	PAGE
1. GENERAL	1
2. COVER	2
ASR Cover	2
Lid	2

LUBRICATION INTERVAL
(Based on 5-Day Week)

Daily Operation of Teletypewriter			
Speed (wpm)	0-8 hrs	8-16 hrs	16-24 hrs
60	39 wks	26 wks	13 wks
100	26 wks	13 wks	6 wks
All Speeds*	3 wks	2 wks	1 wk

1. GENERAL

1.01 This section provides lubrication requirements for Model 32 teletypewriter covers. It is reissued to make corrections, and change the lubrication interval. Marginal arrows indicate change. To remove the cover from the set, refer to Section 574-160-702TC.

1.02 Lubrication requirements are the same for all covers (ASR, KSR, and RO). The specific lubrication points are indicated on a line drawing keyed to a photograph.

1.03 Lubricate all covers at the following intervals:

CAUTION: DISCONNECT POWER BEFORE APPLYING ANY LUBRICANT. DO NOT USE SOLVENTS TO CLEAN PLASTIC PARTS OR PROTECTIVE FINISHES. USE A SOFT DRY CLOTH. IF NECESSARY, USE A SOFT DAMP CLOTH WITH MILD DETERGENT, THEN RINSE AND BUFF WITH A SOFT DRY CLOTH.

*Newly installed equipment

Note 1: Reduce lubricating intervals 15 percent for a 6-day week and 30 percent for a 7-day week.

Note 2: Sets with typing unit serial numbers below 144,000, reduce lubricating intervals 33 percent. Those with serial numbers above 144,000, use above chart.

Note 3: For units operating at speeds between those shown, use slower of two speeds.

1.04 Reference to views are made facing the set in its normal operating position.

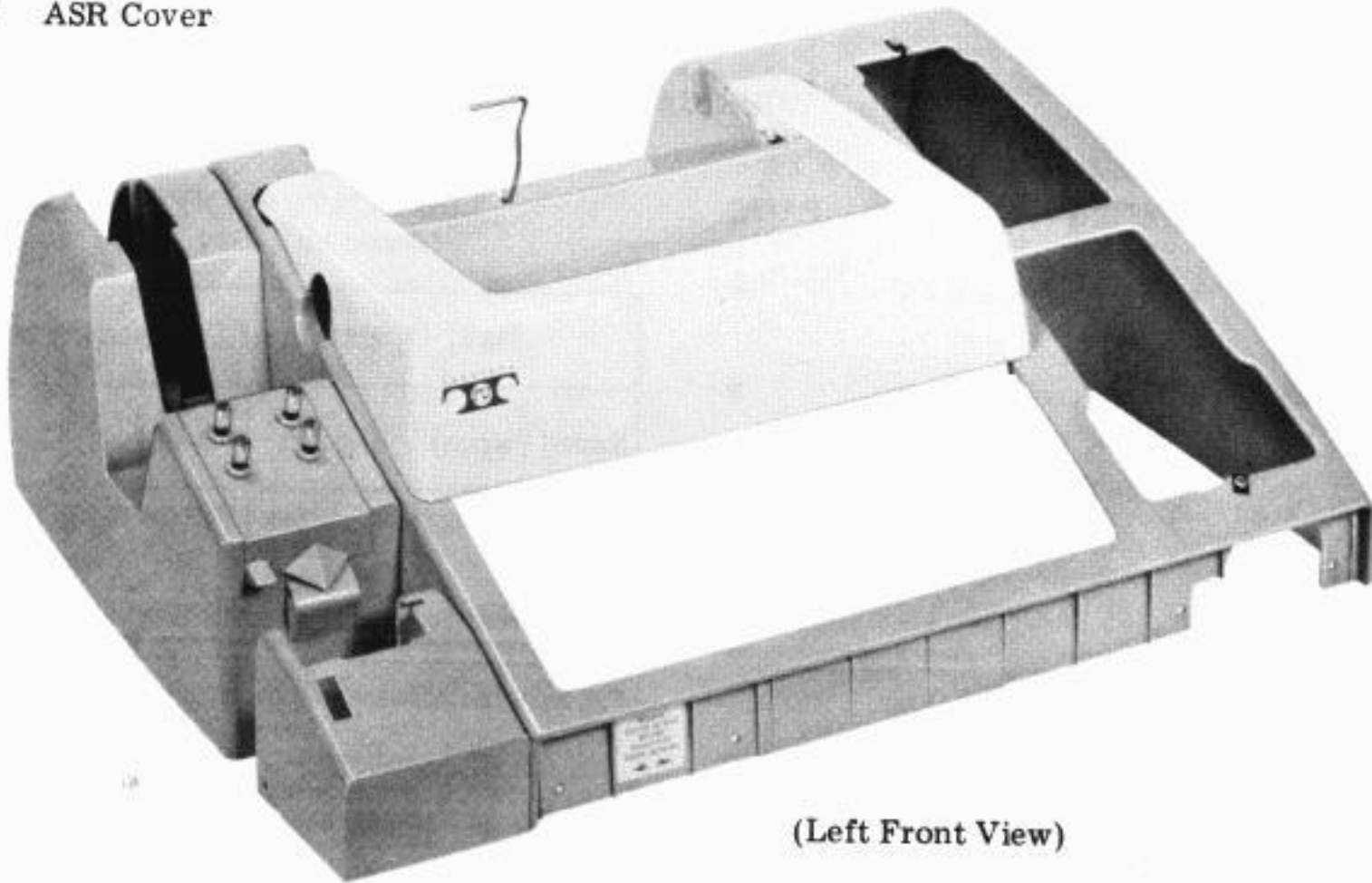
1.05 The following symbols, and their meaning, apply to the lubrication points in 2.02.

Note: The amount of lubricant applied is at the discretion of maintenance personnel.

<u>SYMBOL</u>	<u>MEANING</u>
D	Dry — no lubricant permitted
O	Oil — apply TKS7471 oil.

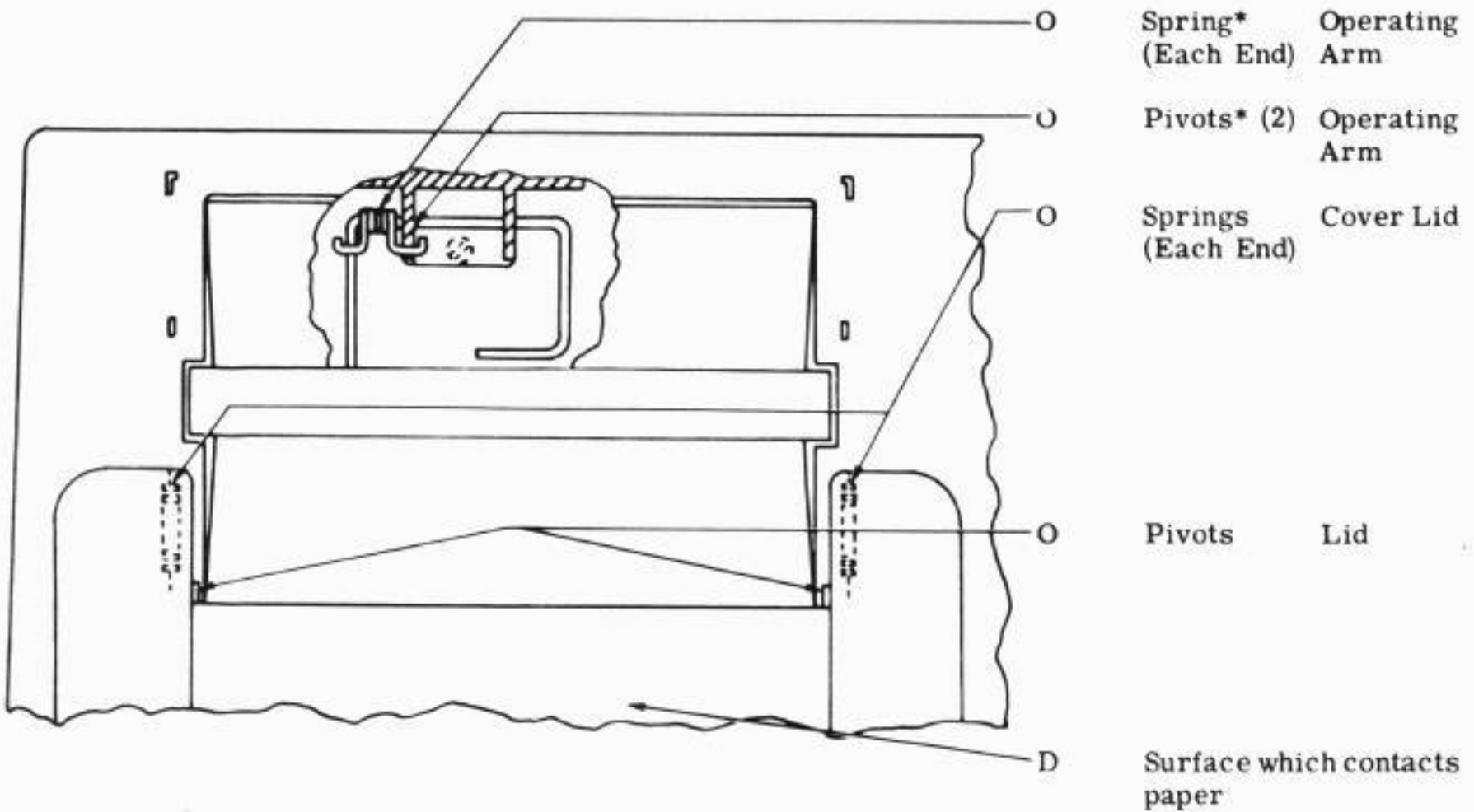
2. COVER

2.01 ASR Cover



(Left Front View)

2.02 Lid



(Top View)

*For covers equipped with TP181441 switch only.