

CHANGES IN BULLETIN 141 (ISSUE 3)
DESCRIPTION AND ADJUSTMENTS
TRANSMITTER-DISTRIBUTOR (MODEL 14)

The following changes apply to the Model 14 Transmitter-Distributor equipped with the 105721 tape rod.

Page 10

Tight-Tape Stop or Auto-Stop Mechanism

Change the second sentence to read as follows: There are four types of this mechanism in use, however.

Page 11

Add the following item after fourth paragraph of Item C:

Item D: Adjust the Type Shown in Figure 24-C to Meet the Following Requirements:

- (a) The loop of the tape stop rod should be positioned to the right and down (when viewing the machine from the transmitter end) so that it will make an angle of approximately 45 degrees with the horizontal plane. (Figure 24-C.) Adjust by means of the set screw and lock nut in the tape rod clamp.
- (b) When the contacts are held closed by the contact operating post, the distance between the top surface of the tape transmitter top plate and the middle of the bend in the tape stop rod should be 1-3/4" plus or minus 1/16". (Figure 24-D.) The tight-tape stop shaft should protrude approximately 1/16" beyond the tape rod clamp.
- (c) For adjustments of clearances between contact points and between the right contact spring insulator and the tight-tape stop mechanism bracket, refer to paragraph (b) of Item A.

* * *

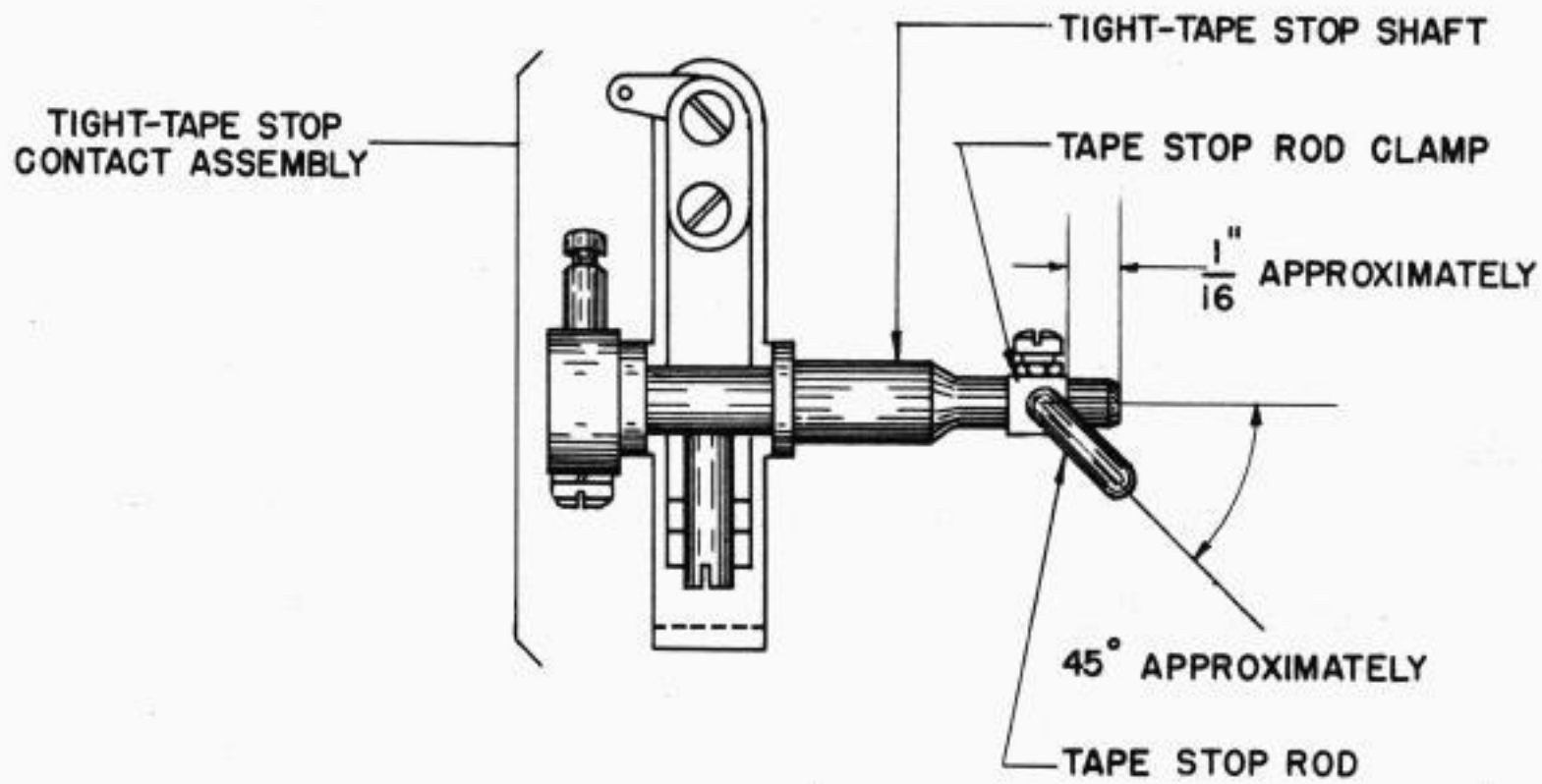


FIGURE 24 C

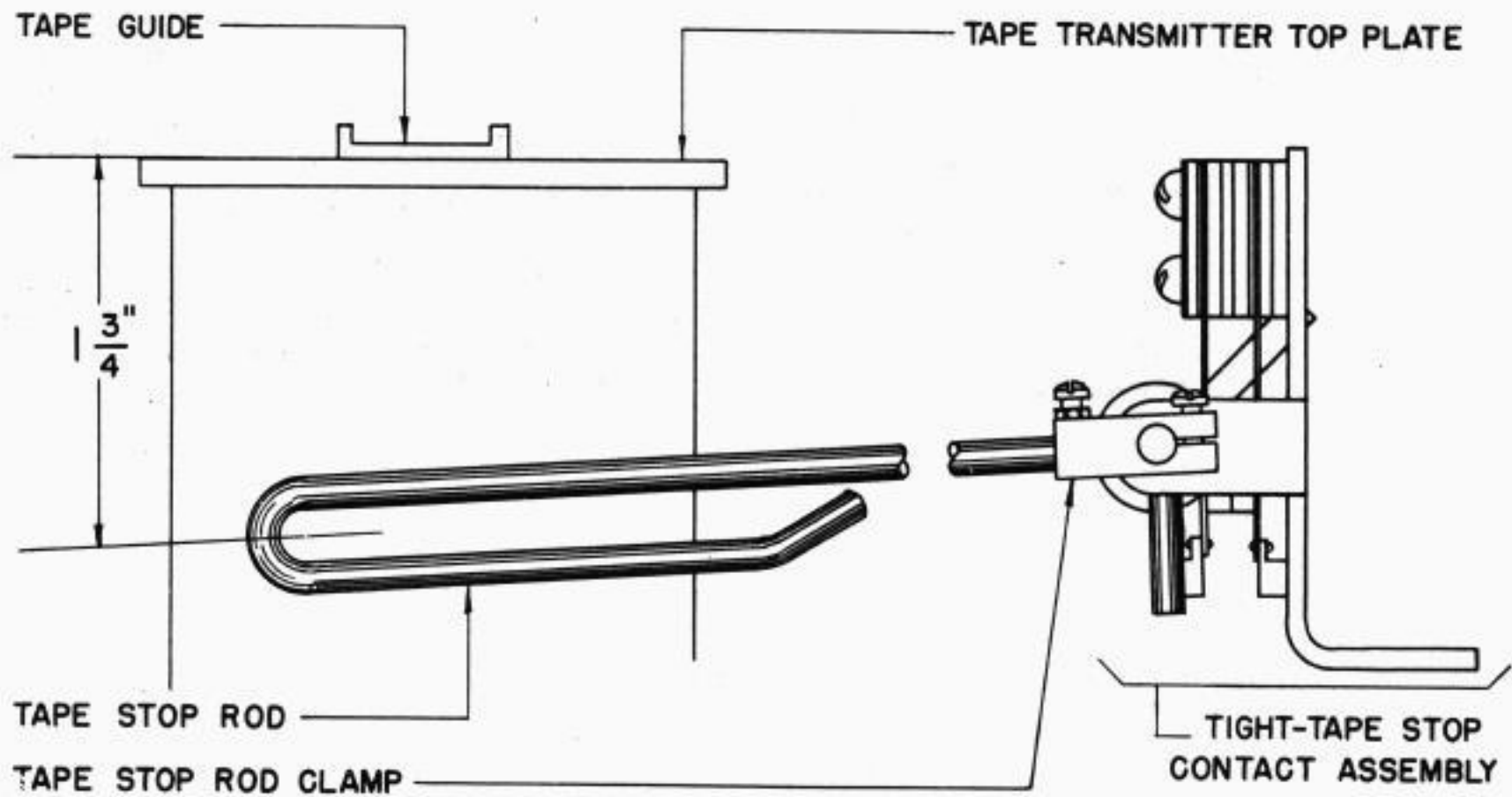


FIGURE 24 D