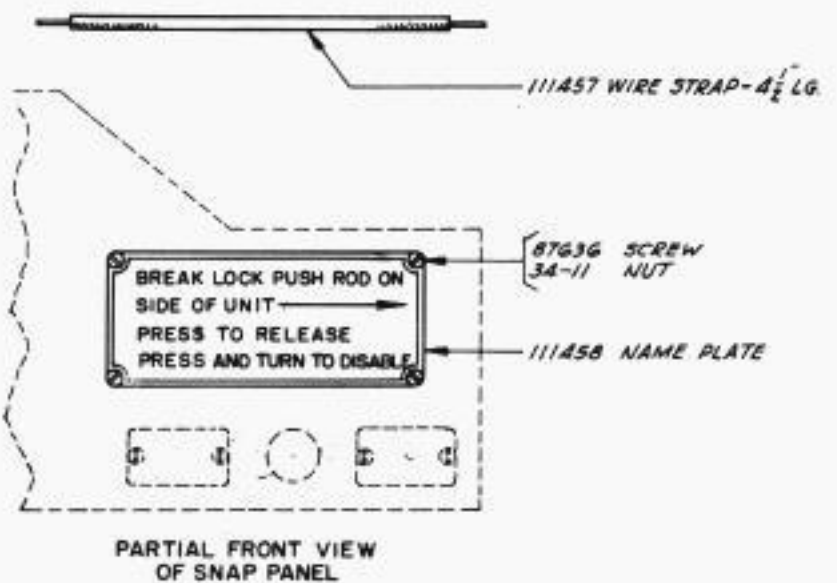
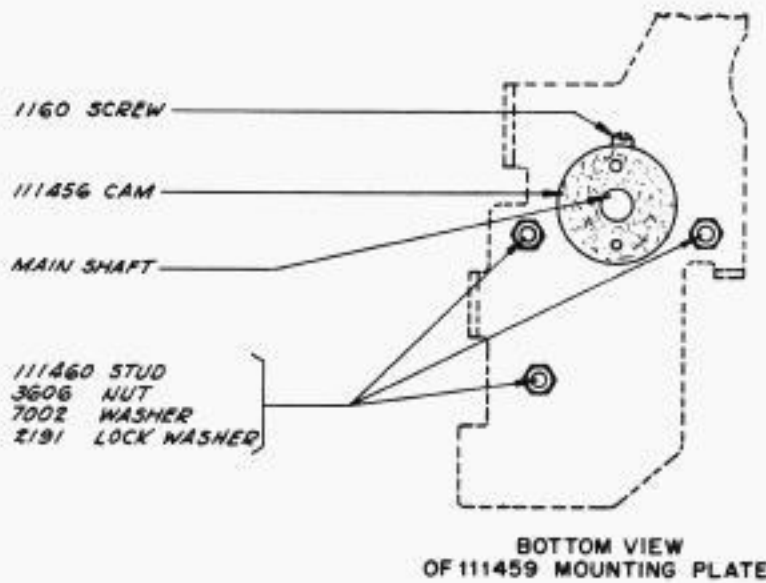
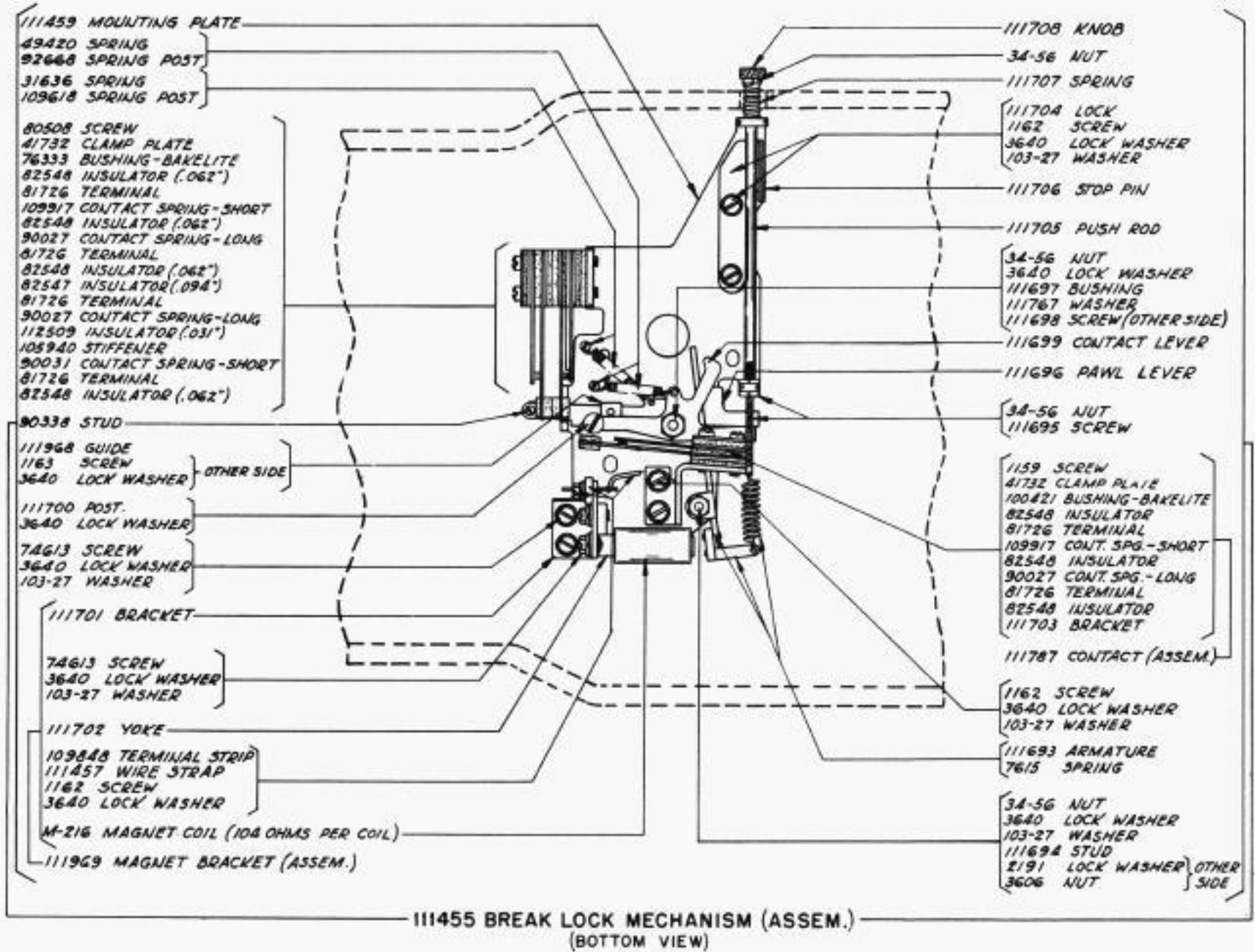


CHANGES AND ADDITIONS  
BULLETIN NO. 1041, ISSUE 4; 1095, ISSUE 1; 1109, ISSUE 1; AND 1117, ISSUE 2.  
PARTS-TRANSMITTER DISTRIBUTOR

THIS CORRECTION SHEET COVERS PARTS ORDERING INFORMATION FOR THE 111453 SET OF PARTS WHICH IS INCLUDED IN THE XD99 TRANSMITTER DISTRIBUTOR AND MAY BE ADDED TO OTHER MODEL 14 TRANSMITTER DISTRIBUTORS TO PROVIDE THE "BREAK LOCK" FEATURE.



111453 BREAK LOCK MECHANISM SET OF PARTS  
(INCLUDES ALL PARTS LISTED ON THIS PAGE)