

ADDITIONS TO BULLETINS

- 170, Issue 1, Adjustments - Single and Multiple Transmitter Distributor and Base  
175, Issue 1, Adjustments - Single Unit Transmitter Distributor and Base  
185, Issue 1, Description and Adjustments - Multiple Transmitter Distributor and Base

To include a preliminary adjustment for the transmitting contact springs and to include an adjustment to provide more margin in the operation of the tape-out mechanism.

PAGE 2, Bulletin 170  
PAGE 2, Bulletin 175  
PAGE 6, Bulletin 185

Add the following preliminary adjustment immediately following "ARMATURE SPRING TENSION":

TRANSMITTING CONTACT SPRING PRESSURE (Preliminary)

With any contact lever on the high part of its cam, it should require 7 ozs. to just start the contact spring moving away from its contact lever when the push end of an 8 oz. scale is applied to the long contact spring just above the contact point.

Adjust as follows:

NOTE: If the unit has contact stop screws, back them off all the way.

- (a) Rotate the cam sleeve until the contact lever, associated with the contact spring, is on the low part of its cam. Turn the unit so as to face the contacts.
- (b) To increase the contact spring pressure, insert a 72003 contact spring bender, with its projection downward, from the right-hand side between the contact bracket and the stiffener of the long contact spring. Turn the spring bender in a clockwise direction to bend the long contact spring and its stiffener.
- (c) To decrease the contact spring pressure, insert the 72003 contact spring bender, with its projection upward, from the right-hand side between the long and short contact springs and turn it clockwise to bend the long contact spring and stiffener.

Change the title "TRANSMITTING CONTACT SPRING PRESSURE" to read "TRANSMITTING CONTACT SPRING PRESSURE FINAL".

Change the last sentence to read as follows:

"If necessary, refine the contact spring pressure by rebending the longer contact spring as described above to meet this final requirement. Recheck the transmitting contact gap adjustment."

PAGE 4, Bulletin 170  
PAGE 4, Bulletin 175  
PAGE 8, Bulletin 185

NOTE: The multiple transmitter distributor (MXD) units should operate satisfactorily when adjusted as specified in the adjustment bulletin. However, in installations where it is necessary to run badly worn and creased tapes through the transmitter, it is recommended that the 97523 tape-out sensing lever be adjusted as follows in order to provide more margin in the operation of the tape-out mechanism.

Add the following adjustment immediately preceding "TOP PLATE ADJUSTMENT":

#### TAPE-OUT SENSING LEVER ADJUSTMENT

NOTE: It is recommended that two 116799 bending tools be used to facilitate this adjustment.

- (a) Unhook the release bar spring from the release bar. Remove the four screws which hold the top plate and the shims from under each corner of the top plate. Move the release bar out of the way and slide the top plate off the unit. Do not bend the tape sensing levers.
- (b) With the bending tools placed as shown in Figure 1, bend the horizontal leg of the tape-out sensing lever so that the top of its sensing pin is flush, within .005", with the top of the adjacent selector lever pin. Avoid damaging the pin with the bending tool.
- (c) With the transmitting cam sleeve in its stop position, place the bending tools on the lever as shown in Figure 2 and bend the vertical leg of the sensing lever to obtain .015" to .030" clearance as shown in Figure 3.
- (d) Replace the top plate and release bar spring by reversing the procedure outlined in Paragraph (a) above.
- (e) After the above adjustment has been applied, recheck the following adjustments:
  - (1) TAPE-OUT CONTACT LEVER LATCH ADJUSTMENT.
  - (2) TOP PLATE ADJUSTMENT
  - (3) SELECTOR LEVER BAIL ADJUSTMENT
  - (4) FEED PAWL LEVER ADJUSTMENT

\* \* \*

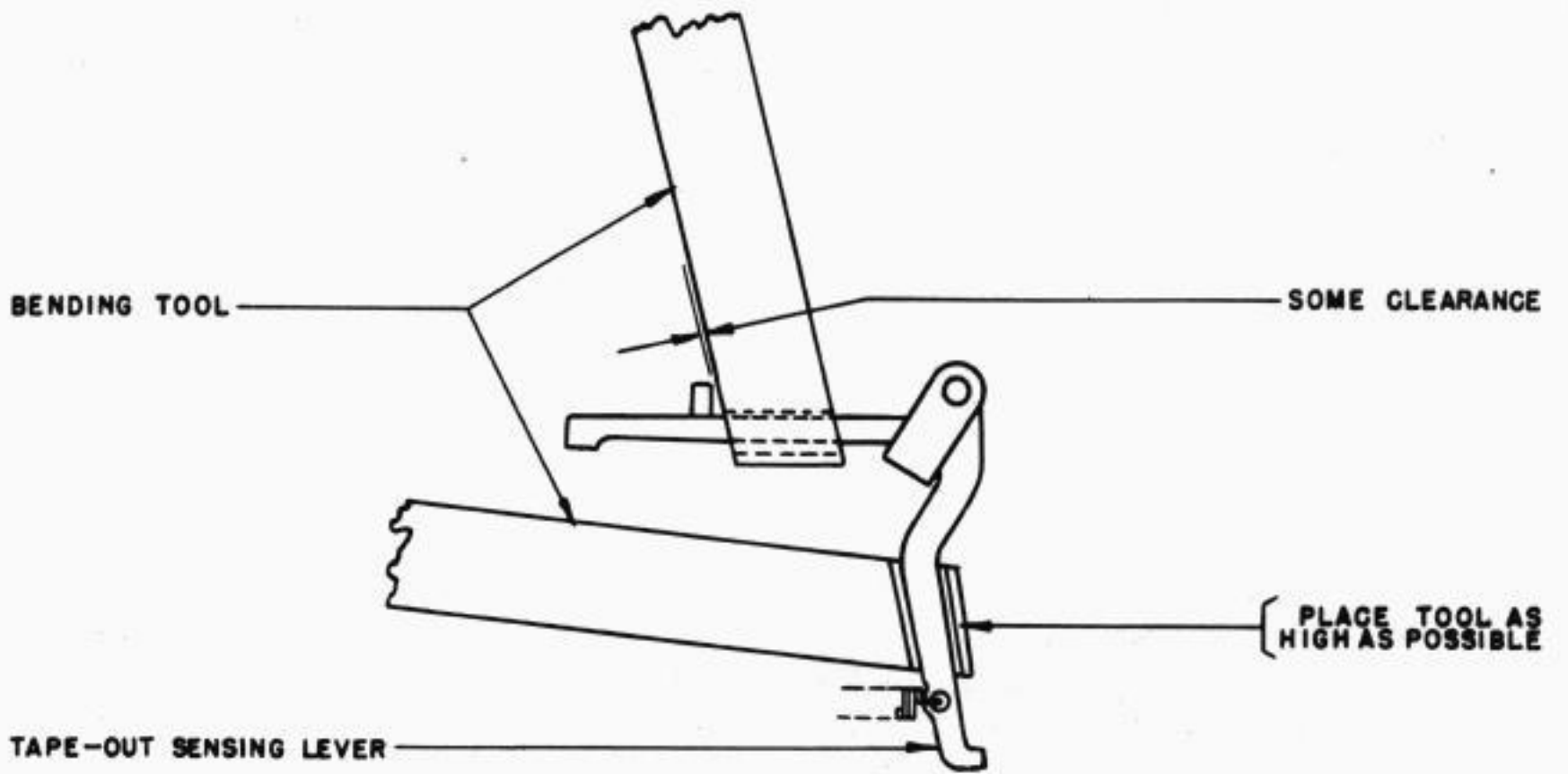


FIGURE 1

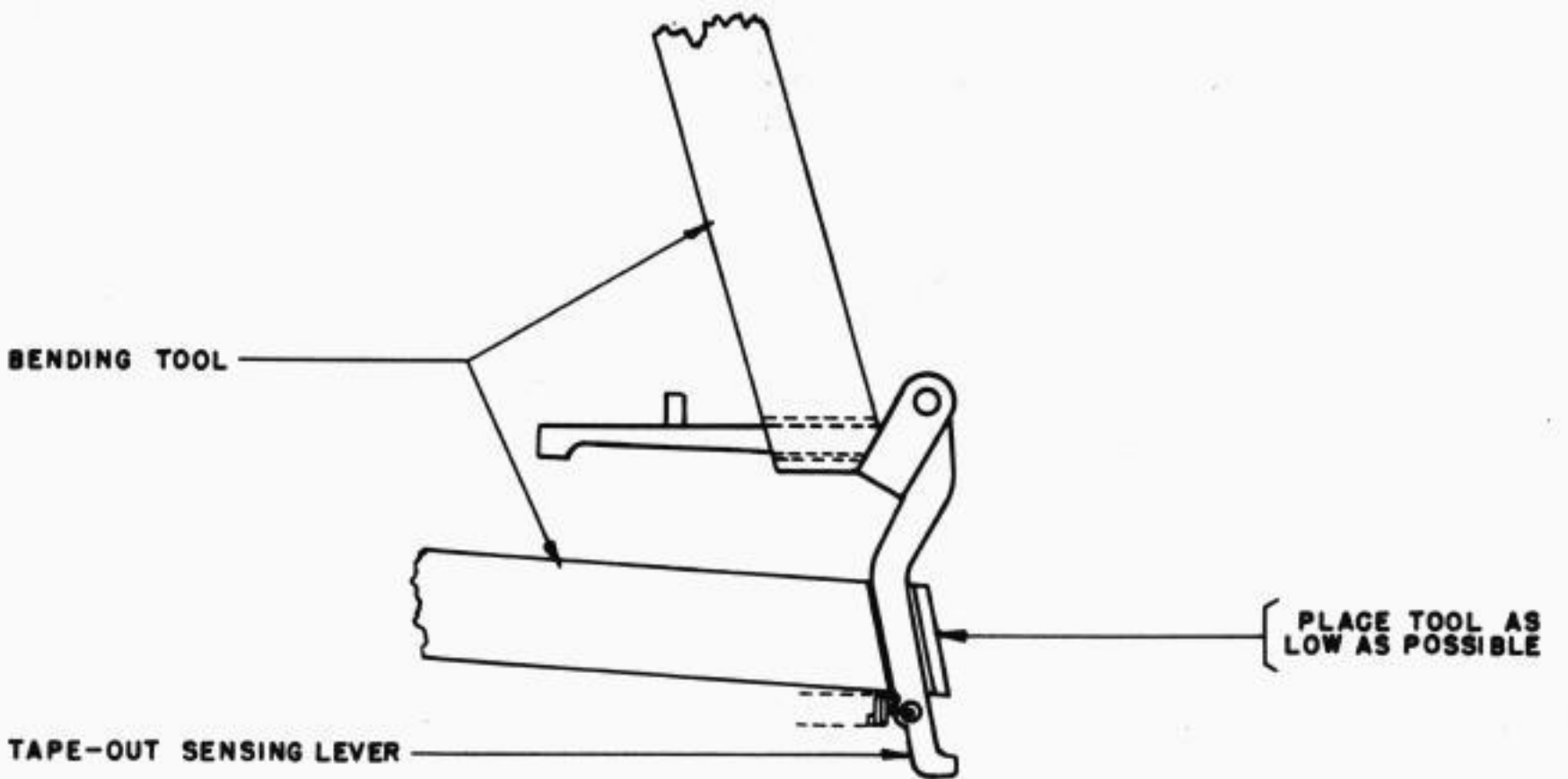


FIGURE 2

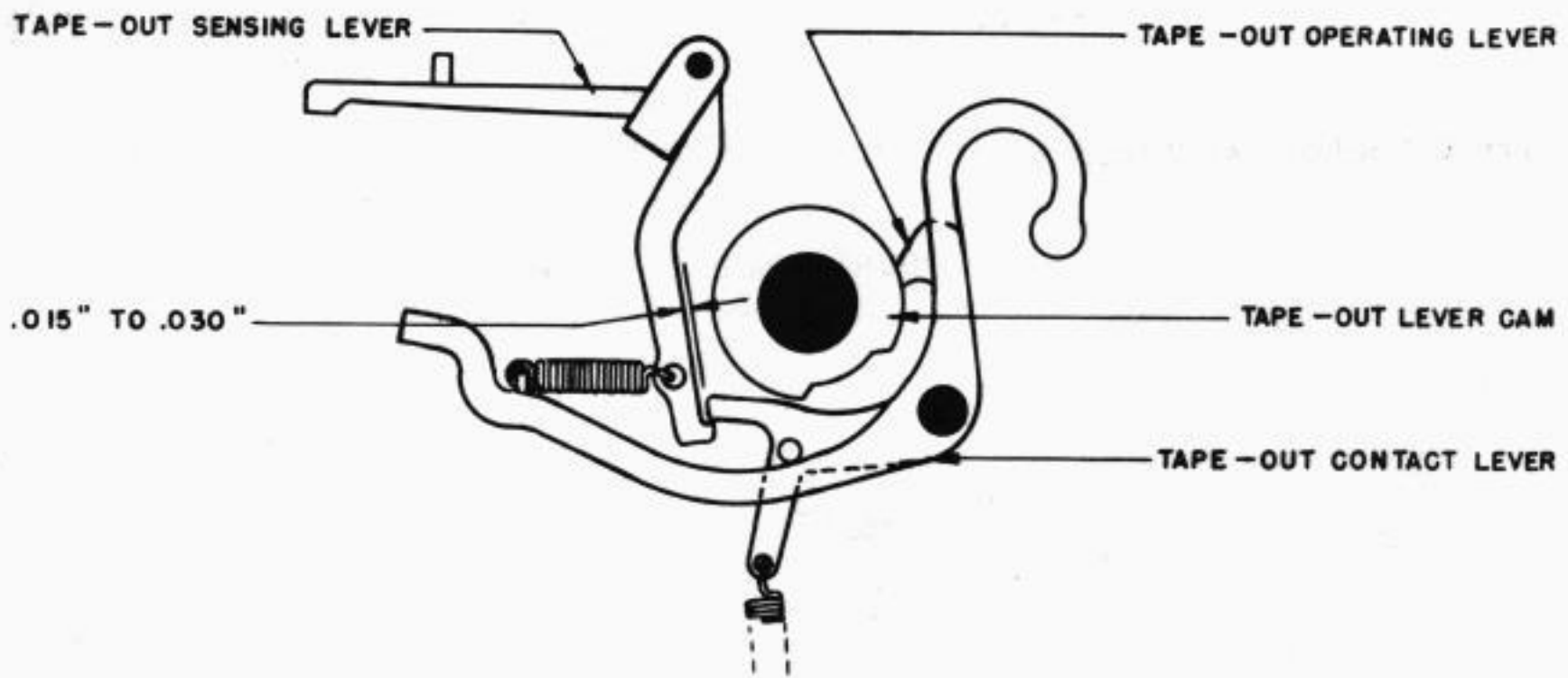


FIGURE 3