

CHANGES AND ADDITIONS TO MODEL 14 PARTS BULLETINS

<u>Type Bar Tape Printer (FP)</u>	<u>Typing Reperforator (FPR)</u>	<u>Reperforator Transmitter (FRXD)</u>	<u>Non-Typing Selector (FS)</u>
1028B, Issue 2	1088B, Issue 2	1108B, Issue 2	1083B, Issue 1
1030B, Issue 2	1100B, Issue 2	1126B, Issue 1	1107B, Issue 1
1031B, Issue 3	1117B, Issue 2		

The 6972 typebar backstop assembly has been replaced by a 124535 typebar backstop (with .125" sirvene strip). See Figure 1. The new backstop is applicable at all operating speeds.

A 120553 friction disk assembly has been added to the main shaft assembly and is installed in the hollow of the main shaft gear. One of the 6746 screws and 2191 lock washers fastening the gear to the hub has been replaced by an 8543 screw which allows the button of the friction disk to mount in the hole in which the 8543 screw is used. The 72884 disk has been replaced by a 111686 disk. See Figure 2.

Two 72563 felt washers have been added to all cam sleeve assemblies used with holding type selectors. The 122754 (formerly 91265) cam sleeve assembly illustrated in Figure 3 shows the washers installed between the stop arm and armature lever cam and also between the armature lever cam and the locking lever cam. These washers are not a part of the cam sleeve assemblies and must be ordered separately.

A terminal block is now provided in place of a switch for changing the selector magnet coil connections from series to parallel and vice verse.

On Model 14 Typing Units the 97298 series - parallel switch assembly has been replaced by a 113702 terminal block assembly (with 5000 ohm resistor).

On Model 14 Typing Reperforators the 97298 series - parallel switch assembly has been replaced by a 113702 terminal block assembly (with 5000 ohm resistor) and the 106801 series - parallel switch assembly has been replaced by a 123913 terminal block assembly (with 5000 ohm and 1000 ohm resistors).

On Model 14 Reperforator Transmitters the 97298 series - parallel switch assembly has been replaced by a 123913 terminal block assembly (with 5000 ohm and 1000 ohm resistors).

On Model 14 Non-Typing Selectors the 101825 series - parallel switch assembly has been replaced by a 113702 terminal block assembly (with 5000 ohm resistor).

To standardize on a single type of selector post for all selector units the 8470 post, (.869" long) has been replaced by a 78164 post (.937" long).

For location of the following parts see 513EE, issued in conjunction with Bulletin 1031B.

To provide increased screw thread engagement the 125110 (33-9) screws used to mount the 91085 tape tension lever have been replaced by 125109 screws.

The 125119 (33-278) screw used to mount the 91083 latch has been replaced by a 103699 screw.

New and old style parts are interchangeable.

The following information applies only to the bulletins listed below:

Bulletin 1126B, Page 1

The 110381 cover plate has been replaced by a 117755 cover plate.

Bulletin 1108B, Page 1
Bulletin 1126B, Page 1

The 74026 spacer used with the 112626 (34-4) nut and 2669 lock washer has been replaced by an additional 112626 nut.

The 6746 screw and 2191 lock washer securing the 117755 cover plate have been replaced by a 76667 post.

Add 34432 washer and 112626 nut to the 78301 screw securing the gear guard.
Add 34432 washer to the 6810 screw securing the gear guard.

Bulletin 1108B, Page 7
Bulletin 1126B, Page 17

The 6799 screw which mounts the 102415 shift latch has been replaced by a 124223 screw having a shorter thread length.

Bulletin 1108B, Page 19
Bulletin 1126B, Page 18

The 102221 stripper springs have been replaced by 124661 stripper springs. Tension when measured shall be a minimum of 4 ozs.

New and old style parts are interchangeable.

* * *

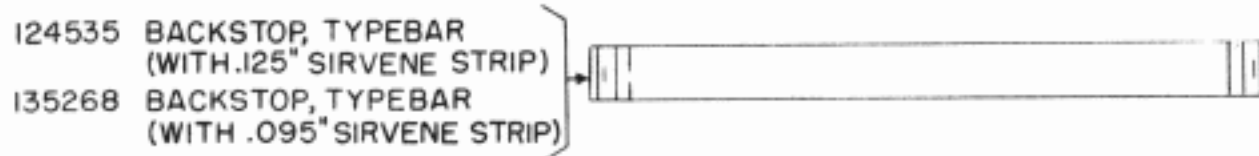


FIGURE 1

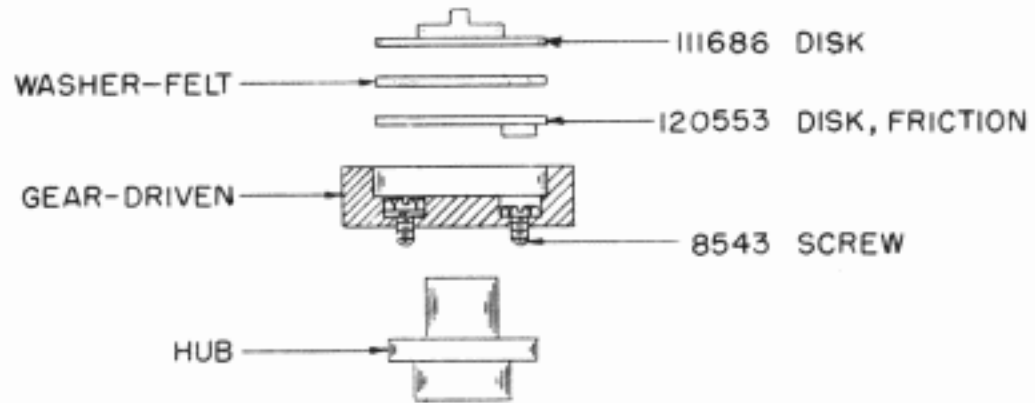


FIGURE 2

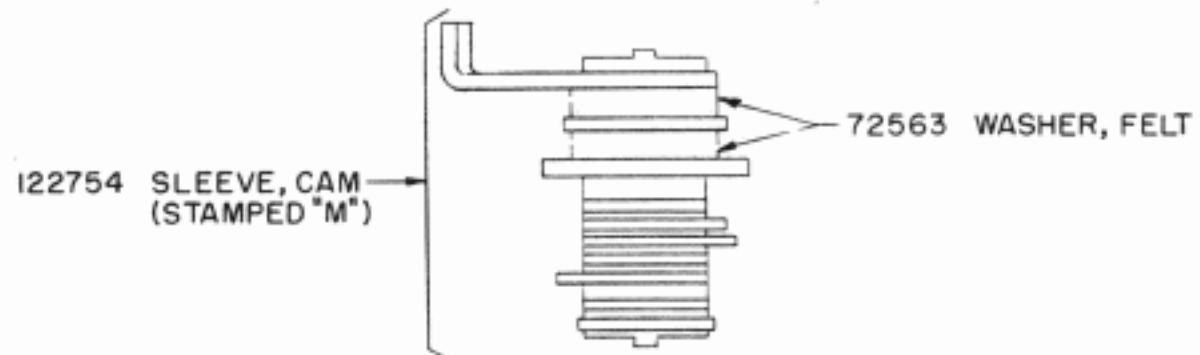
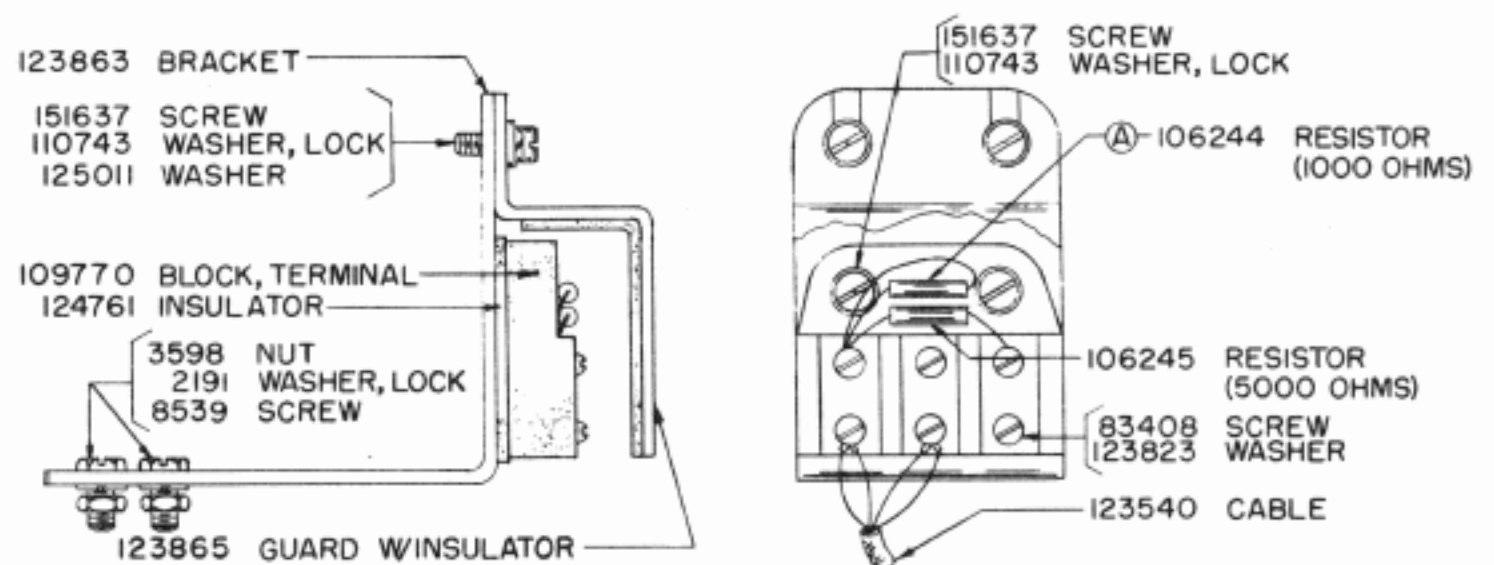


FIGURE 3



113702 BLOCK ASSEMBLY, TERMINAL (SERIES-PARALLEL)
(EXCLUDES PART MARKED Ⓐ)

123913 BLOCK ASSEMBLY, TERMINAL (SERIES-PARALLEL)
(INCLUDES PART MARKED Ⓐ)

FIGURE 4