

Bulletin No. 1014
Issue 3
June, 1927

See *EE Cor Sheets*

TELETYPE

PRINTING TELEGRAPH SYSTEMS

EE 152
163
197

TAPE TELETYPE PARTS (MODEL 11)

TELETYPE

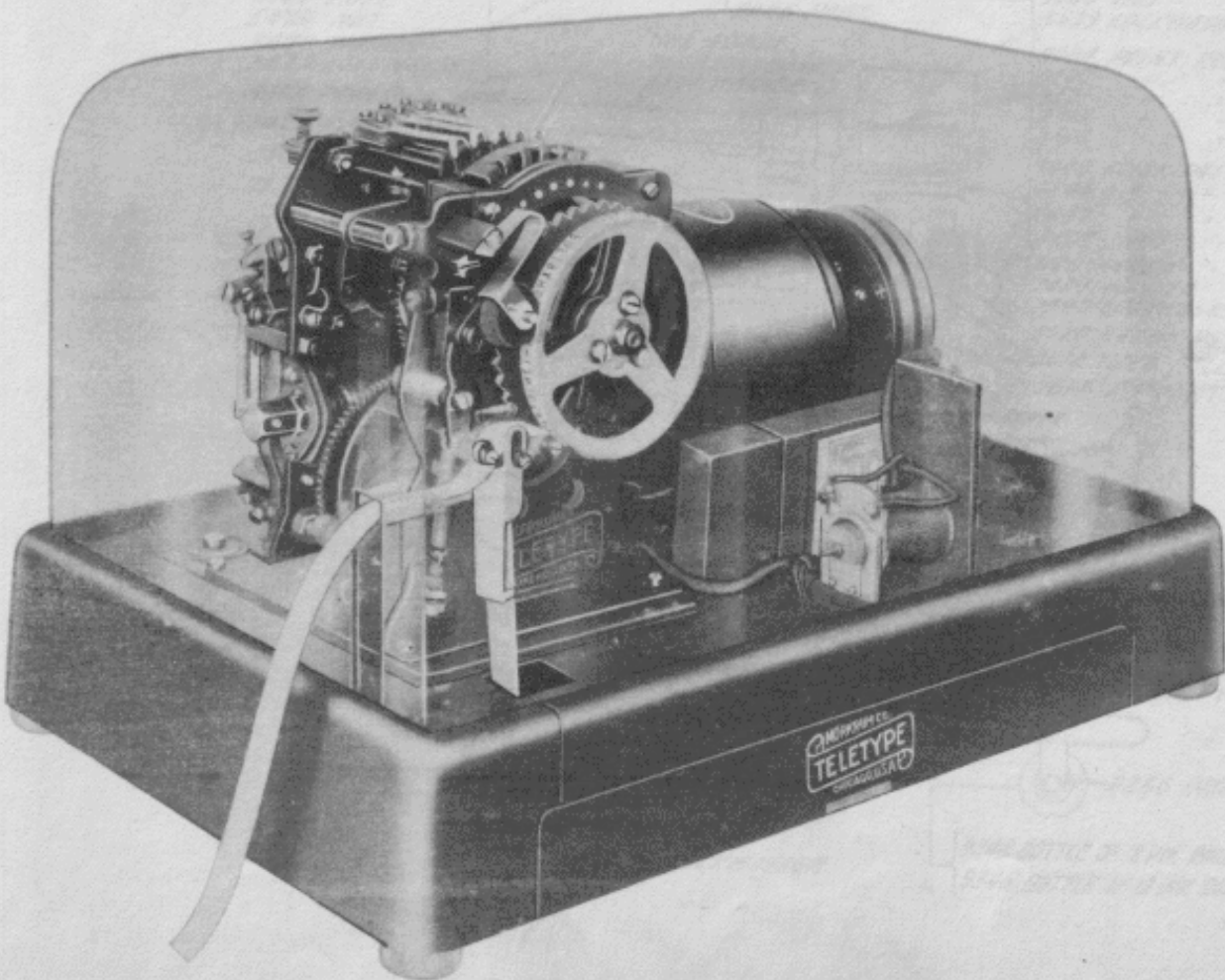
CORPORATION

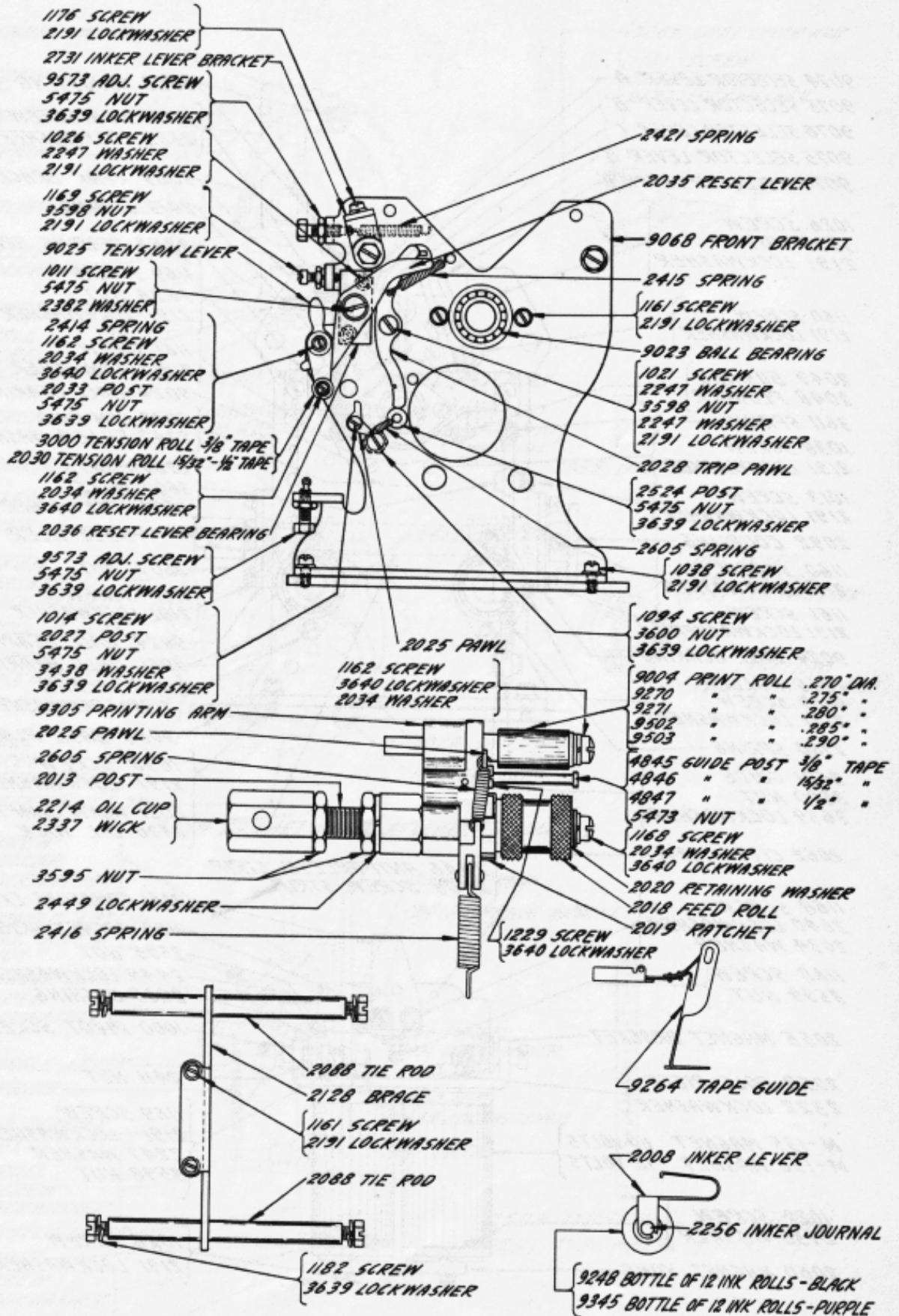
SUBSIDIARY OF

Western Electric Company

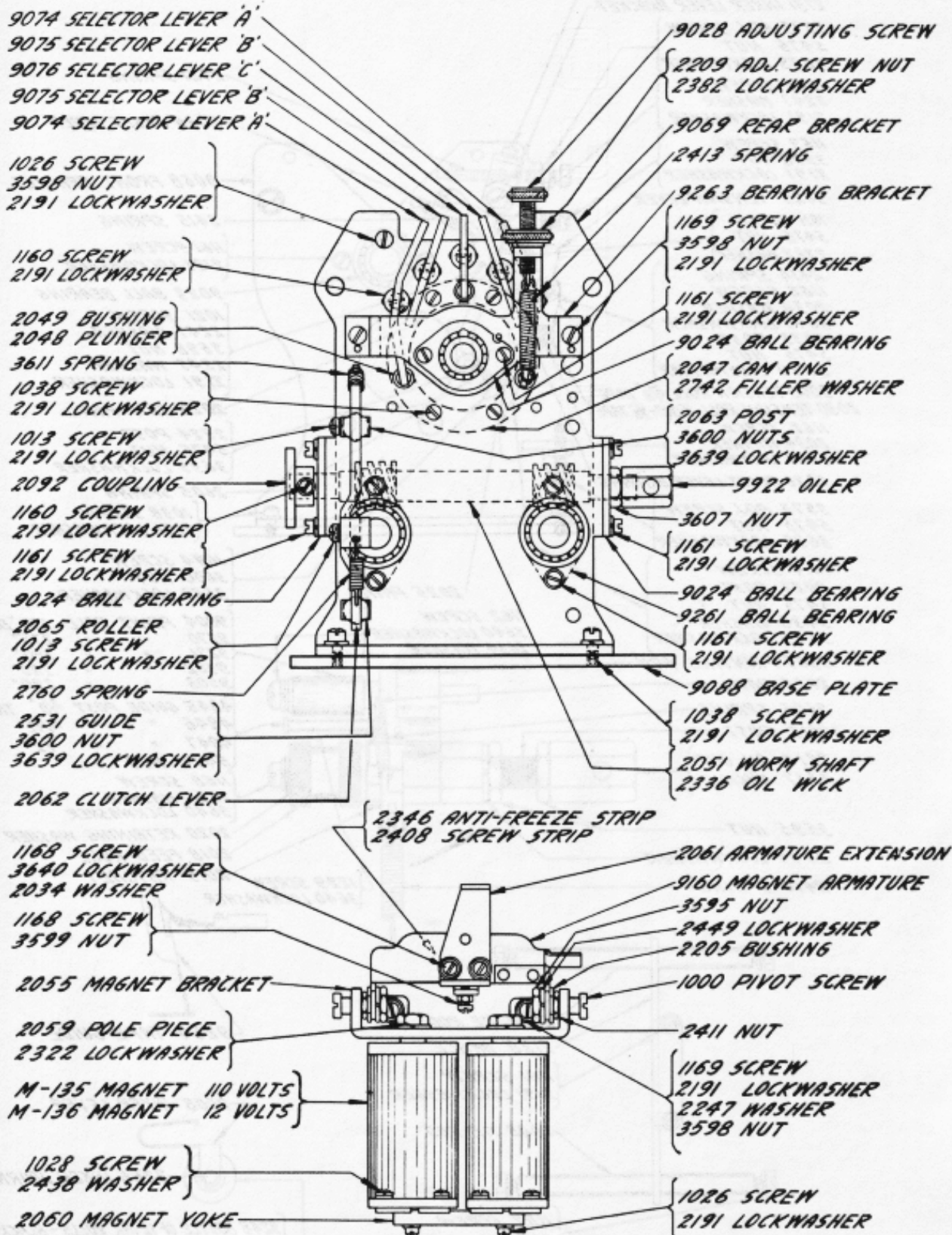
CHICAGO, U.S.A.

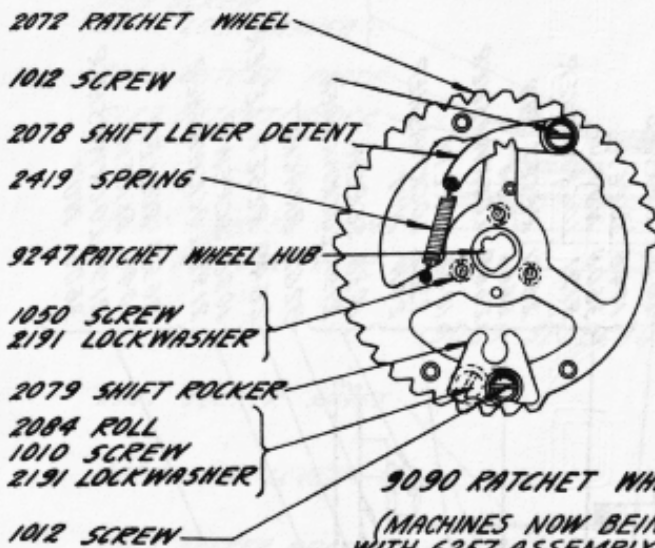
Printed in U.S.A.



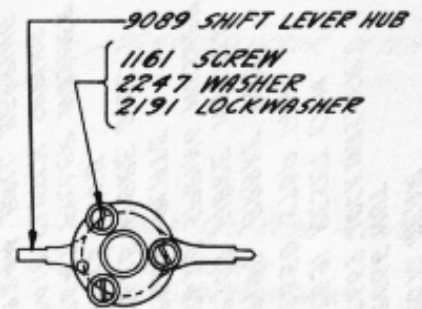


TAPE TELETYPE PARTS

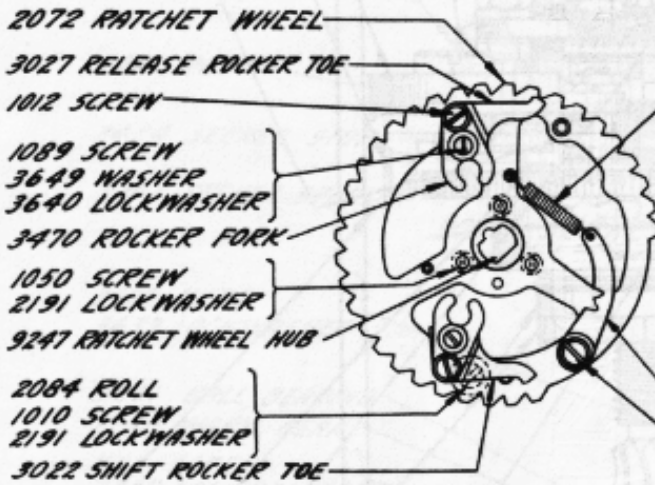




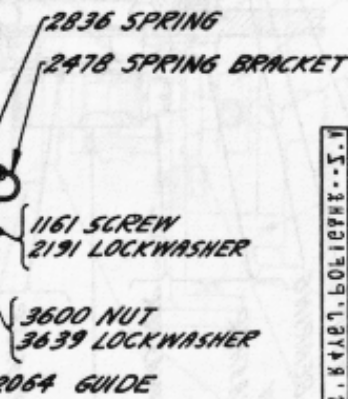
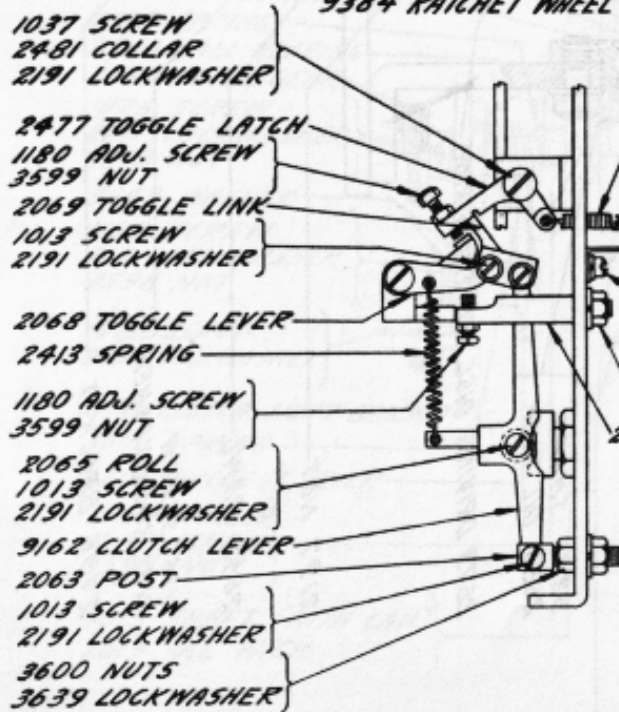
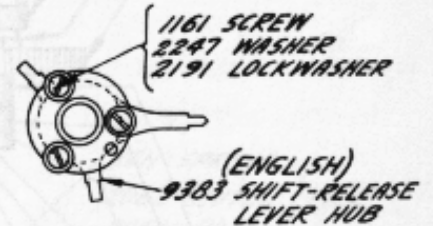
9090 RATCHET WHEEL ASSEMBLY
(MACHINES NOW BEING EQUIPPED
WITH 6257 ASSEMBLY - SEE PAGE 10)
AUGUST 1925.



2085 HUB SLEEVE



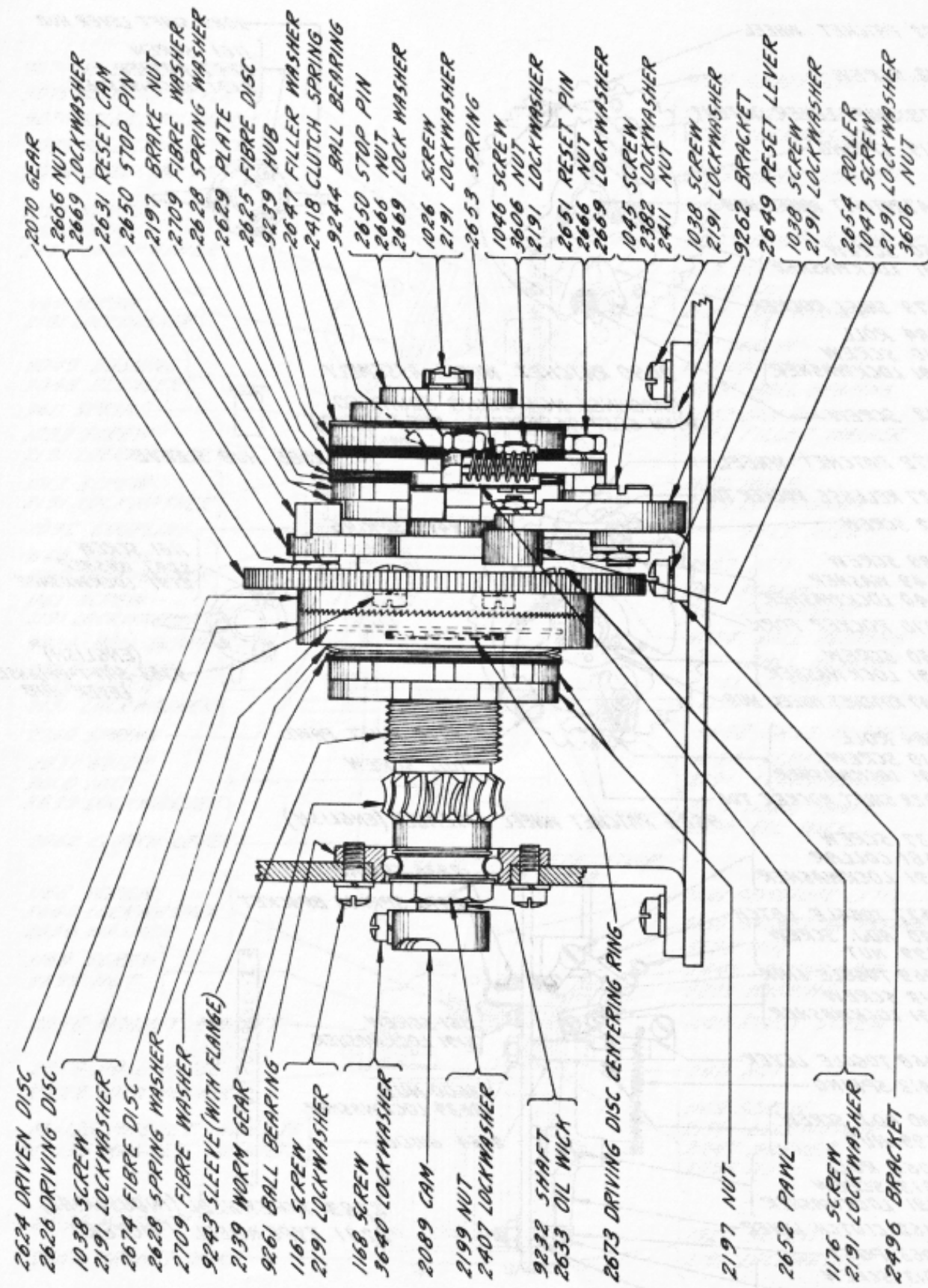
9384 RATCHET WHEEL ASSEMBLY (ENGLISH)

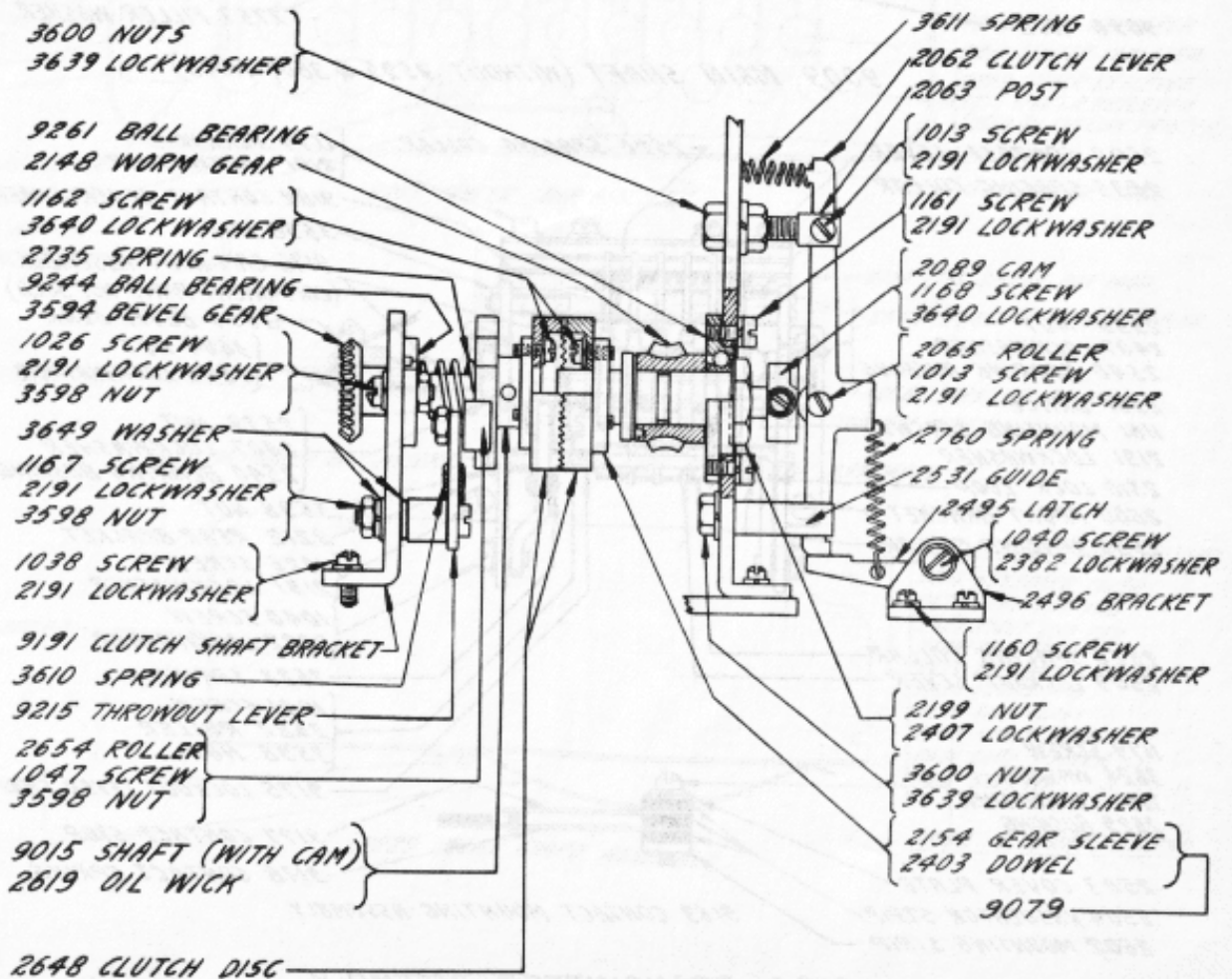
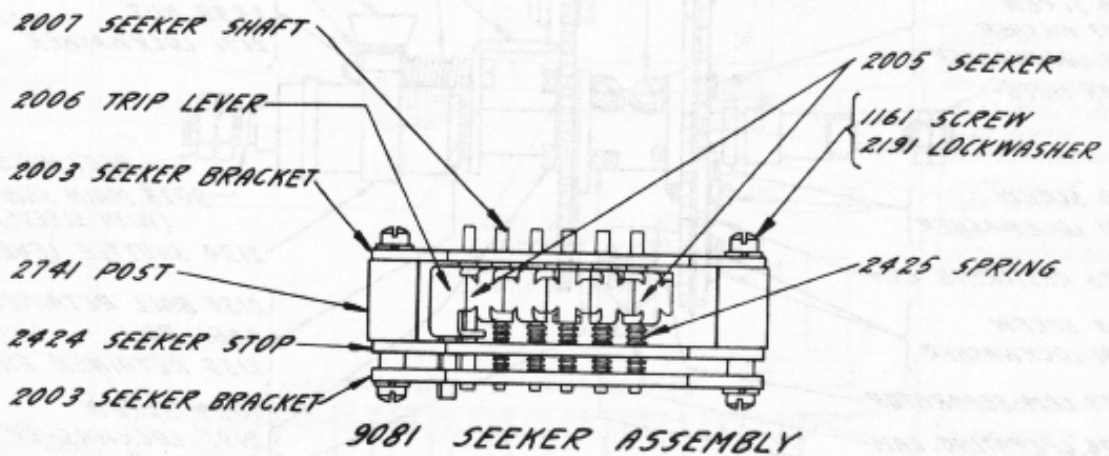
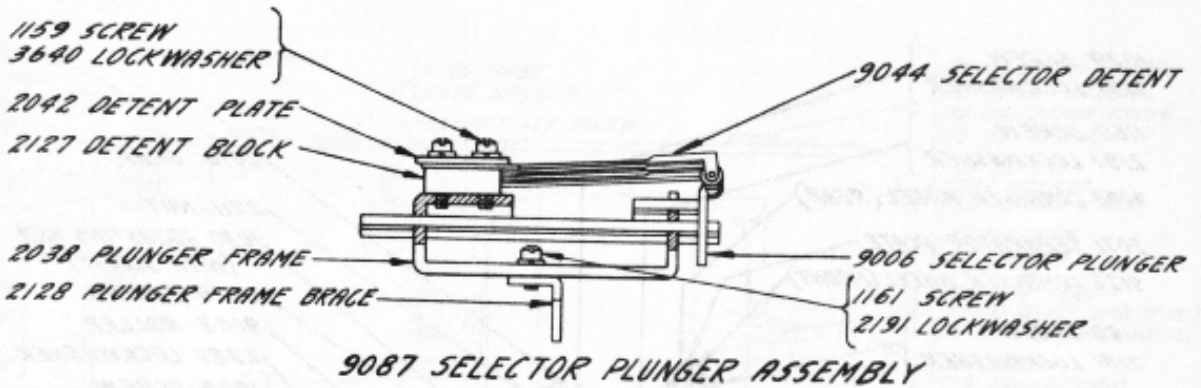


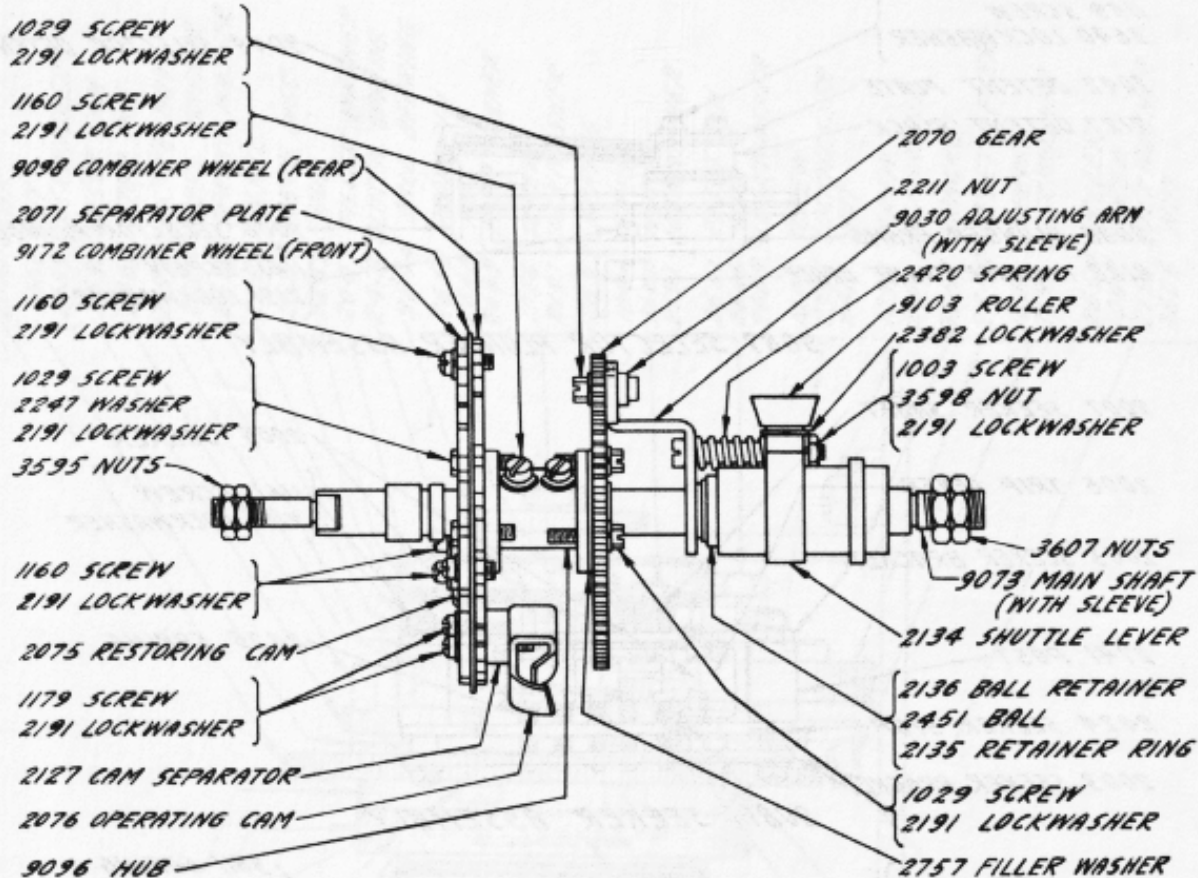
2583 TYPEWHEEL (INDUSTRIAL)
2281 TYPEWHEEL (TICKER)

1-3421701-1211

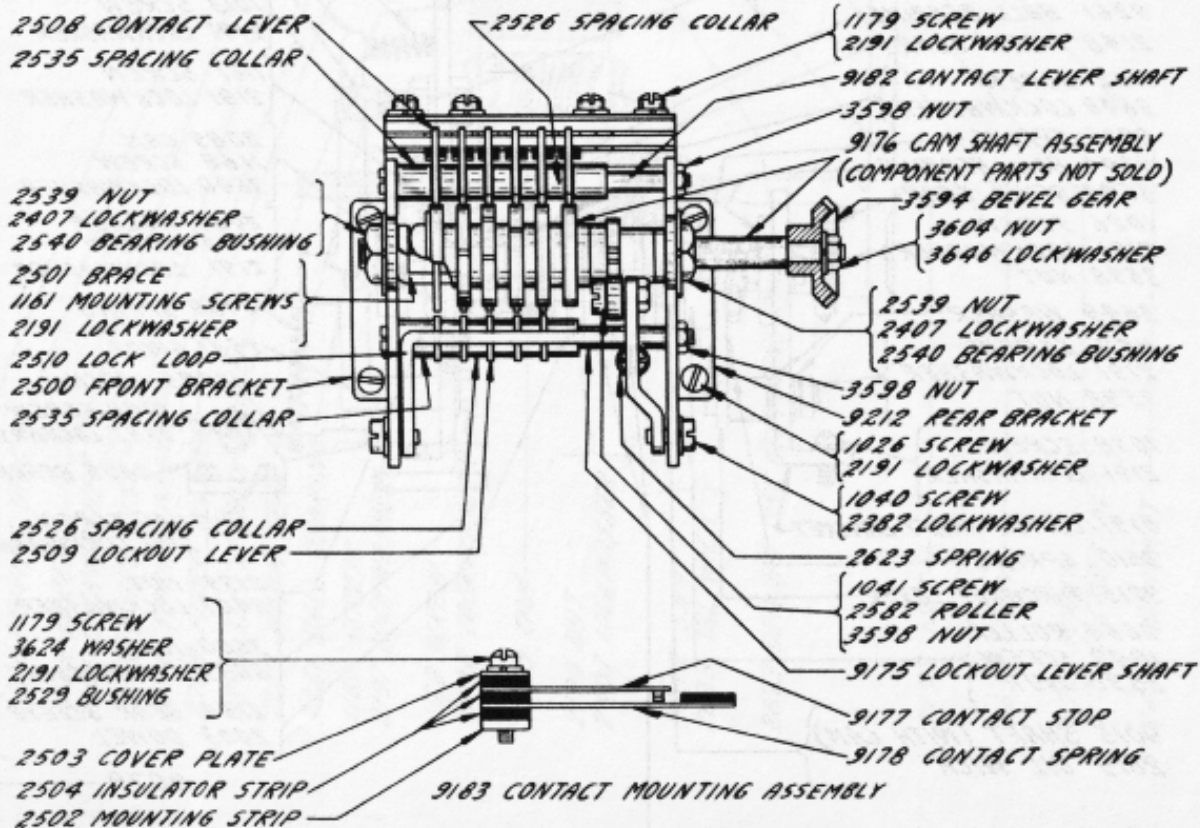
TAPE TELETYPE PARTS



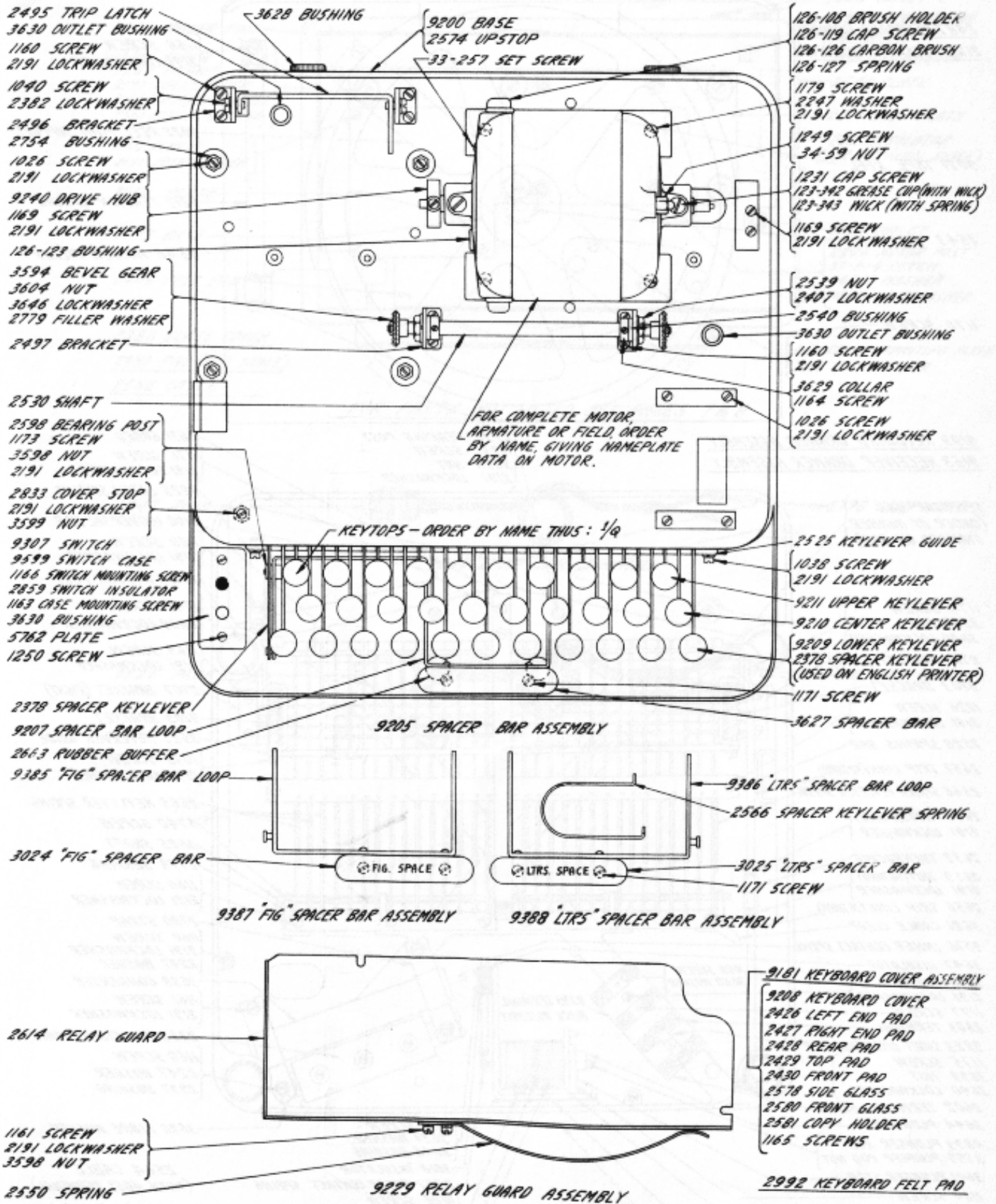




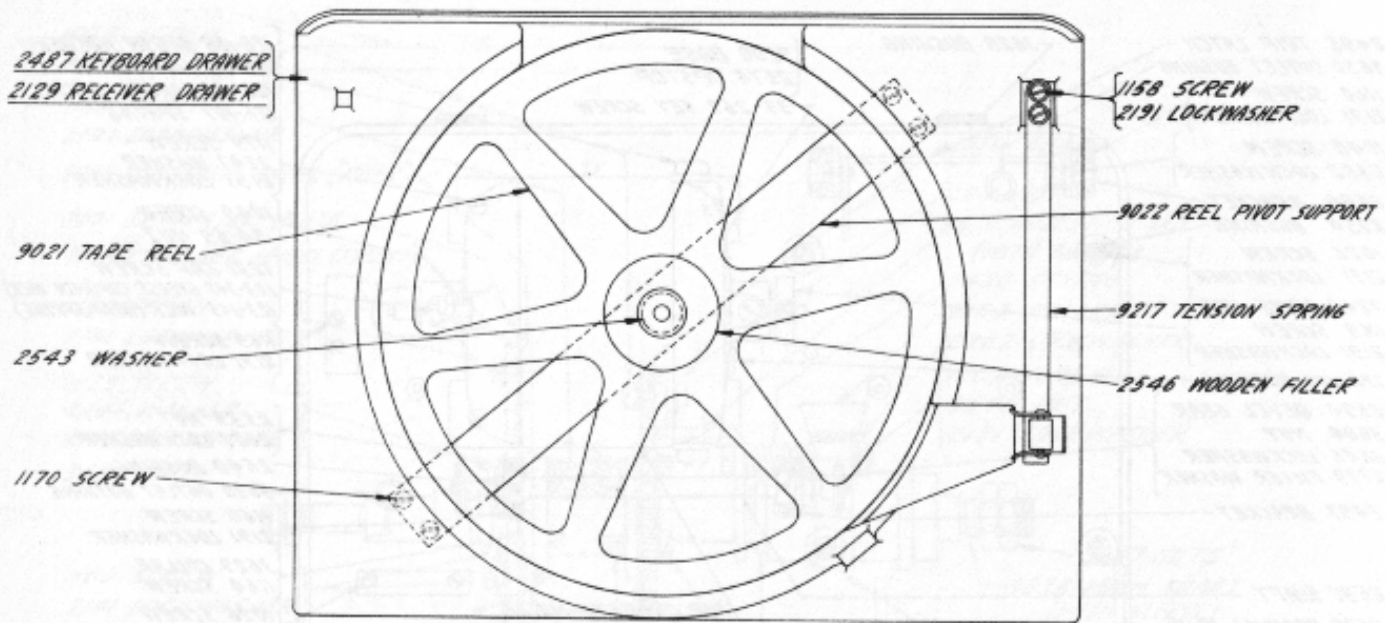
9009 MAIN SHAFT (WITHOUT 3595 & 3607 NUTS)



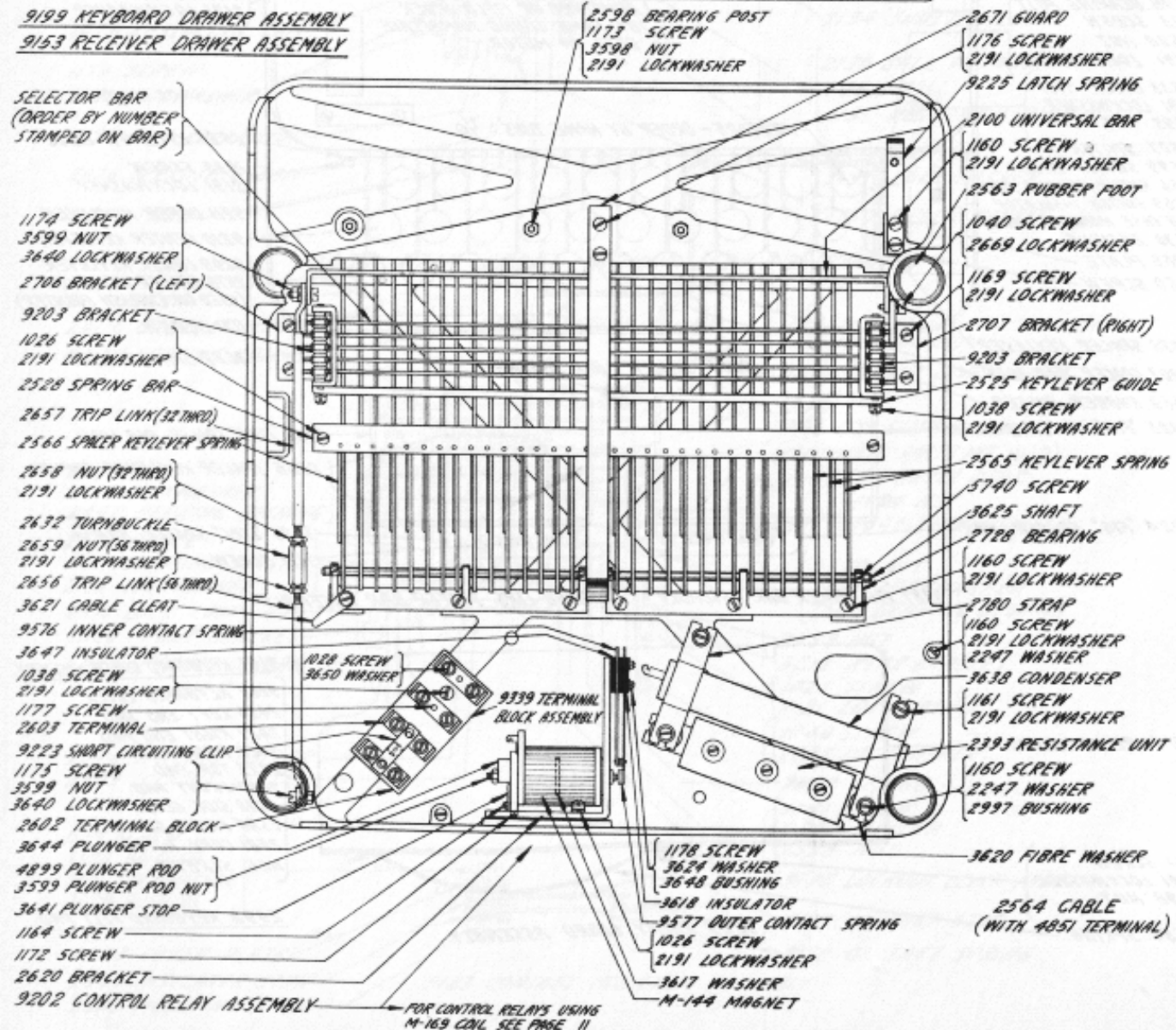
9184 TRANSMITTER ASSEMBLY

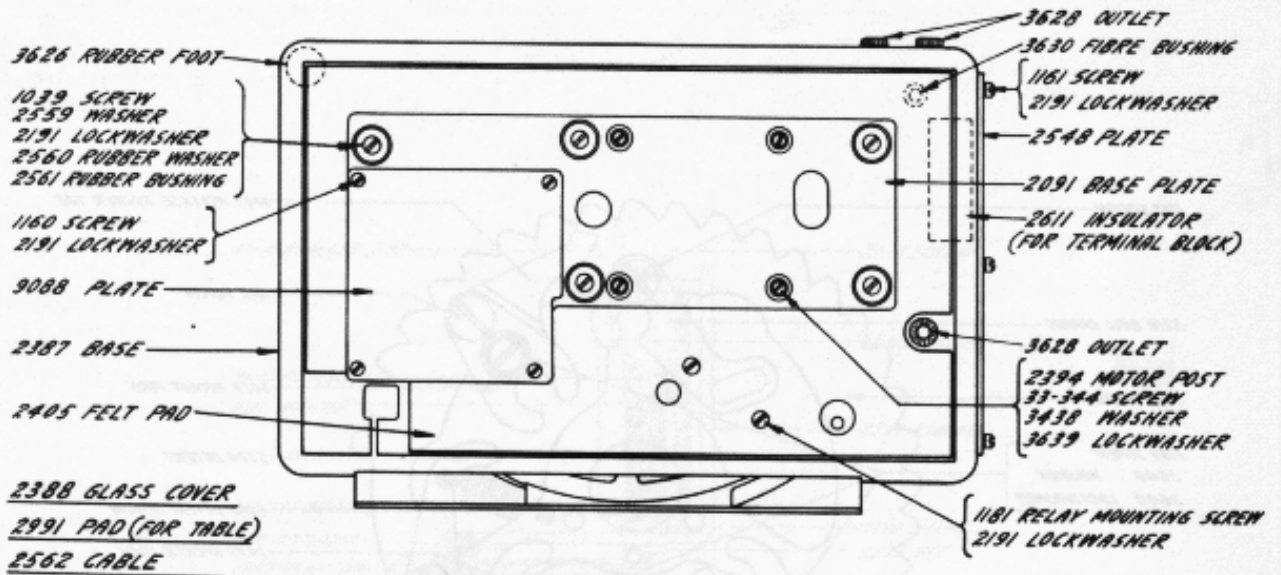


TAPE TELETYPE PARTS

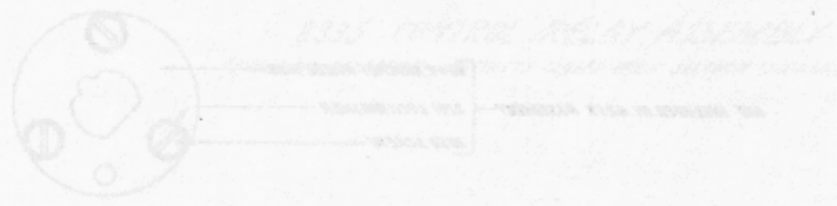
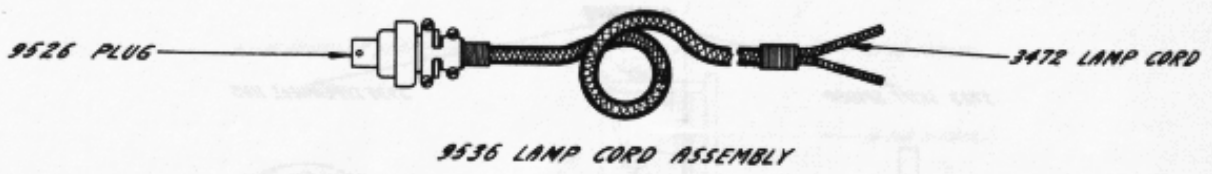


9199 KEYBOARD DRAWER ASSEMBLY
 9153 RECEIVER DRAWER ASSEMBLY

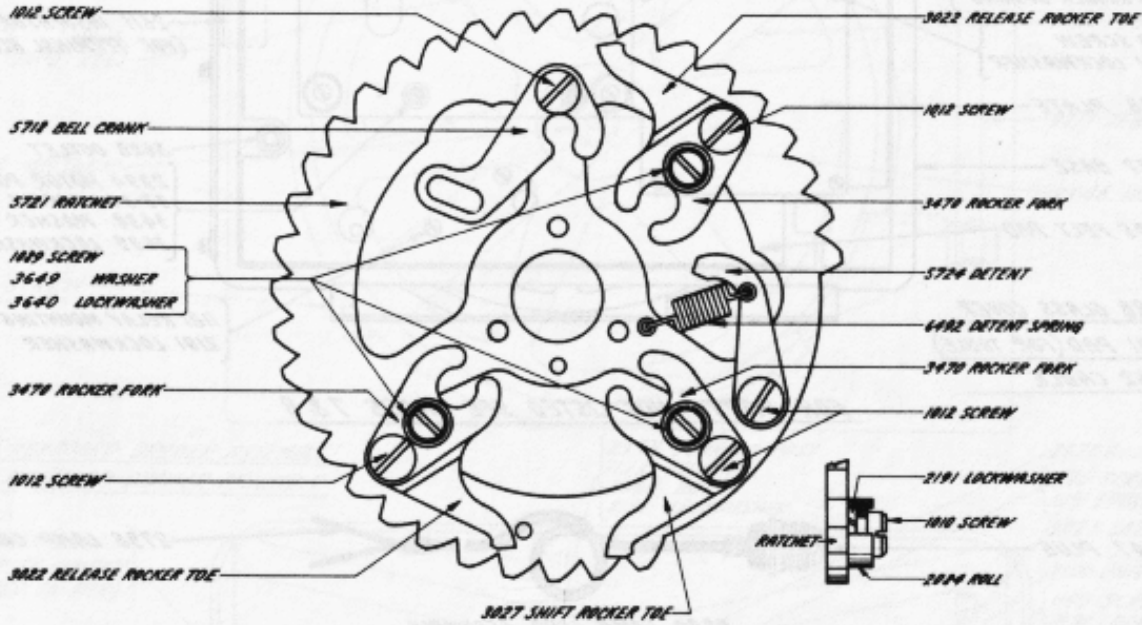




FOR PARTS NOT LISTED SEE PAGES 7 & 8



TAPE TELETYPE PARTS

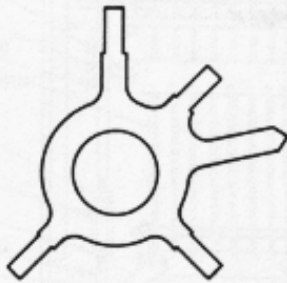


6257 RATCHET WHEEL ASSEMBLY

INCLUDING

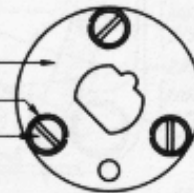
5723 SHIFT SPIDER

5938 TYPEWHEEL HUB

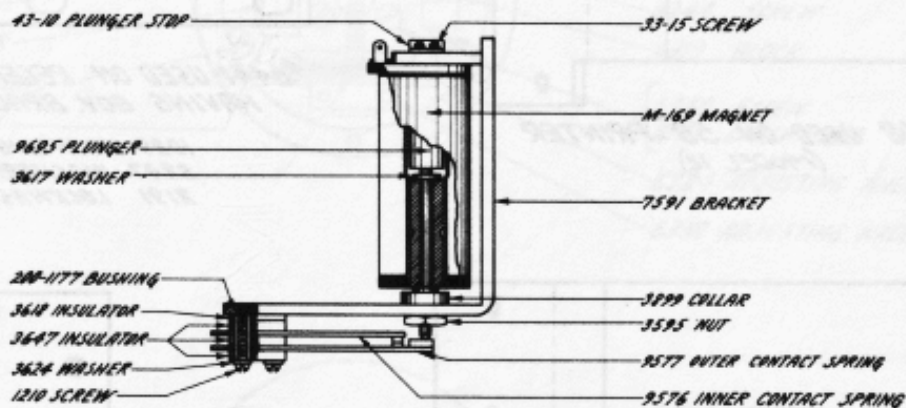


NOT INCLUDED IN 6257 ASSEMBLY

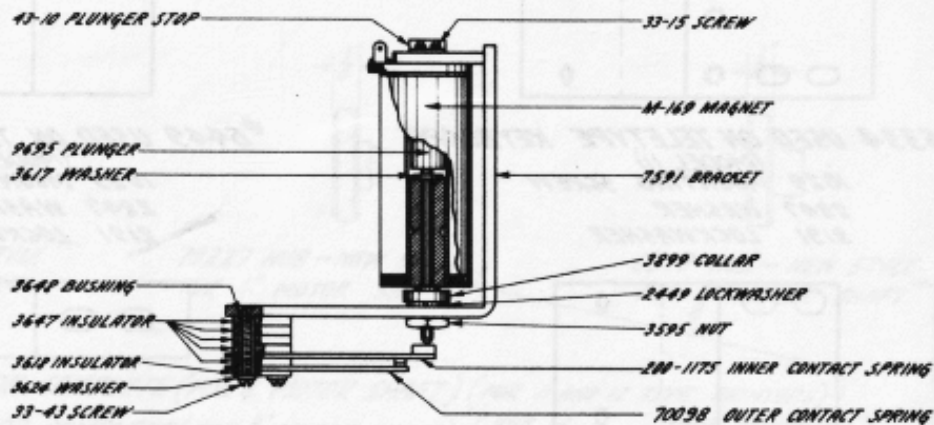
9047 RATCHET WHEEL HUB
 2191 LOCKWASHER
 1029 SCREW



TAPE TELETYPE PARTS

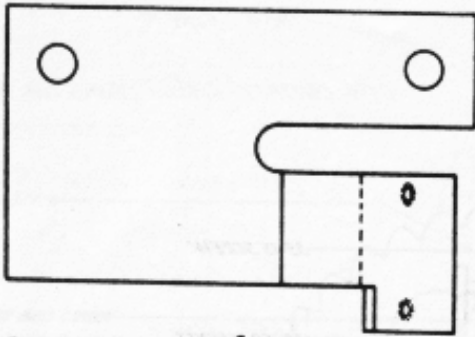


7592 CONTROL RELAY ASSEMBLY
 (FOR 50 MIL OPERATION, CONTACTS OPEN WHEN SOLENOID IS ENERGIZED)

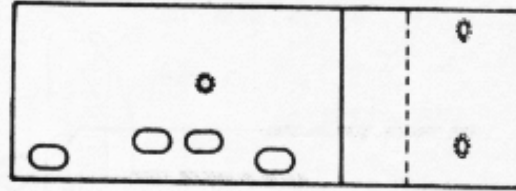


8335 CONTROL RELAY ASSEMBLY
 (FOR 65 MIL OPERATION, CONTACTS CLOSED WHEN SOLENOID IS ENERGIZED)

BRUSH HOLDER BRACKETS FOR 6300 AND 7485 GOVERNORS

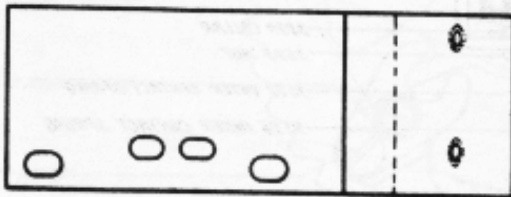


*6308 USED ON "58" PRINTER
(MODEL 12)



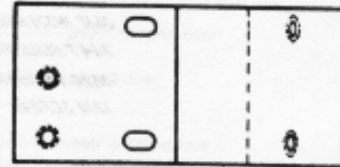
*6441 USED ON RECEIVER & KEYBOARD
HAVING GOV. BRACKET BOSS

1029 MOUNTING SCREW
2247 WASHER
2191 LOCKWASHER



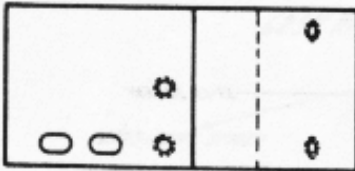
*6526 USED ON RADIO CONTROL RECEIVER

1121 MOUNTING SCREW
3438 WASHER
2669 LOCKWASHER



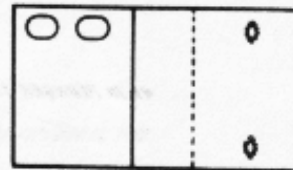
*6226 USED ON RECEIVER & KEYBOARD
HAVING NO GOV. BRACKET BOSS

1029 MOUNTING SCREW
2247 WASHER
2191 LOCKWASHER



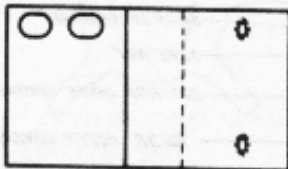
*6394 USED ON TELETYPE KEYBOARD
(MODEL 11)

1029 MOUNTING SCREW
2247 WASHER
2191 LOCKWASHER



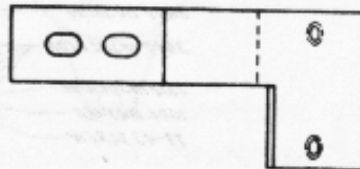
*6449 USED ON TELETYPE RECEIVER
(MODEL 11)

1029 MOUNTING SCREW
2247 WASHER
2191 LOCKWASHER



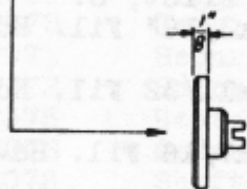
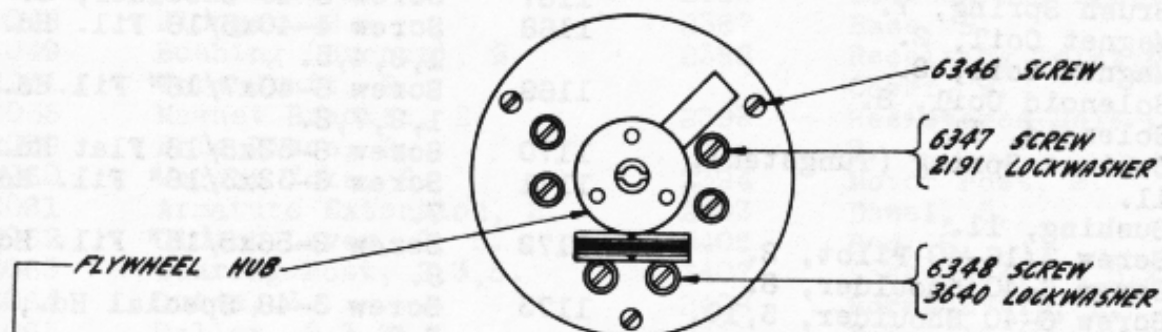
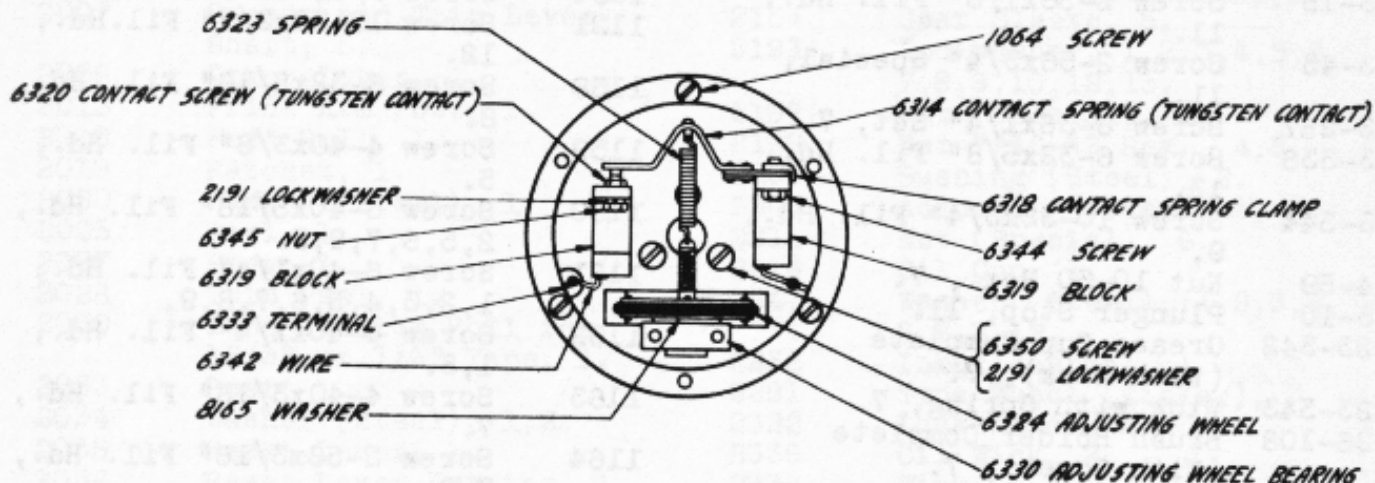
*6271 USED ON DISTRIBUTOR

1029 MOUNTING SCREW
2247 WASHER
2191 LOCKWASHER



*6885 USED ON MODEL 14 PRINTER UNIT

6746 MOUNTING SCREW
7002 WASHER
2191 LOCKWASHER



6304 HUB - OLD STYLE
FOR $\frac{1}{4}$ " MOTOR SHAFT



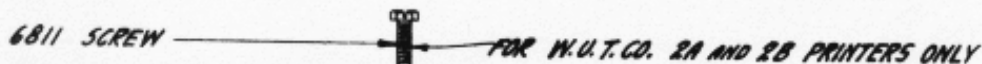
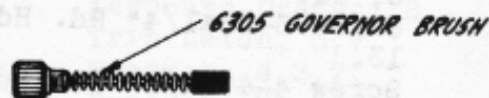
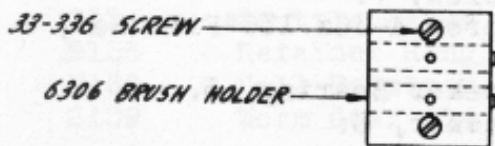
70227 HUB - NEW STYLE
FOR $\frac{1}{4}$ " MOTOR SHAFT



6979 HUB - NEW STYLE
FOR $\frac{3}{8}$ " MOTOR SHAFT

6300 GOVERNOR COMPLETE (FOR $\frac{1}{4}$ " MOTOR SHAFT) (FOR 11 AND 12 TYPE PRINTERS)
7485 GOVERNOR COMPLETE (FOR $\frac{3}{8}$ " MOTOR SHAFT) (FOR 14 TYPE PRINTERS AND W.U.T.CO. 2A AND 2B PRINTERS)

NOTE: GOVERNOR COMPLETE DOES NOT INCLUDE BRUSH HOLDER AND BRUSHES.



NUMERICAL INDEX

33-15	Screw 2-56x1/8" Fil. Hd., 11.	1094	Screw 3/16-40 Fil. Hd., 1.
33-43	Screw 2-56x3/4" Special, 11.	1121	Screw 10-32x3/8" Fil.Hd., 12.
33-257	Screw 8-36x1/4" Set, 7.	1158	Screw 6-32x5/16" Fil. Hd., 8.
33-336	Screw 6-32x5/8" Fil. Hd., 13.	1159	Screw 4-40x3/8" Fil. Hd., 5.
33-344	Screw 10-32x3/4" Fil. Hd., 9.	1160	Screw 6-40x5/16" Fil. Hd., 2,5,6,7,8,9.
34-59	Nut 10-30 Hex., 7.	1161	Screw 6-40x1/4" Fil. Hd., 1,2,3,4,5,6,7,8,9.
43-10	Plunger Stop, 11.	1162	Screw 4-40x1/4" Fil. Hd., 1,5.
123-342	Grease Cup Complete (With Wick), 7.	1163	Screw 4-40x3/16" Fil. Hd., 7.
123-343	Wick with Spring, 7.	1164	Screw 2-56x3/16" Fil. Hd., 7,8.
126-108	Brush Holder Complete (With Screw), 7.	1165	Screw 6-32x1/4" Fil. Hd., 7.
126-119	Brush Holder Cap Screw, 7.	1166	Screw 4-36x1/4 Flat Hd., 7.
126-123	Bushing, 7.	1167	Screw 6-40 Shoulder, 5.
126-126	Motor Brush, 7.	1168	Screw 4-40x5/16 Fil. Hd., 1,2,4,5.
126-127	Brush Spring, 7.	1169	Screw 6-40x7/16" Fil.Hd., 1,2,7,8.
M-135	Magnet Coil, 2.	1170	Screw 6-32x5/16 Flat Hd., 8.
M-136	Magnet Coil, 2.	1171	Screw 6-32x3/16" Fil. Hd., 7.
M-144	Solenoid Coil, 8.	1172	Screw 2-56x5/16" Fil. Hd., 8.
M-169	Solenoid, 11.	1173	Screw 3-48 Special Hd., 7,8.
200-1175	Contact Spring (Tungsten), 11.	1174	Screw 4-40 Shoulder, 8.
200-1177	Bushing, 11.	1175	Screw 6-40 Pilot, 8.
1000	Screw 3/16-40 Pilot, 2.	1176	Screw 6-40x3/16" Fil. Hd., 1,4,8.
1003	Screw 6-40 Shoulder, 6.	1177	Screw 4-40x11/32 Fil. Hd., 8.
1010	Screw 6-40 Shoulder, 3,10.	1178	Screw 2-56x7/16 Fil. Hd., 8.
1011	Screw 3/16-40 Shoulder, 1.	1179	Screw 6-40x5 5/8" Fil.Hd., 6,7.
1012	Screw 6-40 Shoulder, 3,10.	1180	Screw 4-40x7/16 Hex. Hd., 3.
1013	Screw 6-40 Pilot, 2,3,5.	1181	Screw 6-40x11/16 Fil.Hd., 9.
1014	Screw 3-56 Shoulder, 1.	1182	Screw 3/16-40x5/16" Hex. Hd., 1.
1021	Screw 6-40 Shoulder, 1.	1210	Screw 2-56x5/8" Fil. Hd., 11.
1026	Screw 6-40x3/8" Fil. Hd., 1,2,4,5,6,7,8.	1229	Screw 3-56 Shoulder, 1.
1028	Screw 4-40 Special, 2, 8.	1231	Screw Special, 7.
1029	Screw 6-40x7/16" Hex. Hd., 6,12.	1249	Screw, 7.
1037	Screw 6-40 Shoulder, 3.	1250	Screw 4-36x.156" Fil. Hd., 7.
1038	Screw 6-40x9/32" Fil.Hd., 1,2,4,5,7,8.	2003	Seeker Bearing, 5.
1039	Screw 6-40 Shoulder, 9.	2005	Seeker, 5.
1040	Screw 3/16-40 Pilot, 5, 6,7,8.		
1041	Screw 6-40 Shoulder, 6.		
1045	Screw 3/16-40 Shoulder, 4.		
1046	Screw 6-40 Shoulder, 4.		
1047	Screw 6-40 Shoulder, 4,5.		
1050	Screw 6-40x7/32" Fil.Hd., 3, 10.		
1064	Screw 6-32x1/4" Rd. Hd., 13.		
1089	Screw 4-40x1/8" Fil.Hd., 3, 10.		

NUMERICAL INDEX

2006	Trip Lever, 5.	2148	Worm Gear (16 teeth), 5.
2007	Seeker and Trip Lever Shaft, 5.	2154 2191	Gear Sleeve, 5.
2008	Inker Lever, 1.		Lockwasher, 1,2,3,4,5,6, 7,8,9,10,12,13.
2013	Print Arm Post, 1.	2197	Nut (Special), 4.
2018	Feed Roll, 1.	2199	Nut 7/16-32 Hex., 4,5.
2019	Ratchet, 1.	2205	Bushing (Steel), 2.
2020	Washer (Steel), 1.	2209	Adjusting Screw Nut, 2.
2025	Pawl, 1.	2211	Nut (Special), 6.
2027	Post, 1.	2214	Oil Cup, 1.
2028	Trip Pawl, 1.	2247	Washer (Steel), 1,2,3,4, 6,7,8,12.
2030	Tape Tension Roll for 15/32 or 1/2" Tape, 1.	2256	Inker Journal, 1.
2033	Post, 1.	2281	Type Wheel (Ticker), 3.
2034	Washer (Steel), 1,2.	2322	Lockwasher, 2.
2035	Reset Lever, 1.	2336	Oil Wick, 2.
2036	Reset Lever Bearing, 1.	2337	Wick, 1.
2038	Plunger Frame, 5.	2346	Anti-Freeze Strip, 2.
2042	Detent Plate, 5.	2378	Spacer Key Lever, 7.
2047	Cam Ring, 2.	2382	Lockwasher, 1,2,4,5,6,7.
2048	Plunger, 2.	2387	Base, 9.
2049	Bushing (Bronze), 2.	2388	Receiving Teletype Glass Cover, 9.
2051	Worm Shaft, 2.		Resistance Unit (1000 Ohm), 8.
2055	Magnet Bracket, 2.	2393	Motor Post, 9.
2059	Pole Piece, 2.		Dowel, 5.
2060	Magnet Yoke, 2.	2394	Pad, 9.
2061	Armature Extension, 2.	2403	Lockwasher, 4,5,6,7.
2062	Clutch Lever, 2, 5.	2405	Screw Strip, 2.
2063	Bearing Post, 2,3,5.	2407	Nut 3/16-40 Hex., 2,4.
2064	Guide, 3.	2408	Spring-Tension, 2,3.
2065	Roller, 2,3,5.	2411	Spring-Tension, 1.
2068	Toggle Lever, 3.	2413	Spring-Tension, 1.
2069	Toggle Link, 3.	2414	Spring-Tension, 1.
2070	Gear, 4, 6.	2415	Spring-Tension, 1.
2071	Separator Plate, 6.	2416	Spring-Tension, 1.
2072	Ratchet Wheel, 3.	2418	Spring-Compression, 4.
2075	Restoring Cam, 6.	2419	Spring-Tension, 3.
2076	Operating Cam, 6.	2420	Spring-Compression, 6.
2078	Shift Lever Detent, 3.	2421	Spring-Tension, 1.
2079	Shift Rocker, 3.	2424	Seeker Stop, 5.
2084	Roller, 3, 10.	2425	Spring-Compression, 5.
2085	Shift Lever Hub Sleeve, 3.	2426	Left End Pad, 7.
		2427	Right End Pad, 7.
2088	Tie Rod, 1.	2428	Rear Pad, 7.
2089	Cam, 4, 5.	2429	Top Pad, 7.
2091	Base Plate, 9.	2430	Front Pad, 7.
2092	Coupling, 2.	2438	Washer (Brass), 2.
2100	Universal Bar, 8.	2449	Lockwasher, 1,2,11.
2127	Cam Separator, 5, 6.	2451	Ball, 6.
2128	Plunger Frame Brace, 1, 5.	2477	Toggle Latch, 3.
2129	Receiver Drawer, 8.	2478	Spring Bracket, 3.
2134	Shuttle Lever, 6.	2481	Collar, 3.
2135	Retainer Ring, 6.	2487	Keyboard Drawer, 8.
2136	Ball Retainer, 6.	2495	Trip Latch, 5,7.
2139	Worm Gear (14 teeth), 4.	2496	Bracket, 4,5,7.
		2497	Bracket, 7.

NUMERICAL INDEX

2500	Front Bracket, 6.	2647	Filler Washer, 4.
2501	Brace, 6.	2648	Clutch Disc, 5.
2502	Mounting Strip, 6.	2649	Reset Lever, 4.
2503	Cover Plate, 6.	2650	Stop Pin, 4.
2504	Insulator Strip, 6.	2651	Reset Pin, 4.
2508	Contact Lever, 6.	2652	Pawl, 4.
2509	Lockout Lever, 6.	2653	Spring Compression, 4.
2510	Lock Loop, 6.	2654	Roller, 4,5.
2524	Spring Post, 1.	2656	Trip Link - 56 Thread, 8.
2525	Key Lever Guide, 7,8.	2657	Trip Link - 32 Thread, 8.
2526	Collar, 6.	2658	Nut 6-32 Hex., 8.
2528	Spring bar, 8.	2659	Nut 6-56 Hex., 8.
2529	Bushing (Fibre), 6.	2663	Rubber Buffer, 7.
2530	Shaft, 7.	2666	Nut 3/16-40 Hex., 4.
2531	Guide, 2,5.	2669	Lockwasher, 4,8,12.
2535	Spacing Collar, 6.	2671	Guard, 8.
2539	Nut 3/8-32 Hex., 6,7.	2673	Driving Disc Centering Ring, 4.
2540	Bushing (Bronze), 6,7.	2674	Fibre Disc, 4.
2543	Washer (Brass), 8.	2706	Bracket - Left, 8.
2546	Wooden Filler, 8.	2707	Bracket - Right, 8.
2548	Plate, 9.	2709	Washer (Fibre), 4.
2550	Spring - Flat, 7.	2728	Keylever Bearing, 8.
2559	Washer (Steel), 9.	2731	Inker Lever Bracket, 1.
2560	Washer (Rubber), 9.	2735	Spring - Compression, 5.
2561	Bushing - Rubber, 9.	2741	Post, 5.
2562	Receiving Teletype Cable, 9.	2742	Filler Washer, 2.
2563	Rubber Foot, 8.	2754	Bushing (Steel), 7.
2564	Keyboard Teletype Cable, 8.	2757	Filler Washer, 6.
2565	Key Lever Spring, 8.	2760	Spring - Tension, 2,5.
2566	Spacer Key Lever Spring, 7,8.	2779	Filler Washer, 7.
2574	Upstop, 7.	2780	Strap, 8.
2578	Side Glass, 7.	2798	Cord, 9.
2580	Front Glass, 7.	2833	Stop Pin, 7.
2581	Copy Holder, 7.	2836	Spring-Tension, 3.
2582	Roller, 6.	2847	Plug, 9.
2583	Type Wheel (Industrial), 3.	2859	Switch Insulator, 7.
2598	Spacer Bar Standard, 7,8.	2991	Receiver Pad, 9.
2602	Terminal Block, 8.	2992	Keyboard Felt Pad, 7.
2603	Terminal, 8.	2997	Bushing (Fibre), 8.
2605	Spring - Tension, 1.	3000	Tension Roll for 3/8 Tape, 1.
2611	Insulator, 9.	3022	Rocker Toe, 3,10.
2614	Relay Guard, 7.	3024	"Fig." Spacer Bar, 7.
2619	Oil Wick, 5.	3025	"Ltrs." Spacer Bar, 7.
2620	Bracket, 8.	3027	Rocker Toe, 3,10.
2623	Spring-Tension, 6.	3438	Washer (Steel), 1,9,12.
2624	Driven Disc, 4.	3470	Rocker Fork, 3,10.
2625	Fibre Disc, 4.	3472	Lamp Cord, 9.
2626	Driving Disc, 4.	3594	Bevel Gear, 5,6,7.
2628	Spring Washer, 4.	3595	Nut 1/4-32 Hex., 1,2,6,11.
2629	Plate, 4.	3598	Nut 6-40 Hex., 1,2,5,6,7,8.
2631	Reset Cam, 4.	3599	Nut 4-40 Hex., 2,3,7,8.
2632	Turn Buckle, 8.	3600	Nut 3/16-40 Hex., 1,2,3,5.
2633	Oil Wick, 4.	3604	Nut 5/32-40 Hex., 6,7.
		3606	Nut 6-40 Hex., 4.
		3607	Nut 5/16-32 Hex., 2,6.

NUMERICAL INDEX

3610	Spring-Tension, 5.	6324	Adjusting Wheel Assembly, 13.
3611	Spring-Compression, 2, 5.		
3617	Washer, 8, 11.	6330	Adjusting Wheel Bearing, 13.
3618	Insulator, 8, 11.		
3620	Washer (Fibre), 8.	6333	Terminal, 13.
3621	Terminal, 8.	6334	Brush Holder Bracket, 12.
3624	Washer (Brass), 6, 8, 11.	6342	Commutator Terminal Wire, 13.
3625	Key Lever Bearing Shaft, 8.		
3626	Rubber Foot, 9.	6344	Screw 6-32x11/32" Hex. Hd., 13.
3627	Bar, 7.		
3628	Outlet Bushing, 7, 9.	6345	Nut 6-32 Hex., 13.
3629	Collar, 7.	6346	Screw 6-32x3/4" Fil.Hd., 13.
3630	Outlet Bushing, 7, 9.		
3638	1/2 M.F. Condenser, 8.	6347	Screw 6-32x3/8" Rd.Hd., 13.
3639	Lockwasher, 1, 2, 3, 5, 9.	6348	Screw 4-36x3/4" Rd.Hd., 13.
3640	Lockwasher, 1, 2, 3, 4, 5, 8, 10, 13.	6350	Screw 6-32x7/16 Rd.Hd., 13.
		6441	Brush Holder Bracket, 12.
3641	Plunger Stop, 8.	6449	Brush Holder Bracket, 12.
3644	Magnet Plunger, 8.	6492	Spring-Tension, 10.
3646	Lockwasher, 6, 7.	6526	Brush Holder Bracket, 12.
3647	Insulator (Fibre), 8, 11.	6746	Screw 6-40x5/16" Hex.Hd., 12.
3648	Bushing (Fibre), 8, 11.		
3649	Washer (Steel), 3, 5, 10.	6811	Screw 6-40x5/8" Hex.Hd., 13.
3650	Washer (Brass), 8.	6885	Brush Holder Bracket, 12.
3899	Collar, 11.	6979	Governor Hub, 13.
4845	Guide Post 3/8" Tape, 1.	7002	Washer (Steel), 12.
4846	Guide Post 15/32" Tape, 1.	7485	Governor Complete, 13.
4847	Guide Post 1/2" Tape, 1.	7591	Bracket, 11.
4851	Terminal on Cable, 8.	7592	Control Relay Assembly, 11.
4899	Plunger Rod, 8.	8165	Spring Washer, 13.
5473	Nut 3-56 Hex., 1.	8335	Control Relay Complete, 11.
5475	Nut 3/16-40 Hex., 1.	9004	Print Roll, .270", 1.
5718	Bell Crank, 10.	9006	Selector Plunger, 5.
5721	Ratchet, 10.	9009	Main Shaft, 6.
5723	Shift Spider, 10.	9015	Shaft With Cam, 5.
5724	Shift Detent, 10.	9021	Tape Reel, 8.
5740	Screw 2-56x1/4" Fil. Hd., 8.	9022	Reel Pivot Support, 8.
		9023	Ball Bearing Complete 7/16", 1.
5762	Switch Plate, 7.		
5938	Typewheel Hub, 10.	9024	Ball Bearing Complete 5/16", 2.
6226	Brush Holder Bracket, 12.		
6271	Brush Holder Bracket, 12.	9025	Tension Lever, 1.
6257	Ratchet Wheel Assembly, 10.	9028	Adjusting Screw, 2.
		9030	Adjusting Arm with Sleeve, 6.
6300	Governor Assembly, 13.	9044	Selector Detent, 5.
6304	Flywheel Hub, 13.	9068	Front Bracket, 1.
6305	Governor Brush Complete, 13.	9069	Rear Bracket with Bushing, 2.
		9073	Main Shaft with Sleeve, 6.
6306	Brush Holder, 13.	9074	Selector Lever A, 2.
6308	Brush Holder Bracket, 12.	9075	Selector Lever B, 2.
6314	Contact Spring Complete (Tungsten), 13.	9076	Selector Lever C, 2.
		9079	Gear Sleeve with Dowel, 5.
6318	Contact Spring Clamp, 13.	9081	Seeker Assembly, 5.
6319	Contact Spring Block, 13.	9087	Selector Plunger Assembly, 5.
6320	Contact Screw Assembly (Tungsten), 13.	9088	Plate, 2, 9.
		9089	Shift Lever Hub, 3.
6323	Spring-Tension, 13.	9090	Ratchet Wheel Assembly, 3.

NUMERICAL INDEX

9096	Hub, 6.	9240	Drive Hub, 7.
9098	Rear Combiner Wheel (with Dowels), 6.	9243	Sleeve with Flange, 4.
9103	Roller, 6.	9244	Ball Bearing 5/16", 4, 5.
9153	Receiver Drawer Assembly, 8.	9247	Ratchet Wheel Hub, 3, 10.
9160	Magnet Armature, 2.	9248	Black Inkers (Bottle of 12), 1.
9162	Clutch Lever, 3.	9261	Ball Bearing 7/16", 2, 4, 5.
9172	Front Combiner Wheel (with Plugs), 6.	9262	Bracket, 4.
9175	Lockout Lever Shaft, 6.	9263	Bearing Bracket, 2.
9176	Cam Shaft Assembly, 6.	9264	Tape Guide, 1.
9177	Contact Stop, 6.	9270	Print Roll .275", 1.
9178	Contact Spring, 6.	9271	Print Roll .280", 1.
9181	Keyboard Cover Complete, 7.	9280	Cord Assembly, 9.
9182	Contact Lever Shaft, 6.	9305	Printing Arm, 1.
9183	Contact Mounting Assembly, 6.	9307	Switch, 7.
9184	Transmitter Assembly, 6.	9339	Terminal Block Complete, 8.
9191	Clutch Shaft Bracket, 5.	9345	Purple Inkers (Bottle of 12), 1.
9199	Keyboard Drawer Assembly, 8.	9383	Shift Release Lever Hub (English), 3.
9200	Base Casting with Up-Stop, 7.	9384	Ratchet Wheel Assembly (English), 3.
9202	Control Relay Assembly, 8.	9385	"FIGS." Spacer Bar Loop, 7.
9203	Bracket Assembly, 8.	9386	"LTRS." Spacer Bar Loop, 7.
9205	Spacer Bar Assembly, 7.	9387	"FIGS." Spacer Bar Assembly, 7.
9207	Spacer Bar Loop, 7.	9388	"LTRS." Spacer Bar Assembly, 7.
9208	Keyboard Cover, 7.	9502	Print Roll, .285", 1.
9209	Lower Key Lever, 7.	9503	Print Roll, .290", 1.
9210	Center Key Lever, 7.	9526	Plug, 9.
9211	Upper Key Lever, 7.	9536	Lamp Cord with Plug, 9.
9212	Rear Bracket, 6.	9573	Screw with Swivel, 1.
9215	Throwout Lever, 5.	9576	Contact Spring, 8, 11.
9217	Tension Spring, 8.	9577	Contact Spring with Fibre Block, 8, 11.
9223	Short Circuiting Clip, 8.	9599	Case, 7.
9225	Latch Spring, 8.	9695	Plunger, 11.
9229	Relay Guard, 7.	9922	Oiler, 2.
9232	Shaft, 4.	70098	Contact Spring, 11.
9239	Hub, 4.	70227	Flywheel Hub, 13.